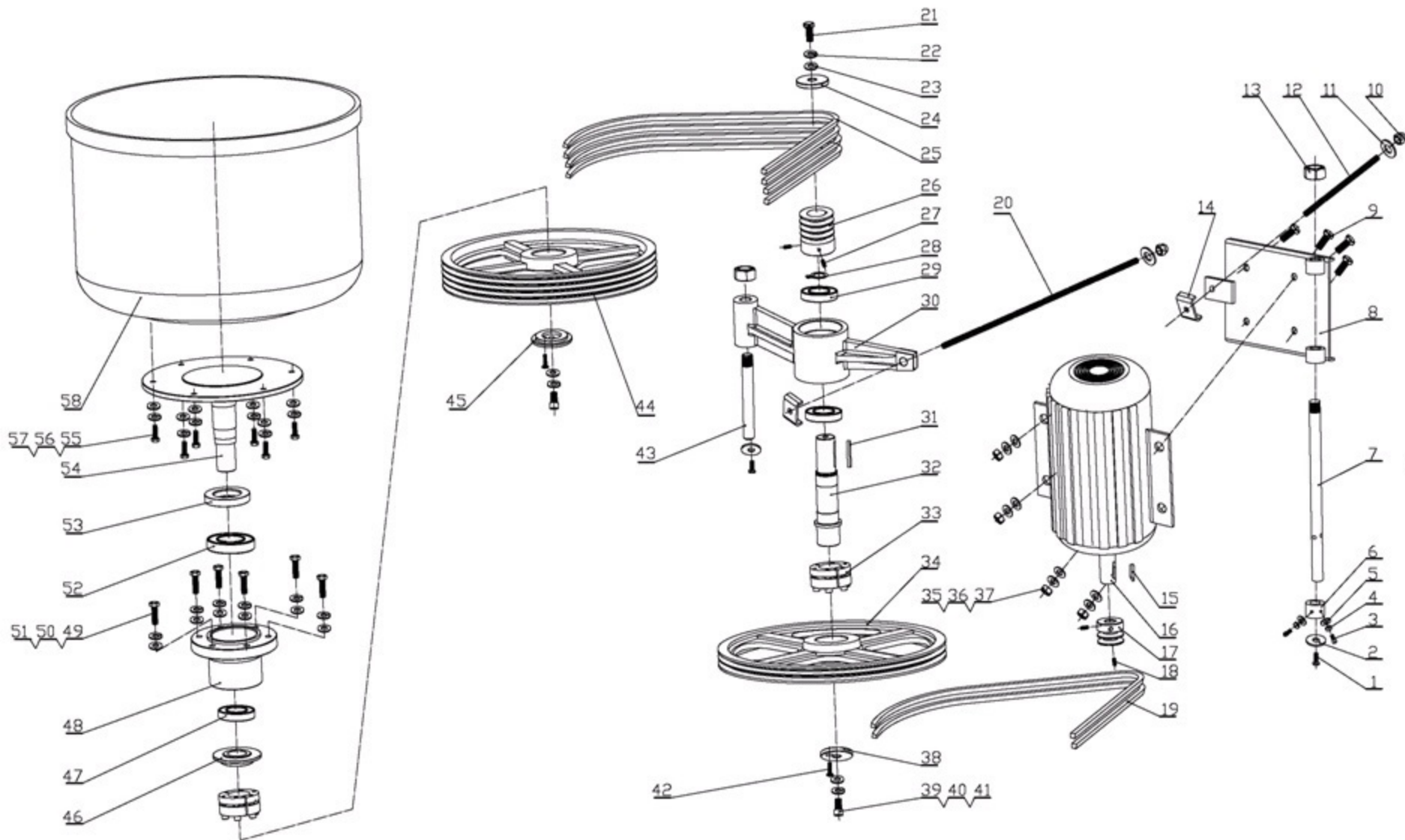
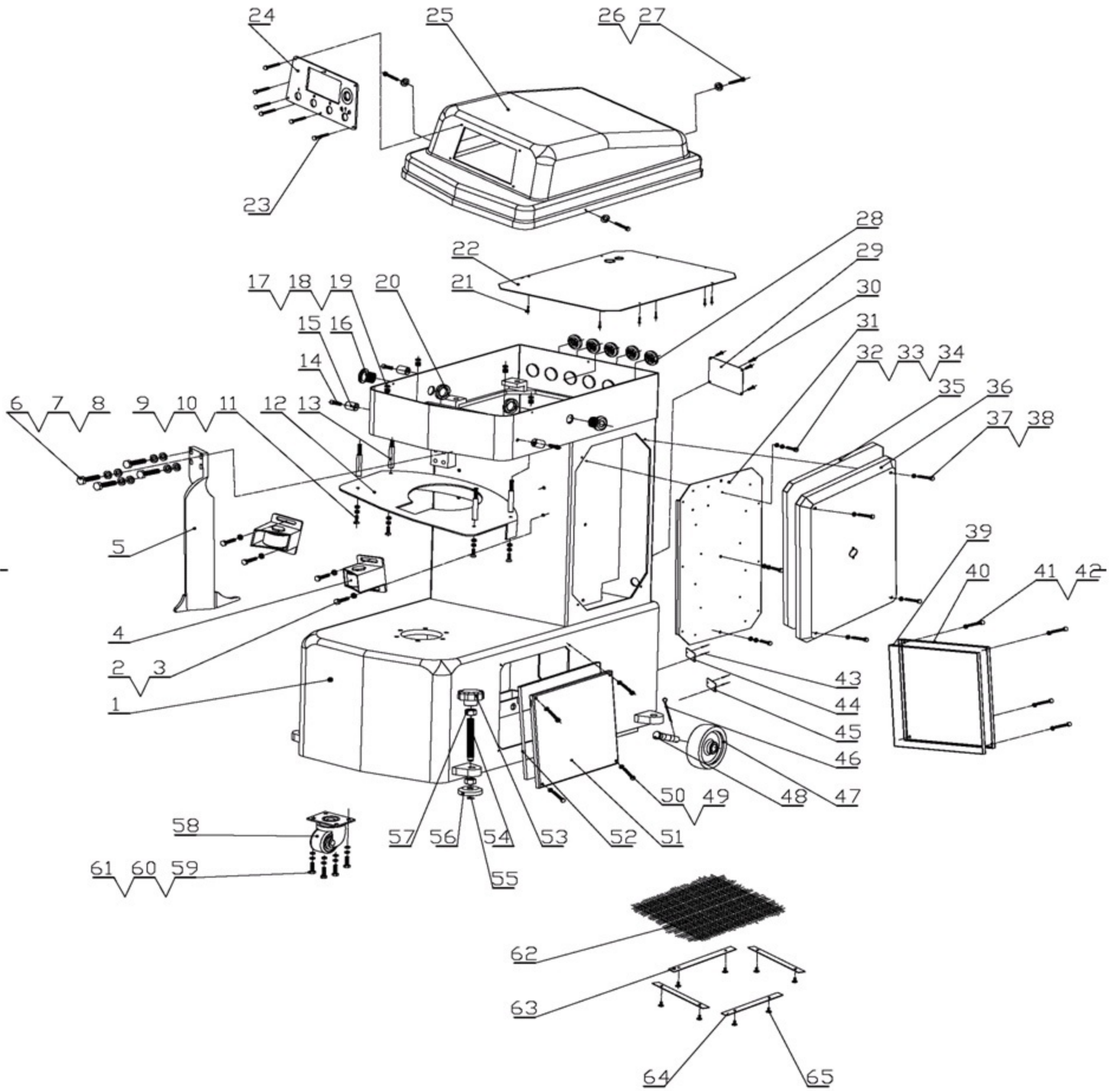


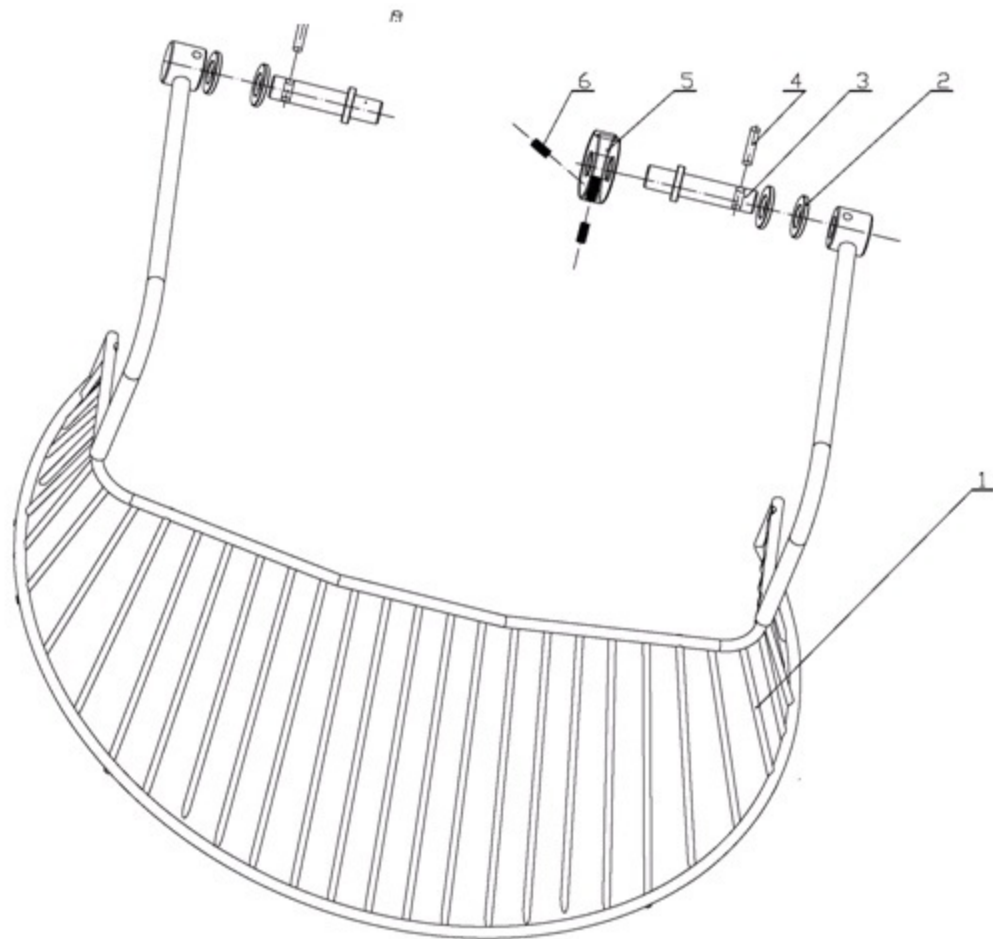
PSM50 - SPIRAL BOWL ROTARY PARTS



PSM50 - BODY PARTS



PSM50 - PROTECTIVE COVER PARTS



ROTARY PARTS

Item #	Part #	Description	
1	01PSM1284	#50501059 MOTOR 380V/50HZ B14	
1	01PSM1285	#50501060 MOTOR 400V/50HZ B14	
1	01PSM1298	#50501083 MOTOR 415V/50HZ B14	
1	01PSM1299	#50501084 MOTOR 220V/60HZ B14	
1	01PSM1310	#50501128 MOTOR 380V/60HZ B14	
1	01PSM1313	#50501140 MOTOR 208V/60HZ B14	
1	01PSM1314	#50501147 MOTOR 40V/60HZ B14	
2	01PSM1364	#50313074 FLAT KEY 8X60	attached with Motor
3	01PSM1271	#50405360 SETTING BOARD FOR MOTOR	
4	01P630	#50303042 Hex bolts M12x30	
5	01P391	#50307007 #91 SPACER	
6	01P375	#50308007 #75 SPRING WASHERS	
7	01PSM1152	#50303033 HEX BOLT M10X35	
8	01P154	#50308006 #54 SPRING WASHER	
9	01PSM1217	#50307017 LARGE WASHER F10 C CLASS	
10	01P374	#50304007 #74 NUT	
11	01PSM1021	#41300500 SUPPORT	
12	01PSM1159	#50303048 BOLTS M12X70	
13	01PSM1208	#50305135 SOCKET HEAD CAP SCREWS M5X12	
14	01PSM1022	#41300600 BELT WHEEL OF MOTER	用于50Hz电机
14	01PSM1049	#41305400 HALF-AXIS BELT WHEEL	用于60Hz电机
15	01PSM1137	#50302023 BELT XPZ1262	用于50Hz电机
15	01PSM1139	#50302025 BELT 21PJ1250	用于60Hz电机
16	01PSM1178	#50303095 HEX BOLT M10X25	
17	01P177	#50307006 #77 SPACER	
18	01P154	#50308006 #54 SPRING WASHER	
19	01PSM1174	#50303079 SOCKET HEAD CAP SCREWS M6X15	
20	01PSM1023	#41300700 SHAFT COVER	
21	01PSM1025	#41300900 BELT WHEEL OF MAIN SHAFT FOR 50HZ	用于50Hz电机
21	01PSM1050	#41305500 HALF-AXIS BELT WHEEL FOR 60HZ	用于60Hz电机
22	01P741	#50399019 CONNECTING SET 35X60	
23	01PSM1024	#41300800 CLAMP PLATE	
24	01P184	#50301010 BEARING 6208	
25	01PSM1152	#50303033 HEX BOLT M10X35	
26	01P154	#50308006 #54 SPRING WASHER	
27	01P177	#50307006 #77 SPACER	
28	01PSM1026	#41301000 MAIN SHAFT BEARING SEAT	
29	01P187	#50301019 BEARING 33209	
30	01PSM1027	#41301100 CLAMP PLATE 13.5	
31	01PSM1028	#41301200 MAIN SHAFT	

32	01PSM1240	#50399018 SEALING RING	
33	01PSM1053	#41307800 DECORATIVE COVER	
34	01P800	#41301400 #31 HOOK FOR PSM-40 PSM-50	
35	01PSM1172	#50303075 S.S. HEX BOLT M12X50	
36	01PSM1224	#50308015 S.S. SPRING WASHER F12	
37	01PSM1216	#50307016 S.S. FLAT PAD F12	
38	01PSM1173	#50303076 S.S. HEX BOLT M12X55	
39	01PSM1224	#50308015 S.S. SPRING WASHER F12	
40	01PSM1216	#50307016 S.S. FLAT PAD F12	

SPIRAL BOWL ROTARY PARTS

1	01PSM1149	#50303028 HEX BOLT M10X16	
2	01PSM1217	#50307017 LARGE WASHER F10 C CLASS	
3	01P788	#50303086 SOCKET HEAD CAP SCREW M8X25 FOR PSM25	
4	01P108	#50304005 #8 NUT	
5	01P136	#50308005 #36 SPRING WASHER	
6	01PSM1061	#41501700 PIN SETS	
7	01PSM1029	#41301800 SPINDLE FOR MOTOR	
8	01PSM1274	#50405363 MOTOR INSTALL SEAT	
9	01PSM1151	#50303031 HEX BOLT M10X30	
10	01PSM1185	#50304030 NUT M10	
11	01PSM1254	#50405039 PLATE	
12	01PSM1063	#41502300 SHORT STEM	
13	01PSM1183	#50304013 NUT M20	
14	01PSM1259	#50405104 STEM SUPPORT	
15	01PSM1365	#50313077 FLAT KEY 6X40	attached with Motor
16	01PSM1291	#50501069 MOTOR 0.55KW 400V/50HZ B3	
16	01PSM1292	#50501071 MOTOR 0.55KW 380V/50HZ B3	
16	01PSM1317	#50501153 MOTOR 0.55KW 220V/50HZ B3	
16	01PSM1315	#50501148 MOTOR 0.55KW 440V/60HZ B3	
16	01PSM1301	#50501096 MOTOR 0.55KW 380V/60HZ B3	
16	01PSM1297	#50501080 MOTOR 0.55KW 220V/60HZ B3	
16	01PSM1300	#50501086 MOTOR 0.55KW 415V/50HZ B3	
17	01PSM1065	#41502800 BELT WHEEL OF BOWL MOTER	
18	01PSM1198	#50305073 SOCKET HEAD CAP SCREW M8X15	
19	01PSM1143	#50302048 BELT SPZ1390	
20	01PSM1030	#41302100 LONG STEM	
21	01PSM1178	#50303095 HEX BOLT M10X25	
22	01P154	#50308006 #54 SPRING WASHER	
23	01P177	#50307006 #77 SPACER	
24	01PSM1031	#41302200 SHAFT COVER	
25	01PSM1134	#50302019 BELT SPZ1400	
26	01PSM1032	#41302300 SMALL BELT WHEEL OF SHAFT	

27	01PSM1202	#50305100 SOCKET HEAD CAP SCREW M6X10	
28	01PSM1231	#50312020 SHAFT RING 40	
29	01P184	#50301010 BEARING 6208	
30	01PSM1067	#41503000 DRIVER SHAFT BEARING SEAT	
31	01PSM1236	#50313047 FLAT KEY A8X50	
32	01PSM1034	#41302500 ACTIVE SHAFT	
33	01P741	#50399019 CONNECTING SET 35X60	
34	01PSM1035	#41302600 BIG BELT WHEEL OF SHAFT	
35	01P178	#50304006 #78 NUT	
36	01P177	#50307006 #77 SPACER	
37	01P154	#50308006 #54 SPRING WASHER	
38	01PSM1023	#41300700 SHAFT COVER	
39	01PSM1178	#50303095 HEX BOLT M10X25	
40	01P177	#50307006 #77 SPACER	
41	01P154	#50308006 #54 SPRING WASHER	
42	01PSM1174	#50303079 SOCKET HEAD CAP SCREWS M6X15	
43	01PSM1036	#41302700 AXIS OF BEARING SET	
44	01PSM1037	#41302800 BELT WHEEL	
45	01PSM1051	#41307600 BARREL SHAFT COVER	
46	01P803	#41307500 POSITIONING SLEEVE	
47	01P184	#50301010 BEARING 6208	
48	01PSM1038	#41302900 BOW SHAFT BEARING SEAT	
49	01PSM1168	#50303070 S.S. HEX BOLT M10X35	
50	01PSM1215	#50307015 S.S. FLAT PAD F10	
51	01PSM1223	#50308014 S.S. SPRING WASHER F10	
52	01P187	#50301019 BEARING 33209	
53	01P804	#41303000 CLAMP PLATE 6.0	
54	01PSM1039	#41303100 BOWL SHAFT	
55	01PSM1166	#50303067 S.S. HEX BOLT M8X25	
56	01P704	#50307014 STAINLESS STEEL FLAT WASHER 8	
57	01P706	#50308013 STAINLESS STEEL SPRING WASHER 8	
58	01PSM1247	#50401025 BOWL	

BODY PARTS

1	01PSM1033	#41302409 CHASSIS SUNBASSEMBLY	
2	01PSM1164	#50303065 S.S. HEX BOLT M8X16	
3	01P704	#50307014 STAINLESS STEEL FLAT WASHER 8	
4	01PSM1370	#41307900 BLOCK WHEEL SUBASSEMBLY PSM50	
4	01PSM1277	#50405367 BLOCK WHEEL SET	
4	01PSM1075	#41504200 BLOCK WHEEL BOLT	
4	01PSM1076	#41504300 BLOCK WHEEL SHAFT	
4	01PSM1270	#50405208 BLOCK WHEEL BODY	
4	01P124	#50301004 #24 BEARING	
5	01PSM1042	#41303700 FIXED BLOCK SHAFT	

6	01PSM1167	#50303069 S.S. HEX BOLT M10X30	
7	01PSM1223	#50308014 S.S. SPRING WASHER F10	
8	01PSM1215	#50307015 S.S. FLAT PAD F10	
9	01PSM1195	#50305038 S.S. PHILIPS SCREW M6X10	
10	01PSM1214	#50307013 BOM??	
11	01PSM1222	#50308012 BOM??	
12	01PSM1040	#41303500 BACK PROTECT GUARD	
13	01PSM1041	#41303600 SCREW	
14	01PSM1179	#50303108 S.S. SOCKET HEAD CAP SCREW M8X25	
15	01PSM1078	#41504600 PIN SETS	
16	01PSM1046	#41304400 FIXED PIN SETS	
17	01P108	#50304005 #8 NUT	
18	01P136	#50308005 #36 SPRING WASHER	
19	01P469	#50307005 FLAT WASHER N8	
20	01PSM1186	#50304035 NUT M25X1.5	
21	01PSM1200	#50305080 PHILIPS SCREW ST4.2X19	
22	01PSM1045	#41304000 HOUSING COVER BOARD	
23	01PSM1205	#50305113 S.S. PHILIPS SCREW ST4.2X19	
24	01PSM1249	#50402053 CONTROL PANNEL	
25	01PSM1052	#41307700 TOP COVER	
26	01PSM1193	#50305031 S.S. PHILIPS SCREW M4X20	
27	01PSM1257	#50405100 NYLON FLAT PAD F4	
28	01PSM1256	#50405055 HOLE COVER	
29	01PSM1251	#50402068 BRAND	
30	01P490	#50305027 Philips screw M4x6	
31	01PSM1262	#50405115 ELECTRICAL INSTALLATION	
32	01P649	#50305023 Philips screw M6x20	
33	01P474	#50307004 Flat washer 6	
34	01P495	#50308004 Spring washer 6	
35	01PSM1242	#50399021 SEALING TAPE	
36	01PSM1260	#50405110 ELECTRONIC CONTROL PANEL	
37	01PSM1162	#50303063 S.S. HEX BOLT M5X45	
38	01PSM1213	#50307012 S.S. FLAT PAD F5	
39	01PSM1242	#50399021 SEALING TAPE	
40	01PSM1261	#50405111 VIEW SETTING BOARD	
41	01PSM1161	#50303060 S.S. HEX BOLT M5X20	
42	01PSM1213	#50307012 S.S. FLAT PAD F5	
43	01PSM1226	#50309002 BLIND RIVETS ?3.7*9	
44	01PSM1252	#50402101 MARK	
45	01PSM1253	#50402102 MARK	
46	01PSM1209	#50306044 PIN 4X50	
47	01PSM1238	#50399013 INDUSTRIAL WHEELS	
48	01PSM1082	#41505500 WHEEL SHAFT	
49	01PSM1161	#50303060 S.S. HEX BOLT M5X20	
50	01PSM1213	#50307012 S.S. FLAT PAD F5	
51	01PSM1261	#50405111 VIEW SETTING BOARD	
52	01PSM1242	#50399021 SEALING TAPE	
53	01PSM1283	#50405512 HANDLE M16	

54	01PSM1044	#41303900 ADJUST FEET SUPPPORT STEM	
55	01P157	#50312002 #57 CIRCLIPS FOR SHAFT	
56	01PSM1043	#41303800 ADJUST FEET SUPPPORT COVER	
57	01PSM1187	#50304039 NUT M16	
58	01PSM1237	#50399011 INDUSTRIAL FEET WHEELS	
59	01P541	#50303020 GB5783-86	
60	01P136	#50308005 #36 SPRING WASHER	
61	01P469	#50307005 FLAT WASHER N8	
62	01PSM1121	#50199033 S.S. WIRE MESH	
63	01PSM1281	#50405376 RODENT NETWORK LAYERING	
64	01PSM1282	#50405377 RODENT NETWORK LAYERING	
65	01P543	#50305035 GB 818 -85	

PROTECTIVE COVER PARTS

1	01PSM1047	#41305200 FRONT PROTECT GUARD	
2	01PSM1263	#50405124 PLATE	
3	01PSM1085	#41506200 PIN	
4	01PSM1210	#50306053 PIN 4X30	
5	01PSM1048	#41305300 SWITCH BLOCK WHEEL	
6	01PSM1208	#50305135 SOCKET HEAD CAP SCREWS M5X12	

ELEC. COMPONENTS

1	01PSM1338	#50506012 BUTTON ZB2BZ105C	Stop button assembly
2	01P385	#50506006 #85a EMERGENCY BUTTON PM30 (COMING WITH 50506011)	
3	01PSM1333	#50506001 BUTTON ZB2BA3C	Low speed button
4	01PSM1336	#50506005 BUTTON ZB2BZ101C	
5	01PSM1323	#50502004 TRANSPARENT GUARD ZBPA	
6	01PSM1333	#50506001 BUTTON ZB2BA3C	High speed button
7	01PSM1338	#50506012 BUTTON ZB2BZ105C	
8	01PSM1323	#50502004 TRANSPARENT GUARD ZBPA	
9	01PSM1333	#50506001 BUTTON ZB2BA3C	Inching button
10	01PSM1335	#50506003 BUTTON ZB2BE101C	
11	01PSM1335	#50506003 BUTTON ZB2BE101C	
12	01PSM1337	#50506007 BUTTON ZB2BZ103C	
13	01PSM1323	#50502004 TRANSPARENT GUARD ZBPA	
14	01PSM1334	#50506002 BUTTON ZB2BD3C	Veering/reversal button
15	01PSM1337	#50506007 BUTTON ZB2BZ103C	
16	01PSM1335	#50506003 BUTTON ZB2BE101C	
17	01PSM1335	#50506003 BUTTON ZB2BE101C	
16	01PSM1332	#50504004 TIMER	Italy
17	01PSM1353	#50512026 HEAVY DUTY CONNECTOR	
18	01PSM1340	#50506045 SWITCH	
19	01PSM1341	#50506046 LOAD SWITCH V1	load switch
20	01PSM1342	#50506047 KCF1PZ	
21	01PSM1343	#50506048 VZN17	
22	01PSM1344	#50506049 KZ32	
23	01PSM1349	#50507013 TRANSFORMER	

24	01PSM1322	#50502002 CONTACTOR D09B7C	
25	01PSM1330	#50503022 CIRCUIT BREAKER GV2-ME14C	
26	01PSM1327	#50503003 CONTACT AN11	
27	01PSM1328	#50503004 CIRCUIT BREAKER GV2-ME07C	
28	01PSM1351	#50509003 FUSE 2A	
29	01PSM1350	#50509002 FUSE 10A	
30	01PSM1352	#50509004 FUSE SEAT	