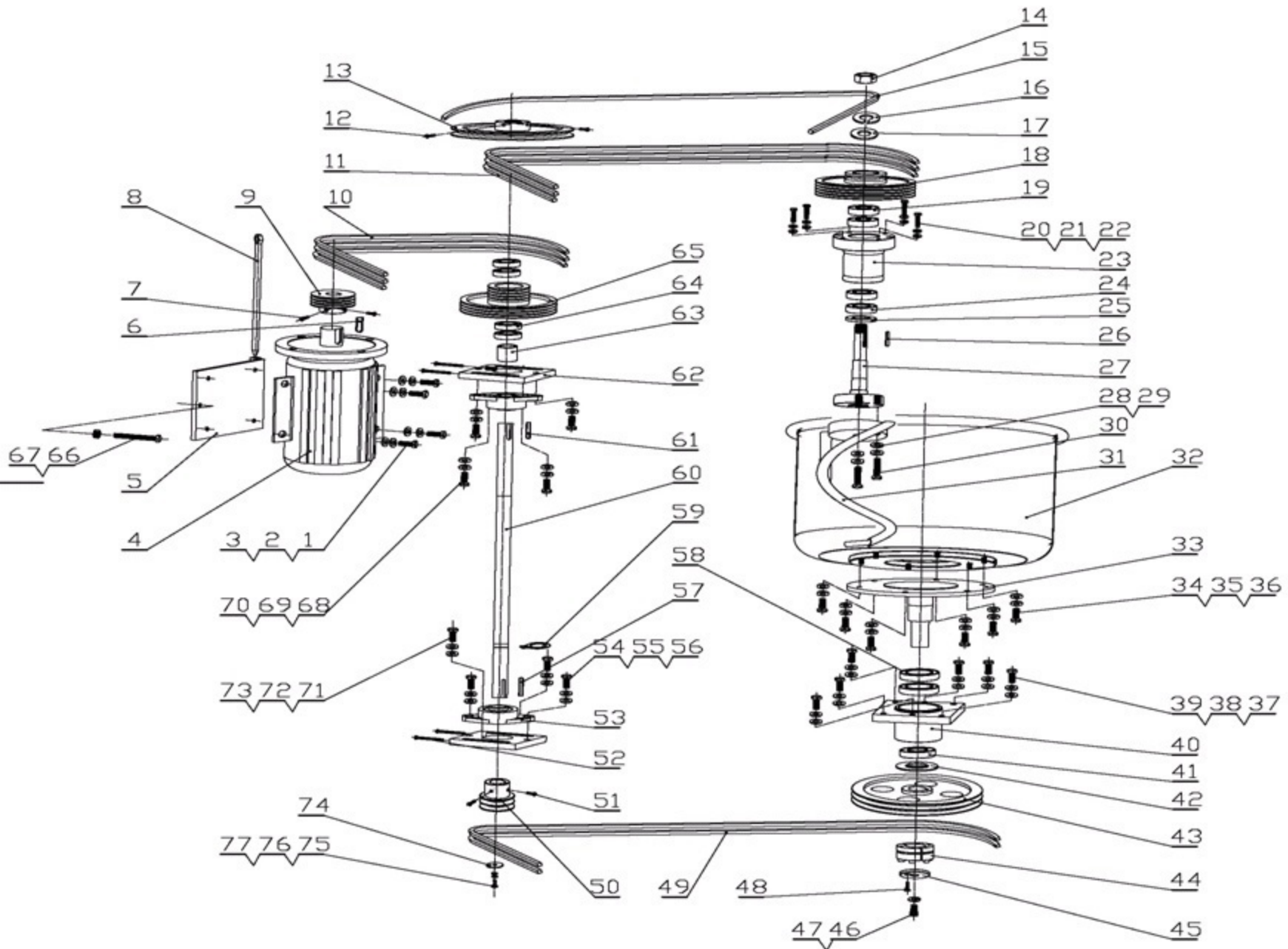
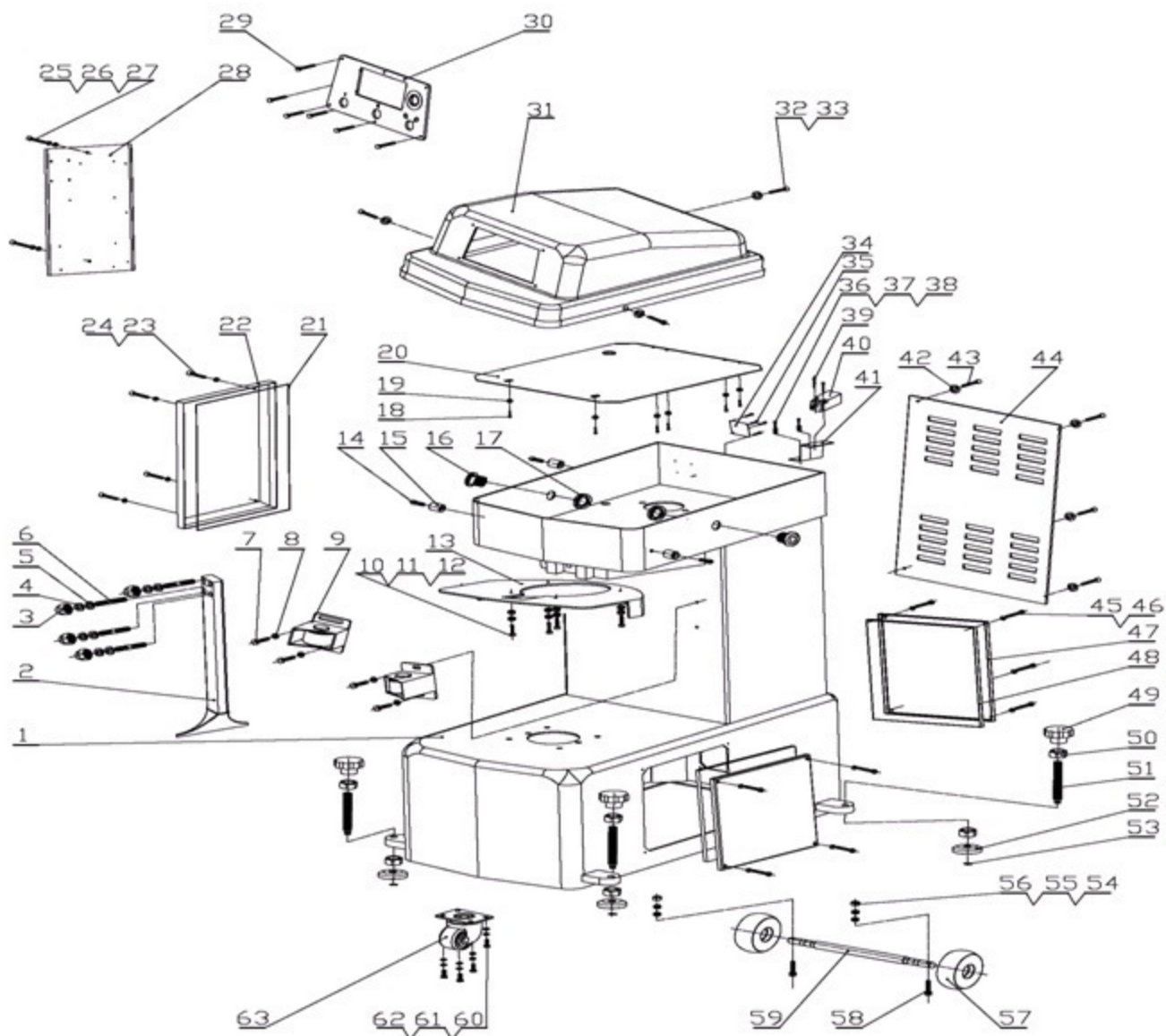


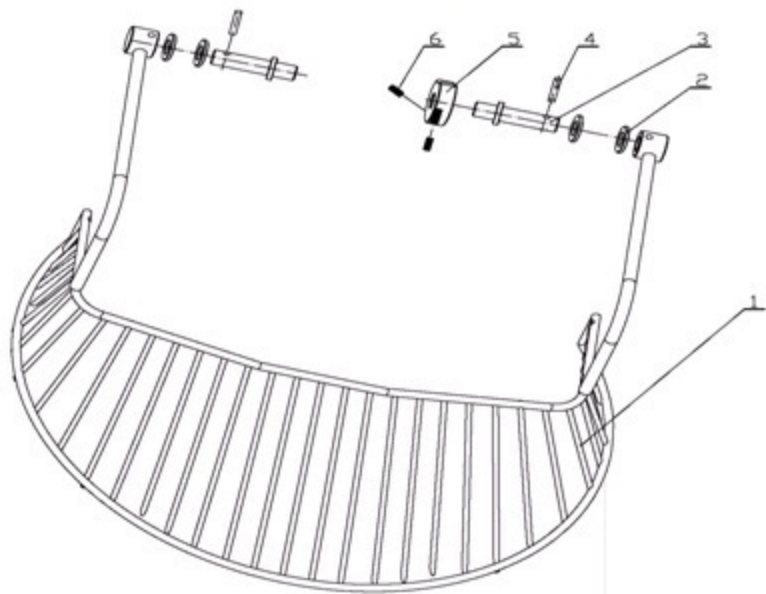
PSM40 - ROTARY PARTS



PSM40 - BODY PARTS



PSM40 - PROTECTIVE COVER PARTS



ROTARY PARTS

Item #	Part #	Description	
1	01PSM1151	#50303031 HEX BOLT M10X30	
2	01P177	#50307006 #77 SPACER	
3	01P154	#50308006 #54 SPRING WASHER	
4	01PSM1290	#50501067 MOTOR 380V/50HZ	380V/50HZ
4	01PSM1286	#50501061 MOTOR 380V/50HZ	220V/60HZ
4	01PSM1287	#50501062 MOTOR400V/50HZ	400V/50HZ
4	01PSM1288	#50501063 MOTOR 380V/60HZ	380V/60HZ
4	01PSM1320	#50501183 MOTOR 380V/60HZ	220V/50HZ
5	01PSM1280	#50405370 SETTING BOARD FOR MOTOR	
6	01PSM1363	#FLAT KEY C8X65	attached with Motor
7	01PSM1197	#50305072 SOCKET HEAD CAP SCREWS M8X12	
8	01PSM1001	#41200400 SPINDLE FOR MOTOR	
9	01PSM1002	#41200500 MOTOR BELT WHEEL	
10	01PSM1140	#50302036 POLYFLEX BELT 7M800	
11	01PSM1141	#50302039 POLYFLEX BELT 7M1090 50HZ	50HZ
11	01PSM1148	#50302083 POLYFLEX BELT 7M1150 60HZ	60HZ
12	01PSM1199	#50305074 SOCKET HEAD CAP SCREWS M8X16	
13	01PSM1003	#41200600 BELT WHEEL	
14	01PSM1184	#50304016 NUT M24	
15	01PSM1133	#50302017 BELT SPA1090	
16	01PSM1220	#50308010 SPRING WASHER F24	
17	01PSM1211	#50307010 FLAT PAD F24	
18	01PSM1004	#41200700 240 MAIN SHAFT BELT WHEEL	
19	01PSM1128	#50301022 BEARING 6305-Z	
20	01P791	#50303090 #7 SOCKET HEAD CAP SCREW M8X50 FOR PSM25	
21	01P469	#50307005 FLAT WASHER N8	
22	01P136	#50308005 #36 SPRING WASHER	
23	01PSM1005	#41200800 MAIN SHAFT BEARING SEAT	
24	01P344	#50301008 #44 BEARING	
25	01PSM1227	#50310012 OIL SEAL62X35X7	
26	01PSM1235	#50313042 FLAT KEY C6X35	
27	01PSM1006	#41200900 MAIN SHAFT	
28	01PSM1216	#50307016 S.S. FLAT PAD F12	
29	01PSM1224	#50308015 S.S. SPRING WASHER F12	
30	01PSM1173	#50303076 S.S. HEX BOLT M12X55	
31	01P800	#41301400 #31 HOOK FOR PSM-40 PSM-50	
32	01PSM1247	#50401025 BOWL	
33	01PSM1020	#41205200 BOWL SHAFT	
34	01PSM1165	#50303066 S.S. HEX BOLT M18X20	
35	01P704	#50307014 STAINLESS STEEL FLAT WASHER 8	
36	01P706	#50308013 STAINLESS STEEL SPRING WASHER 8	
37	01PSM1168	#50303070 S.S. HEX BOLT M10X35	
38	01PSM1215	#50307015 S.S. FLAT PAD F10	
39	01PSM1223	#50308014 S.S. SPRING WASHER F10	
40	01PSM1019	#41205100 BOW SHAFT BEARING SEAT	
41	01PSM1122	#50301009 BEARING 6207-Z	
42	01PSM1018	#41205000 LOCATING WASHER	
43	01PSM1017	#41204900 BOWL SHAFT BELT WHEEL	
44	01P741	#50399019 CONNECTING SET 35X60	
45	01PSM1023	#41300700 SHAFT COVER	
46	01PSM1178	#50303095 HEX BOLT M10X25	
47	01P154	#50308006 #54 SPRING WASHER	
48	01P494	#50303080 Cylinder hexagon screw M6x20	
49	01PSM1132	#50302009 TRIANGLE BELT A1372	
50	01PSM1007	#41201900 DRIVER SHAFT BELT WHEEL	

51	01PSM1197	#50305072 SOCKET HEAD CAP SCREWS M8X12	
52	01PSM1177	#50303092 SOCKET HEAD CAP SCREWS M8X80	
53	01PSM1129	#50301038 BEARING UCFL206	
54	01P630	#50303042 Hex bolts M12x30	
55	01P375	#50308007 #75 SPRING WASHERS	
56	01P391	#50307007 #91 SPACER	
57	01PSM1236	#50313047 FLAT KEY A8X50	
58	01PSM1127	#50301021 BEARING 6010-Z	
59	01PSM1230	#50312012 SHAFT RING 30	
60	01PSM1011	#41202300 DRIVER SHAFT	
61	01PSM1233	#50313033 FLAT KEY A8X40	
62	01PSM1009	#41202100 BEARING SEAT	
63	01PSM1010	#41202200 DRIVER SHAFT RING	
64	01PSM1124	#50301014 BEARING 6006-Z	
65	01PSM1008	#41202000 DRIVER SHAFT WHEEL	
66	01PSM1154	#50303039 HEX BOLT M10X100	
67	01P178	#50304006 #78 NUT	
68	01PSM1152	#50303033 HEX BOLT M10X35	
69	01PSM1217	#50307017 LARGE WASHER F10 C CLASS	
70	01P154	#50308006 #54 SPRING WASHER	
71	01PSM1153	#50303034 HEX BOLT M10X40	
72	01PSM1217	#50307017 LARGE WASHER F10 C CLASS	
73	01P154	#50308006 #54 SPRING WASHER	
74	01PSM1000	#41101800 PRESSING PLATE	
75	01P669	#50303010 Hex bolts M6x16	
76	01P495	#50308004 Spring washer 6	
77	01P474	#50307004 Flat washer 6	

BODY PARTS

1	01PSM1015	#41203009 HOUSING	
2	01PSM1012	#41202700 FIXED BLOCK	
3	01PSM1185	#50304030 NUT M10	
4	01PSM1223	#50308014 S.S. SPRING WASHER F10	
5	01PSM1215	#50307015 S.S. FLAT PAD F10	
6	01PSM1180	#50303119 STUD M10X60	
7	01PSM1164	#50303065 S.S. HEX BOLT M8X16	
8	01P704	#50307014 STAINLESS STEEL FLAT WASHER 8	
9	01PSM1369	#BLOCK WHEEL SUBASSEMBLY PSM40	
9	01PSM1277	#50405367 BLOCK WHEEL SET	
9	01PSM1075	#41504200 BLOCK WHEEL BOLT	
9	01PSM1076	#41504300 BLOCK WHEEL SHAFT	
9	01PSM1270	#50405208 BLOCK WHEEL BODY	
9	01P124	#50301004 #24 BEARING	
10	01PSM1192	#50305029 S.S. PHILIPS SCREW M4X10	
11	01PSM1221	#50308011 S.S. SPRING WASHER F4	
12	01PSM1212	#50307011 S.S. FLAT PAD F4	
13	01PSM1013	#41202800 BACK PROTECT GUARD	
14	01PSM1179	#50303108 S.S. SOCKET HEAD CAP SCREW M8X25	
15	01PSM1078	#41504600 PIN SETS	
16	01PSM1046	#41304400 FIXED PIN SETS	
17	01PSM1186	#50304035 NUT M25X1.5	
18	01PSM1200	#50305080 PHILIPS SCREW ST4.2X19	
19	01P509	#50307002 Flat washer 4	
20	01PSM1014	#41202900 HOUSING COVER BOARD	
21	01PSM1242	#50399021 SEALING TAPE	
22	01PSM1264	#50405128 ELECTRONIC CONTROL PANEL	
23	01PSM1163	#50303064 S.S. HEX BOLT M5X50	
24	01PSM1213	#50307012 S.S. FLAT PAD F5	

25	01PSM1191	#50305022 PHILIPS SCREW M6X16	
26	01P474	#50307004 Flat washer 6	
27	01P495	#50308004 Spring washer 6	
28	01PSM1258	#50405101 ELECTRIC CONTROL MOUNTING PLATE	
29	01PSM1205	#50305113 S.S. PHILIPS SCREW ST4.2X19	
30	01PSM1248	#50402052 CONTROL PANEL	
31	01PSM1052	#41307700 TOP COVER	
32	01PSM1193	#50305031 S.S. PHILIPS SCREW M4X20	
33	01PSM1257	#50405100 NYLON FLAT PAD F4	
34	01PSM1251	#50402068 BRAND	
35	01P490	#50305027 Philips screw M4x6	
36	01P486	#50305008 Philips screw M4x14	
37	01P509	#50307002 Flat washer 4	
38	01P487	#50308002 Spring washer 4	
39	01PSM1190	#50305011 PHILIPS SCREW M4X35	
40	01PSM1340	#50506045 SWITCH	
41	01PSM1267	#50405160 SWITCH SETTING BOARD	
42	01PSM1213	#50307012 S.S. FLAT PAD F5	
43	01PSM1194	#50305034 S.S. PHILIPS SCREW M5X10	
44	01PSM1268	#50405163 BACK COVER BOARD	
45	01PSM1161	#50303060 S.S. HEX BOLT M5X20	
46	01PSM1213	#50307012 S.S. FLAT PAD F5	
47	01PSM1261	#50405111 VIEW SETTING BOARD	
48	01PSM1242	#50399021 SEALING TAPE	
49	01PSM1283	#50405512 HANDLE M16	
50	01PSM1187	#50304039 NUT M16	
51	01PSM1044	#41303900 ADJUST FEET SUPPPORT STEM	
52	01PSM1043	#41303800 ADJUST FEET SUPPPORT COVER	
53	01P157	#50312002 #57 CIRCLIPS FOR SHAFT	
54	01P108	#50304005 #8 NUT	
55	01P469	#50307005 FLAT WASHER N8	
56	01P136	#50308005 #36 SPRING WASHER	
57	01PSM1238	#50399013 INDUSTRIAL WHEELS	
58	01PSM1176	#50303088 HEX BOLT M8X35	
59	01PSM1016	#41203700 BACK WHEEL SHAFT	
60	01P788	#50303086 SOCKET HEAD CAP SCREW M8X25 FOR PSM25	
61	01P469	#50307005 FLAT WASHER N8	
62	01P136	#50308005 #36 SPRING WASHER	
63	01PSM1237	#50399011 INDUSTRIAL FEET WHEELS	

PROTECTIVE COVER PARTS

1	01PSM1355	#41203800 FRONT PROTECT GUARD	
2	01PSM1263	#50405124 PLATE	
3	01PSM1085	#41506200 PIN	
4	01PSM1210	#50306053 PIN 4X30	
5	01PSM1048	#41305300 SWITCH BLOCK WHEEL	
6	01PSM1202	#50305100 SOCKET HEAD CAP SCREW M6X10	

ELEC. COMPONENTS

1	01PSM1338	#50506012 BUTTON ZB2BZ105C	Stop button assembly
2	01P385	#50506006 #85a EMERGENCY BUTTON PM30 (COMING WITH 50506011)	
3	01PSM1333	#50506001 BUTTON ZB2BA3C	Low speed button
4	01PSM1336	#50506005 BUTTON ZB2BZ101C	
5	01PSM1323	#50502004 TRANSPARENT GUARD ZBPA	
6	01PSM1333	#50506001 BUTTON ZB2BA3C	High speed button
7	01PSM1338	#50506012 BUTTON ZB2BZ105C	

8	01PSM1323	#50502004 TRANSPARENT GUARD ZBPA	
9	01PSM1332	#50504004 TIMER	
10	01PSM1353	#50512026 HEAVY DUTY CONNECTOR	
11	01PSM1340	#50506045 SWITCH	
12	01PSM1341	#50506046 LOAD SWITCH V1	load switch
13	01PSM1342	#50506047 KCF1PZ	
14	01PSM1343	#50506048 VZN17	
15	01PSM1344	#50506049 KZ32	
16	01PSM1349	#50507013 TRANSFORMER	
17	01PSM1321	#50502001 CONTACTOR D12B7C	
18	01PSM1330	#50503022 CIRCUIT BREAKER GV2-ME14C	
19	01PSM1327	#50503003 CONTACT AN11	
20	01PSM1329	#50503019 THERMAL RELAY	
21	01PSM1351	#50509003 FUSE 2A	
22	01PSM1350	#50509002 FUSE 10A	
23	01PSM1352	#50509004 FUSE SEAT	