



Revolution Oven (GAS MODEL) Parts Manual

RE-4-8

RE-4-12

RE-4-16

RE-8-16

RE-8-24

RE-8-32



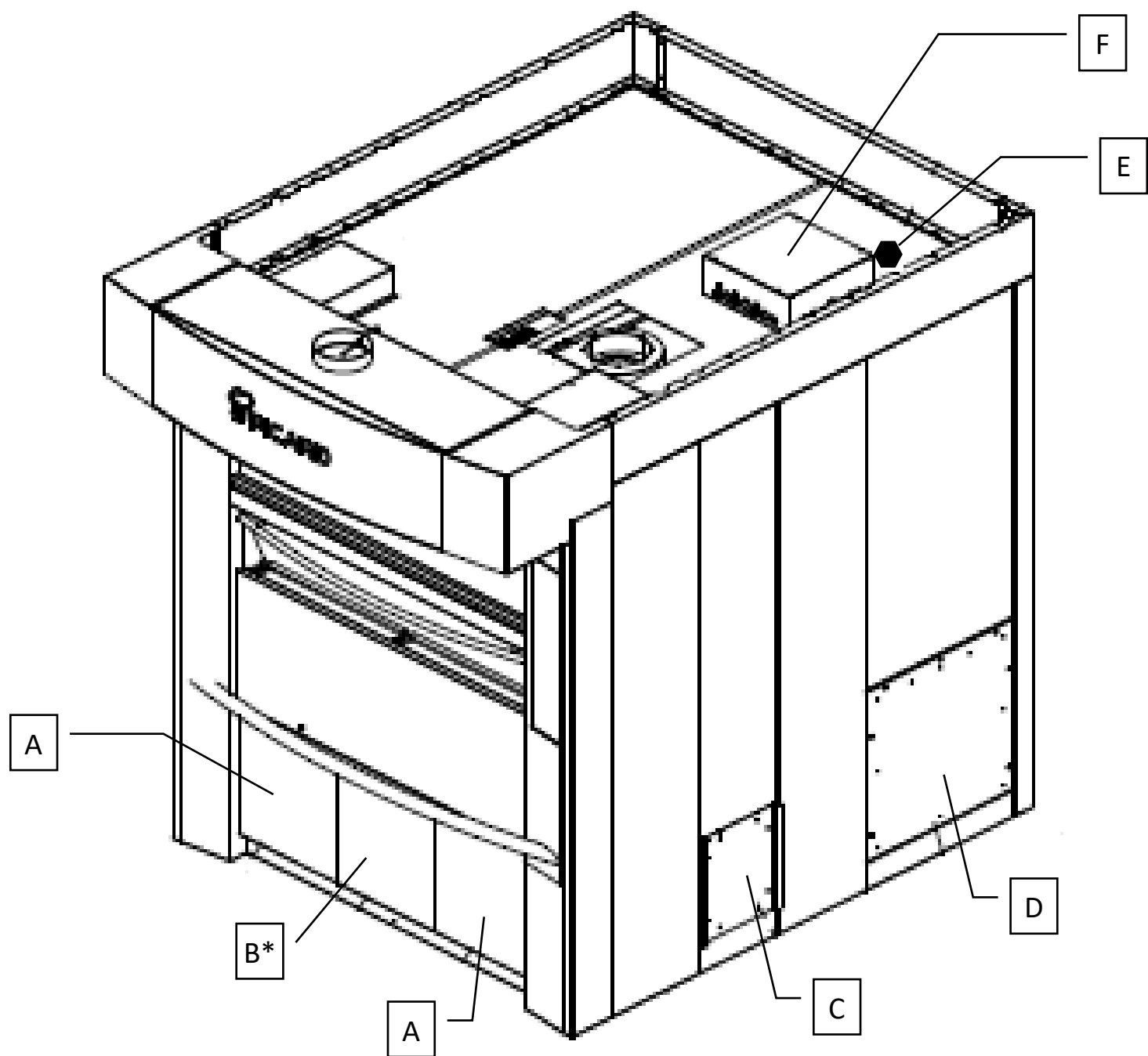
A

| # | Part # | Description | Model |
|---|----------|--------------------------|-------|
| A | RE800610 | 6 MONTHS MAINTENANCE KIT | ALL |

Description

MAINTENANCE KIT



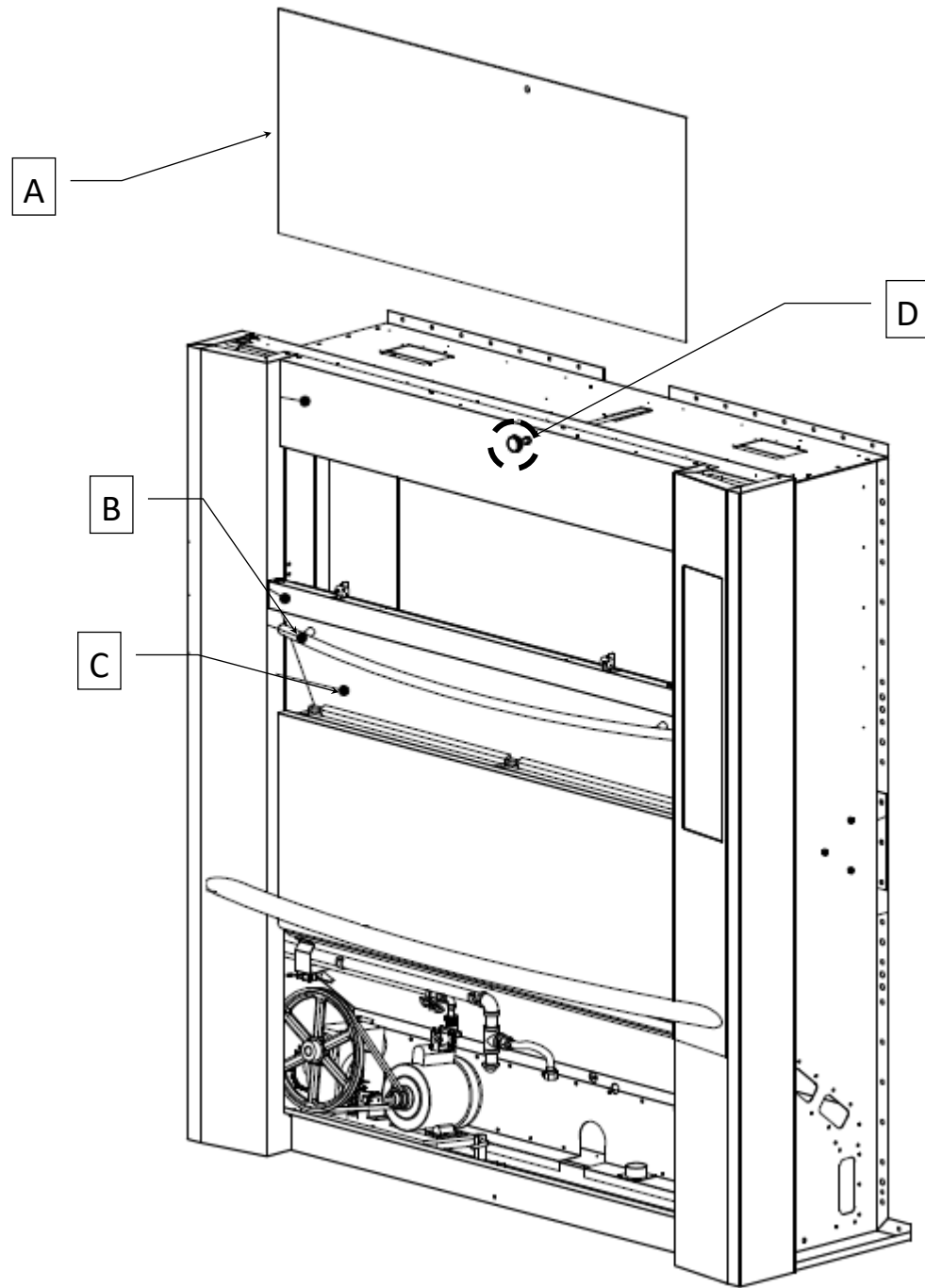


| # | Part # | Description | Model |
|----|-----------|-----------------------------|-------------------------------------|
| A | RE800151A | FRONT SIDE DRESSING PANEL | ALL |
| B* | RE800151B | FRONT CENTER DRESSING PANEL | RE816 = 0 RE824 = 1 RE832 = 2 |
| C | RE800026 | CLEANING HOLE COVER | ALL |
| D | RE800028 | MANHOLE | ALL |
| E | EL18-0003 | OCTOGONAL BOX | ALL |
| F | RE800073 | ELECTRICAL BOX ASSEMBLY | ALL |

* MODEL SPECIFIC

Description
 PANELS





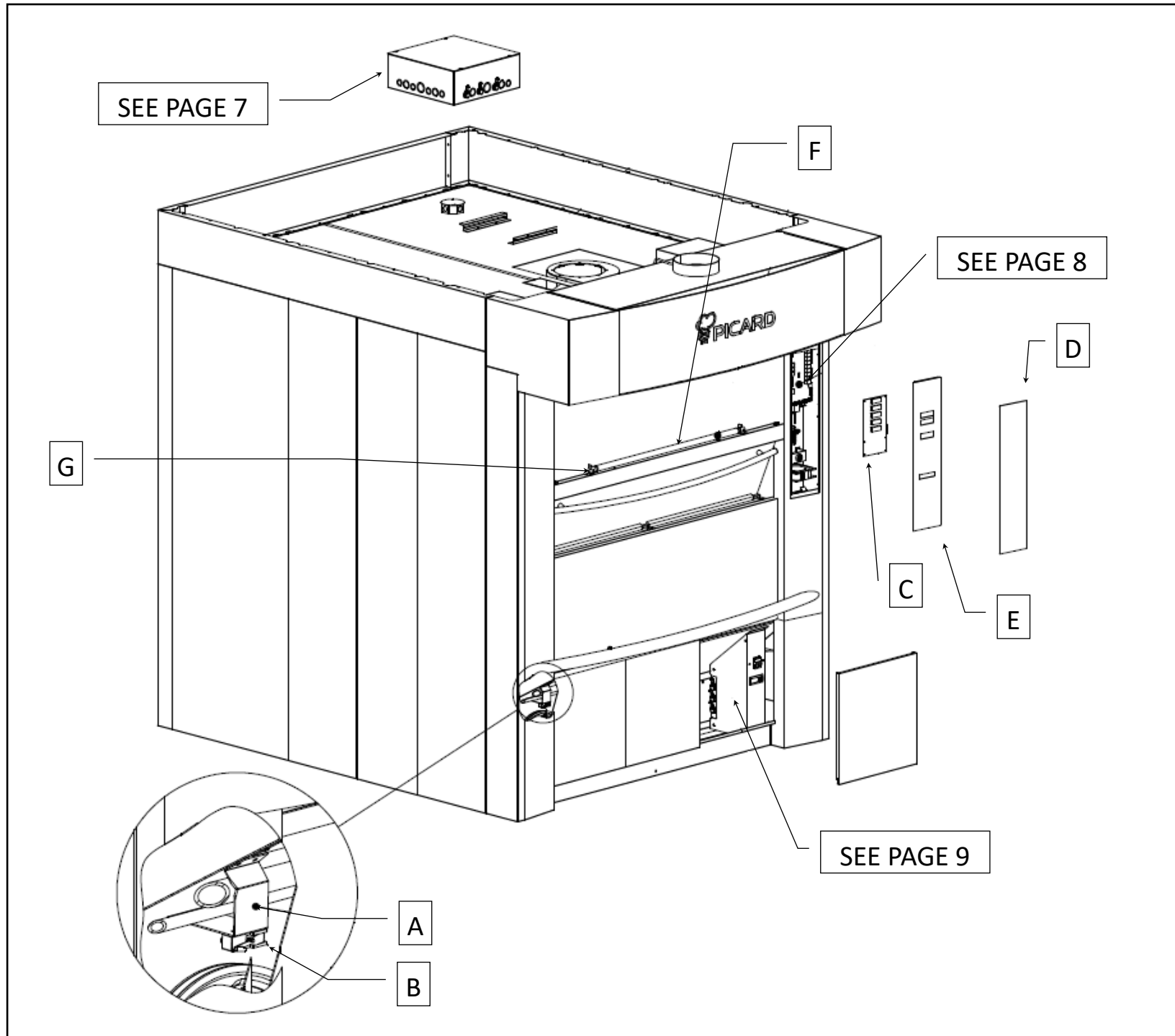
| # | Part # | Description | Model |
|---|--------------------------|------------------|-------|
| A | RE8"XX"900 | GLASS | * |
| B | RE8"XX"049 | DOOR HANDLE | * |
| C | RE8"XX"132 | OVEN DOOR | * |
| D | RE800440 | VENTILATION KNOB | ALL |

* MODEL SPECIFIC

Description

OVEN FRONT





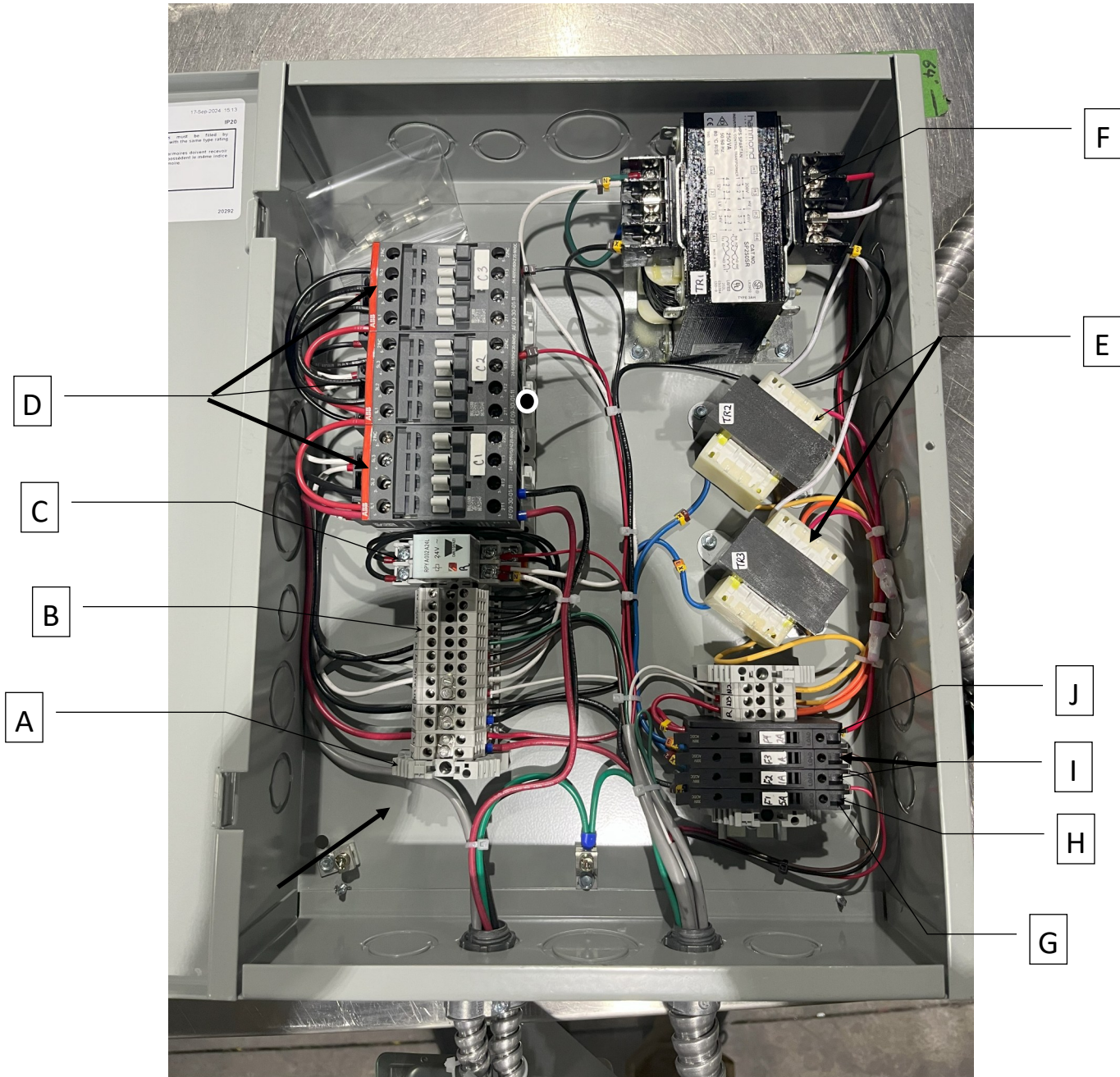
| # | Part # | Description | Model |
|----|---------------------------|------------------------|---|
| A | RE800167 | LIMIT SWITCH SUPPORT | ALL |
| B | EL66-0017 | LIMIT SWITCH | ALL |
| C | EL02-0124 | DISPLAY CARD | ALL |
| D | RE800705 | DIGITAL CONTROL | ALL |
| E | RE800061 | CONTROL PANEL | ALL |
| F* | EL37-0004 | FLUORESCENT LAMP | RE48 = 1x RE816 = 1x RE416 = 2X RE832 = 2X |
| F* | EL37-0021 | FLUORESCENT LAMP | RE-4-12 = 1x RE-8-24 = 1x |
| G | RE11-0006-A | WIRING AND LAMP SOCKET | ALL |

* MODEL SPECIFIC

Description

ELECTRICAL COMPARTMENTS 1-4



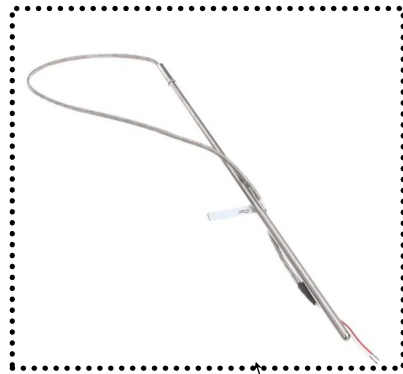
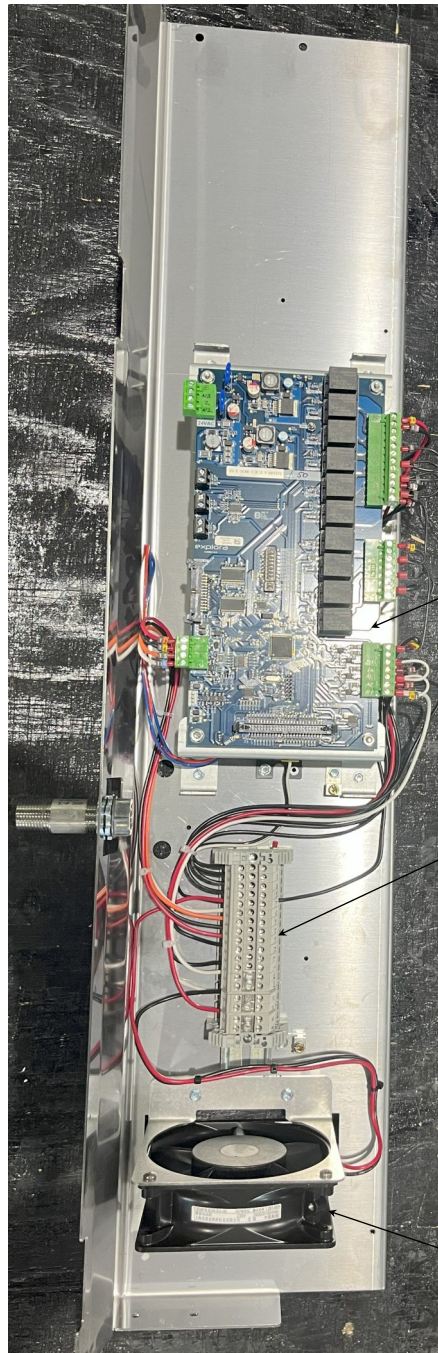


| # | Part # | Description | Model |
|---|---------------------------|--|-------|
| A | 028-2008 | TERMINAL STOPPER | ALL |
| B | EL05-0001 | TERMINAL | ALL |
| C | EL03-0052 | RELAY 10A 24VAC | ALL |
| D | EL03-0102 | CONTACTOR | ALL |
| E | EL40-0037 | TRANSFORMER 40VA 208/240V - 24VAC 50/60Hz | ALL |
| F | EL40-0018 | TRANSFORMER 250VA 208/416 - 12/24V 50/60HZ | ALL |
| G | EL36-0012 | FUSE HOLDER | ALL |
| H | EL36-0006 | FUSE MINI 5A 1/4" X 1-1/4" | ALL |
| I | EL36-0044 | FUSE MINI 1A 1/4" X 1-1/4" | ALL |
| J | EL36-0025 | FUSE MINI 2A | ALL |

* MODEL SPECIFIC

Description
ELECTRICAL COMPARTMENTS 2-4 (ELECTRICAL BOX)





A

D

B

C

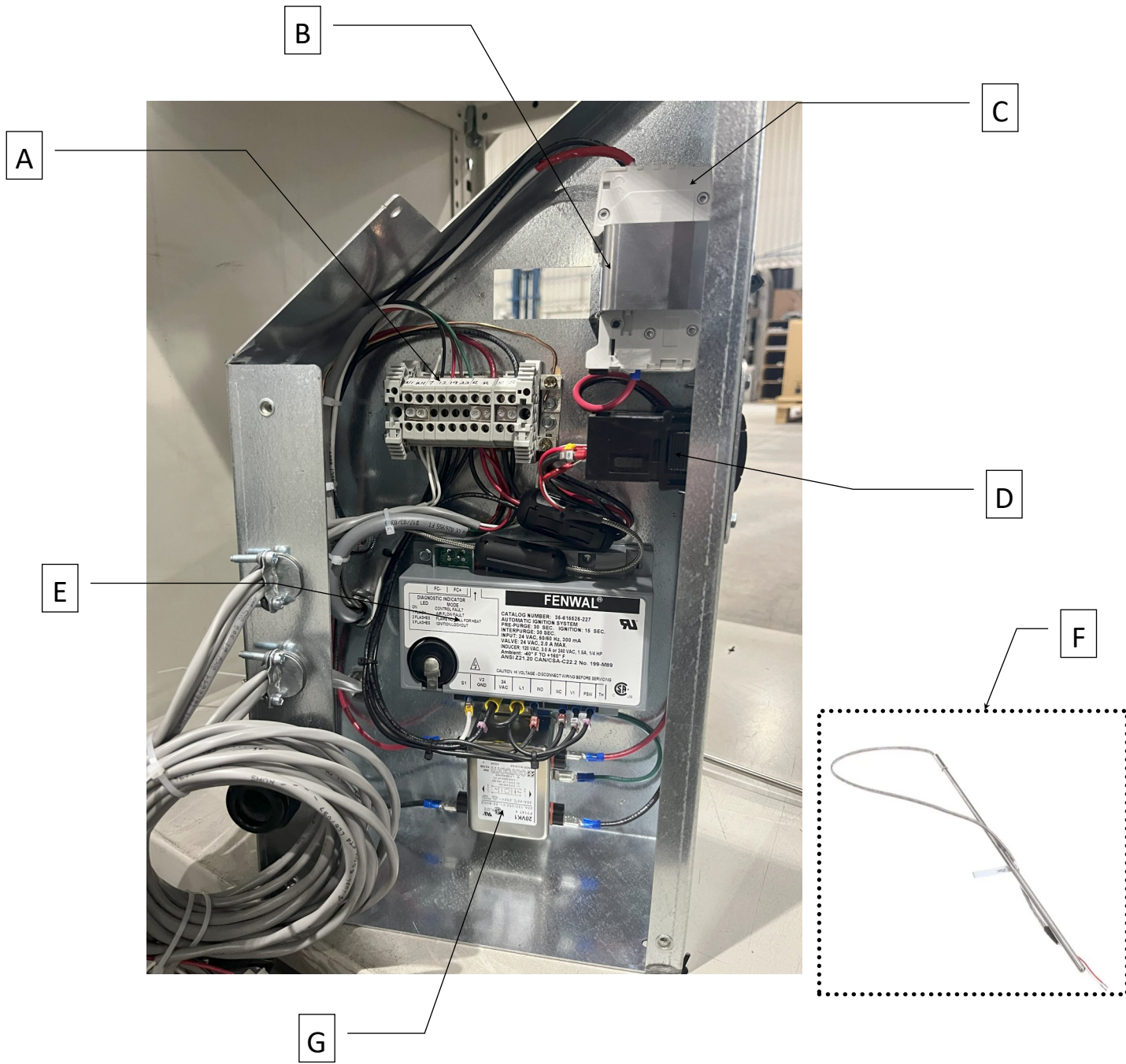
| # | Part # | Description | Model |
|---|---------------------------|--|-------|
| A | EL02-0123 | CONTROL BOARD | ALL |
| B | EL05-0001 | TERMINAL | ALL |
| C | VE68-0036 | 4 "DIA, 230VAC, 110 CFM | ALL |
| D | EL64-0101 | THERMOCOUPLE TYPE « J », 24" WIRE, 17" PROBE | ALL |

* MODEL SPECIFIC

Description

ELECTRICAL COMPARTMENTS 3-4 (MAIN ELECTRICAL PANEL)

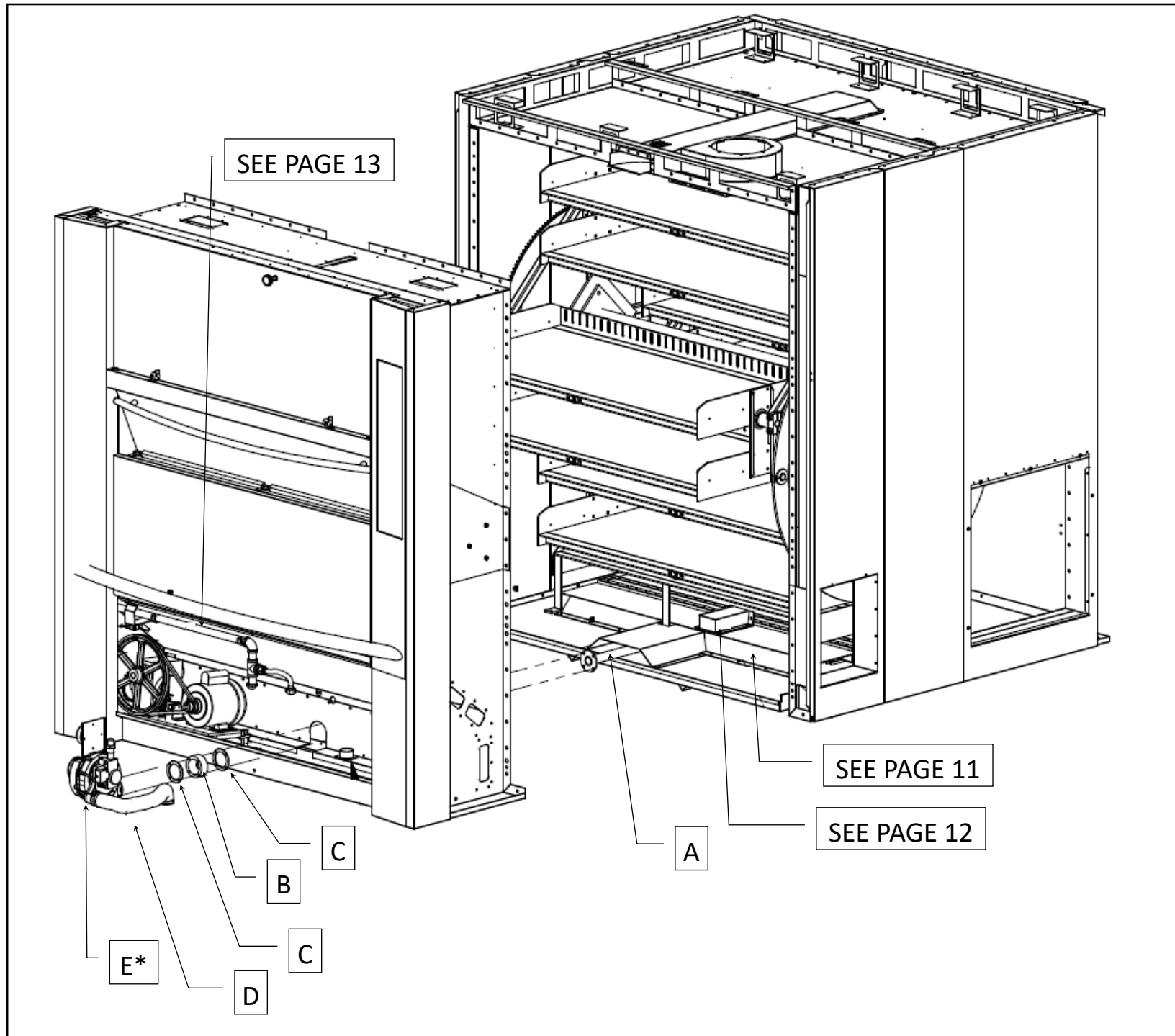




| # | Part # | Description | Model |
|---|---------------------------|--|-------|
| A | EL05-0001 | TERMINAL | ALL |
| B | RE800209 | BREAKER SUPPORT | ALL |
| C | EL36-0087 | BREAKER | ALL |
| D | EL02-0102 | HIGH LIMIT | ALL |
| E | EL02-0165 | IGNITION MODULE | ALL |
| F | EL64-0102 | THERMOCOUPLE TYPE « J », 96" WIRE, 17" PROBE | ALL |
| G | EL02-0176 | LINE FILTER 20A | ALL |

Description
 ELECTRICAL COMPARTMENTS 4-4 (BOTTOM ELECTRICAL PANEL)

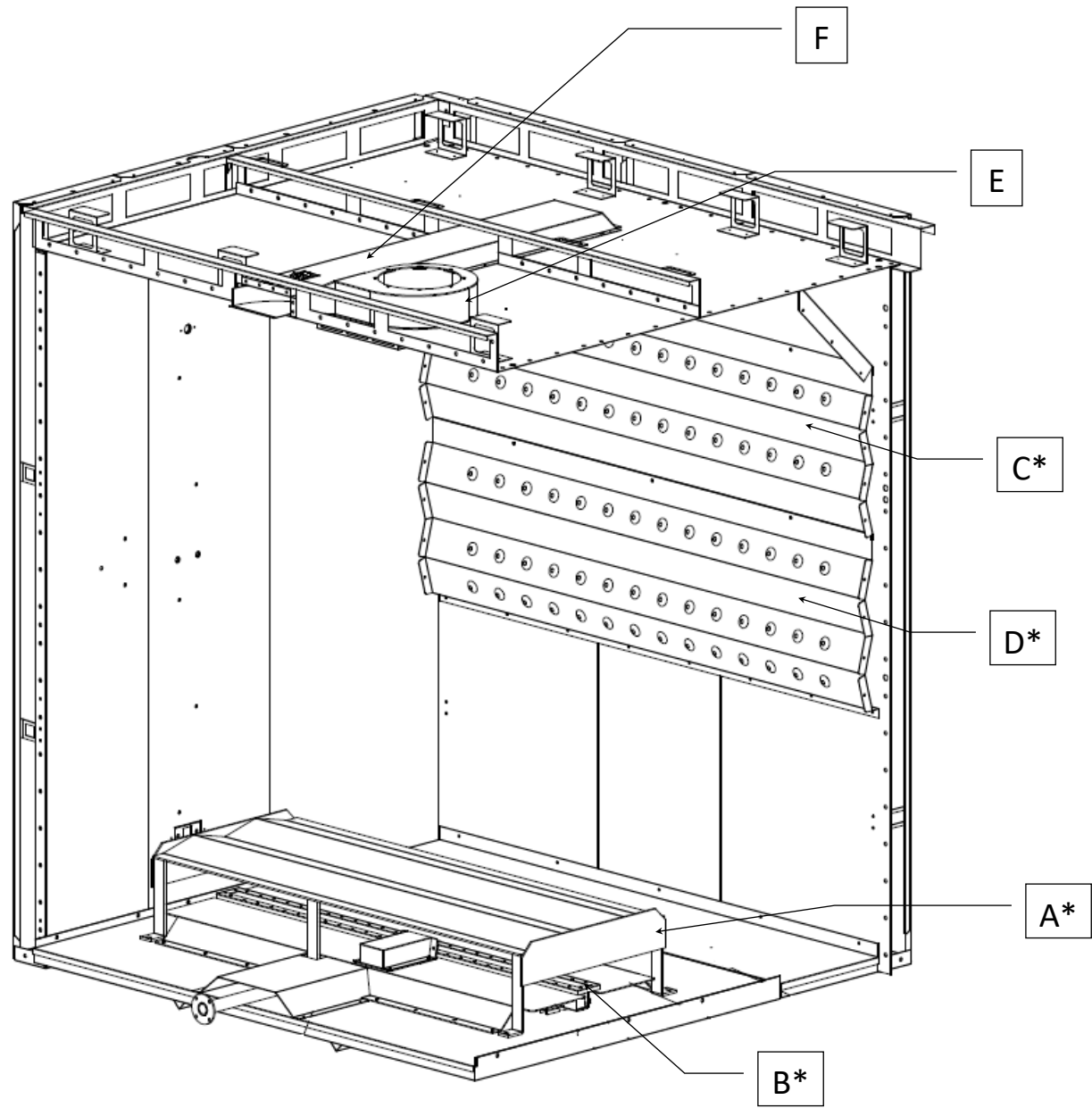




| # | Part # | Description | Model |
|----|-----------------------------|-----------------------------------|-------|
| A | RE8"XX"065 | BURNER & TUBE | * |
| B | RE800412 | BURNER BLOWER ADAPTOR | ALL |
| C | RE800418 | BURNER BLOWER GASKET | ALL |
| D | DI91-0033 | AIR INTAKE FLEXIBLE TUBE | ALL |
| E* | RE11-0007-A | BURNER BLOWER RE-8-16 NATURAL GAS | * |
| E* | RE11-0008-A | BURNER BLOWER RE-8-16 PROPANE | * |
| E* | RE11-0009-A | BURNER BLOWER RE-8-24 PROPANE | * |
| E* | RE11-0010-A | BURNER BLOWER RE-8-32 PROPANE | * |
| E* | RE11-0012-A | BURNER BLOWER RE-8-24 NATURAL GAS | * |
| E* | RE11-0013-A | BURNER BLOWER RE-8-32 NATURAL GAS | * |
| F | RE11-0002-A | BURNER BLOWER POWER PIGTAIL | ALL |
| G | RE11-0003-A | BURNER BLOWER CONTROL PIGTAIL | ALL |

Description
BURNER & BLOWER





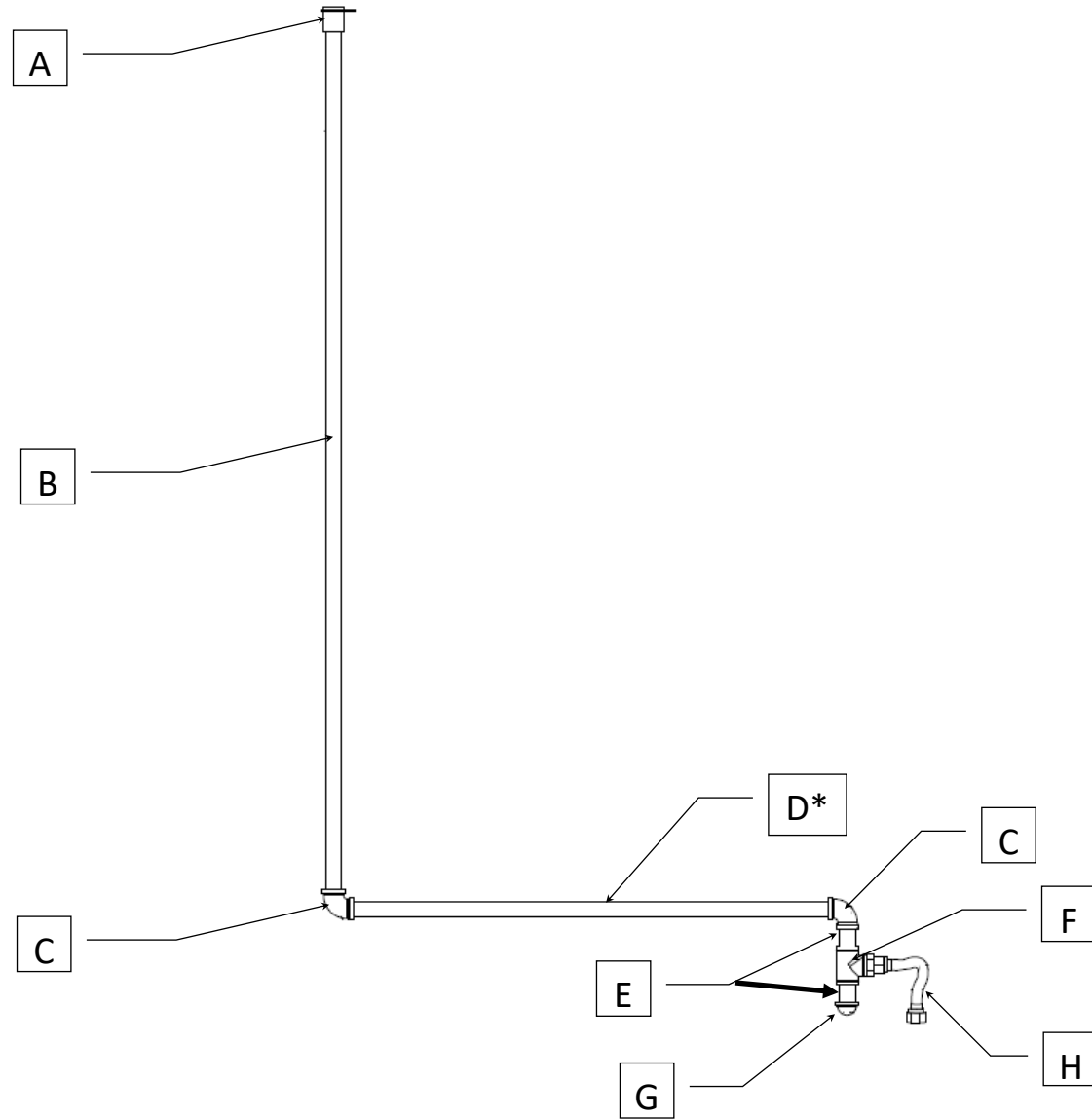
| # | Part # | Description | Model |
|----|-------------|----------------------------|-------|
| A* | RE8"XX"057 | FLAME DEFLECTOR | * |
| B* | RE8"XX"065 | BURNER & TUBE | * |
| C* | RE8"XX"150B | VENTILATION PLATE (TOP) | * |
| D* | RE8"XX"150A | VENTILATION PLATE (BOTTOM) | * |
| E | RE800057 | VENTILATION HUB | ALL |
| F | RE800214 | BACK VENTILATION CHANNEL | ALL |

*MODEL SPECIFIC

Description

COOKING CHAMBER & VENT





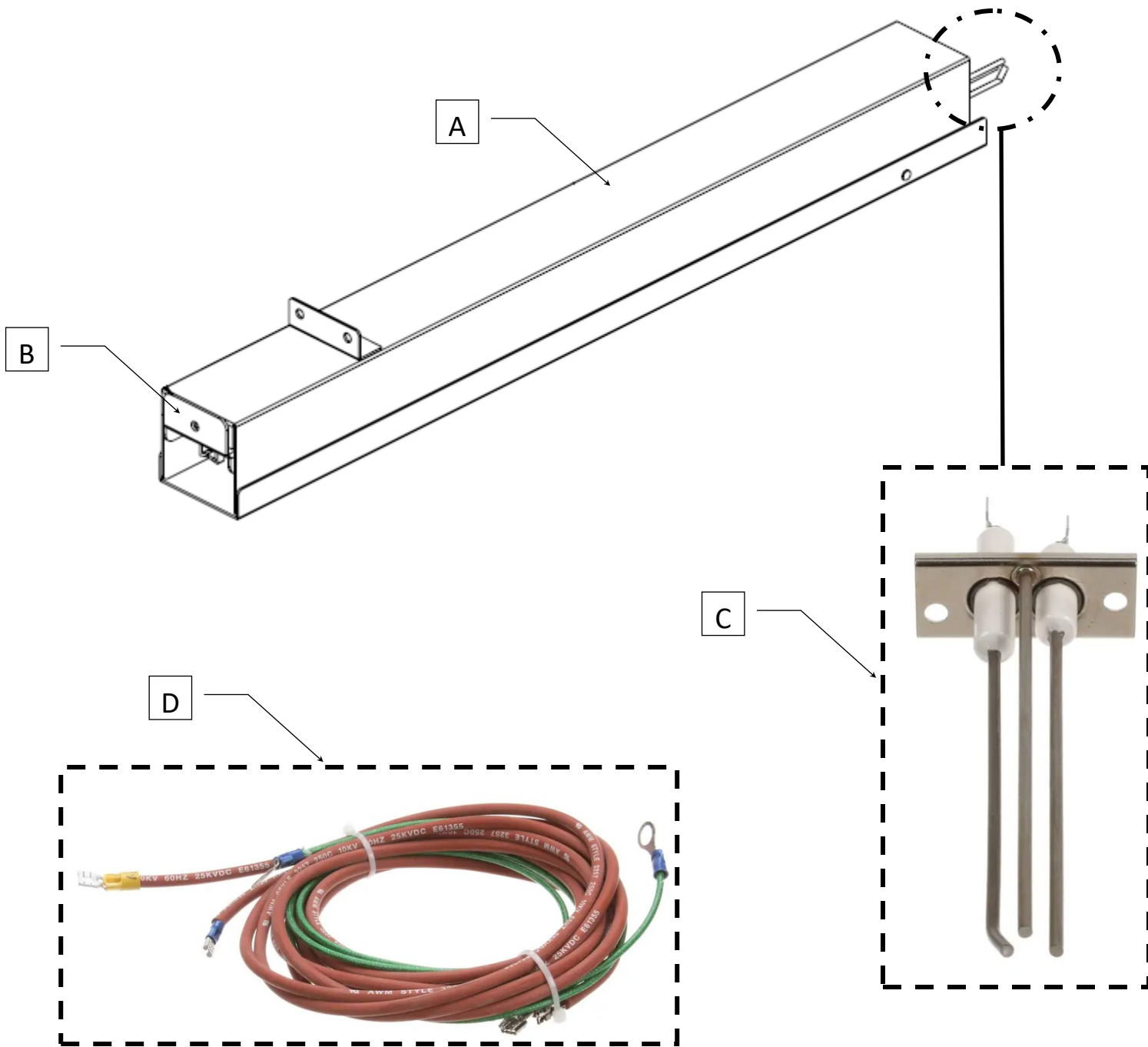
| # | Part # | Description | Model |
|---|---------------------------|-------------------------------|-------|
| A | RE800077 | GAS LINE SUPPORT | ALL |
| B | RE800302 | VERTICAL GAS PIPE | ALL |
| C | PL29-0025 | ELBOW | ALL |
| D | RE8"XX"304 | HORIZONTAL GAS PIPE | * |
| E | PL29-0021 | BLACK IRON NIPPLE 3/4" x 2" | ALL |
| F | PL29-0023 | " T " FITTING 3/4" BLACK IRON | ALL |
| G | PL29-0032 | CAP 3/4" | ALL |
| H | PL29-0123 | FLEXIBLE HOSE & FITTING | ALL |

*MODEL SPECIFIC

Description

GAS LINE





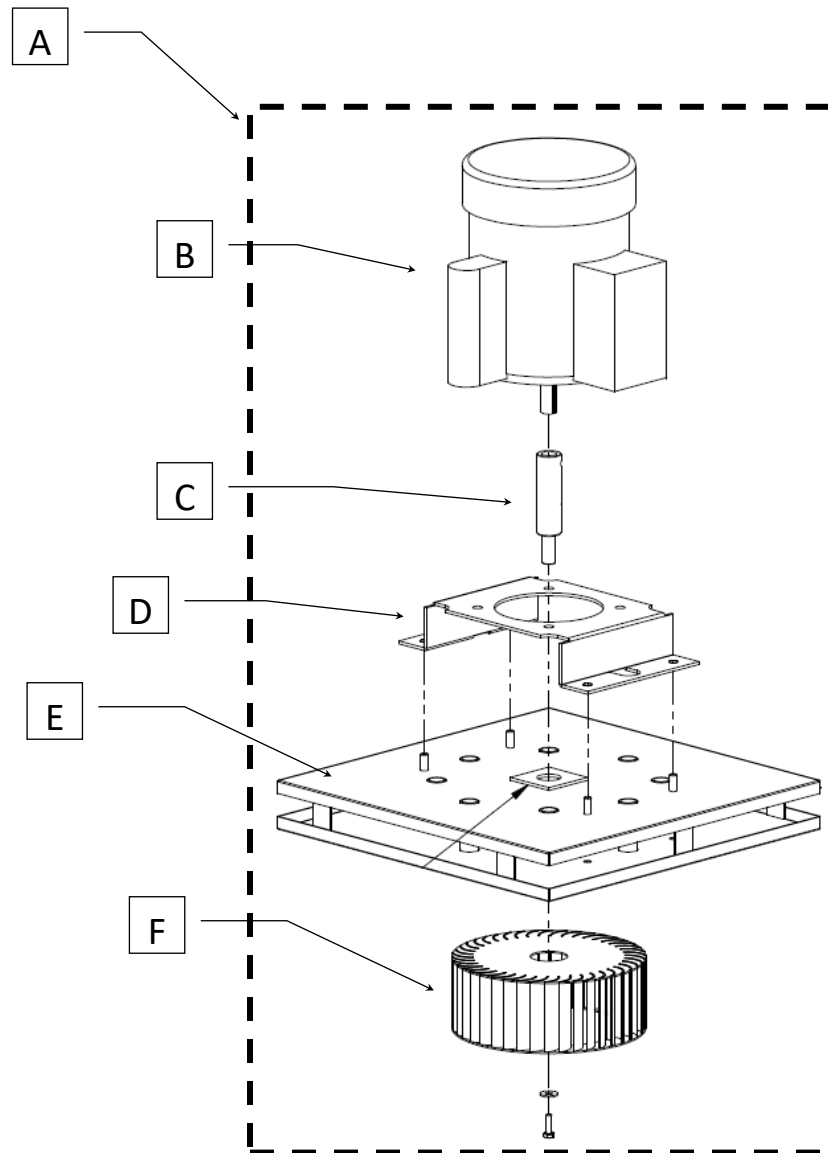
| # | Part # | Description | Model |
|---|---------------------------|----------------------------------|-------|
| A | RE800549 | IGNITION SUPPORT TUBE | ALL |
| B | RE800561 | IGNITOR SUPPORT BRACKET | ALL |
| C | PL69-0016 | IGNITION ROD AND SENSOR ASSEMBLY | ALL |
| D | RE8"XX"603 | IGNITION CABLES | * |

*MODEL SPECIFIC

Description

IGNITION ASSEMBLY CHANNEL





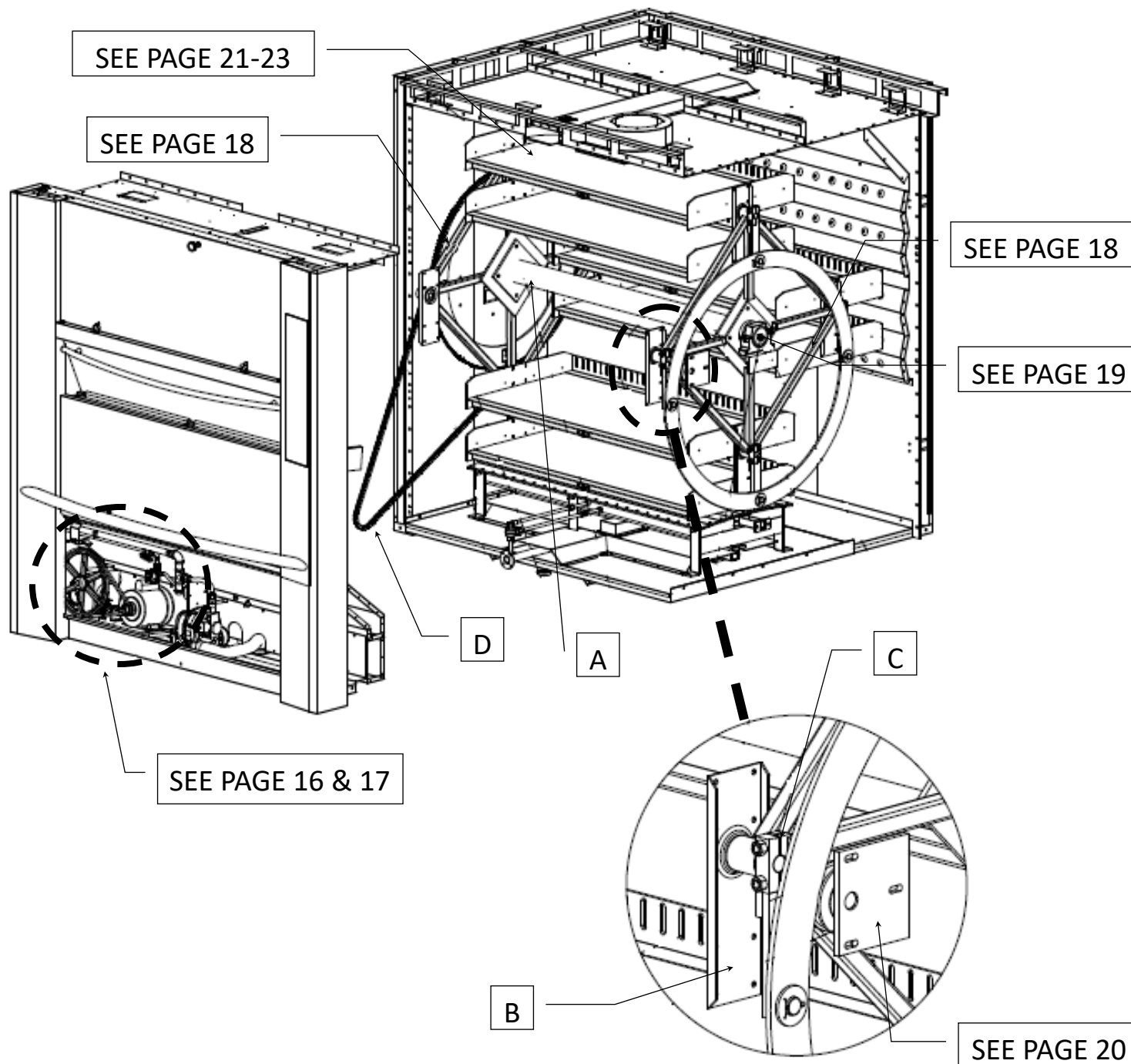
| # | Part # | Description | Model |
|---|-----------|---|-------|
| A | RE800025 | VENTILATION MOTOR ASSEMBLY | ALL |
| B | EL32-0090 | MOTOR 1/3 HP 1800 RPM 115 / 208-230V 60HZ 1PH WITH C FLANGE | ALL |
| C | RE800435 | MOTOR SHAFT EXTENSION | ALL |
| D | RE800182 | FAN MOTOR SUPPORT | ALL |
| E | RE800042 | VENTILATION COVER | ALL |
| F | VE68-0004 | BLOWER WHEEL | ALL |

*MODEL SPECIFIC

Description

FAN MOTOR ASSEMBLY





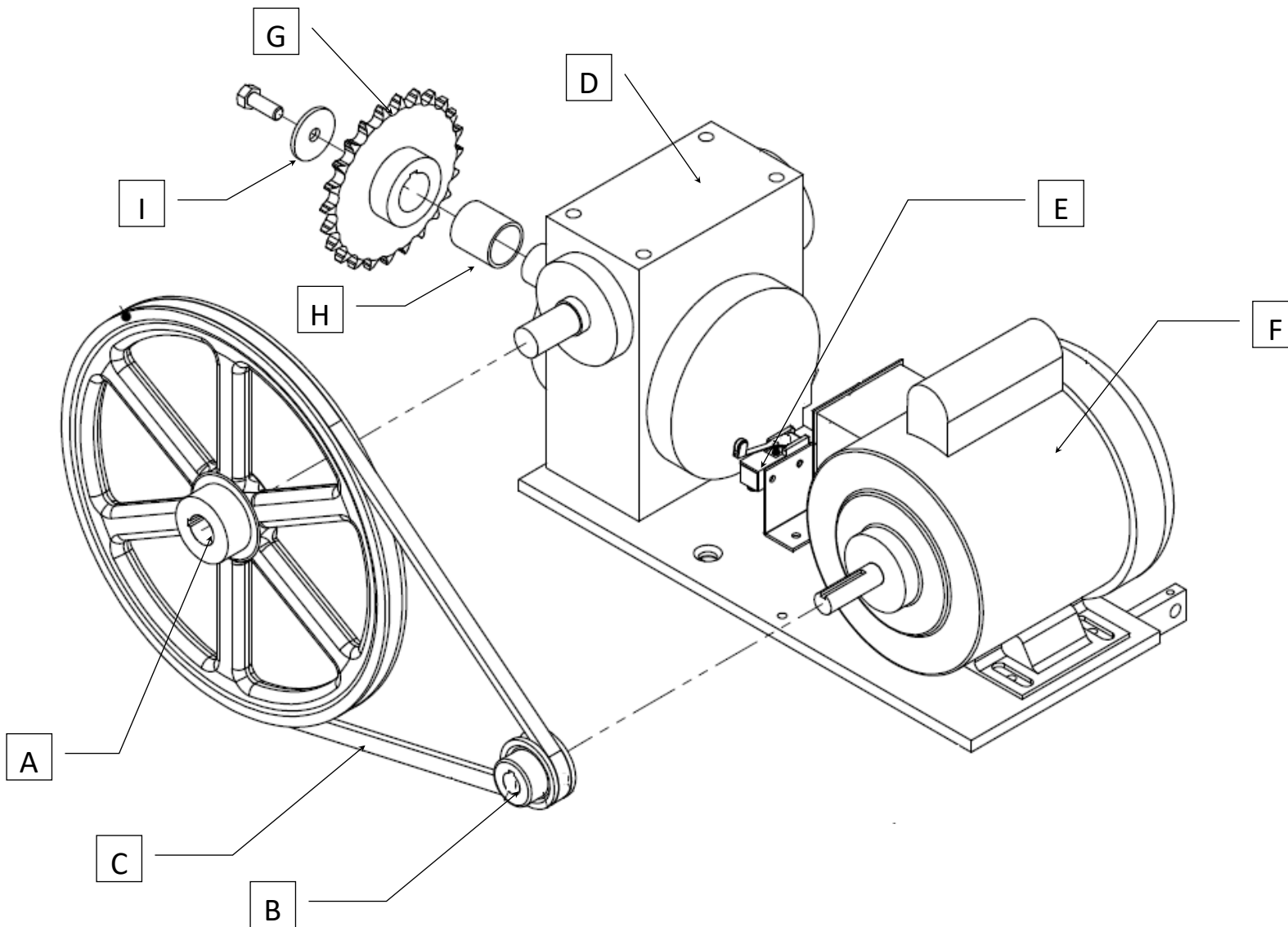
| # | Part # | Description | Model |
|----|-------------|--|---------|
| A | RE8"XX'045 | CENTER SHAFT | * |
| B* | RE800045D | RIGHT SHELVES SUPPORT (8 shelves config) | RE-8-XX |
| B* | RE800045G | LEFT SHELVES SUPPORT (8 shelves config) | RE-8-XX |
| B* | RE800045D-4 | RIGHT SHELVES SUPPORT (4 shelves config) | RE-4-XX |
| B* | RE800045G-4 | LEFT SHELVES SUPPORT (4 shelves config) | RE-4-XX |
| C | RE800060 | STABILIZING ARM | ALL |
| D | ME61-0037 | CHAIN | ALL |

*MODEL SPECIFIC

Description

MECHANIC





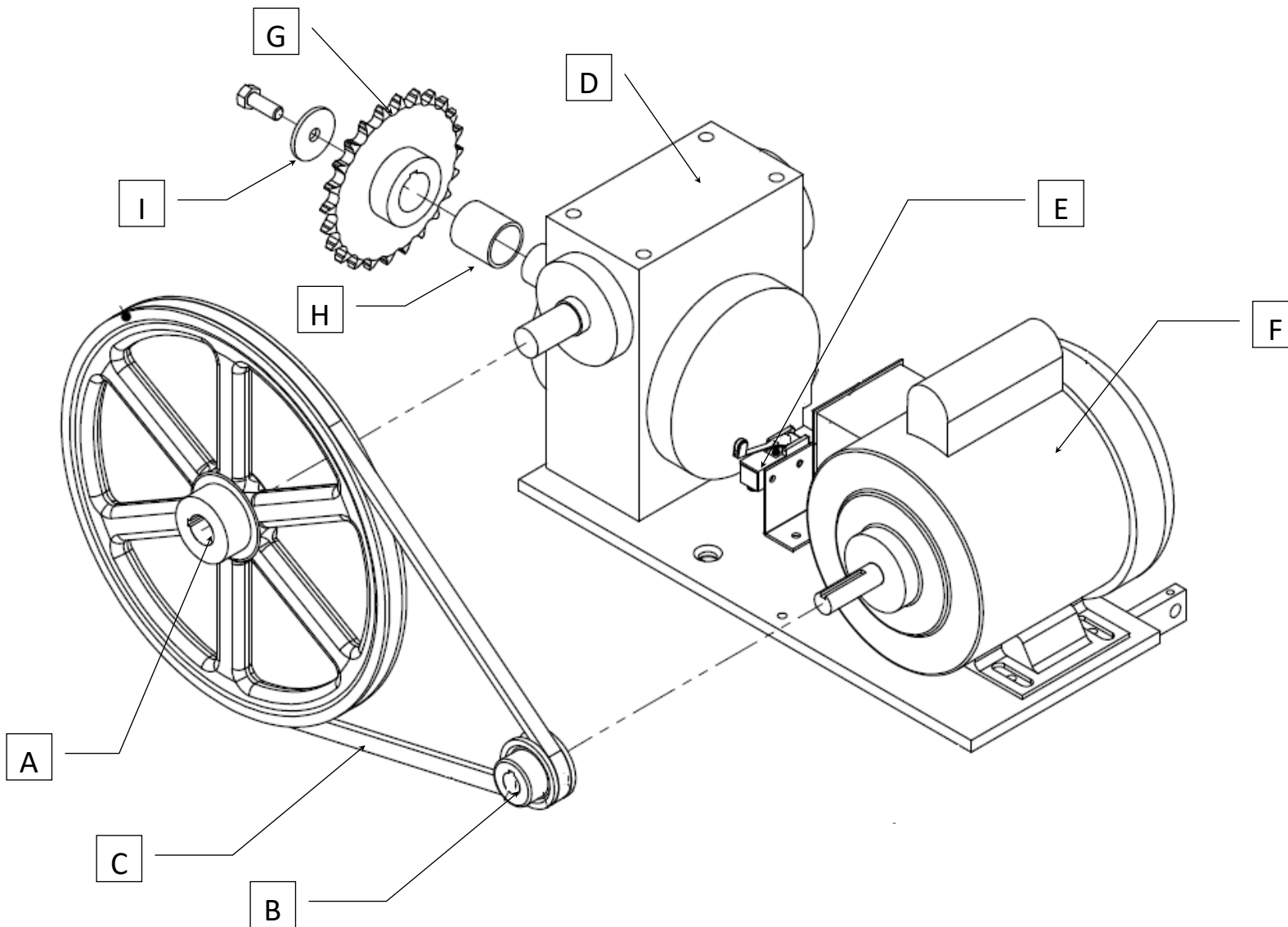
| # | Part # | Description | Model |
|---|---------------------------|---|-------|
| A | ME19-0001 | PULLEY MA120 x 7/8 " | ALL |
| B | ME19-0034 | PULLEY MA30 x 5/8 " | ALL |
| C | ME27-0063 | V BELT | ALL |
| D | ME26-0007 | GEARBOX | ALL |
| E | EL66-0017 | LIMIT SWITCH | ALL |
| F | EL32-0001 | MOTOR 1/2 HP 1725 RPM 115/230V 60Hz 1 PH | ALL |
| G | ME57-0081 | SPROCKET #50, TYPE B, 24 TEETH, 1 1/8" | ALL |
| H | RE800332B | SPROCKET SPACER | ALL |
| I | RE800332A | SPROCKET SPACING WASHER | ALL |

*MODEL SPECIFIC

Description

MECHANIC—60 SECONDS GEARBOX ASSEMBLY





| # | Part # | Description | Model |
|---|-----------|---|-------|
| A | ME19-0001 | PULLEY MA120 x 7/8 " | ALL |
| B | ME19-0002 | PULLEY MA20 x 5/8" | ALL |
| C | ME27-0023 | V BELT | ALL |
| D | ME26-0007 | GEARBOX | ALL |
| E | EL66-0017 | LIMIT SWITCH | ALL |
| F | EL32-0001 | MOTOR 1/2 HP 1725 RPM 115/230V 60Hz 1 PH | ALL |
| G | ME57-0081 | SPROCKET #50, TYPE B, 24 TEETH, 1 1/8" | ALL |
| H | RE800332B | SPROCKET SPACER | ALL |
| I | RE800332A | SPROCKET SPACING WASHER | ALL |

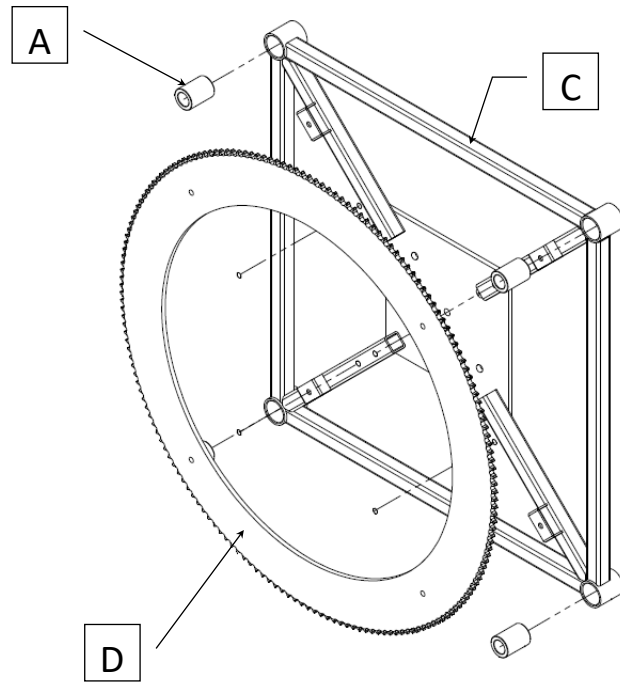
*MODEL SPECIFIC

Description

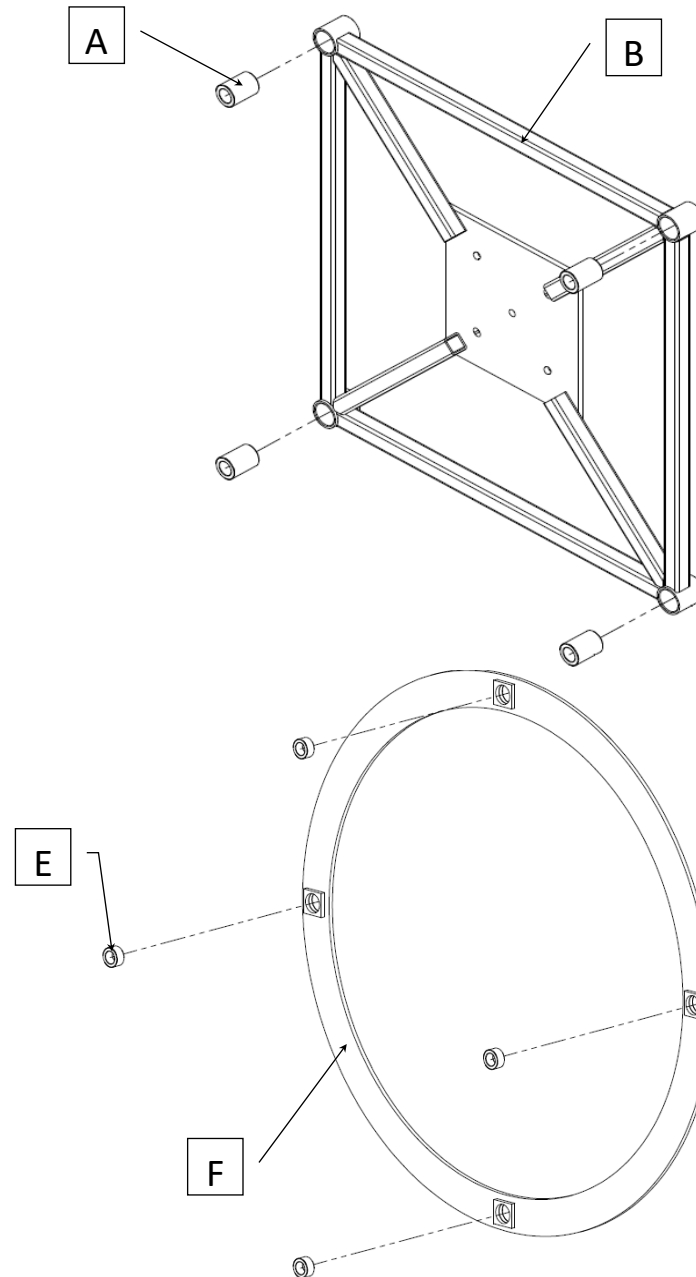
MECHANIC 90 SECONDS GEARBOX ASSEMBLY



LEFT SIDE OF THE UNIT



RIGHT SIDE SIDE OF THE UNIT



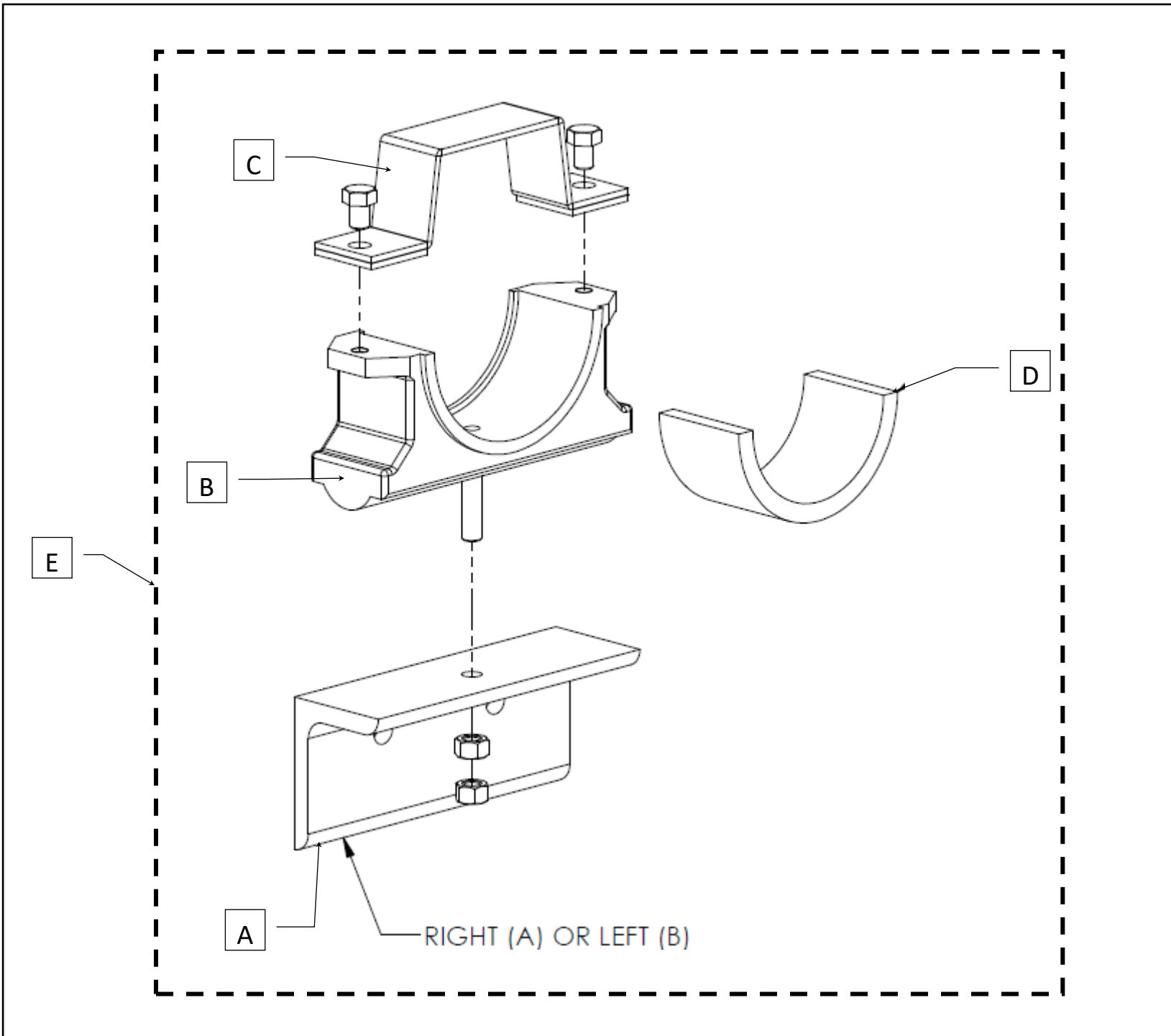
| # | Part # | Description | Model |
|---|-----------|---------------------------|-------|
| A | RE800405 | ROTATING SUPPORT BUSHING | ALL |
| B | RE800040D | RIGHT ROTATING SUPPORT | ALL |
| C | RE800040G | LEFT ROTATING SUPPORT | ALL |
| D | RE800564 | SPROCKET #50 | ALL |
| E | RE800409 | STABILIZING WHEEL BUSHING | ALL |
| F | RE800043 | STABILIZING WHEEL | ALL |

*MODEL SPECIFIC

Description

MECHANIC





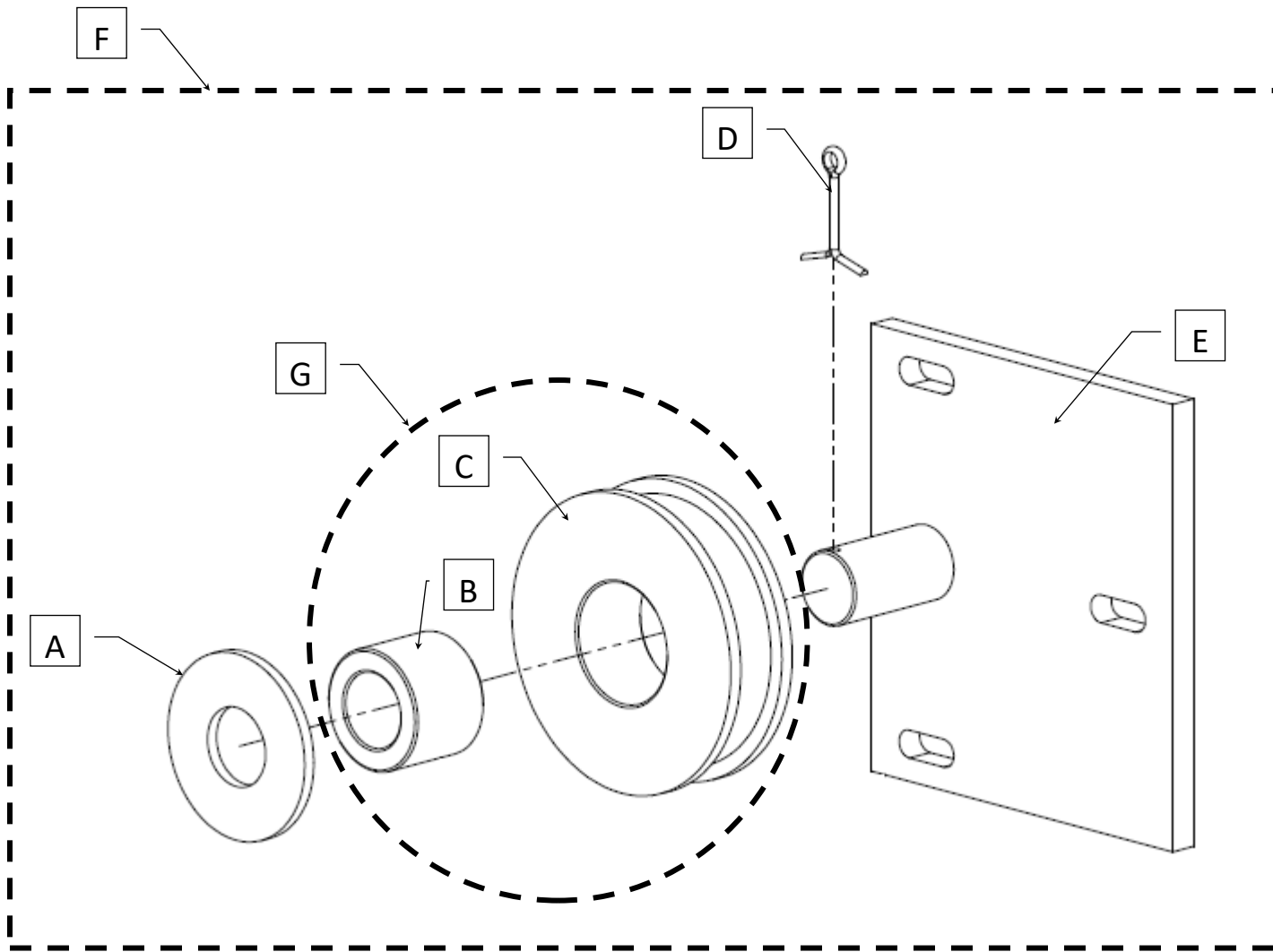
| # | Part # | Description | Model |
|---|--------------------------|-----------------------|-------|
| A | RE800322-A or RE800322-B | PILLOW BLOCK SUPPORT | ALL |
| B | RE800411M | PILLOW BLOCK | ALL |
| C | RE800089 | PILLOW BLOCK COVER | ALL |
| D | RE800413 | PILLOW BLOCK BUSHING | ALL |
| E | RE800047A OR RE800047B | PILLOW BLOCK ASSEMBLY | ALL |

*MODEL SPECIFIC

Description

MECHANIC





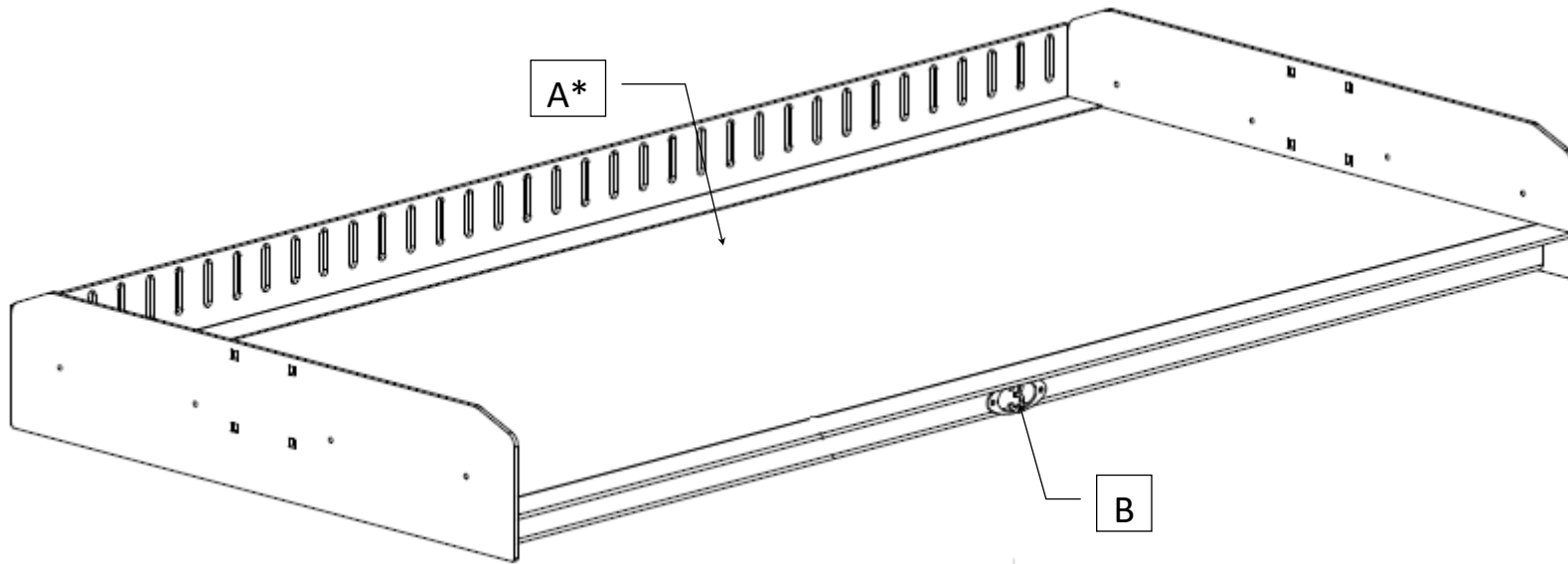
| # | Part # | Description | Model |
|---|-----------|--|-------|
| A | QU28-0287 | FLAT WASHER 1" | ALL |
| B | RE800416 | BUSHING STABILIZER WHEEL | ALL |
| C | RE800417 | SMALL STABILIZING WHEEL | ALL |
| D | QU28-0076 | COTTER PIN 1/8" x 2" | ALL |
| E | RE800049 | SMALL STABILIZING WHEEL SUPPORT | ALL |
| F | RE800050 | SMALL STABILIZING WHEEL ASSEMBLY | ALL |
| G | RE800417A | STABILIZATION WHEEL AND BUSHING ASSEMBLY | ALL |

*MODEL SPECIFIC

Description

MECHANIC





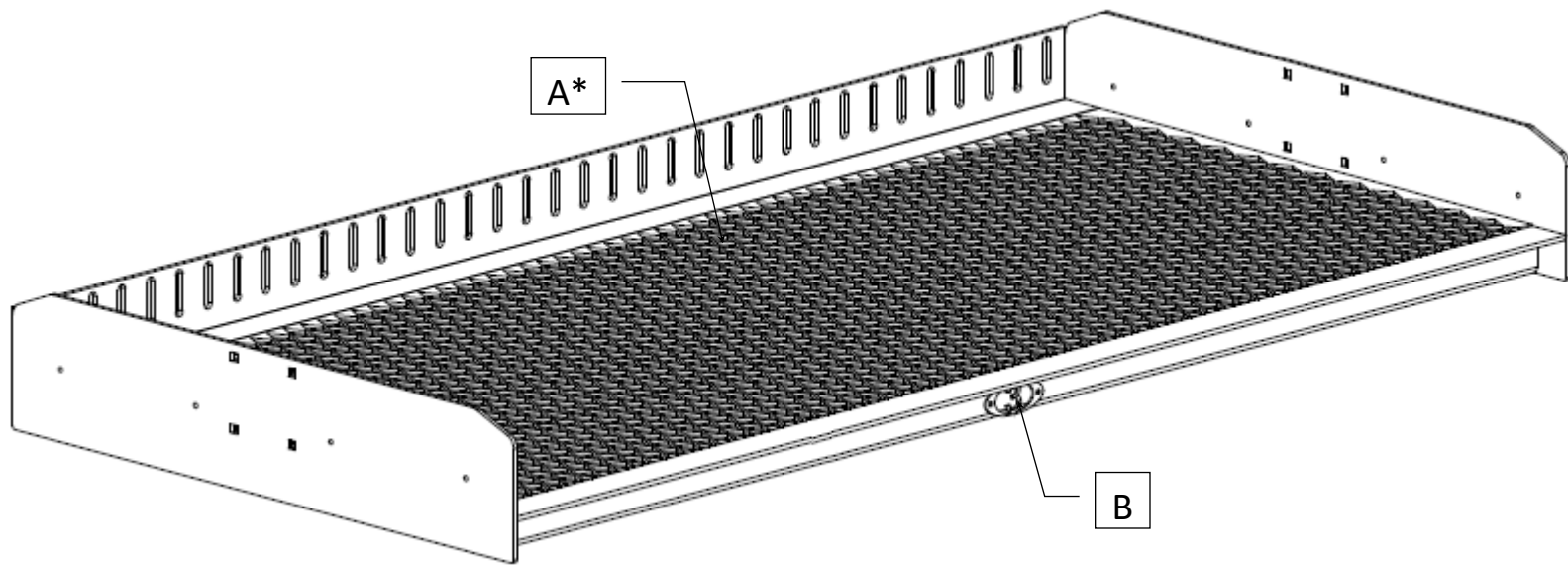
| # | Part # | Description | Model |
|----|-----------------------|-----------------------------|-------|
| A* | RE8"XX"046A | FULL STEEL SHELVES ASSEMBLY | * |
| B | RE800252-X X = 1-8 | NUMBER PLATE | * |

*MODEL SPECIFIC

Description

SHELF-FULL STEEL





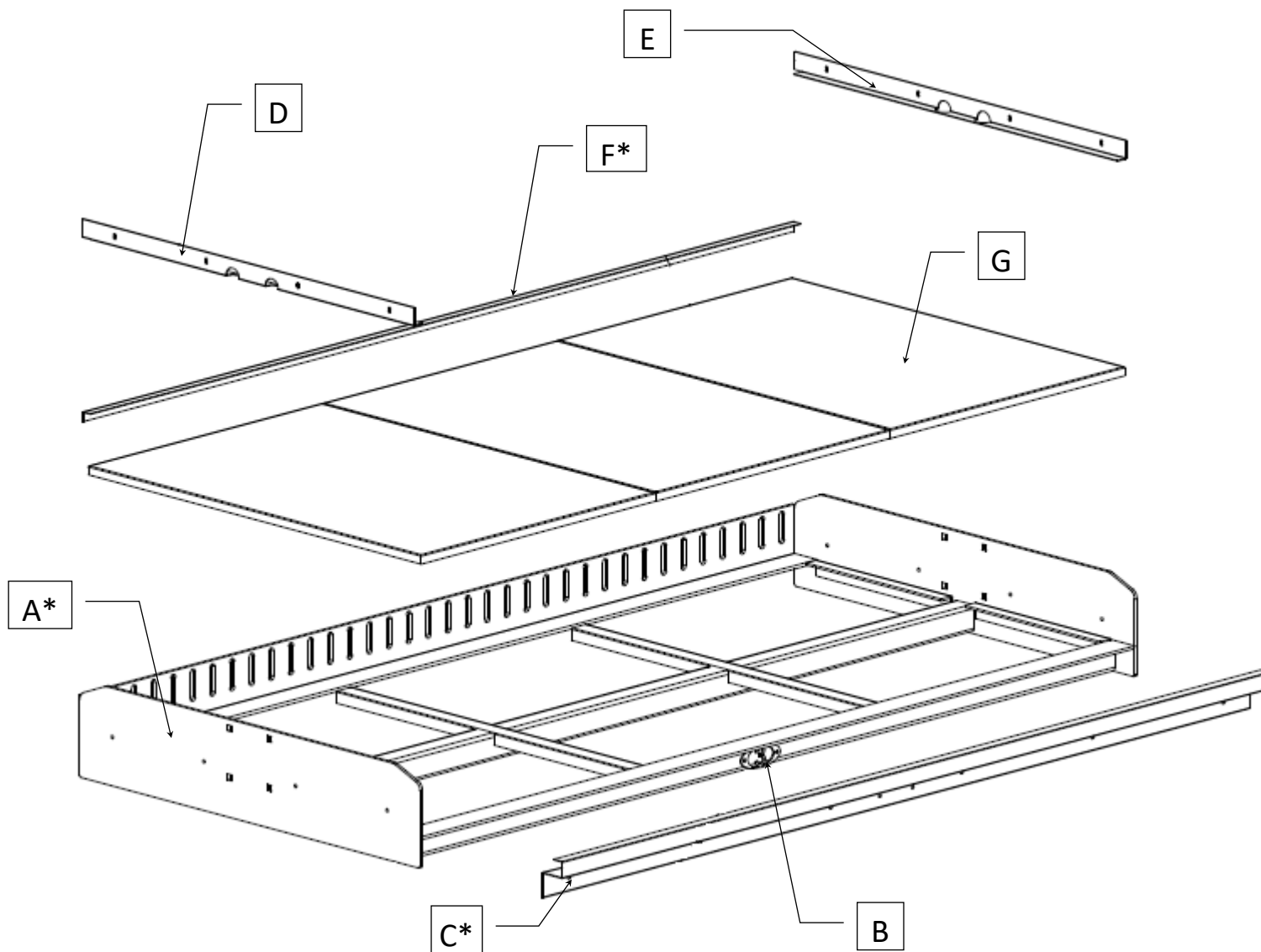
| # | Part # | Description | Model |
|----|-----------------------|-----------------------------------|-------|
| A* | RE8"XX"046B | PERFORATED STEEL SHELVES ASSEMBLY | * |
| B | RE800252-X X = 1-8 | NUMBER PLATE | * |

*MODEL SPECIFIC

Description

SHELF-PERFORATED STEEL





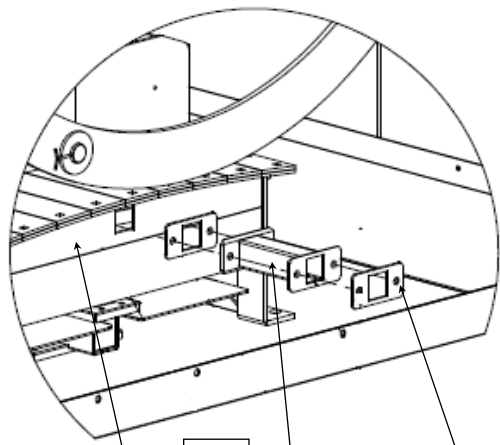
| # | Part # | Description | Model |
|----|-----------------------|---------------------------------------|-------|
| A* | RE8"XX"046C | STONE SHELVES ASSEMBLY | * |
| B | RE800252-X X = 1-8 | NUMBER PLATE | * |
| C | RE8"XX"147A | SHELVE'S FRONT PLATE | * |
| D | RE800217B | LEFT SIDE EDGE BRACKET | ALL |
| E | RE800217A | RIGHT SIDE EDGE BRACKET | ALL |
| F | RE8"XX"148 | STONE GUARD | * |
| G | ME84-0001 | BAKING STONE 1/2" x 17 7/8" x 25 3/4" | ALL |

*MODEL SPECIFIC

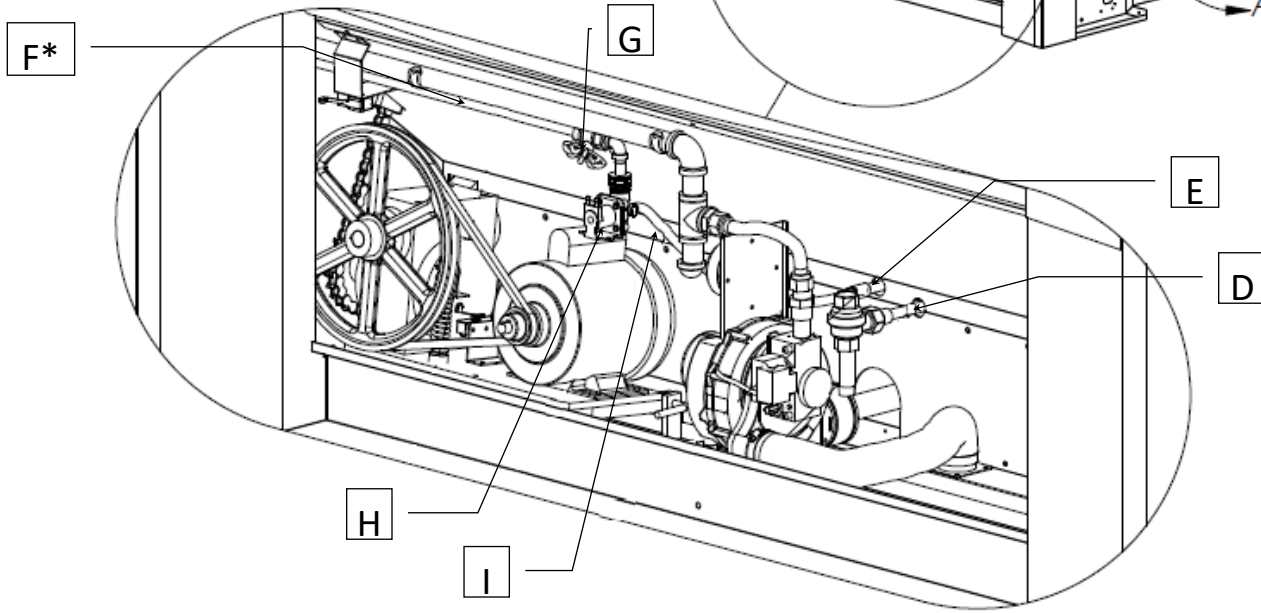
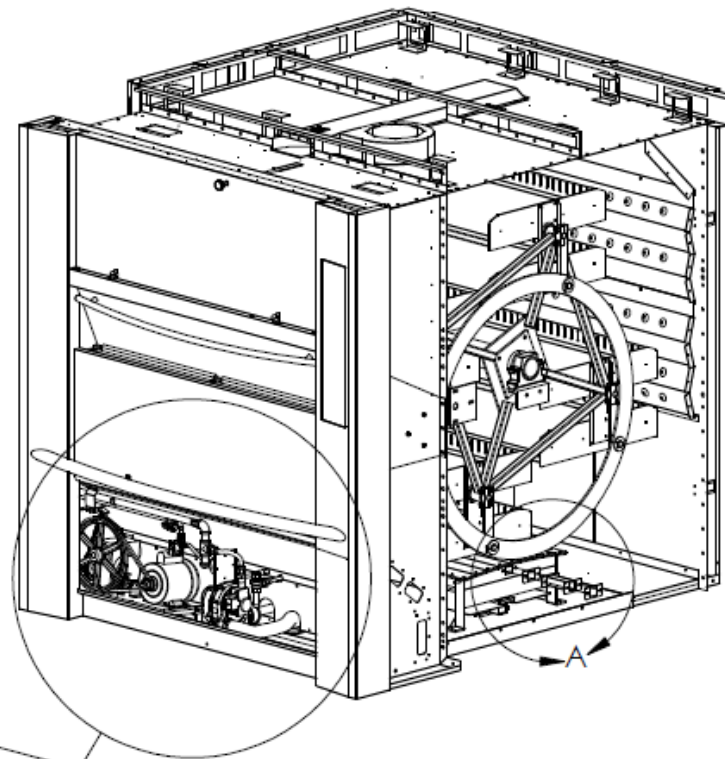
Description

SHELF-STONE





VIEW A A* B* C



| # | Part # | Description | Model |
|---|------------|-------------------------------|-------|
| A | RE8"XX"039 | STEAM PLATE | * |
| B | RE8"XX"088 | STEAM PIPE ATTACH | * |
| C | RE800436 | STEAM PIPE JOINT | ALL |
| D | RE800065 | WATER OUTLET | ALL |
| E | RE800066 | WATER RETURN | ALL |
| F | RE8"XX"058 | WATER INLET | * |
| G | PL07-0009 | GATE VALVE 1/4 NPT | ALL |
| H | PL07-0050 | SOLENOID VALVE 24V/60 1/4 NPT | ALL |
| I | RE800450 | WATER HOSE | ALL |

*MODEL SPECIFIC

Description

MECHANIC

