

Winston
Collectramatic® Fryer
(Surface Mount 'S' controls)
Parts Identification Manual



2345 Carton Drive
Louisville, KY 40299 USA
(800) 234-5286
(502) 495-5400

WINSTON COLLECTRAMATIC FRYER

Table of Contents

Photo Reference	1 - 6
Parts Descriptions & Order Numbers	7 - 10

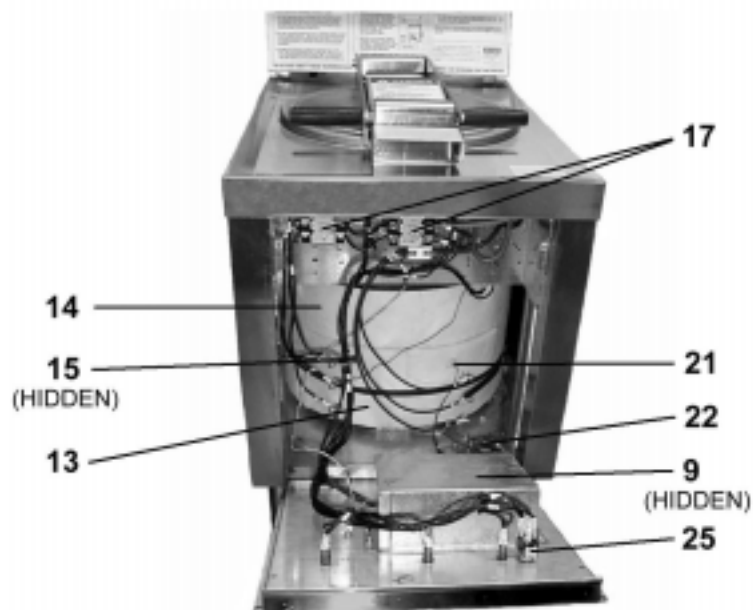
How To Use This Manual

Use Photo Reference (pages 1 - 6) to identify parts. Match Photo Reference numbers with Parts Descriptions and Order Numbers (pages 7 - 10).

WINSTON COLLECTRAMATIC FRYER

Parts Identification

NOTE: See pages 7 - 10
for Parts Descriptions
and Order Numbers



To order parts, contact your Winston representative or call the International office:

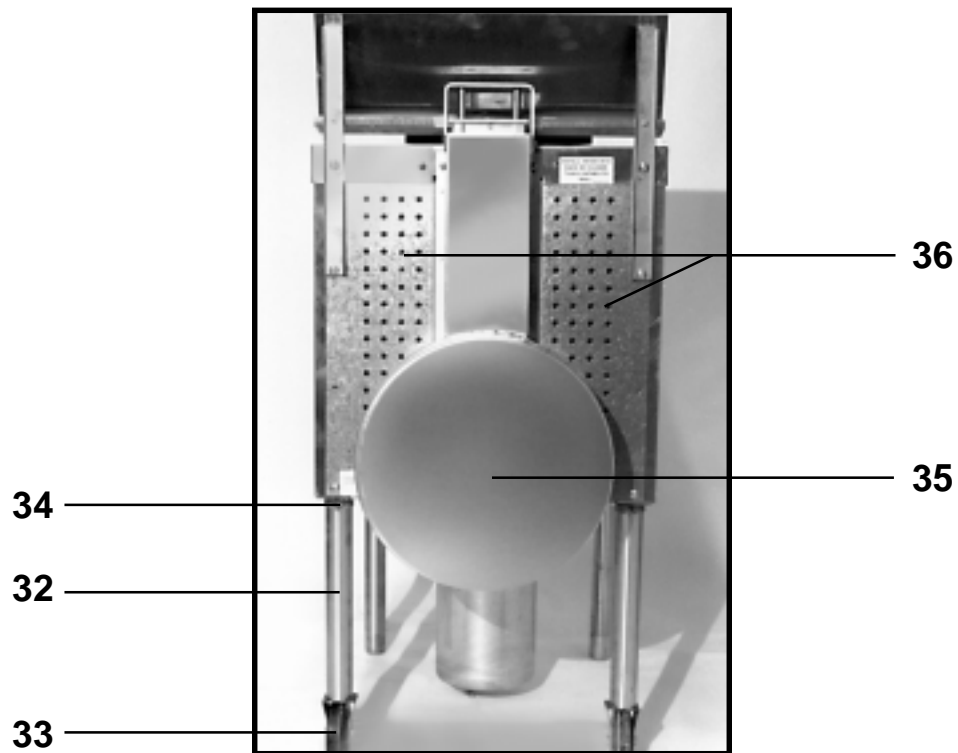
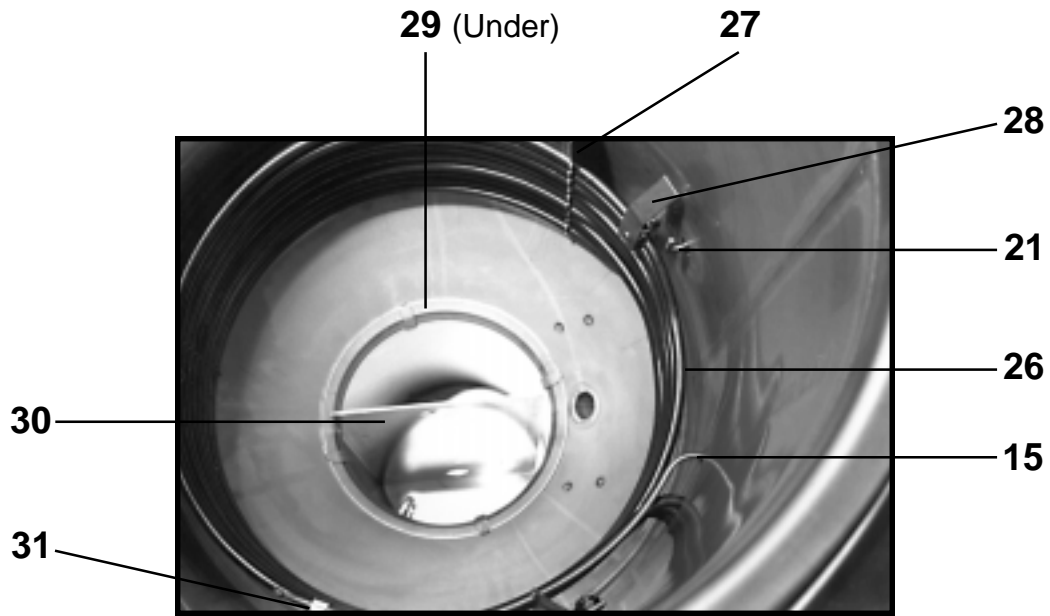
Winston Products Co.

(800) 234-5286 USA & Canada/USA TEL: (502) 495-5400/USA FAX: (502) 495-5458

WINSTON COLLECTRAMATIC FRYER

Parts Identification

NOTE: See pages 7 - 10
for Parts Descriptions
and Order Numbers



To order parts, contact your Winston representative or call the International office:

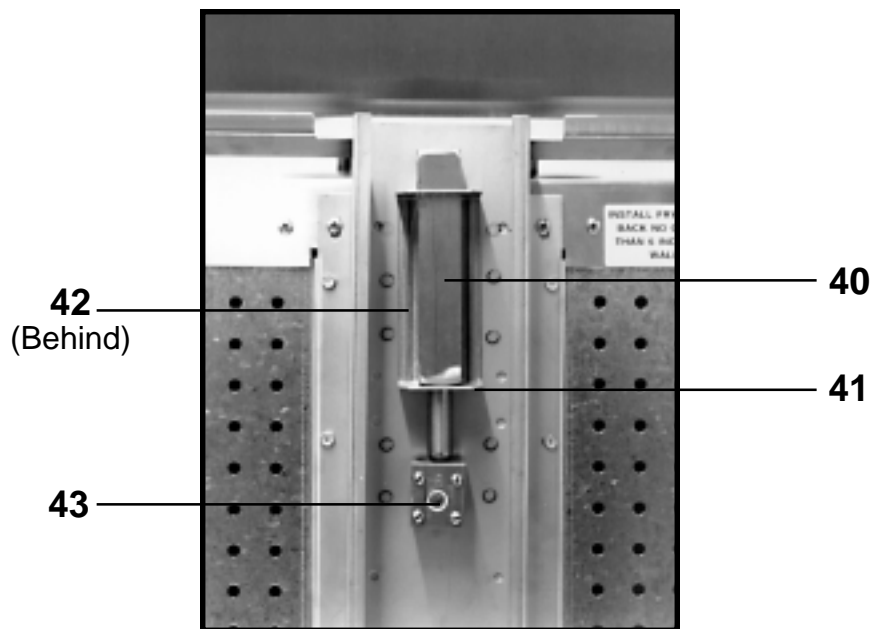
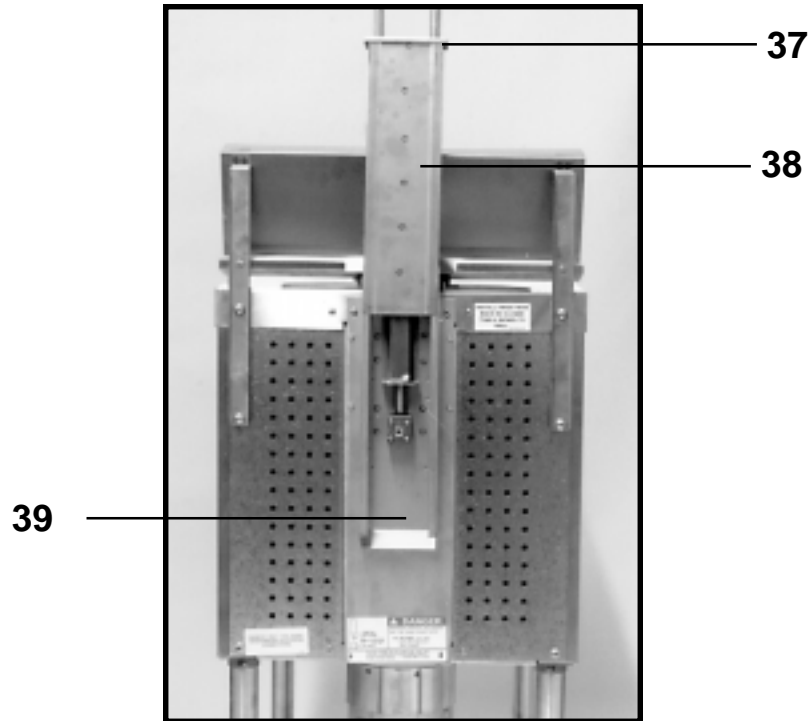
Winston Products Co.

(800) 234-5286 USA & Canada/USA TEL: (502) 495-5400/USA FAX: (502) 495-5458

WINSTON COLLECTRAMATIC FRYER

Parts Identification

NOTE: See pages 7 - 10
for Parts Descriptions
and Order Numbers



To order parts, contact your Winston representative or call the International office:

Winston Products Co.

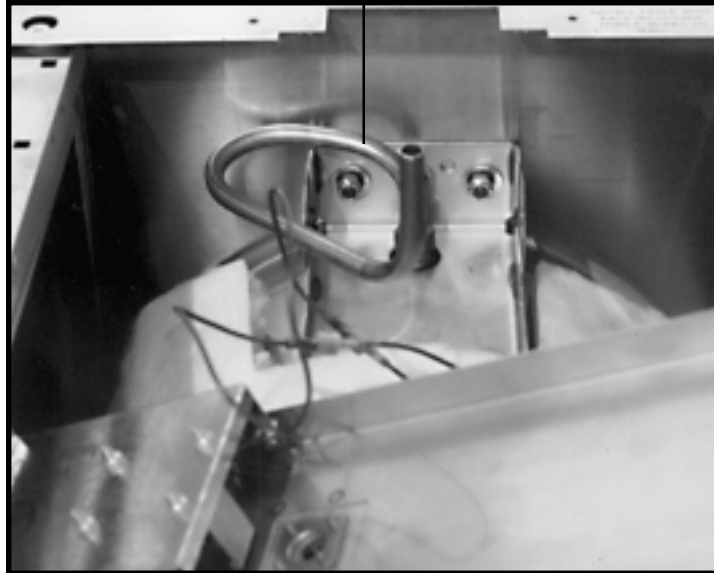
(800) 234-5286 USA & Canada/USA TEL: (502) 495-5400/USA FAX: (502) 495-5458

WINSTON COLLECTRAMATIC FRYER

Parts Identification

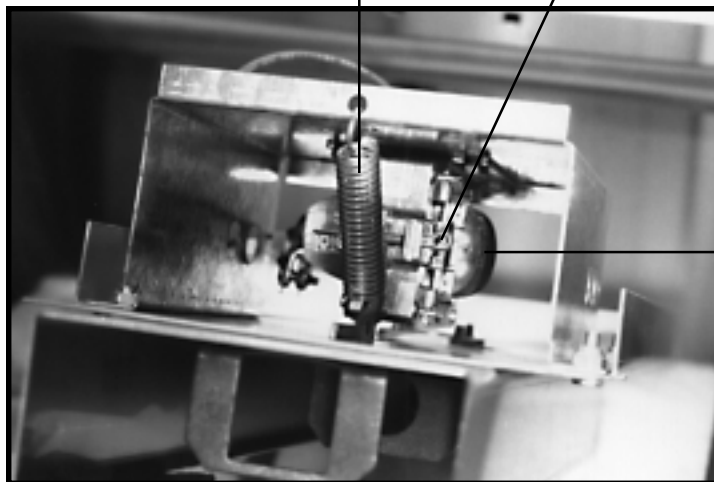
NOTE: See pages 7 - 10
for Parts Descriptions
and Order Numbers

44



45

47



46

To order parts, contact your Winston representative or call the International office:

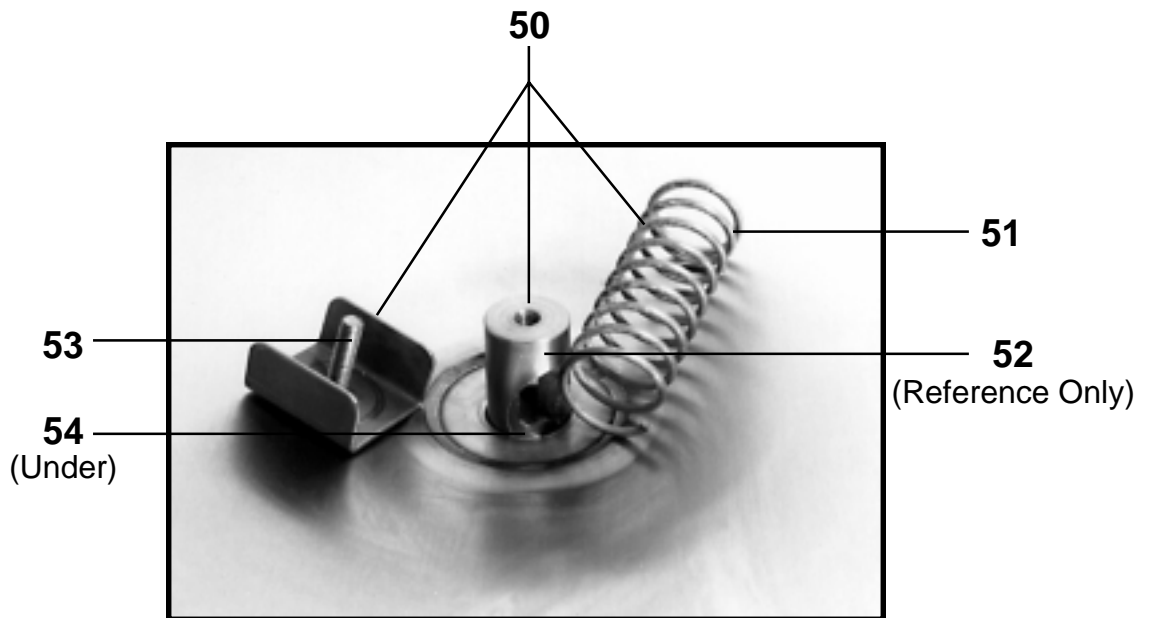
Winston Products Co.

(800) 234-5286 USA & Canada/USA TEL: (502) 495-5400/USA FAX: (502) 495-5458

WINSTON COLLECTRAMATIC FRYER

Parts Identification

NOTE: See pages 7 - 10
for Parts Descriptions
and Order Numbers



To order parts, contact your Winston representative or call the International office:

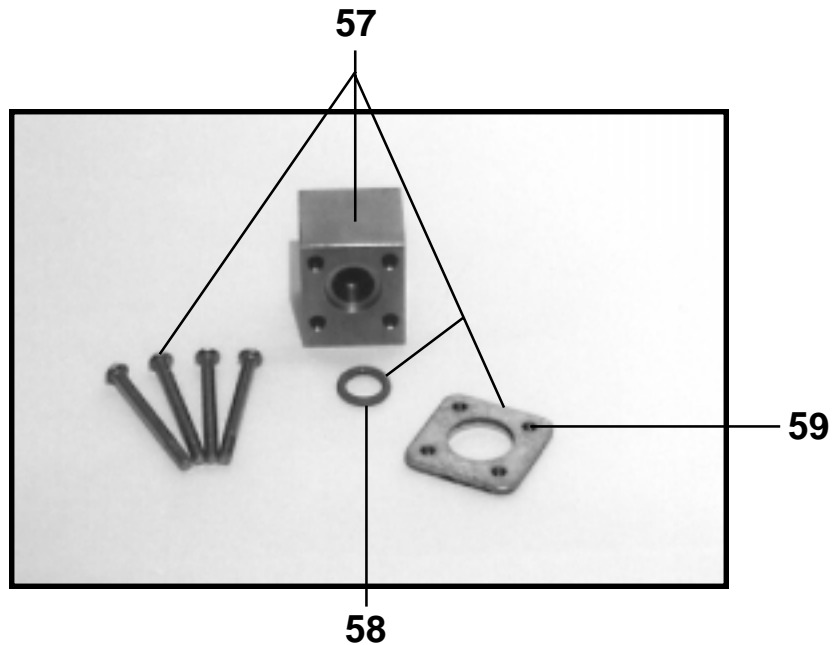
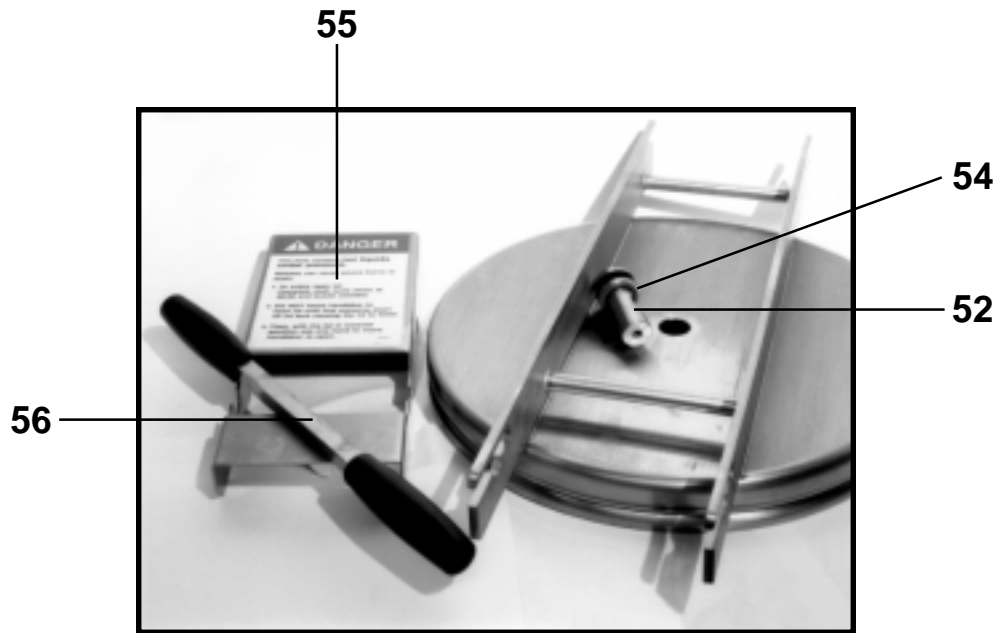
Winston Products Co.

(800) 234-5286 USA & Canada/USA TEL: (502) 495-5400/USA FAX: (502) 495-5458

WINSTON COLLECTRAMATIC FRYER

Parts Identification

NOTE: See pages 7 - 10
for Parts Descriptions
and Order Numbers



To order parts, contact your Winston representative or call the International office:

Winston Products Co.

(800) 234-5286 USA & Canada/USA TEL: (502) 495-5400/USA FAX: (502) 495-5458

WINSTON COLLECTRAMATIC FRYER

Parts Identification

Photo Reference Number	Part Description	Order Number
1	Danger Panel	PS1210
2	Latch Block <i>(Front) (Bottom Lock)</i>	PS1399
3	Hinge Block <i>(Rear)</i>	PS1400
5	Switch Guard	PS1086
6	Hi Limit Indicator Lamp	PS2298
7	Heat On Indicator Lamp	PS2298
8	Power On Indicator Lamp	PS2298
9	Circuit Board Asm	<i>Ref. Only</i>
10	Leg Front	PS1933
11	Collector	PS1206
12	Lid Bottom Lock	PS1046
13	Insulation Front Sections <i>(4 HD & 6 HD)</i>	PS1986
14	Insulation <i>(4 HD)</i> Insulation <i>(6 HD)</i>	PS1031 PS1792
15	High Limit Thermostat	PS1184
17	Electromechanical Relay	PS1007
21	Thermister Probe	PS2040

To order parts, contact your Winston representative or call the International office:

Winston Products Co.

(800) 234-5286 USA & Canada/USA TEL: (502) 495-5400/USA FAX: (502) 495-5458

WINSTON COLLECTRAMATIC FRYER

Parts Identification

Photo Reference Number	Part Description	Order Number
22	Speaker Asm	PS2360
25	On/Off Switch	PS1529
26	Heater (240 Volt) Heater (208 Volt)	PS1148 PS1147
27	Heater Holder	PS1430
28	Probe Guard	PS1744
29	Collector Gasket	PS1892/3
30	Heat Plate	PS1034
31	High Limit Thermostat Clamp	PS1312
32	Leg Rear With Wheel	PS1934
33	Wheel Assembly	PS1226/2
34	Leg Clamp Assembly	PS1621
35	Muffler	PS1152
36	Back Panel (4 HD) Back Panel (6 HD)	PS1697 PS1698
37	Vent Back Cap	PS1729
38	Vent Back Assembly	PS1156

To order parts, contact your Winston representative or call the International office:

Winston Products Co.

(800) 234-5286 USA & Canada/USA TEL: (502) 495-5400/USA FAX: (502) 495-5458

WINSTON COLLECTRAMATIC FRYER

Parts Identification

Photo Reference Number	Part Description	Order Number
39	Vent Assembly (4 HD) Vent Assembly (6 HD)	PS1653 PS1686
40	Weight (4 HD) Weight (6 HD) <i>Note: When identifying correct weight for ordering, read PSI engraved on weight lifter.</i>	PS1071 PS1073
41	Weight Lifter (4 HD) Weight Lifter (6 HD)	PS1039 PS1073
42	Teflon Slide	PS1075/3
43	Vent Block Assembly (4 HD) Vent Block Assembly (6 HD)	PS1026 PS1684
44	Vent Tube (4 HD) Vent Tube (6 HD)	PS1322 PS1678
45	Vent Solenoid Spring	PS1320/3
46	Vent Solenoid	PS1088
47	Vent Solenoid Cotter Pin	PS1121/3
48	Drain Valve	PS1066
49	Drain Valve Handle	PS1695
50	Lid Valve Assembly	PS1127
51	Lid Valve Spring	PS1028/3

To order parts, contact your Winston representative or call the International office:

Winston Products Co.

(800) 234-5286 USA & Canada/USA TEL: (502) 495-5400/USA FAX: (502) 495-5458

WINSTON COLLECTRAMATIC FRYER

Parts Identification

Photo Reference Number	Part Description	Order Number
52	Lid Valve Body	<i>Ref. Only</i>
53	Lid Valve Retainer	PS1057
54	Lid Valve O-Ring	PS1010/3
55	Lid Lock (<i>Bottom Lock</i>)	PS1449
56	Handle Bar (<i>Bottom Lock</i>)	PS1168
57	Vent Block Assembly (<i>4 HD</i>) Vent Block Assembly (<i>6 HD</i>)	PS1026 PS1684
58	Vent Tube O-Ring	PS1005/3
59	Vent Block Nut Plate	PS1704/6

NOTE: See pages 1 - 6
for Photo Reference

Lit. #4275T166 - 8/98

To order parts, contact your Winston representative or call the International office:

Winston Products Co.

(800) 234-5286 USA & Canada/USA TEL: (502) 495-5400/USA FAX: (502) 495-5458