



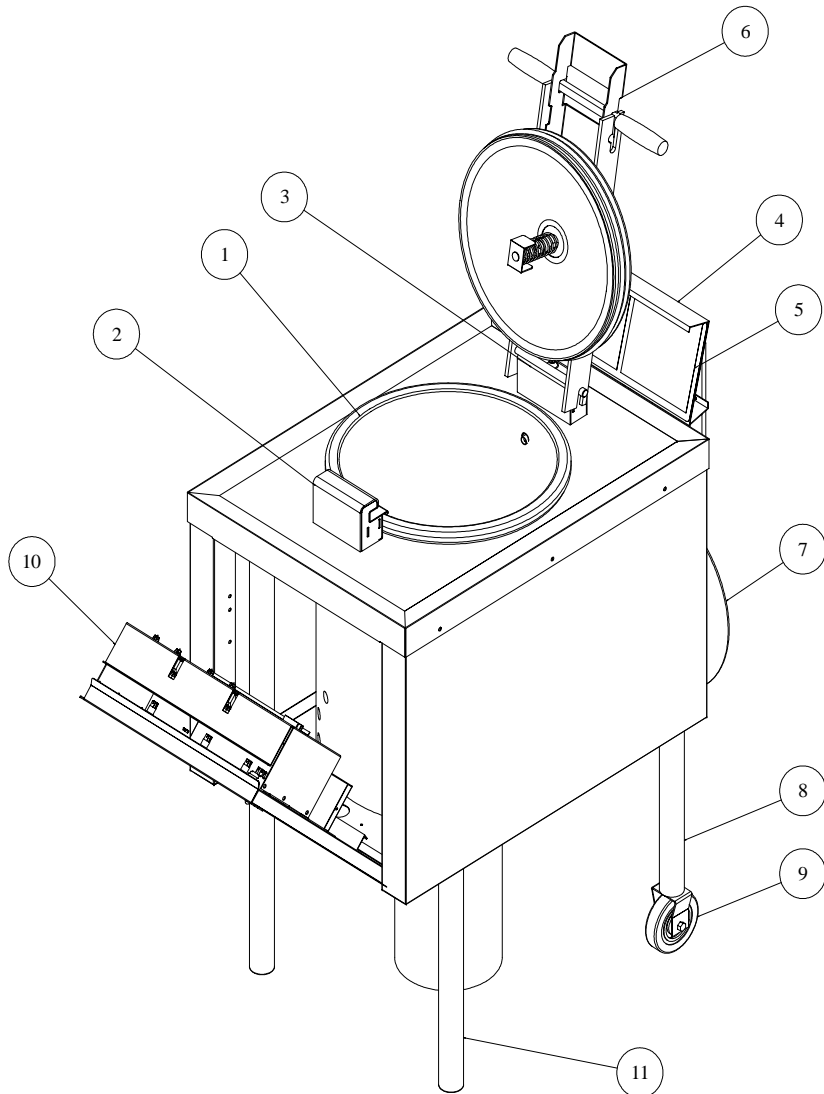
PF46C and PF56C Pressure Fryer

Parts Identification Manual

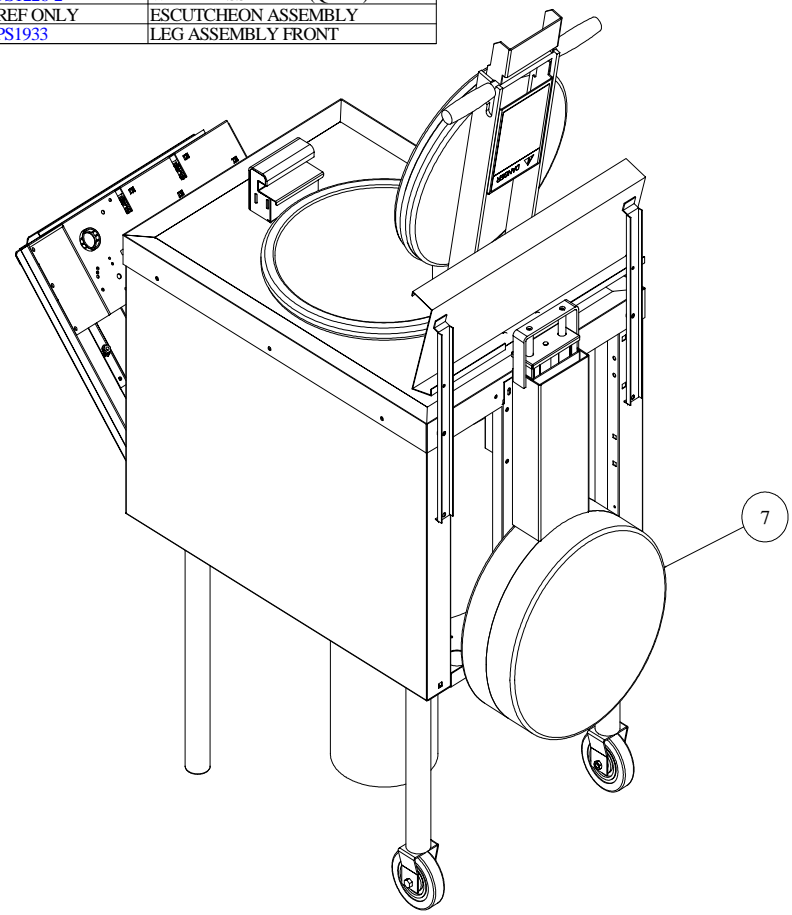


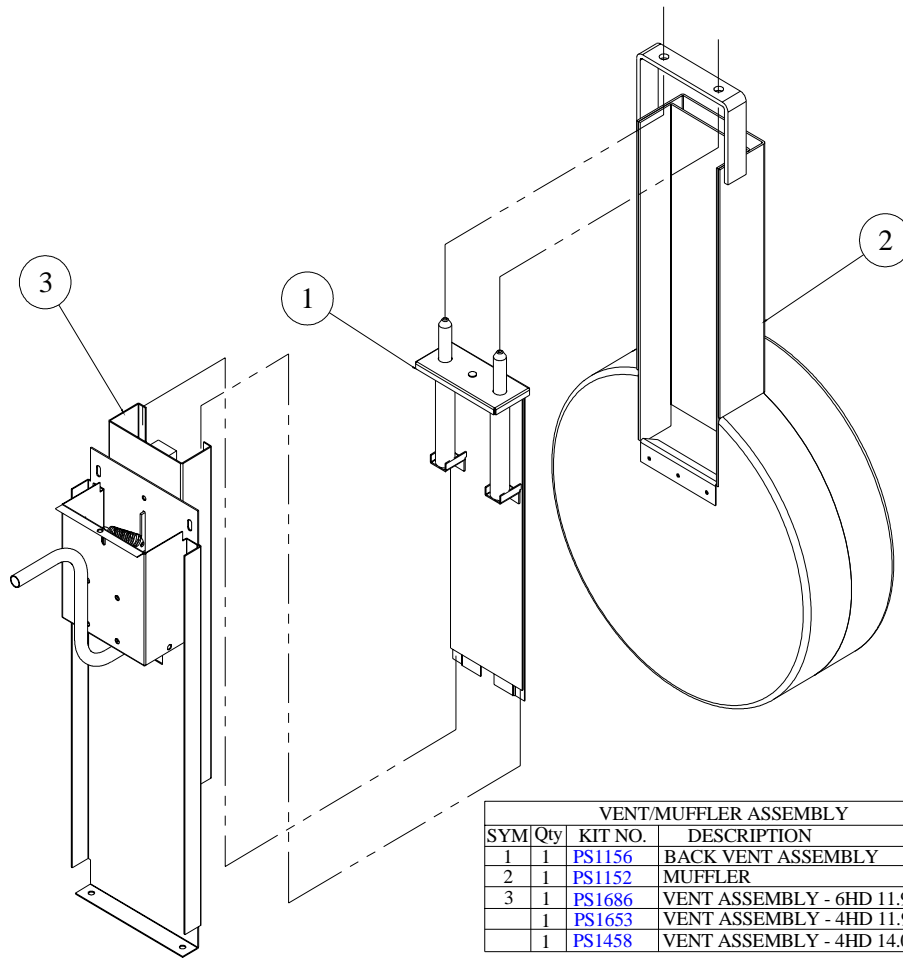
Table of Contents

Main Assembly.....	page 1
Vent Muffler Assembly.....	page 2
Vent Assembly.....	page 3
Pot Assembly.....	page 4
Lid Assembly.....	page 5
Escutcheon (front) Assembly.....	page 6
Relay Panel Assembly.....	page 7
Schematic – Delta Configuration.....	page 8
Schematic – Wye Configuration.....	page 9

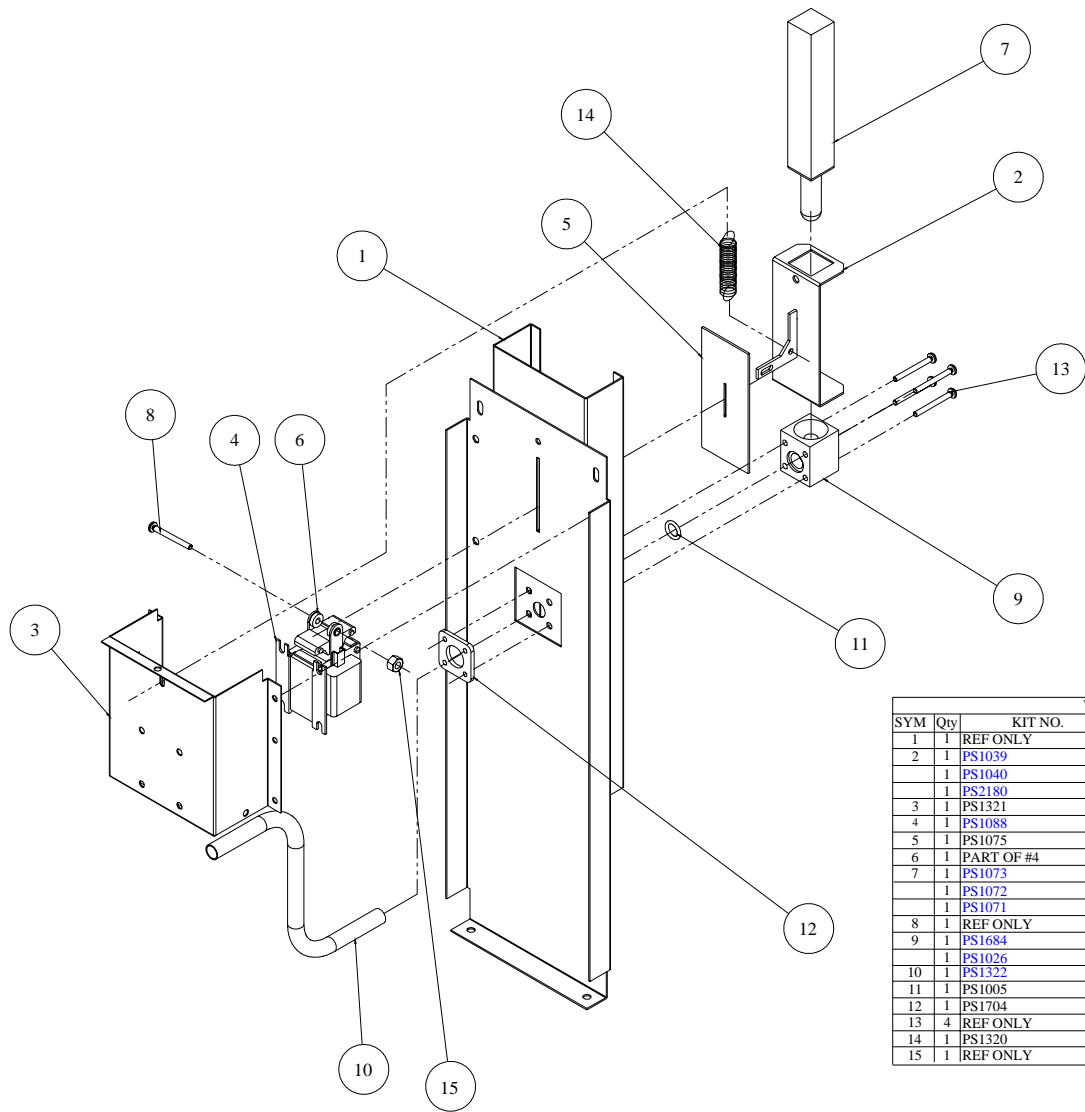


FRYER ASSEMBLY			
SYM	Qty	KIT NO.	DESCRIPTION
1	1	REF ONLY	POT ASSEMBLY
2	1	PS1399	BLOCK FRONT ASSEMBLY
3	1	PS1400	BLOCK REAR ASM
4	1	PS1210	BACKSPLASH PANEL
5	2	PS1318	BACKSPLASH LABEL
6	1	PS1459	LID ASSEMBLY
7	1	REF ONLY	VENT/MUFFLER ASSEMBLY
8	2	PS1934	LEG ASSEMBLY REAR
9	2	PS1226-2	WHEEL ASSEMBLY (QTY 2)
10	1	REF ONLY	ESCUTCHEON ASSEMBLY
11	1	PS1933	LEG ASSEMBLY FRONT

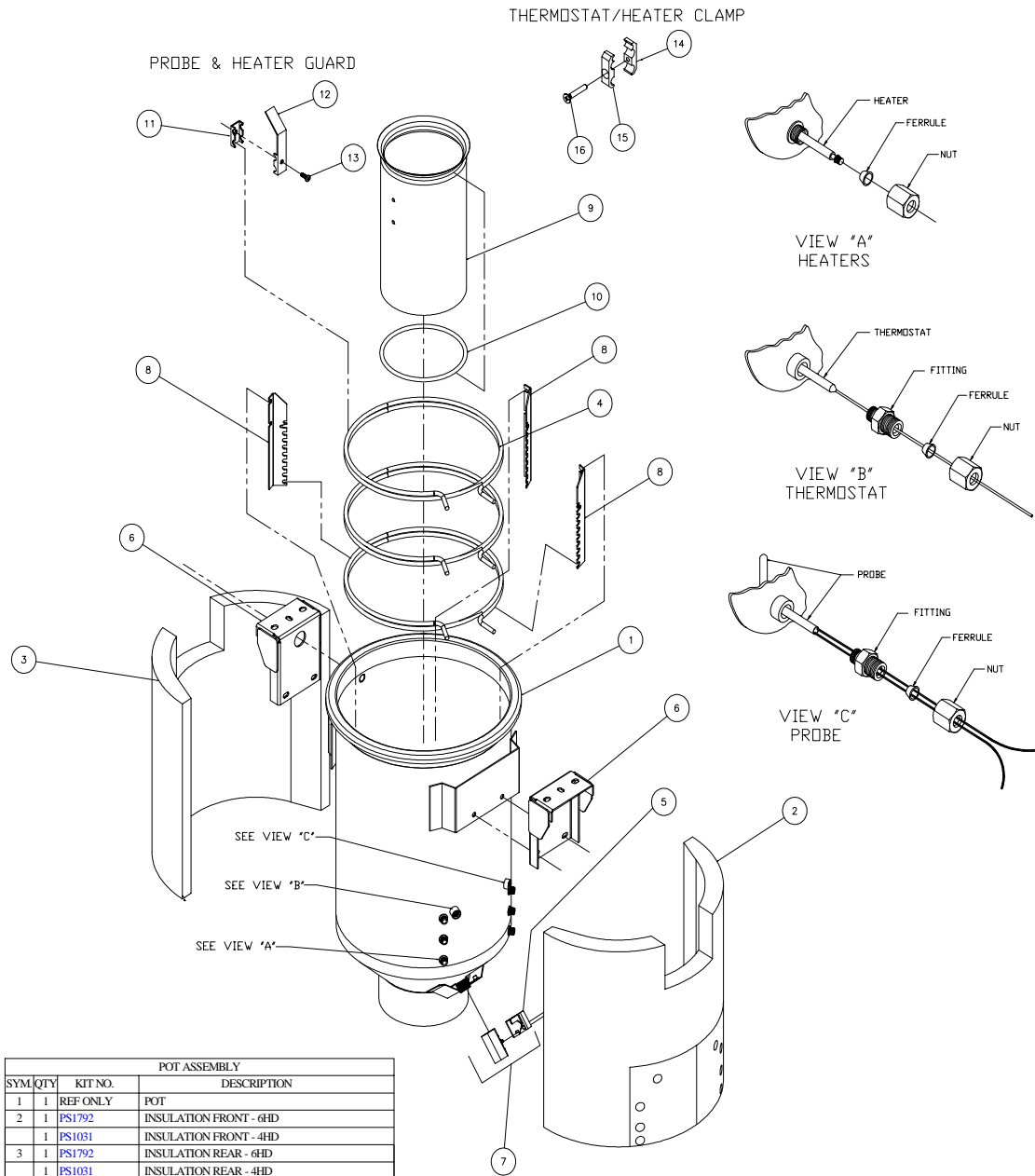




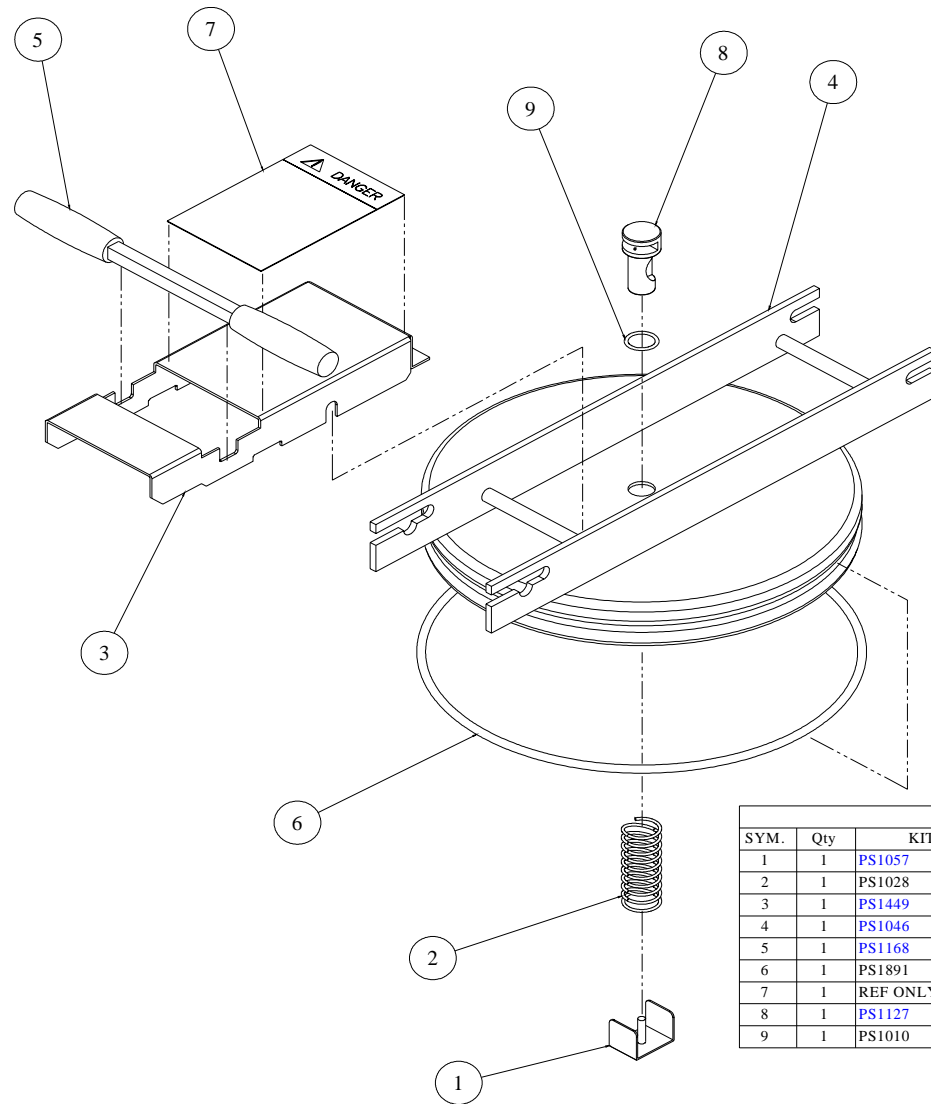
VENT/MUFFLER ASSEMBLY			
SYM	Qty	KIT NO.	DESCRIPTION
1	1	PS1156	BACK VENT ASSEMBLY
2	1	PS1152	MUFFLER
3	1	PS1686	VENT ASSEMBLY - 6HD 11.9PSI
	1	PS1653	VENT ASSEMBLY - 4HD 11.9PSI
	1	PS1458	VENT ASSEMBLY - 4HD 14.0PSI



VENT ASSEMBLY			
SYM	Qty	KIT NO.	DESCRIPTION
1	1	REF ONLY	VENT WELD ASSEMBLY
2	1	PS1039	WEIGHT LIFTER - 6HD 11.9PSI
	1	PS1040	WEIGHT LIFTER - 4HD 11.9PSI
	1	PS2180	WEIGHT LIFTER - 4HD 14.0PSI
3	1	PS1321	BRACKET SOLENOID
4	1	PS1088	SOLENOID
5	1	PS1075	SLIDE
6	1	PART OF #4	SOLENOID TOP (PART OF PS1088)
7	1	PS1073	WEIGHT - 6HD 11.9PSI
	1	PS1072	WEIGHT - 4HD 11.9PSI
	1	PS1071	WEIGHT - 4HD 14.0PSI
8	1	REF ONLY	SCREW 8-32x 1.500
9	1	PS1684	BLOCK VENT - 6HD
	1	PS1026	BLOCK VENT - 4HD
10	1	PS1322	TUBE VENT
11	1	PS1005	O-RING
12	1	PS1704	PLATE NUT VENT
13	4	REF ONLY	SCREW 8-32x 1.75
14	1	PS1320	SPRING VENT
15	1	REF ONLY	NUT NYLON INSERT 8-32

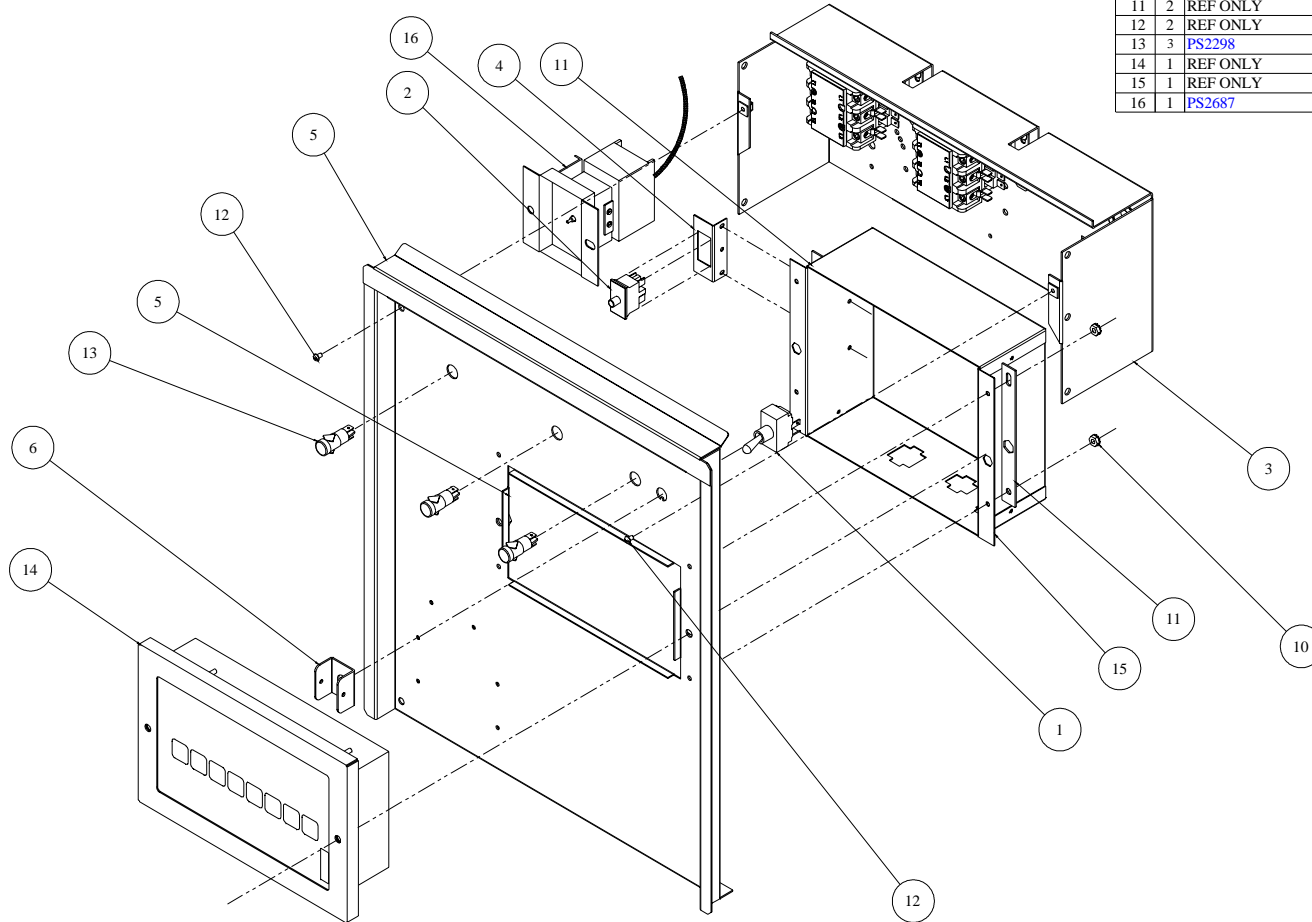


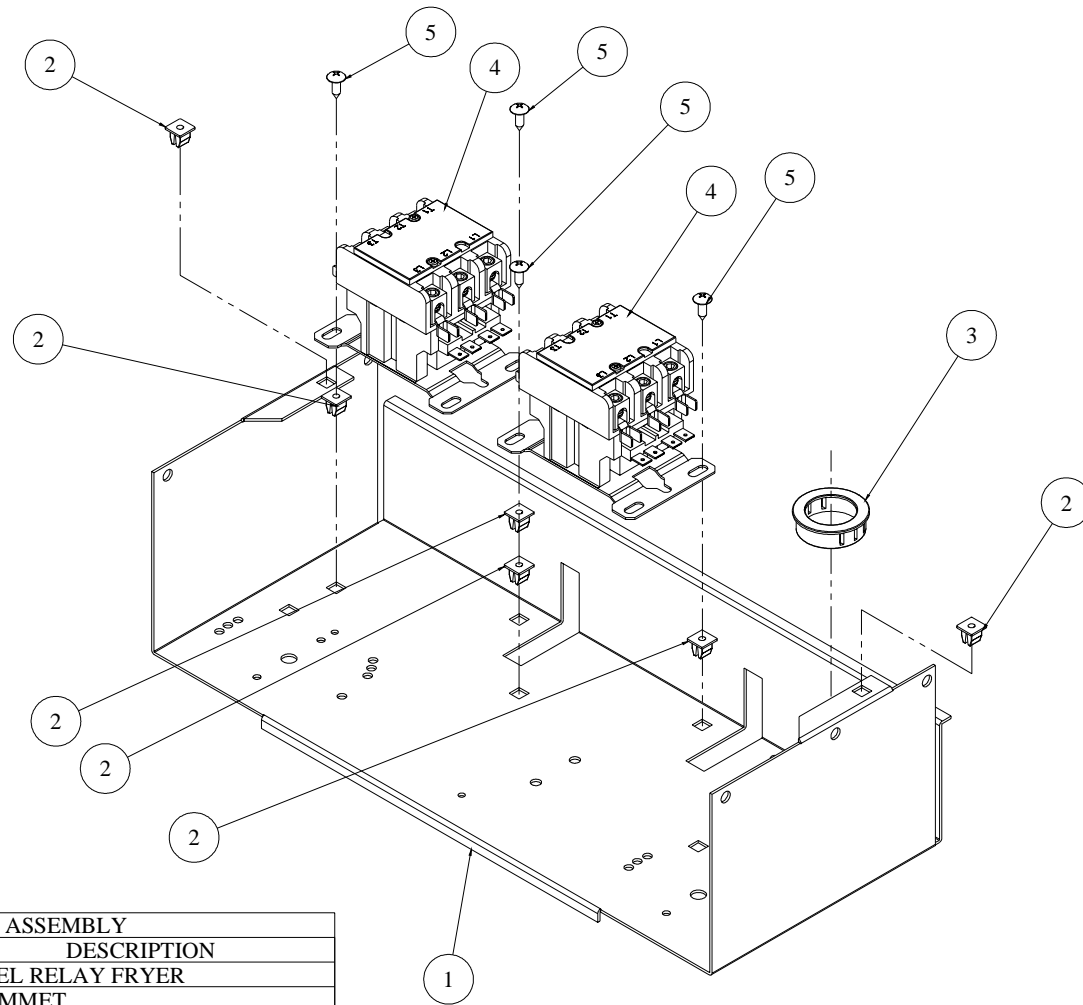
POT ASSEMBLY			
SYM	QTY	KIT NO.	DESCRIPTION
1	1	REF ONLY	POT
2	1	PS1792	INSULATION FRONT - 6HD
	1	PS1031	INSULATION FRONT - 4HD
3	1	PS1792	INSULATION REAR - 6HD
	1	PS1031	INSULATION REAR - 4HD
4	3	PS1147	HEATER 3500W - 208V
	3	PS1148	HEATER 3500W - 240V
	3	PS2300	HEATER 3500W - 230V
5	1	PS1695	DRAIN VALVE HANDLE ASM
6	2	REF ONLY	BRACKET
7	1	PS1066	VALVE BALL 3/4"
8	3	PS1430	HOLDER HEATER
9	1	PS1207	COLLECTOR - AUSTRALIA
	1	PS1206	COLLECTOR - ALL OTHERS
10	1	PS1892	GASKET COLLECTOR
11	1	PART OF #12	CLAMP PROBE
12	2	PS1744	SHEILD PROBE
13	1	REF ONLY	SCREW
14	1	PS1744	CLAMP BODY
15	1	PART OF #14	PLATE CLAMP
16	1	PART OF #14	SCREW 8-32



LID ASSEMBLY			
SYM.	Qty	KIT NO.	DESCRIPTION
1	1	PS1057	RETAINER ASM
2	1	PS1028	SPRING
3	1	PS1449	LID LOCK
4	1	PS1046	LID BOTTOM LOCK ASM
5	1	PS1168	HANDLE
6	1	PS1891	LID GASKET
7	1	REF ONLY	LABEL LID LOCK "DANGER"
8	1	PS1127	LID VALVE
9	1	PS1010	LID VALVE O-RING

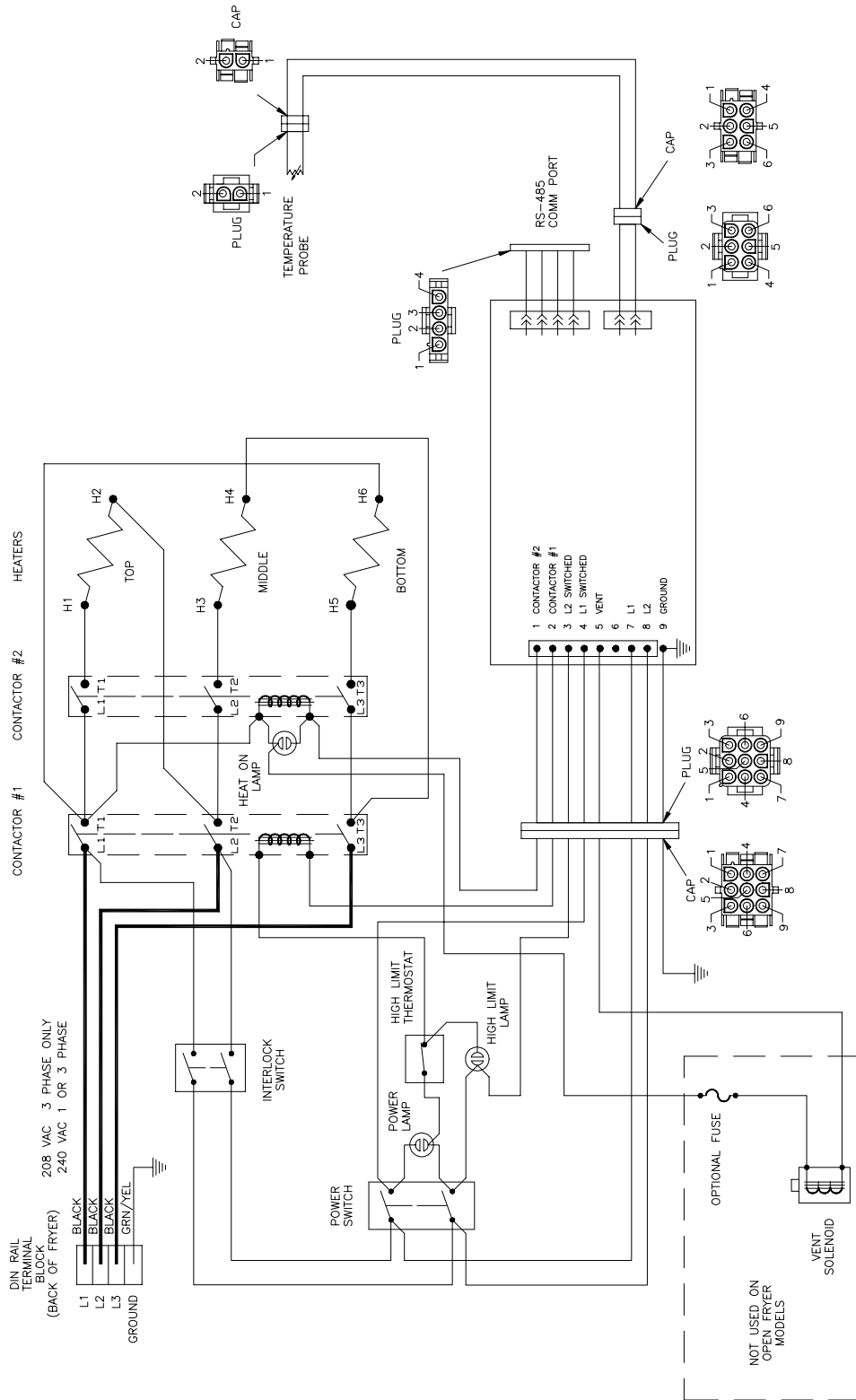
ESCUTCHEON ASSEMBLY			
SYM.	Qty	KIT NO.	DESCRIPTION
1	1	PS1529	SWITCH POWER
2	1	PS2302	SWITCH POWER INTERLOCK
3	1	REF ONLY	RELAY PANEL ASSEMBLY
4	1	REF ONLY	BRACKET SWITCH
5	1	REF ONLY	ESCUTCHEON
6	1	PS1086	GUARD SWITCH
10	4	REF ONLY	NUT KEPS 8-32
11	2	REF ONLY	RETAINER STRIP
12	2	REF ONLY	SCREW 6-32x .313 RD HD PH
13	3	PS2298	LAMP NEON RED
14	1	REF ONLY	CONTROL ASM
15	1	REF ONLY	HOUSING CONTROLS
16	1	PS2687	THERMOSTAT HIGH LIMIT





RELAY PANEL ASSEMBLY			
SYM	Qty	KIT NO.	DESCRIPTION
1	1	REF ONLY	PANEL RELAY FRYER
2	6	PS1271	GROMMET
3	1	REF ONLY	BUSHING PANEL 1.375
4	2	PS1007	RELAY - US ONLY
	2	PS2299	RELAY - ALL OTHERS
5	4	REF ONLY	SCREW

DELTA Configuration



Winston Industries, LLC - 2345 Carton Dr. - Louisville - Kentucky - 40299

www.cvap.com 1-800-234-5286 502-495-5400 FAX 502-495-5458 www.winstonindustries.com

WYE Configuration

