

Parts List



File No.

Air Conditioner

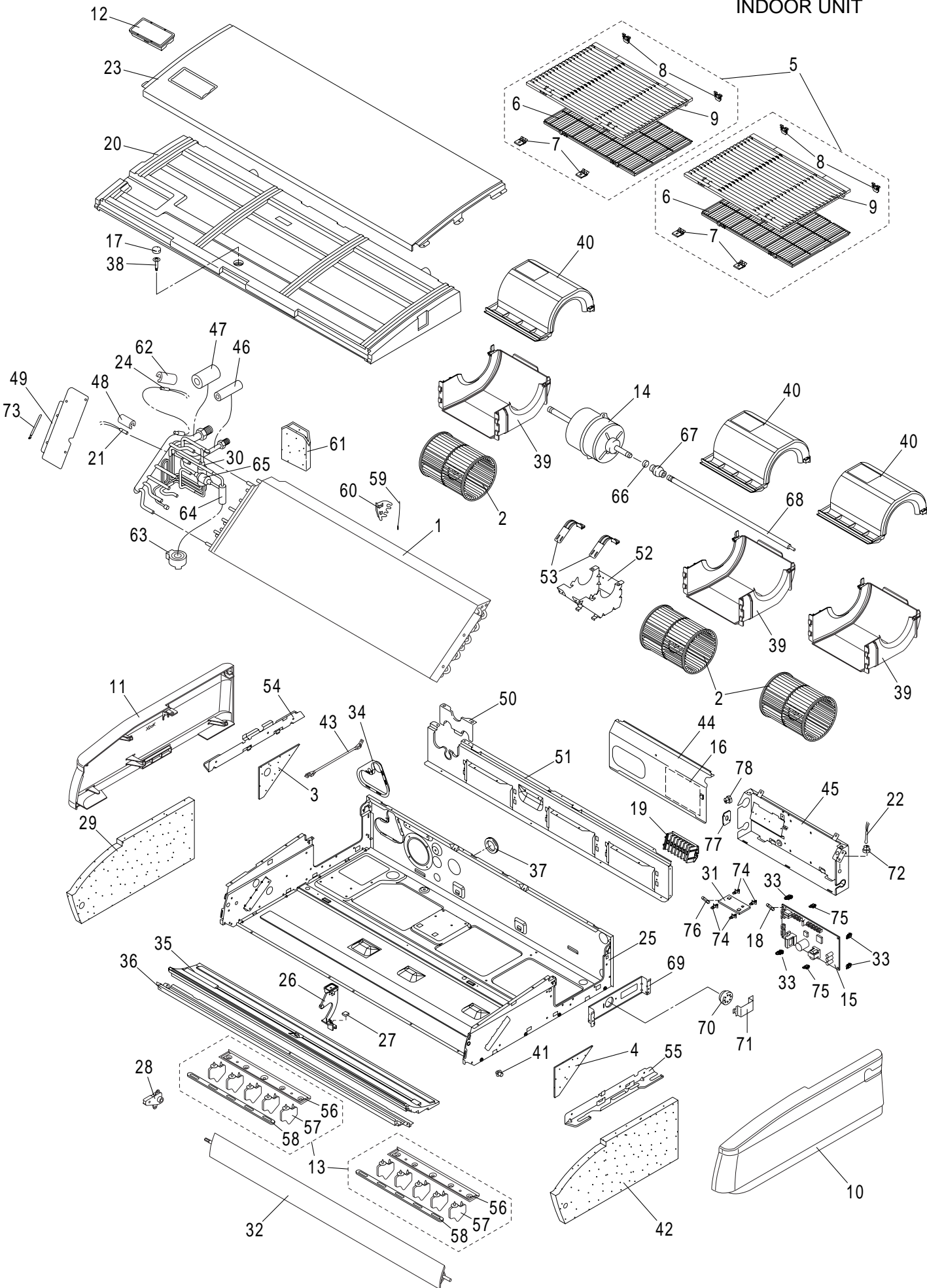
INDOOR UNIT
THX2452

Made in Japan

Model No.	Prod.Code	Volt-Phase-Hertz
THX2452	1 854 033 20	208-230-1-60

REFERENCE No.PL 833820

THX2452
INDOOR UNIT



ATTENTION !

To ensure correct parts supply, please let us know followings,
when you make service parts order:

1.Part No. 2.Description 3.Q'ty 4.Volts-Hz-Ph 5.Product Model No.

THX2452
INDOOR UNIT

Key No.	Part No.	Description	Q'ty	Reference No.
* 1	623 178 5655	Heat Exch Ass'y	1	854-0-4124-46000
* 2	623 201 1203	Fan Ass'y	3	854-0-2501-30410
3	623 201 1197	Insulation, Panel Side	1	854-2-1412-83310
4	623 201 1180	Insulation, Panel Side	1	854-2-1412-83010
5	623 201 1425	Suction Grille	2	854-2-1104-227H5
6	623 201 1418	Frame Filter Ass'y	2	854-0-1302-31110
7	623 201 1159	Hook Plate	4	854-2-1130-31410
8	623 201 1142	Hook Plate	4	854-2-1130-31510
9	623 201 1449	Suction Grille	2	854-2-1104-22710
10	623 201 1265	Side Panel	1	854-2-1102-95510
11	623 201 1258	Side Panel	1	854-2-1102-95610
12	623 201 1241	Ornamental Plate	1	854-2-1308-355H9
13	623 201 1234	Support Louver	2	854-2-1111-314H2
* 14	623 201 1432	Fan Motor DK8-63D280HB	1	1FA-4-M4A0-13300
* 15	623 188 6000	Circuit Board Ass'y CB-ADR74GXH56B	1	854-9-9536-05231
16	623 201 1210	Elec. Wiring Diagram	1	8FA-2-5250-06100
17	638 016 3786	Packing	1	854-2-2366-44210
* 18	623 179 0444	Fuse BET5A	1	1FJ-4-S3A0-00500
* 19	623 177 7124	Terminal Base HP-T3041-C3E4-S	1	1FA-4-J3A0-23900
* 20	623 201 1456	Drain Pan Ass'y	1	854-0-2301-611H2
* 21	623 171 4877	Thermistor Ass'y PBC-41E-AS4	1	854-0-5259-64600
* 22	623 171 4884	Thermistor Ass'y KTEC-35-S98	1	854-0-5259-64500
23	623 178 4184	Front Panel	1	854-2-1116-17901
* 24	623 178 5617	Thermistor PBC-41E-S49-1	1	1FA-4-V2E0-26400
25	623 178 4221	Cabinet Ass'y	1	854-0-1104-41200
26	623 178 3804	Support Louver	1	854-2-1111-313H1
27	623 201 1319	Insulation	1	854-2-1413-32010
* 28	623 178 3781	Step Motor Ass'y	1	8FA-0-5267-00100
29	623 201 1302	Insulation, Panel Side	1	854-2-1412-82310
30	623 178 4214	Strainer Ass'y	1	854-0-4522-30100
* 31	623 179 1502	P.C.B. Ass'y FIL-XDR94GXH56	1	8FA-0-5178-19400
32	623 201 1463	Air Guide Ass'y	1	854-0-1115-20210
33	623 192 9912	Spacer SPRH-10	4	854-2-2349-21600
34	623 178 3866	Cover Plate	1	854-2-2342-81501
35	623 201 1470	Insulation	1	854-2-1413-302H2
36	623 178 4238	Top Panel	1	854-2-1112-44801
37	623 093 5358	Eyelet	1	3-9041-02001
38	638 015 0953	Screw Special	1	854-2-1356-15401
39	623 201 1333	Blower Casing	3	854-2-2506-24810
40	623 201 1326	Blower Casing	3	854-2-2506-24910
41	623 178 3910	Collar	1	854-2-2535-19301
42	623 201 1371	Insulation, Panel Side	1	854-2-1412-82210
43	623 178 3897	Mounting Plate	1	854-2-1136-17301
44	623 178 3880	Cover,Elec.Component Box	1	854-0-5304-58401
45	623 201 1364	Elec Component Box Ass'y	1	854-0-5311-08001
46	623 192 0209	Insulation Special	1	854-2-2411-15010
47	623 192 0193	Insulation Special	1	854-2-2411-15210
48	623 054 6073	Insulation Tube	1	852-2-4514-28600
49	623 178 3996	Mounting Plate, Evaporator	1	854-2-2303-38011
50	623 178 3989	Cover, Evaporator	1	854-2-2325-37501

NOTE: Metal and plastic parts will be supplied basically with necessary heat insulation pads or packing. Each key number with an asterisk (*) means the recommended service parts.

ATTENTION !

To ensure correct parts supply, please let us know followings,
when you make service parts order:

1.Part No. 2.Description 3.Q'ty 4.Volts-Hz-Ph 5.Product Model No.

THX2452
INDOOR UNIT

Key No.	Part No.	Description	Q'ty	Reference No.
51	623 178 4269	Plate Partition Blower	1	854-2-2505-25601
52	623 178 3965	Support Fan Motor	1	854-2-2516-38301
53	623 178 3958	Support Fan Motor	2	854-2-2516-38401
54	623 178 3941	Hook Plate	1	854-2-1130-31201
55	623 178 3934	Hook Plate	1	854-2-1130-31301
56	623 201 1388	Support Louver	2	854-2-1111-31410
57	623 201 1401	Blade Louver	10	854-2-1110-28610
58	623 201 1395	Mounting Plate	2	854-2-1136-17410
* 59	623 178 5624	Thermistor KTEC-35-S103-2	1	1FA-4-V2E0-27000
60	638 012 1915	Mounting Thermistor	1	826-2-5303-11100
61	638 020 7220	Vibration insulation	1	854-2-2475-17200
62	623 081 5254	Insulation, Thermostat	1	854-2-4312-12000
* 63	623 175 2206	Magnetic Coil UKV-U030E	1	1FA-4-L8A0-30500
* 64	623 175 2336	Solenoid Control Valve UKV-25D32	1	854-2-4548-20300
65	623 175 2213	Strainer Ass'y	1	854-0-4522-29100
66	623 178 4283	Cushion Rubber	1	854-2-2534-23400
67	623 178 4252	Boss Ass'y	1	854-0-2513-17000
68	623 178 4276	Shaft Ass'y	1	854-0-2518-16100
69	623 178 4290	Mounting Plate	1	854-2-1136-16901
* 70	623 094 4466	Bearing Housing Ass'y	1	852-0-2510-12800
71	638 015 1097	Mounting Plate	1	854-2-2361-36901
72	623 027 4990	Bushing	1	800-2-5337-17900
73	628 012 9219	Fixture Cord	1	731-2-5323-12000
74	623 097 1677	Spacer SPLSN-6	4	851-2-5366-03800
75	623 192 9929	Spacer SPRF-10	2	854-2-2349-21700
* 76	638 010 7827	Fuse BET6.3A	1	1FJ-4-S3A0-00600
77	623 201 6284	Mounting Plate	1	854-2-2362-11101
78	623 038 3425	Bushing OCB-875	1	851-2-5370-00900
	623 201 1050	Operation Manual	1	854-6-4189-83700

NOTE: Metal and plastic parts will be supplied basically
with necessary heat insulation pads or packing.
Each key number with an asterisk (*) means the
recommended service parts.

For Parts or Service Contact
SANYO HVAC SERVICE CENTER
SANYO Fisher Service Company
1165 Allgood Road, Suite 22, Marietta, GA 30062 U.S.A.
300 Applewood Crescent, Concord, Ontario, L4K 5C7, CANADA
11/06 Printed in Japan