

Service Manual

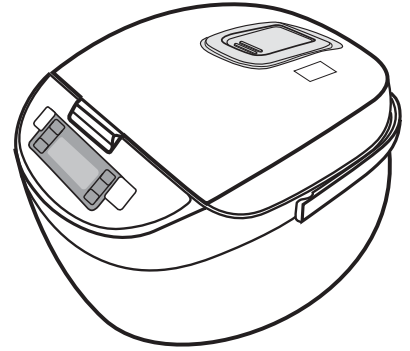
Electronic Warm Jar



SR-DE102 / SR-DE182



SR-DG102 / SR-DG182



SR-MS102 / SR-MS182

Product Colour

White (W)

Destination

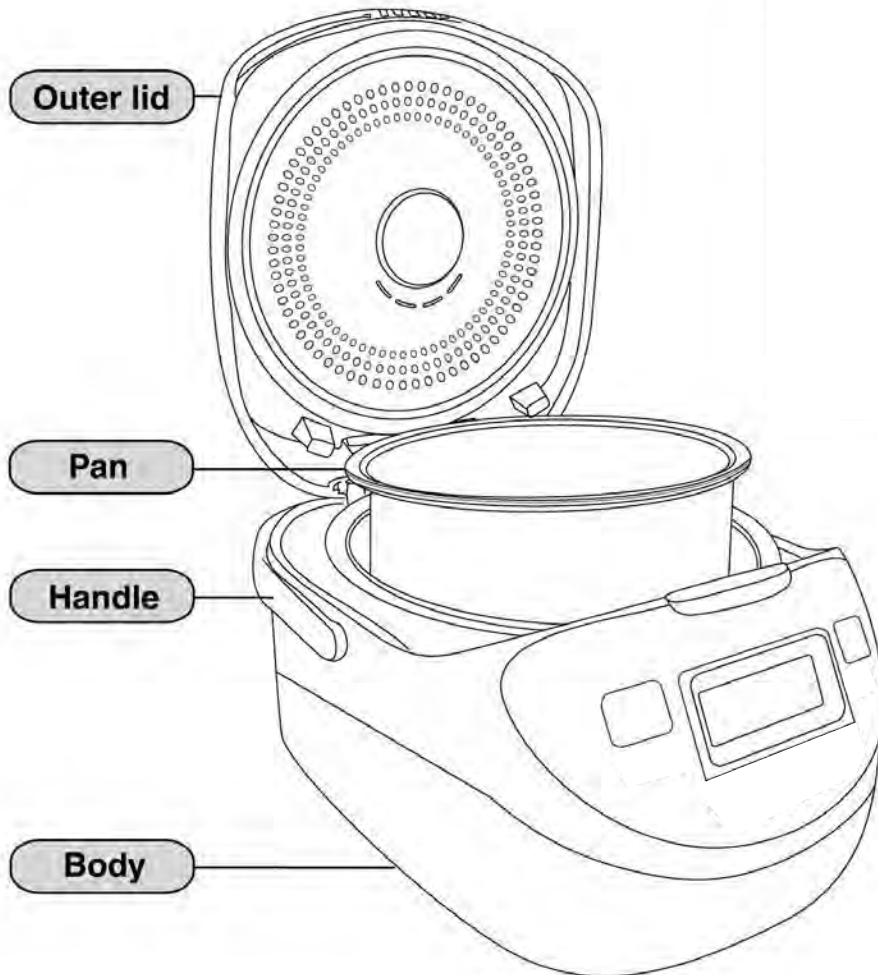
Thailand, Hong Kong, Malaysia,
Indonesia, Singapore-DBD/RBD,
Taiwan, USA, PANAMA

Specifications

Model		SR-DE102	SR-DE182	SR-DG102	SR-DG182	SR-MS102	SR-MS182
Power Supply	110V/60Hz	Taiwan	Taiwan	-	-	Taiwan	Taiwan
	120V/60Hz	USA, PANAMA	-	USA, PANAMA	USA	USA	USA
	220V/50Hz	Thailand, Hong Kong	Thailand, Hong Kong, Sin-RBD Indonesia	Thailand	Thailand	Thailand, Hong Kong	Thailand, Hong Kong Sin-RBD
	230V/50Hz	Sin-DBD	Sin-DBD	Sin-DBD	Sin-DBD	Sin-DBD	Sin-DBD
	240V/50Hz	-	-	Malaysia	Malaysia	-	-
Power Consumption	Cooking	600W	800W	600W	800W	600W	800W
	Cake Baking	620W	835W	620W	835W	620W	835W
	Keeping Warm	600/20W	800/35W	600/20W	800/35W	600/20W	800/35W
Keep Warm Temperature	Thailand,Taiwan	75 ± 4°C					
	Indonesia	77 ± 4°C					
	Others	73 ± 4°C					
Cooking Capacity	White Rice	1~5 cups	2~10 cups	1~5 cups	2~10 cups	1~5 cups	2~10 cups
Power Cord	Kind	C-3,S-3,A-3,A-2P,SH-3		C-3,S-3,A-2P		C-3,S-3,SH-3,A-2P,A3	
	Length	1 m		1 m		1 m	
Product Dimension	Width	251 mm	279 mm	251 mm	279 mm	251 mm	279 mm
	Depth	332 mm	357 mm	332 mm	357 mm	332 mm	357 mm
	Height	210 mm	243 mm	210 mm	243 mm	210 mm	243 mm
Center Thermostat Working Temperature		127°C ± 6°C					
Thermal Fuse Specification		172°C					
Weight (Approx.)		2.8 kg	3.4 kg	2.7 kg	3.4 kg	2.9 kg	3.6 kg
Accessories		Steaming basket, Scoop, Measuring cup, Power cord					
*If any change occurred to the appearance, wiring or other parts of the warm jar due to property improvement or other reasons, there will be additional notice.							

⚠ WARNING

This service information is designed for experienced repair technicians only and is not designed for use by the general public. It does not contain warnings or cautions to advise non-technical individuals of potential dangers in attempting to service a product. Products powered by electricity should be serviced or repaired only by experienced professional technicians. Any attempt to service or repair the product or products dealt with in this service information by anyone else could result in serious injury or death.



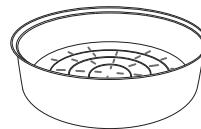
Accessory



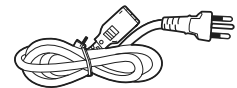
Scoop



Measuring cup



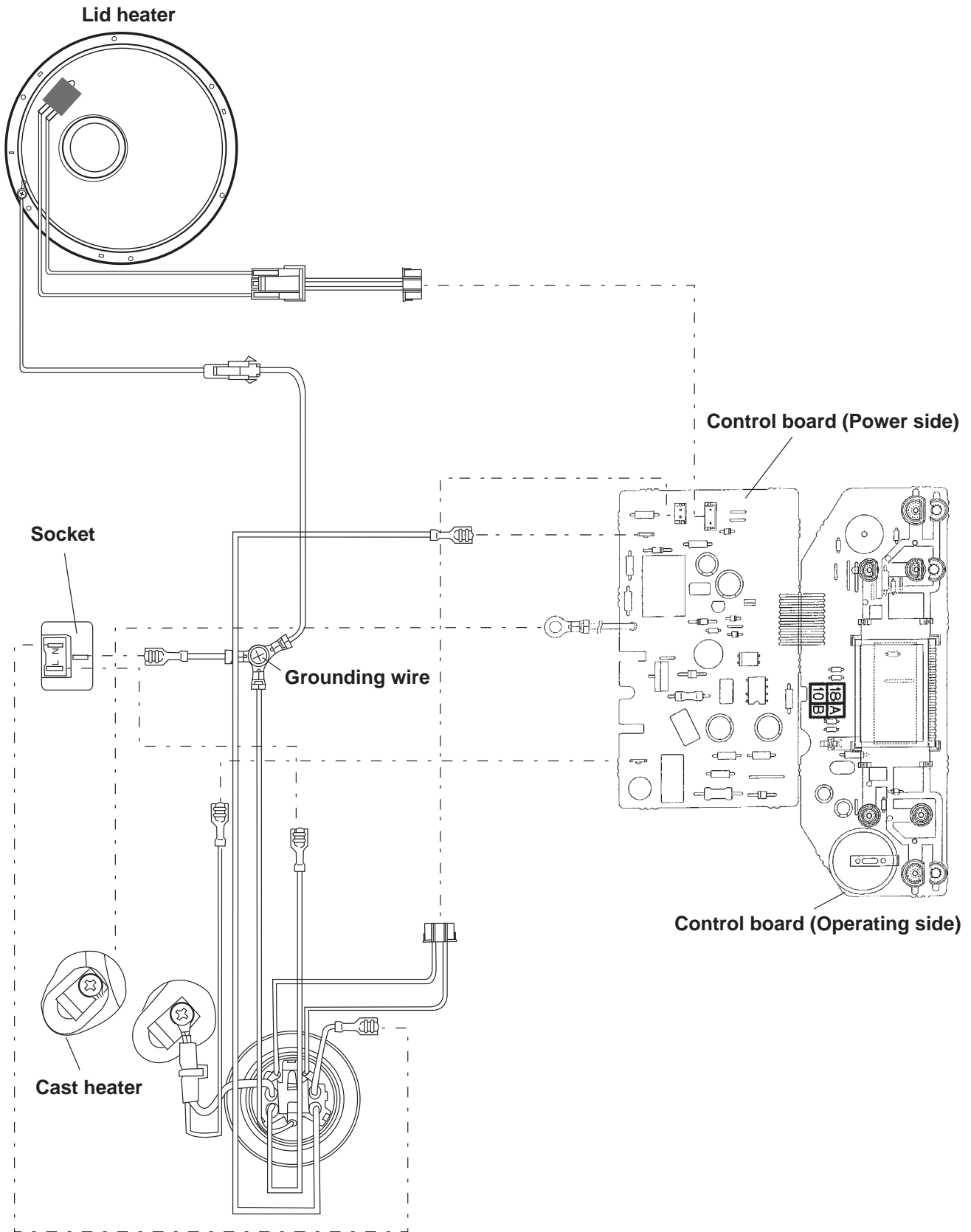
Steaming basket



Power cord

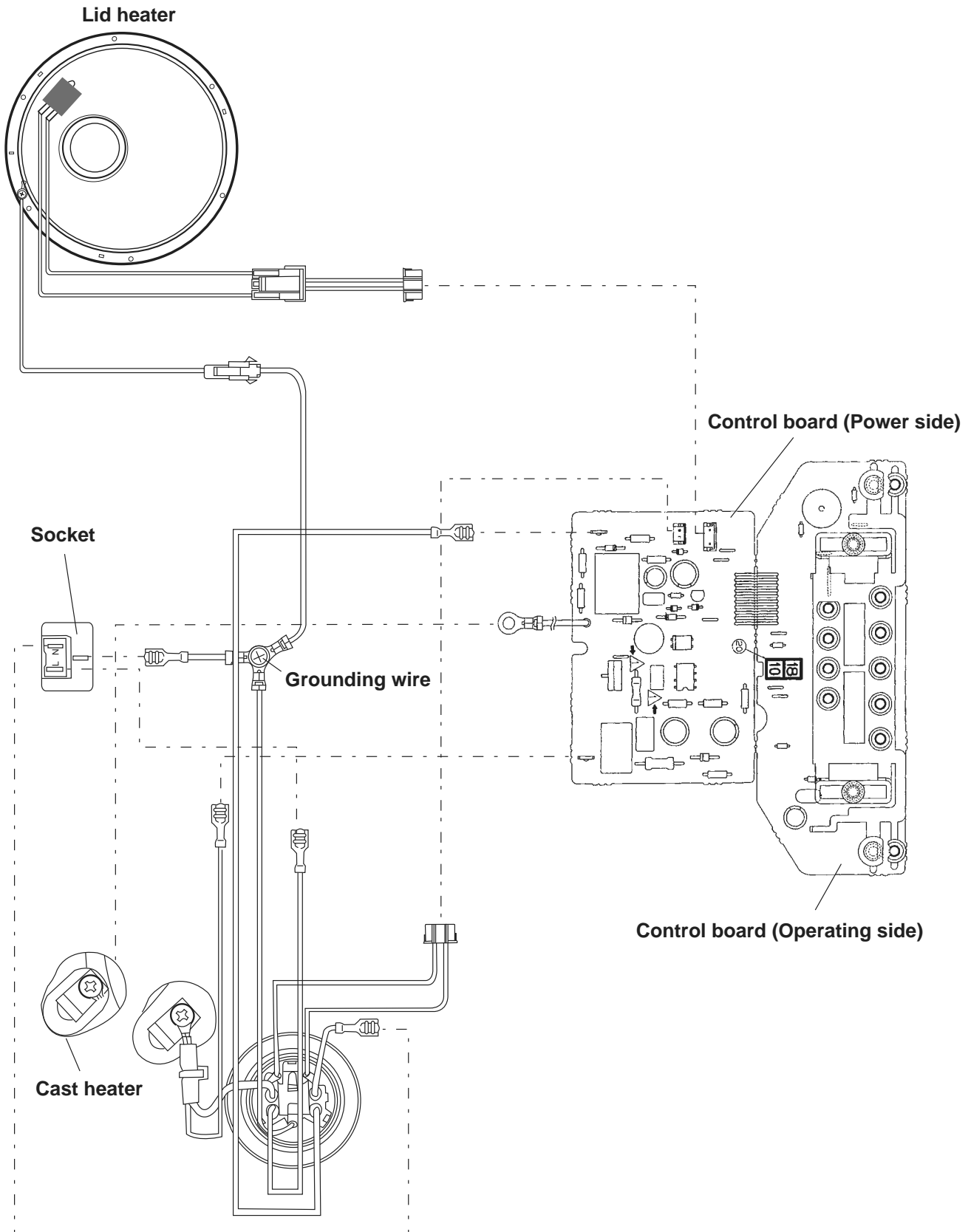
2. Block Diagram

2.1 SR-DE102/182



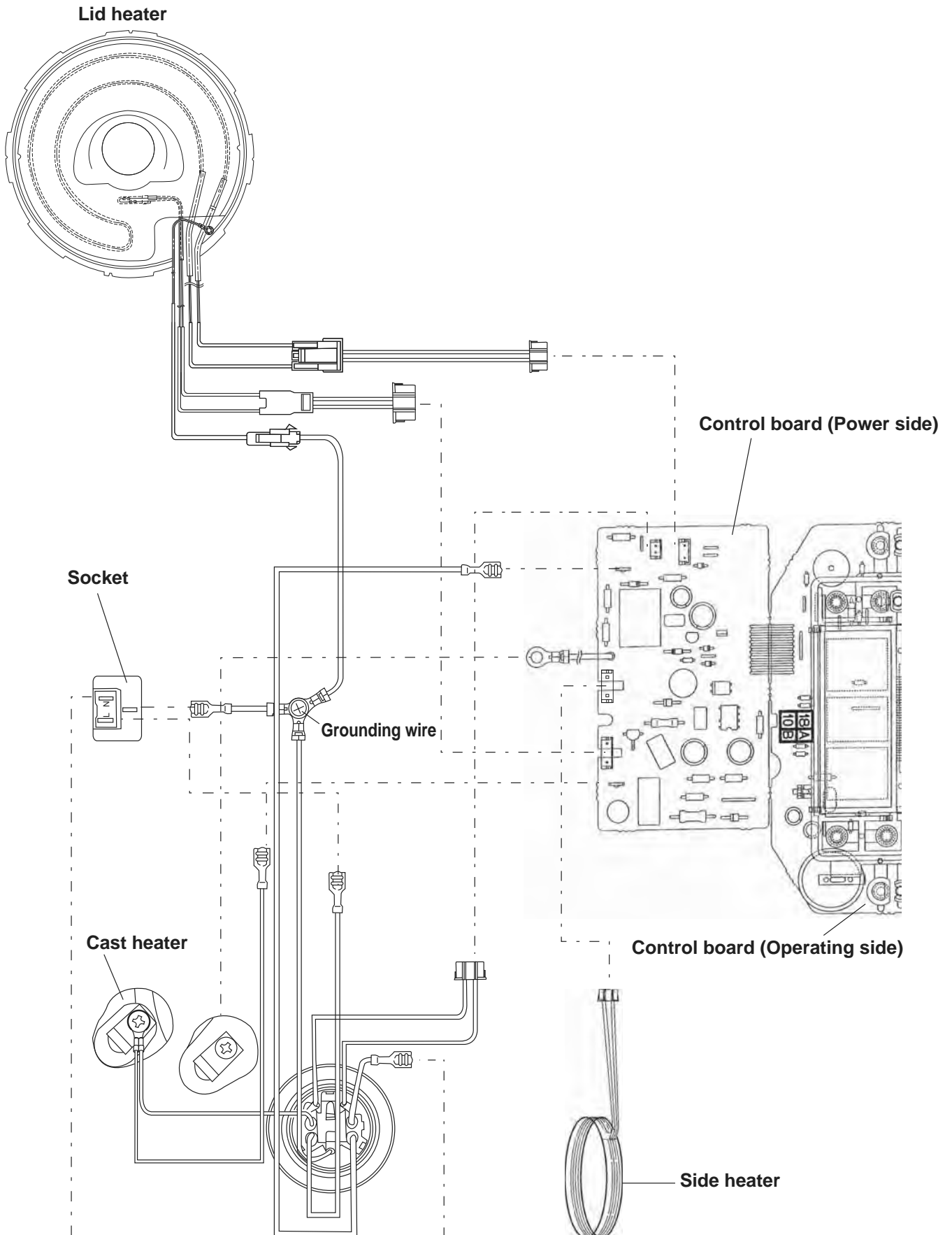
2. Block Diagram

2.2 SR-DG102/182



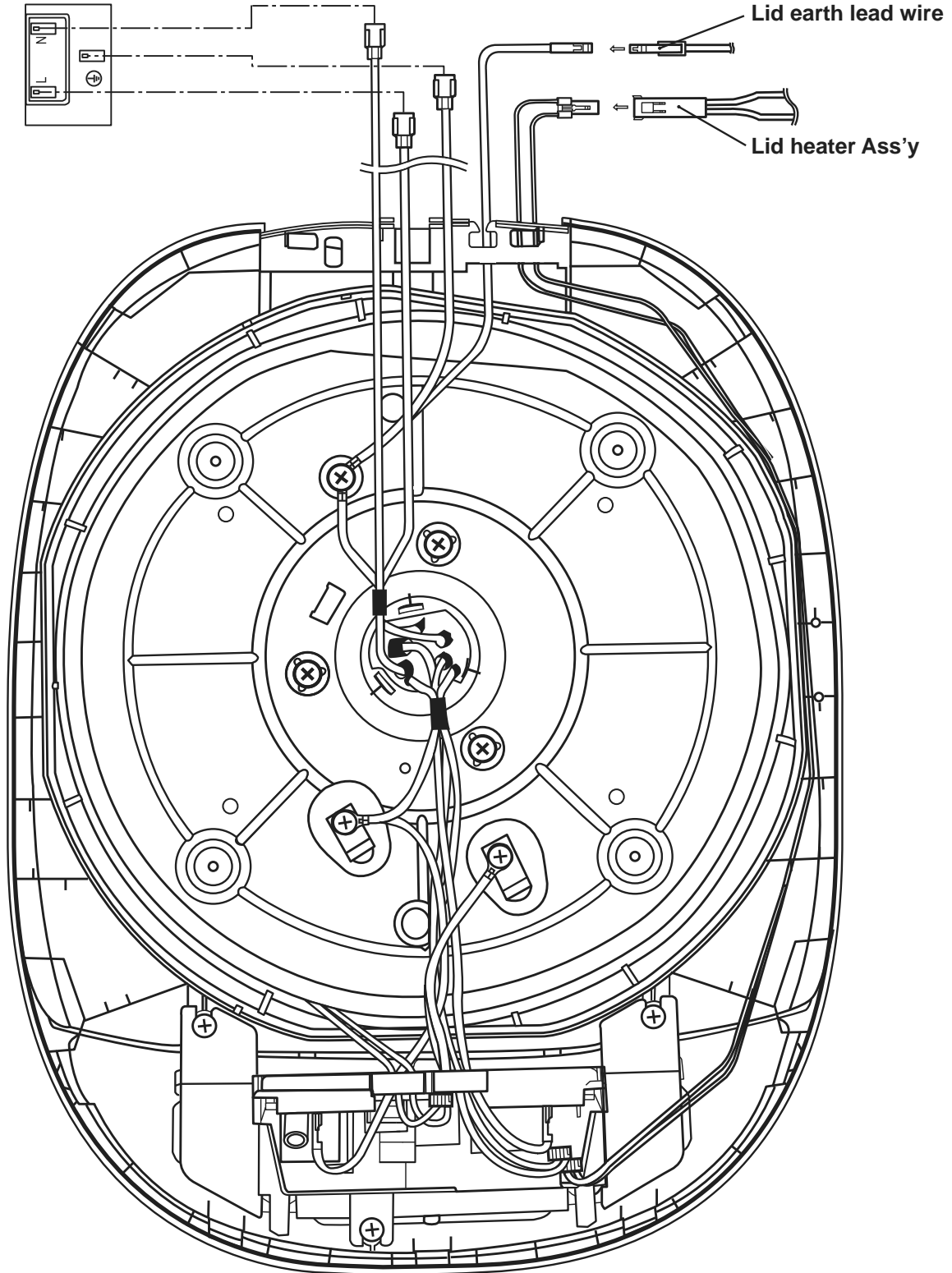
2. Block Diagram

2.3 SR-MS102/182



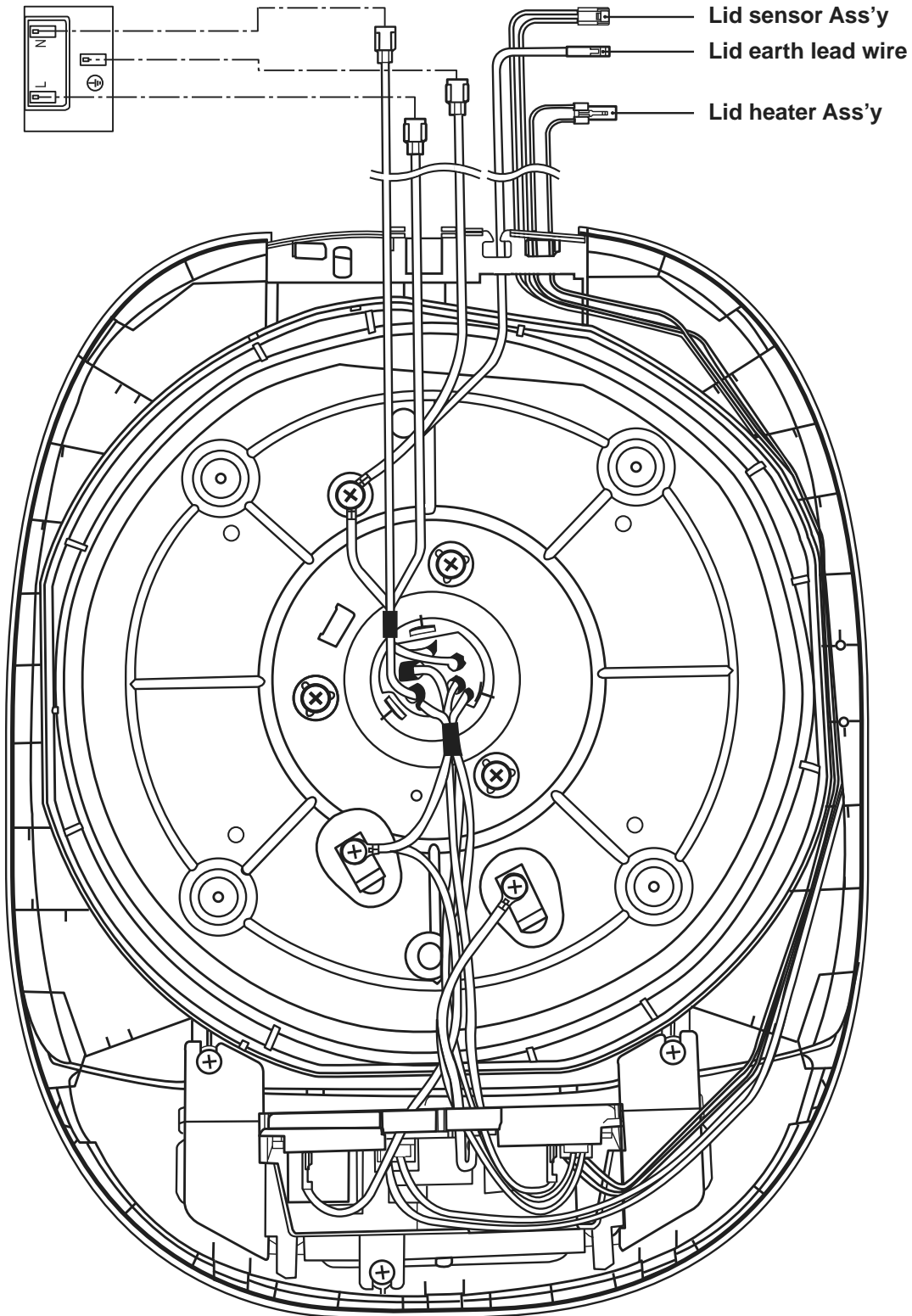
3. Wiring Diagram

3.1 SR-DE102,182 / SR-DG102/182



3. Wiring Diagram

3.2 SR-MS102/182



4. Troubleshooting

Before repairing the warm jar from users, please confirm whether it is complete (pan, lid, Keep Warm pin etc.) and inquiry the user for specific malfunctions. Please turn off the power before checking the circuit or component.

4.1. Before troubleshooting

Troubleshooting will be proceeded in two steps, one for the main unit and the other for control circuit board.

Please refer to part I before any checking.

If the malfunctioned item is unavailable in the troubleshooting table, please proceed the basic test to check the control circuit board (refer to page 9). Then decide proper measures according to the troubleshooting description in part II.

The malfunctioned component and its location are indicated in the right side of trouble symptom.

Each component is designated with a number of checking sequence, please refer to it.

Please refer to page 10 for information of diagnosing the malfunctioned parts on panel (for reference only).

Precautions for operating microprocessor or control circuit

The microcomputer is composed of CMOS digital IC and MOS FET, so it is quite sensitive to electrostatic, such as electrostatic from body, clothes, iron, etc. Please handle it carefully as per following instructions:

- The handling personnel should be well grounded.
- The iron should be grounded. Do not use the iron with poor insulation. The iron with microcomputer control is suggested.
- Do not touch the IC pin or other components before grounded. Do not put the circuit board on conductive surface that may be charged.
- Do not insert the components from reverse side of the circuit board.
- Do not apply high resistance ($\times 10k$) when proceeding continuous measurement with multi-meter, otherwise, the IC and other components on the circuit board may be damaged due to the high voltage.
- Try to shorten the welding time (within several seconds).
- Please turn off the power before replacing any component.
- The transformer for control panel has a voltage of AC 110V, 120V, 220V, 230V, 240V so please take care when handling the electric control board to avoid electric shock or hurt.

4.2. Self-diagnosing

The following symbols will appear on LCD automatically when it is abnormal.

Display

Symbol	Symptom	Remedy
U14	The "Keep Warm" function is cut off automatically when the operation exceeds 96 hours.	Press [Keep Warm/Off] button to resume keeping warm (Do not set keeping warm for more than 12 hours).
H01	All the buttons are inoperative.	Replace the pan sensor (pan sensor is broken off), or check the branch component of pan sensor on the computer panel.
H02	All the buttons are inoperative.	Replace the pan sensor (lid sensor is broken off), or check the branch component of lid sensor on the computer panel.
H06	All the buttons are inoperative.	Replace P.C.B.
H05	All the buttons are inoperative.	Replace relay or P.C.B. (Cause: The relay is in fault)

5. Troubleshooting-part I (for the main unit)

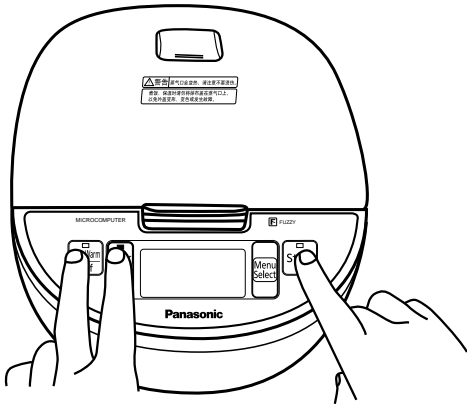
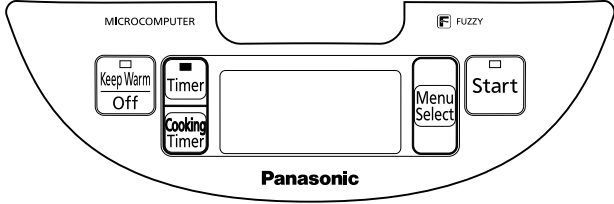
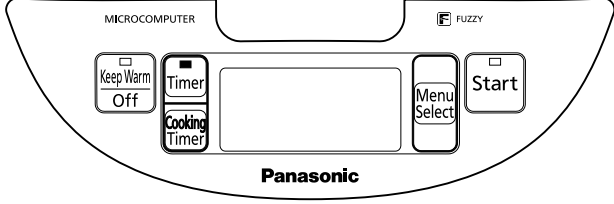
Note:

Mark ○ means the components that may malfunction.

Drawing No.		15	23	44	48	48	54	61	6	22														
Symptom	Malfunctioned component	Lid heater	Cast heater	Warning heater	Pan sensor	Thermal fuse	Terminal	AC cord	Outer lid comp.	Pan														
	Unit description																							
Does not cook	Cooking LED lights up		○																	○				
	Cooking LED does not light up				○	○	○	○													○	※ Refer to page 9,10 when the malfunctioned parts are supposed to be on the P.C.B.. If the fuse melts, check and remove the cause firstly, then replace the malfunctioned part.		
	LED does not operate at all																				○			
	Indicates "H01" on LCD.				○																	○		
	Indicates "H02" on LCD.									○													○	
	Indicates "H06" on LCD.																						○	
	Indicates "H05" on LCD.																						○	
Cannot cook rice correctly (stops early or cooking is uneven, etc.)			○		○																	○	This may occur due to user's improper measurement or insufficient loosening of rice.	
Rice on bottom of the inner pan is scorched			○		○																		○	Check that there is on dirt or foreign substances stuck to the surface of the pan sensor.
Keep Warm temperature is high (over 78°C)					○																		○	
Keep Warm temperature is low (below 68°C)		○	○	○	○				○														○	
Does not keep warm	Keep Warm LED lights up	○		○																			○	
Droplets fall onto the surface of rice		○							○														○	This may occur by unplugging or insufficient loosening of rice.
The surface of rice dries up				○																			○	This may occur when the lid is kept open for a long time, insufficient loosening of rice or falling of Keep Warm pin.
The bottom of warm jar melts and fires					○																		○	

6. Quick check test of the control board

Check performance of the P.C.B. in the following procedure. If any failure detected, repeat the performance again. (Refer to Page 11). If still abnormal, replace spare parts on the control panel or the whole control board (comp.) according to Troubleshooting-part II on page 9 and Problem diagnosing table (page 10).

<p>1</p> <p>Connect the unit to a power source by inserting the plug into an outlet. In the stand-by mode, press the [Start/Reheat], [Menu Select] and [Keep Warm/Off] button simultaneously with fingers.</p>	 <p>[Fig.A]</p>
<p>2</p> <p>With the keys pressed, if all areas on the LCD panel light up, as shown at right in Fig. B, the control board can be judged to be normal. (Releasing any or all of the three keys will cancel the test condition)</p>	 <p>[Fig.B]</p>
<p>3</p> <p>When releasing the three keys, the [Hour] lights up as shown in right Fig.C and the buzzer sounds. Then cooking starts. When the pan sensor temperature reaches the cooking end level, the heating operation switches to the warming mode.</p>	 <p>[Fig.C]</p>
<p>4</p> <p>Press the [Keep Warm/Off] button. Operate and check whether other function buttons are normal.</p>	<p>If the above 1 to 4 operation proves to be normal, the P.C.B. comp. can be judged as OK.</p>

7. Troubleshooting-part II (for the P.C.B.)

Note:

Mark ○ means the components that may malfunction.

		38	SW	LCD	X1	BZ	T	RL	TR1	BAT					Remark
Symptom	Unit description	P.C.B. (comp)	Parts on the control panel												
			Tact switch	LCD	Ceramic resonator	Buzzer	Transformer	Relay	Triac	Flat cable	Li battery				
Does not cook	Cooking LED lights up	○						○		○					
	Cooking LED does not light up	○	○		○		○			○					
	LED does not operate at all	○	○		○		○			○					
Cannot cook rice correctly (stops early or cooking is uneven, etc.)		○						○							
Rice on bottom of the inner pan is scorched		○						○							
Keep Warm temperature is high (over 78°C)		○							○						
Keep Warm temperature is low (below 68°C)		○							○	○					
Does not keep warm	Keep Warm LED lights up	○							○	○					
Does not Keep Warm continuously		○							○						
Droplets fall onto the surface of the rice		○							○	○					
Buzzer does not sound	Other operations are normal	○				○									
Part of the LCD is blank		○		○											
The Clock display disappears after unplugging										○					

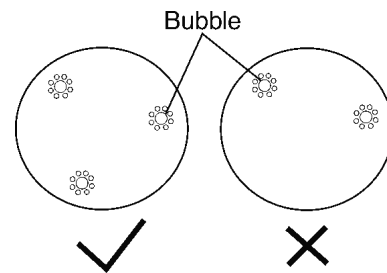
8. Test Method

8.1. Bubble test

1. Insert the pan into the cooker main body and turn it slightly clockwise and anti-clockwise to place the pan properly on top of the cast heater.
2. Pour small quantity of water into the pan so that the bottom of the pan is immersed with water. Close the lid completely.
3. After connecting to power, select [Quick] from [Menu Select] and then press [Start] button.
4. When the water boils, the cooker will blow off steam. When you see the steam, open the lid, and then press the brim of the pan to completely touch it to the cast heater. Then check the water bubbling condition.

See the right figures:

- Water bubbles appear at three areas and are distributed evenly around the circle..... Acceptable
- Water bubbles are distributed unevenly and not around the circle.....Unacceptable
- The unacceptable result is possibly due to incomplete contact of bottom of pan and the cast heater. So please check the heater surface for foreign material, and remove them or replace the defective part (pan or cast heater).

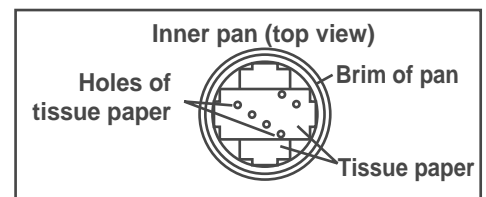


8.2. Steaming test

1. After confirming the bubble test is acceptable, spread two or three sheets of tissue paper (or gauze) over bottom of the pan to leave the cooker on without closing the lid.

Note:

- Be sure to fully open the lid to protect the plastic parts from thermal distortion caused by steam.
- Make holes in the tissue paper (or gauze), as shown, so that it will not float up during steaming.



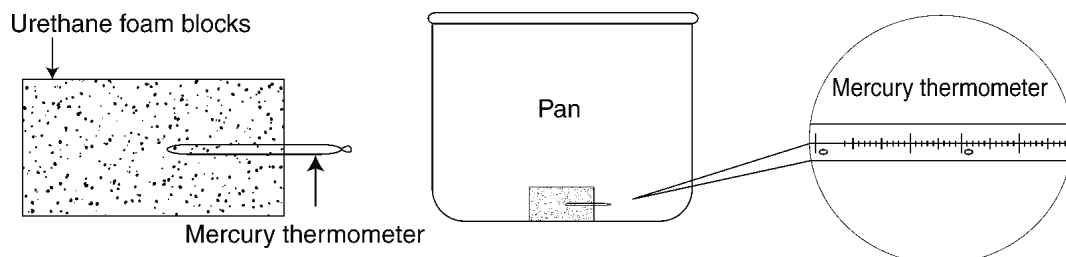
8.3. Keep Warm test

1. Place a mercury thermometer between urethane foam blocks as shown below. Urethane foam blocks (ASN-300) and the thermometer (ASN-150H) are supplied as spare parts.
2. Place the urethane foam blocks holding the thermometer into central bottom of the pan, and allow the cooker to run in the Keep Warm condition for more than 1 hour.
3. More than one hour later, open the lid and read the temperature within 10 seconds.

If it is within 69°C - 77°C, then considered as normal.

If the warming temperature is out of this range, check whether there is any dirt or foreign material stuck on the pan sensor or bottom of the pan, if so, please remove them.

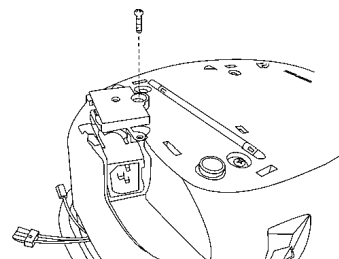
If nothing is found, adjust the warming temperature and replace the control circuit board(comp.)



9. Replacing of P.C.B. (Comp.)

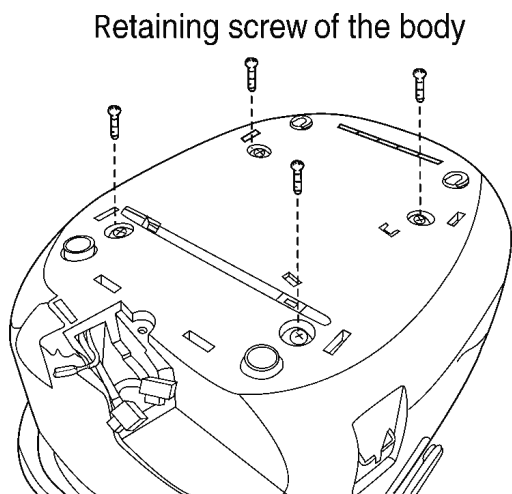
1 Remove the power socket (comp.)

- Open the lid and place the cooker upside down on a rubber sheet to protect it, as shown in the right figure.
- Unplug the power cord.
- Remove the screw (1) on power socket cover, and take out the power socket and its cover (comp.).
- Remove the wiring of power socket (3 places).



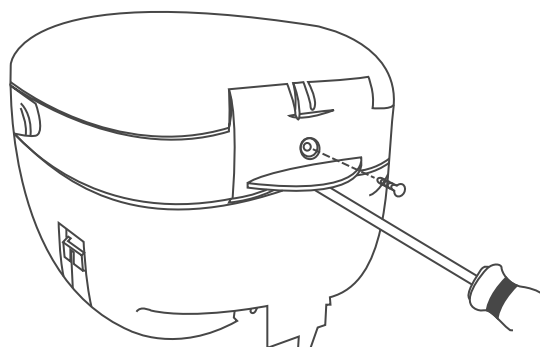
2 Remove the retaining screw of the body

- Remove the 4 retaining screws of the body.



3 Remove the hinge cover

- Remove the retaining screw first and then insert the screwdriver between hinge cover and body, as shown in the right figure.
- Pry the screwdriver outward like a lever to disconnect the hinge cover.

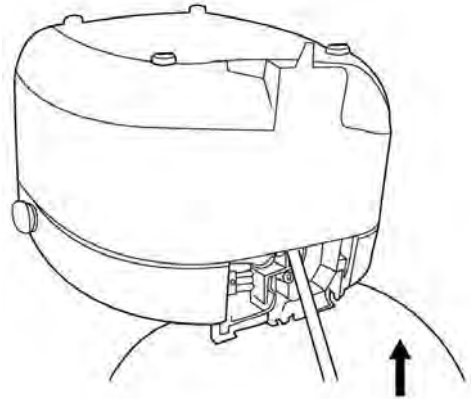


4 Remove the body of cooker

- Place the cooker upside down on a rubber sheet, then insert the screwdriver upright for about 30-40mm, as shown in the right figure.
- Turn the screwdriver in arrow direction to remove the body, as shown in the right figure.

Note:

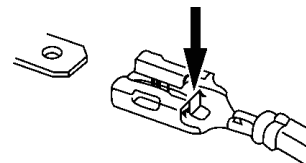
- Do not knock at the screwdriver, otherwise the parts contacted with screwdriver will be damaged. Please follow the above procedures to remove.

**5 Remove the wiring of P.C.B. component**

- Pull out each connector with a pincers.
- Pull out the fastening terminals (3 places) with a pincers.

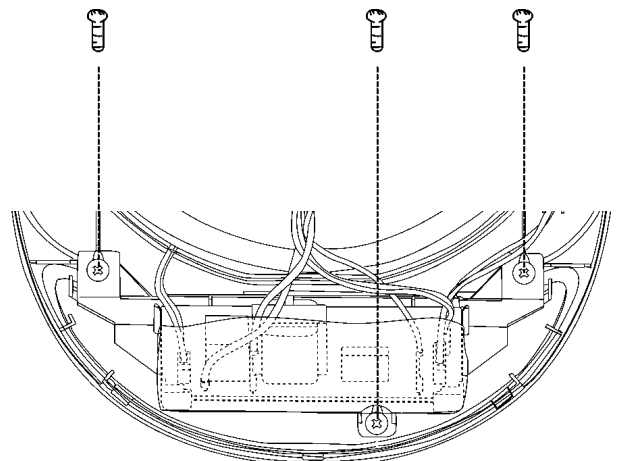
Note:

- For connectors or thing like this, please pull outward directly. If pulled out in different directions, the coil may be damaged or P.C.B. cracks due to the pressure applied on it.
- When pulling out the fastening terminal, please press the pin down in arrow direction while pulling. Otherwise, the terminal can not be pulled out.

**6 Remove the P.C.B. base (comp.)**

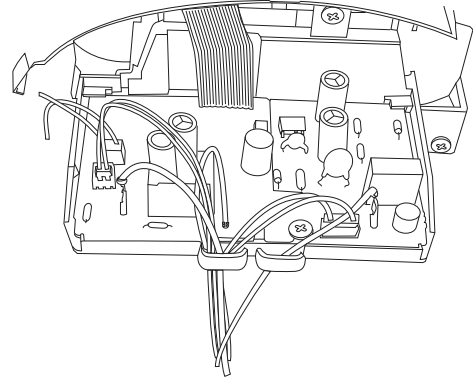
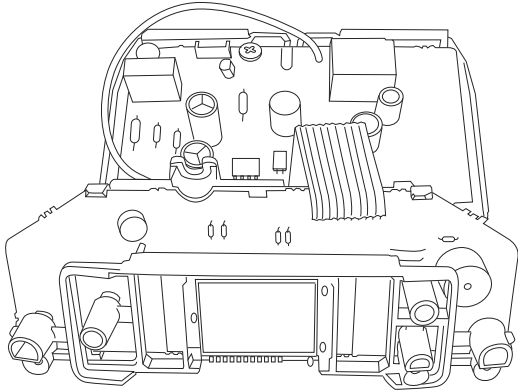
- Remove the fire-retardant tape attached on the P.C.B..
- Unplug the wiring connected to P.C.B..
- Remove the retaining screw on P.C.B. base (3 places).
- Take out the P.C.B. base directly with hand.
- Remove another fire-retardant tape attached on the P.C.B..

⊗ Please wear an anti-static wring strap or take relative measures to prevent electric shock.



7 Take out the P.C.B. component

- Remove the tabs at (a) gently, then take out the P.C.B. (operating side) while lifting.
- Remove another fire-retardant tape attached on the bottom of the P.C.B..
- Remove the retaining screws gently. Then take out the P.C.B. (power side) while lifting.

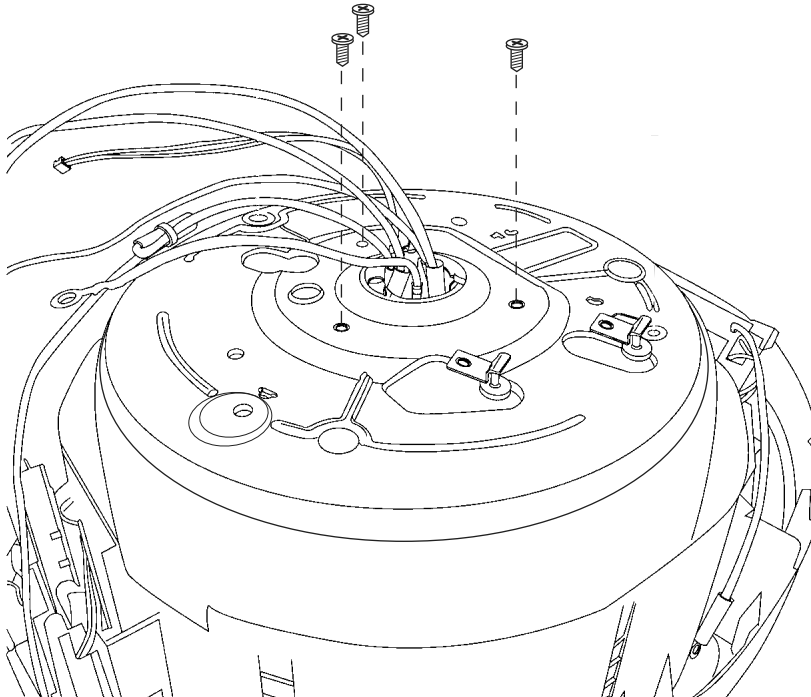
**8 Assembly of P.C.B. base (comp.)**

- When assembling the P.C.B. base (comp.), please proceed in reverse to disassembly.

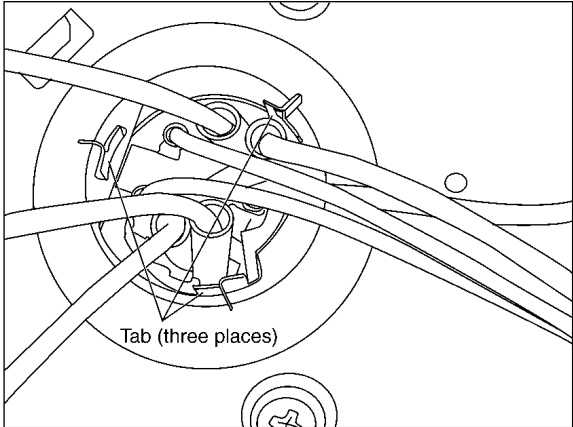
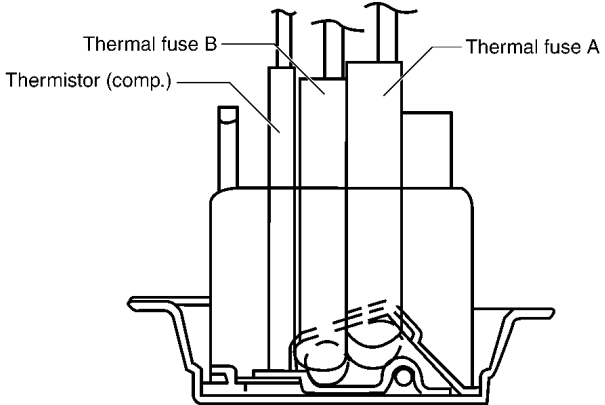
Note:

- When reassembling, make sure to attach the fire-retardant tapes as what they are before removing.

10. Replacing of Cast Heater

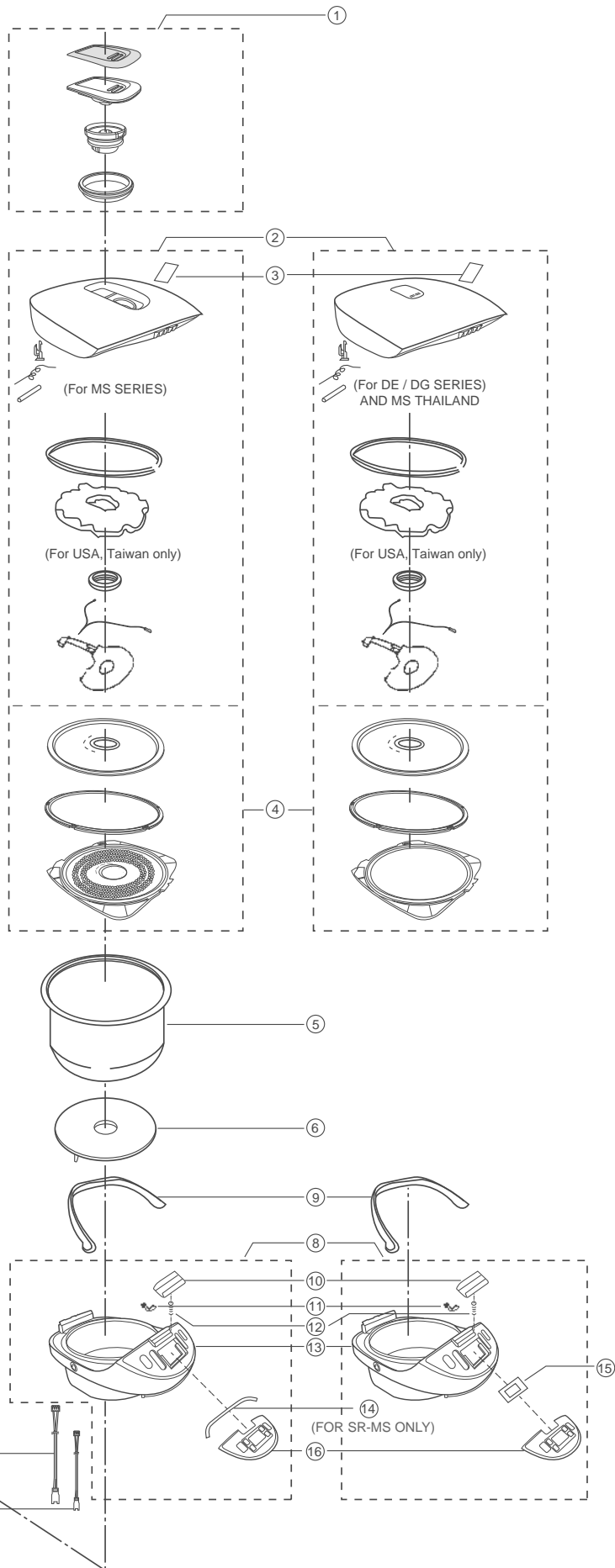
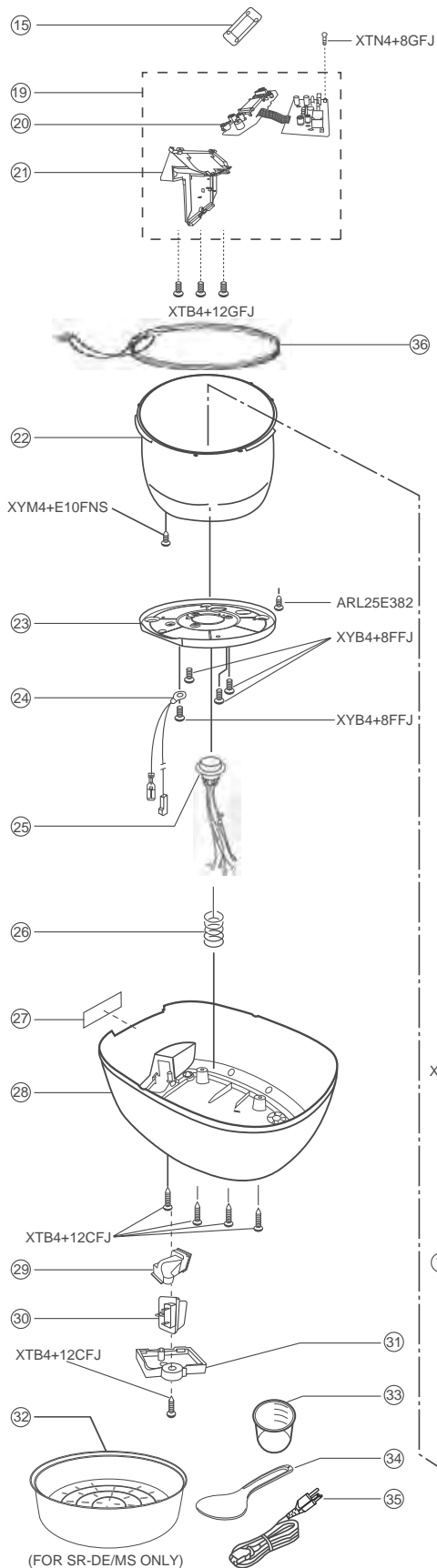
1	Remove the power socket (comp.) and body <ul style="list-style-type: none"> Remove the power socket and body in referring to replacing of P.C.B. base (comp.)
2	Remove the base of sensor <ul style="list-style-type: none"> Tear off the retaining tapes (2 places) on the wiring of the pan sensor. Remove the connections (2 places) between pan sensor and P.C.B.. Remove the wiring (1 place) connected between pan sensor and cast heater. Remove the connection (1 place) between cast heater and P.C.B.. Remove the grounding wire. Remove the connections (3 places) on base of sensor. Take out the base of sensor.
3	Remove the cast heater <ul style="list-style-type: none"> Remove the retaining screw of cast heater (3 pieces). Take out the cast heater from protection frame. 
4	Reassembly <ul style="list-style-type: none"> Please reassemble the cast heater in reverse to disassembly. <p>Note:</p> <ul style="list-style-type: none"> When reassembling, make sure to attach the fire-retardant tapes as what they are before removing.

11. Replacing of Pan Sensor and Thermal Fuse

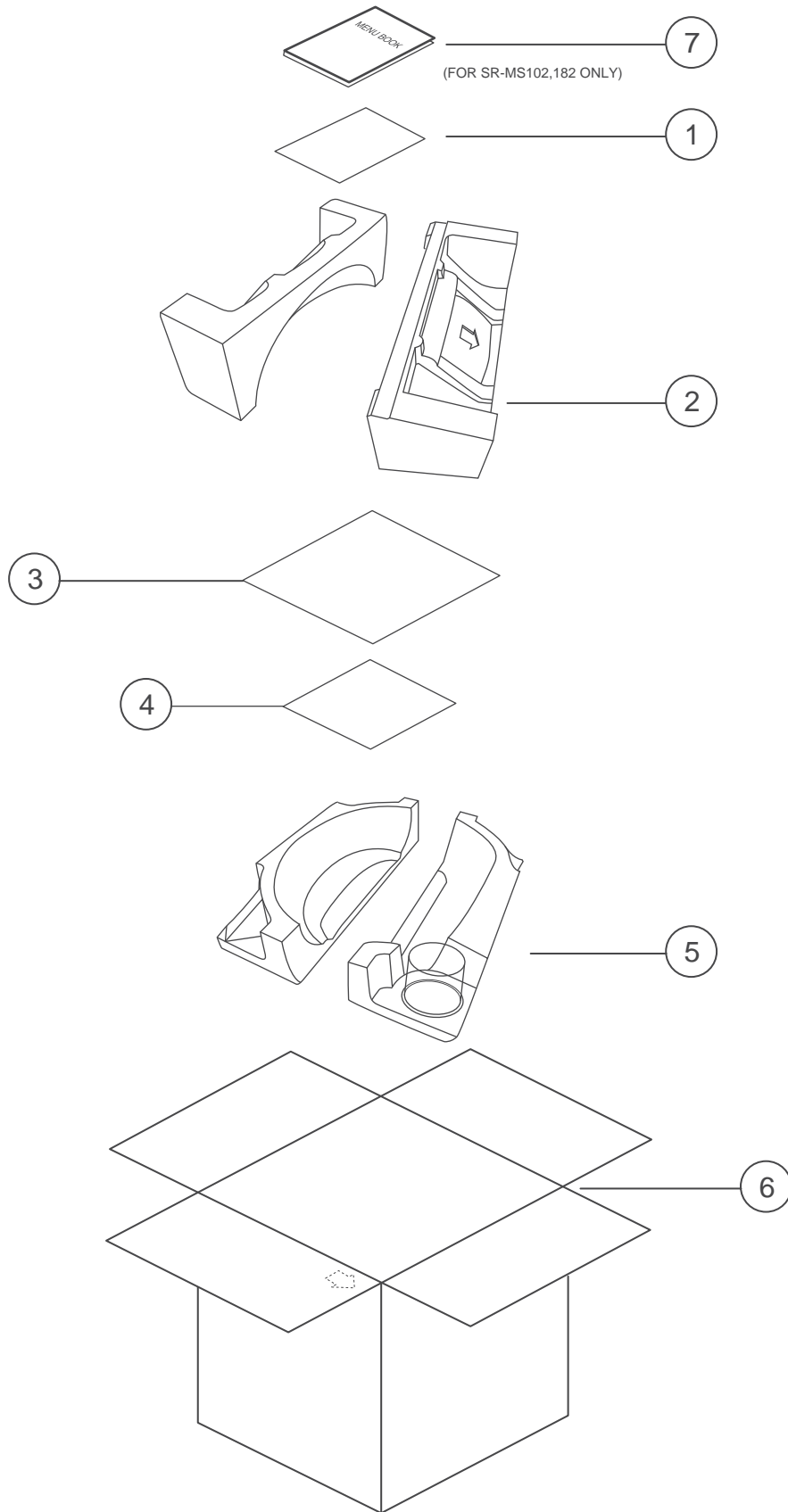
1	<p>Remove the cast heater</p> <ul style="list-style-type: none"> Remove the cast heater in referring to replacing of cast heater.
2	<p>Remove the pan sensor</p> <ul style="list-style-type: none"> Upright the tabs (3 places) as shown in the right figure, then take out the pan sensor. <p>Note:</p> <ul style="list-style-type: none"> Do not deform the spring when removing. 
3	<p>Replacing of thermal fuse</p> <ul style="list-style-type: none"> The procedure of replacing of pan sensor is actually a procedure of replacing of thermal fuse A/B, for they both fixed inside of pan sensor. 
4	<p>Reassembly</p> <ul style="list-style-type: none"> Please reassemble the pan sensor in reverse to disassembly. <p>Note:</p> <ul style="list-style-type: none"> Do not deform the spring when assembling. Do not slant the spring when assembling. Check the direction of pan sensor.

12. Exploded View

SR-DE, DG, MS 102/182



13. Packing View



REPLACEMENT PARTS LIST

Important safety notice :

Components identified by mark have special characteristics important for safety.
When replacing any of these components, use only manufacturer's specified parts.

Parts List Of SR-DE102/SR-DE182

Ref.No.	Safety	Part name	Part No.	MODEL		COUNTRIES / Q'TY								Remark		
				DE102	DE182	THAI	HK	RBD	INDO	DBD	TAI	USA	PAN			
1		STEAM VENT ASSY	ARC00EB08-W9													
2		OUTER LID ASSY	ARB01T961W9U		●	1										
			ARB01H963W9U		●		1	1	1	1						
			ARB01U963W9U		●							1				
			ARB01T962W9U	●		1										
			ARB01H964W9U	●			1				1					
			ARB01U964W9U	●								1				
			ARB01A964W9U	●									1			
3	⚠	CAUTION LABEL	ARB32T961	●	●	1										
			ARB32H961	●	●		1	1		1						
			ARB32U961	●	●							1				
			ARB32L961		●				1							
			ARB32A961	●									1			
			ARB32B964	●											1	
4		INNER LID ASSY	ARC80T961-0U		●	1	1	1	1	1	1					
			ARC80T962-0U	●		1	1				1	1				
			ARC80A964-0U	●									1	1		
5		PAN	ARE50T9341		●	1	1	1	1	1	1					
			ARE50T9351	●		1	1				1	1	1	1		
6	⚠	CAST HEATER ASSY	ARL20T961-0U		●	1	1	1	1							
			ARL20S961-0U		●						1					
			ARL20U961-0U		●								1			
			ARL20T962-0U	●		1	1									
			ARL20S962-0U	●								1				
			ARL20U962-0U	●									1			
7		HINGE COVER	ARE40T961-W9	●	●	1	1	1	1	1	1	1	1	1		
			ARE40A964-W9	●												
8		UPPER FRAME ASSY	ARE00T963W9U		●	1										
			ARE00H963W9U		●		1	1	1	1	1					
			ARE00T964W9U	●		1										
			ARE00H964W9U	●			1				1	1				
			ARE00A964W9U	●									1	1		
9		HANDLE	ARB10T961-W9		●	1	1	1	1	1	1					
			ARB10T962-W9	●		1	1				1	1	1	1		
10		HOOK BUTTON	ARE05EB13-WQ	●	●	1										
			ARE05EB10-SJ	●	●		1	1	1	1	1	1	1			
11		HOOK BUTTON SHAFT	ARE07EA241TW	●	●	1	1	1	1	1	1	1	1			
12		HOOK SPRING	ARE06EA29	●	●	1	1	1	1	1	1	1	1			
13		UPPER FRAME	ARE00T963-W9		●	1	1	1	1	1	1					
			ARE00T964-W9	●		1	1				1	1				
			ARE00A9641W9	●									1	1		
14		ESCUTCHEON SEAL	ARN34T961													
			ARN34T962													
15		DECORATIVE PANEL B	ARN24T963-NK	●	●	1										
			ARN24H963-NK	●	●		1	1	1	1						
			ARN24U963-NK	●	●							1				
			ARN24A964-NK	●									1	1		
16		DECORATIVE PANEL A	ARN21T963-NK		●	1										
			ARN21H963-NK		●		1	1	1	1						
			ARN21U963-NK		●							1				
			ARN21T964-NK	●		1										
			ARN21H964-NK	●			1				1		1	1		
ARN21U964-NK	●								1							
17		LEAD WIRE A ASSY	ARN97T961-0U		●	1	1	1	1	1	1					
			ARN97T962-0U	●		1	1				1	1	1	1		
18		LEAD WIRE B ASSY	ARN98T961-0U		●	1	1	1	1	1	1					
			ARN98T962-0U	●		1	1				1	1	1	1		

Parts List

Ref.No.	Safety	Part name	Part No.	MODEL		COUNTRIES / Q'TY								Remark
				DE102	DE182	THAI	HK	RBD	INDO	DBD	TAI	USA	PAN	
19	⚠	CONTROL UNIT COMPLETE	ARH01T963-0U	●		1	1	1		1				
			ARH01L963-0U		●				1					
			ARH01U963-0U		●						1			
			ARH01T964-0U	●		1	1			1				
			ARH01A96420U	●							1	1	1	
20	⚠	CONTROL UNIT	ARR30T963		●	1	1	1		1				
			ARR30L963		●				1					
			ARR30U963		●						1			
			ARR30T964	●		1	1			1				
			ARR30U964	●							1			
			ARR30A9642	●								1	1	
21		PCB BASE	ARH01T961	●	●	1	1	1	1	1	1	1	1	
22		PROTECTING FRAME	ARE20T9201		●	1	1	1	1	1	1			
			ARE20T9211	●		1	1			1	1	1	1	
23		HEAT PROTECTING FRAME	ARE31T961		●	1	1	1	1	1	1			
			ARE31T962	●		1	1			1	1	1	1	
24		HINGE EARTH LEAD WIRE	ARE46T955		●	1								
			ARE46S955		●		1	1	1	1	1			
			ARE46T962	●		1								
			ARE46H962	●			1			1	1			
25	⚠	THERMOSTAT ASSY	ARS10T961-0U		●	1								
			ARS10H961-0U		●		1	1	1	1	1			
			ARS10T962-0U	●		1								
			ARS10H962-0U	●			1			1	1			
			ARS10A962-0U	●								1	1	
26		OUTER SPRING	AQS61T2701	●	●	1	1	1	1	1	1	1	1	
27	⚠	NAME PLATE	ARY00T963		●	1								
			ARY00H963-W9		●		1							
			ARY00V963-W9		●			1						
			ARY00L963-W9		●				1					
			ARY00S963-W9		●					1				
			ARY00U963-W9		●						1			
			ARY00T964	●		1								
			ARY30H964-W9	●			1							
			ARY30S964-W9	●						1				
			ARY30U964-W9	●							1			
			ARY30A964-W9	●								1		
			ARY30B964-W9	●									1	
28		BODY	ARE10T961-W9		●	1	1	1	1	1	1			
			ARE10T962-W9	●		1	1			1	1	1	1	
29		INLET COVER	ARF26T961	●	●	1	1	1	1	1	1	1	1	
30		INLET	ARG10T920-0U	●	●	1	1	1	1	1	1			
			ARF19T934-0U	●								1	1	
31		INLET PLATE	ARF27T961-W9	●	●	1	1	1	1	1	1	1	1	
32		STEAMING BASKET	ARK53H616-W9		●	1	1	1	1	1	1			
			ARK53H617-W9	●		1	1			1	1	1	1	
33		MEASURING CUP	ASR792-454BK	●	●	1	1	1	1	1	1	1	1	
34		SCOOP	ASR79WT281AK	●	●	1	1	1	1	1	1	1	1	
35	⚠	POWER CORD ASSY (C-3)	ARQ00T959-0U	●	●	1								
		POWER CORD ASSY (S-3)	ARQ00M961-0U	●	●		1			1				
		POWER CORD ASSY (SH-3)	ARQ00T920-0U		●			1	1					
		POWER CORD ASSY (A-3)	ARQ00T68310U	●	●						1			
		POWER CORD ASSY (A-2P)	ARQ00A96110U	●								1		
		POWER CORD ASSY (A-2P)	ARQ00A961-0U	●									1	
36	⚠	SIDE HEATER ASSY	ARL10H961-0U		●	1	1	1	1	1				
			ARL10U961-0U		●						1			
			ARL10H962-0U	●		1	1			1				
			ARL10A96210U	●							1	1	1	

Screws

Ref.No.	Safety	Part name	Part No.	MODEL		COUNTRIES / Q'TY								Remark
				DE102	DE182	THAI	HK	RBD	INDO	DBD	TAI	USA	PAN	
		SCREW	XTB4+12GFJ	●	●	3	3	3	3	3	3	3	3	FOR CONTROL UNIT
		SCREW	XTB4+14CFJ	●	●	4	4	4	4	4	4	4	4	FOR BODY
		SCREW	XTT4+8FFJ	●	●	3	3	3	3	3	3	3	3	FOR HEAT PROTECTING FRAME
		SCREW	XTN4+16AVW	●	●	1	1	1	1	1	1	1	1	FOR HINGE COVER
		SCREW	XYN4+C10FNS	●	●	1	1	1	1	1	1	1	1	FOR CAST HEATER ASSY
		SCREW	XYN4+C7FNS	●	●	2	2	2	2	2	2	2	2	FOR INTERNAL WIRING
		SCREW	ASR270-977AZ	●	●	1	1	1	1	1	1	1	1	FOR PCB BASE

Packing

Ref.No.	Safety	Part name	Part No.	MODEL		COUNTRIES / Q'TY								Remark
				DE102	DE182	THAI	HK	RBD	INDO	DBD	TAI	USA	PAN	
1	⚠	OPERATION INSTRUCTION	ARZ19T963	●	●	1								
			ARZ19H9632	●	●		1							
			ARZ19S9632	●	●					1				
			ARZ19V963		●			1						
			ARZ19L963		●				1					
			ARZ19U9633	●	●							1		
		OPERATION INSTRUCTION A	ARZ19A9642	●								1	1	LANGUAGE : ENGLISH, CHINESE, FRENCH
OPERATION INSTRUCTION B	ARZ19A964-B	●									1	LANGUAGE : KOREAN, SPANISH		
2		UPPER PAD ASSY	ARZ04T96100U		●	1	1	1	1	1	1			
			ARZ04T96200U	●		1	1			1	1	1	1	
3		POLYETHYLENE SHEET	ASR762T929-K	●	●	1	1	1	1	1	1	1	1	
4		RUST PROOF PAPER	ASR758T344B	●	●	1	1	1	1	1	1	1	1	
5		LOW PAD ASSY	ARZ11T961-0U		●	1	1	1	1	1	1			
			ARZ11T96200U	●		1	1			1	1	1	1	
6	⚠	INNER PACKING CASE	ARZ01T963-W9		●	1								
			ARZ01H963-W9		●		1							
			ARZ01V963-W9		●			1						
			ARZ01L963-W9		●				1					
			ARZ01S963-W9		●					1				
			ARZ01U963-W9		●						1			
			ARZ01T964-W9	●		1								
			ARZ01H964-W9	●			1							
			ARZ01S964-W9	●						1				
			ARZ01U964-W9	●							1			
			ARZ01A9642W9	●								1		
			ARZ01B964-W9	●									1	

REPLACEMENT PARTS LIST

Important safety notice :

Components identified by mark have special characteristics important for safety.
When replacing any of these components, use only manufacturer's specified parts.

Parts List Of SR-DG102 / SR-DG182

Ref.No.	Safety	Part name	Part No.	MODEL		COUNTRIES / Q'TY					Remark	
				DG102	DG182	THAI	DBD	MAL	USA	PAN		
1		STEAM VENT ASSY	ARC00EB08-W9									
2		OUTER LID ASSY	ARB01T961W9U		●	1						
			ARB01H963W9U		●		1	1				
			ARB01A963W9U		●					1		
			ARB01T962W9U	●		1						
			ARB01H964W9U	●			1	1				
			ARB01A964W9U	●						1		
			ARB01B964W9U	●								1
3	⚠	CAUTION LABEL	ARB32T961	●	●	1						
			ARB32H961	●	●		1	1				
			ARB32A961	●	●					1		
			ARB32B964	●								1
4		INNER LID ASSY	ARC80T961-0U		●	1	1	1				
			ARC80A965-0U		●					1		
			ARC80T962-0U	●		1	1	1				
			ARC80A964-0U	●						1	1	
5		PAN	ARE50T920		●	1	1	1	1			
			ARE50T921	●		1	1	1	1	1	1	
6	⚠	CAST HEATER ASSY	ARL20T961-0U		●	1						
			ARL20S961-0U		●		1					
			ARL20M965-0U		●				1			
			ARL20A961-0U		●					1		
			ARL20T962-0U	●		1						
			ARL20S962-0U	●			1					
			ARL20M966-0U	●					1			
			ARL20A962-0U	●						1	1	
7		HINGE COVER	ARE40T961-W9	●	●	1	1	1	1	1		
8		UPPER FRAME ASSY	ARE00T963W9U		●	1	1	1	1			
			ARE00T964W9U	●		1	1	1				
			ARE00A966W9U	●					1	1		
9		HANDLE	ARB10T961-W9		●	1	1	1	1			
			ARB10T962-W9	●		1	1	1	1	1		
10		HOOK BUTTON	ARE05EB10-WQ	●	●	1	1	1	1	1		
11		HOOK BUTTON SHAFT	ARE07EA241TW	●	●	1	1	1	1	1		
12		HOOK SPRING	ARE06EA29	●	●	1	1	1	1	1		
13		UPPER FRAME	ARE00T963-W9		●	1	1	1				
			ARE00A965-W9		●				1			
			ARE00T964-W9	●		1	1	1				
			ARE00A9641W9	●					1	1		
14		ESCUTCHEON SEAL	ARN34T961									
			ARN34T962									
15		DECORATIVE PANEL B	ARN24T965-NK	●	●	1						
			ARN24S965-NK	●	●		1	1				
			ARN24A965-NK	●	●				1	1		
16		DECORATIVE PANEL A	ARN21T965-NK		●	1						
			ARN21S965-NK		●		1	1	1			
			ARN21T966-NK	●		1						
			ARN21S966-NK	●			1	1	1	1		
17		LEAD WIRE A ASSY	ARN97T961-0U		●	1	1	1	1			
			ARN97T962-0U	●		1	1	1	1	1		
18		LEAD WIRE B ASSY	ARN98T961-0U		●	1	1	1	1			
			ARN98T962-0U	●		1	1	1	1	1		
19	⚠	CONTROL UNIT COMPLETE	ARH01T965-0U		●	1	1	1				
			ARH01A965-0U		●				1			
			ARH01T966-0U	●		1	1	1				
			ARH01A96620U	●					1	1		

Parts List

Ref.No.	Safety	Part name	Part No.	MODEL		COUNTRIES / Q'TY					Remark	
				DG102	DG182	THAI	DBD	MAL	USA	PAN		
20	△	CONTROL UNIT	ARR30T965		●	1	1	1				
			ARR30A965		●				1			
			ARR30T966	●		1	1	1				
			ARR30A9662	●					1	1		
21		PCB BASE	ARH01T961	●	●	1	1	1	1	1		
22		PROTECTING FRAME	ARE20T9201		●	1	1	1				
		PROTECTING FRAME ASSY	ARE20A965-0U		●				1			
		PROTECTING FRAME	ARE20T9211	●		1	1	1				
		PROTECTING FRAME ASSY	ARE20A96410U	●					1	1		
23		HEAT PROTECTING FRAME	ARE31T961		●	1	1	1	1			
			ARE31T962	●		1	1	1	1	1		
24		HINGE EARTH LEAD WIRE	ARE46T955		●	1						
			ARE46S955		●		1	1				
			ARE46T962	●		1						
			ARE46H962	●			1	1				
25	△	THERMOSTAT ASSY	ARS10T961-0U		●	1						
			ARS10H961-0U		●		1	1				
			ARS10A961-0U		●				1			
			ARS10T962-0U	●		1						
			ARS10H962-0U	●			1	1				
			ARS10A962-0U	●					1	1		
26		OUTER SPRING	AQS61T2701	●	●	1	1	1	1	1		
27	△	NAME PLATE	ARY00T965		●	1						
			ARY00S965-W9		●		1					
			ARY00M965-W9		●				1			
			ARY00A965-W9		●					1		
			ARY00T966	●		1						
			ARY30S966-W9	●			1					
			ARY30M966-W9	●					1			
			ARY30A9661W9	●						1		
			ARY30B966-W9	●							1	
28		BODY	ARE10T961-W9		●	1	1	1	1			
			ARE10T962-W9	●		1	1	1	1	1		
29		INLET COVER	ARF26T961	●		1	1	1	1	1		
30		INLET	ARG10T920-0U	●	●	1	1	1				
			ARF19T934-0U	●	●				1	1		
31		INLET PLATE	ARF27T961-W9	●	●	1	1	1	1	1		
32		STEAMING BASKET	ARK53H616-W9									
			ARK53H617-W9									
33		MEASURING CUP	ASR792-454BK	●	●	1	1	1	1	1		
34		SCOOP	ASR79WT281AK	●	●	1	1	1	1	1		
35	△	POWER CORD ASSY (C-3)	ARQ00T959-0U	●	●	1						
		POWER CORD ASSY (S-3)	ARQ00M961-0U	●	●		1	1				
		POWER CORD ASSY (A-2P)	ARQ00A961-0U	●	●				1	1		
36	△	SIDE HEATER ASSY	ARL10H961-0U		●	1	1	1				
			ARL10A96110U		●				1			
			ARL10H962-0U	●		1	1	1				
			ARL10A96210U	●					1	1		

Screws

Ref.No.	Safety	Part name	Part No.	MODEL		COUNTRIES / Q'TY					Remark
				DG102	DG182	THAI	DBD	MAL	USA	PAN	
		SCREW	XTB4+12GFJ	●	●	3	3	3	3	3	FOR CONTROL UNIT
		SCREW	XTB4+14CFJ	●	●	4	4	4	4	4	FOR BODY
		SCREW	XTT4+8FFJ	●	●	3	3	3	3	3	FOR HEAT PROTECTING FRAME
		SCREW	XTN4+16AVW	●	●	1	1	1	1	1	FOR HINGE COVER
		SCREW	XYN4+C10FNS	●	●	1	1	1	1	1	FOR CAST HEATER ASSY
		SCREW	XYN4+C7FNS	●	●	2	2	2	2	2	FOR INTERNAL WIRING
		SCREW	ASR270-977AZ	●	●	1	1	1	1	1	FOR PCB BASE

Packing

Ref.No.	Safety	Part name	Part No.	MODEL		COUNTRIES / Q'TY					Remark	
				DG102	DG182	THAI	DBD	MAL	USA	PAN		
1	⚠	OPERATION INSTRUCTION	ARZ19T965	●	●	1						
			ARZ19S9651	●	●		1					
			ARZ19M9651	●	●			1				
			ARZ19A9653	●	●					1	1	LANGUAGE : ENGLISH, CHINESE, FRENCH
			ARZ19A965-B	●							1	LANGUAGE : KOREAN, SPANISH
2		UPPER PAD ASSY	ARZ04T96100U		●	1	1	1	1			
			ARZ04T96200U	●		1	1	1	1	1		
3		POLYETHYLENE SHEET	ASR762T929-K	●	●	1	1	1	1	1		
4		RUST PROOF PAPER	ASR758T344B	●	●	1	1	1	1	1		
5		LOW PAD ASSY	ARZ11T961-0U		●	1	1	1	1			
			ARZ11T96200U	●		1	1	1	1	1		
6	⚠	INNER PACKING CASE	ARZ01T965-W9		●	1						
			ARZ01S965-W9		●		1					
			ARZ01M965-W9		●			1				
			ARZ01A965-W9		●				1			
			ARZ01T966-W9	●		1						
			ARZ01S966-W9	●			1					
			ARZ01M966-W9	●				1				
			ARZ01A9661W9	●					1			
ARZ01B966-W9	●							1				

REPLACEMENT PARTS LIST

Important safety notice :

Components identified by mark have special characteristics important for safety.
When replacing any of these components, use only manufacturer's specified parts.

Parts List Of SR-MS102/SR-MS182

Ref.No.	Safety	Part name	Part No.	MODEL		COUNTRIES / Q' TY						Remark
				MS102	MS182	THAI	HK	RBD	DBD	TAI	USA	
1		STEAM VENT ASSY	ARC00EB08-W9	●	●		1	1	1	1	1	
2		OUTER LID ASSY	ARB01T961W9U		●	1						
			ARB01H961W9U		●		1	1	1			
			ARB01U961W9U		●						1	
			ARB01A961W9U		●							1
			ARB01T962W9U	●		1						
			ARB01H962W9U	●			1		1			
			ARB01U962W9U	●							1	
			ARB01A962W9U	●								1
3	⚠	CAUTION LABEL	ARB32T961	●	●	1						
			ARB32H961	●	●		1	1	1			
			ARB32U961	●	●						1	
			ARB32A961	●	●							1
4		INNER LID ASSY	ARC80T961-0U		●	1						
			ARC80H961-0U		●		1	1	1	1		
			ARC80A961-0U		●							1
			ARC80T962-0U	●		1						
			ARC80H962-0U	●			1		1	1		
			ARC80A962-0U	●								1
5		PAN	ARE50T961		●	1						
			ARE50H961		●		1	1	1	1	1	
			ARE50T962	●		1						
			ARE50H962	●			1		1	1	1	
6	⚠	CAST HEATER ASSY	ARL20T961-0U		●	1	1	1				
			ARL20S961-0U		●					1		
			ARL20U961-0U		●							1
			ARL20A961-0U		●							1
			ARL20T962-0U	●		1	1					
			ARL20S962-0U	●						1		
			ARL20U962-0U	●								1
			ARL20A962-0U	●								1
7		HINGE COVER	ARE40T961-W9	●	●	1	1	1	1	1	1	
8		UPPER FRAME ASSY	ARE00T961W9U		●	1	1	1	1	1	1	
			ARE00T962W9U	●		1	1		1	1	1	
9		HANDLE	ARB10T961-W9		●	1	1	1	1	1	1	
			ARB10T962-W9	●		1	1		1	1	1	
10		HOOK BUTTON	ARE05EB10-SJ	●	●	1	1	1	1	1	1	
11		HOOK BUTTON SHAFT	ARE07EA241TW	●	●	1	1	1	1	1	1	
12		HOOK SPRING	ARE06EA29	●	●	1	1	1	1	1	1	
13		UPPER FRAME	ARE00T961-W9		●	1	1	1	1	1	1	
			ARE00T962-W9	●		1	1		1	1	1	
14		ESCUTCHEON SEAL	ARN34T961		●	1	1	1	1	1	1	
			ARN34T962	●		1	1		1	1	1	
15		DECORATIVE PANEL B	ARN24T961-DE	●	●	1						
			ARN24H961-DE	●	●		1	1	1	1	1	
16		ESCUTCHEON ASSY	ARN11T961AVU		●	1						
			ARN11H961AVU		●		1	1	1		1	
			ARN11U961AVU		●						1	
			ARN11T962AVU	●		1						
			ARN11H962AVU	●			1		1			1
17		LEAD WIRE A ASSY	ARN97T961-0U		●	1	1	1	1	1	1	
			ARN97T962-0U	●		1	1		1	1	1	
18		LEAD WIRE B ASSY	ARN98T961-0U		●	1	1	1	1	1	1	
			ARN98T962-0U	●		1	1		1	1	1	
19	⚠	CONTROL UNIT COMPLETE	ARH01T961-0U		●	1						
			ARH01H961-0U		●		1	1	1			
			ARH01U961-0U		●						1	

Parts List

Ref.No.	Safety	Part name	Part No.	MODEL		COUNTRIES / Q' TY					Remark	
				MS102	MS182	THAI	HK	RBD	DBD	TAI		USA
			ARH01A961-0U		●						1	
			ARH01T962-0U	●		1						
			ARH01H962-0U	●			1		1			
			ARH01U962-0U	●						1		
			ARH01A962-0U	●							1	
20	△	CONTROL UNIT	ARR30T961		●	1						
			ARR30H961		●		1	1	1			
			ARR30U961		●					1		
			ARR30A9612		●						1	
			ARR30T962	●		1						
			ARR30H962	●			1		1			
			ARR30U962	●						1		
			ARR30A9622	●							1	
21		PCB BASE	ARH01T961	●	●	1	1	1	1	1	1	
22		PROTECTING FRAME	ARE20T961		●	1	1	1	1	1	1	
			ARE20T962	●		1	1		1	1	1	
23		HEAT PROTECTING FRAME	ARE31T961		●	1	1	1	1	1	1	
			ARE31T962	●		1	1		1	1	1	
24		HINGE EARTH LEAD WIRE	ARE46T955		●	1						
			ARE46S955		●		1	1	1	1		
			ARE46T962	●		1						
			ARE46H962	●			1		1	1		
25	△	THERMOSTAT ASSY	ARS10T961-0U		●	1						
			ARS10H961-0U		●		1	1	1	1		
			ARS10A961-0U		●						1	
			ARS10T962-0U	●		1						
			ARS10H962-0U	●			1		1	1		
			ARS10A962-0U	●							1	
26		OUTER SPRING	AQS61T2701	●	●	1	1	1	1	1	1	
27	△	NAME PLATE	ARY00T961		●	1						
			ARY00H961-W9		●		1					
			ARY00V961-W9		●			1				
			ARY00S961-W9		●				1			
			ARY00U961-W9		●					1		
			ARY00A961-W9		●						1	
			ARY00T962	●		1						
			ARY00H962-W9	●			1					
			ARY00S962-W9	●					1			
			ARY00U962-W9	●						1		
			ARY00A962-W9	●							1	
28		BODY	ARE10T961-W9		●	1	1	1	1	1	1	
			ARE10T962-W9	●		1	1		1	1	1	
29		INLET PLATE	ARF27T961-W9	●	●	1	1	1	1	1	1	
30		INLET	ARG10T920-0U	●	●	1	1	1	1	1		
			ARF19T934-0U	●	●						1	
31		INLET COVER	ARF26T961	●	●	1	1	1	1	1	1	
32		STEAMING BASKET	ARK53H616-W9		●	1	1	1	1	1	1	
			ARK53H617-W9	●		1	1		1	1	1	
33		MEASURING CUP	ASR792-454BK	●	●	1	1	1	1	1	1	
34		SCOOP	ASR79WT281AK	●	●	1	1	1	1	1	1	
35	△	POWER CORD ASSY (C-3)	ARQ00T959-0U	●	●	1						
		POWER CORD ASSY (S-3)	ARQ00M961-0U	●	●		1		1			
		POWER CORD ASSY (SH-3)	ARQ00T920-0U		●			1				
		POWER CORD ASSY (A-3)	ARQ00T68310U	●	●					1		
		POWER CORD ASSY (A-2P)	ARQ00A961-0U	●	●						1	
36	△	SIDE HEATER ASSY	ARL10H961-0U		●	1	1	1	1			
			ARL10U961-0U		●					1		
			ARL10A96110U		●						1	
			ARL10H962-0U	●		1	1		1			
			ARL10A96210U	●						1	1	

Screws

Ref.No.	Safety	Part name	Part No.	MODEL		COUNTRIES / Q' TY						Remark
				MS102	MS182	THAI	HK	RBD	DBD	TAI	USA	
		SCREW	XTB4+12GFJ	●	●	3	3	3	3	3	3	FOR CONTROL UNIT
		SCREW	XTB4+14CFJ	●	●	4	4	4	4	4	4	FOR BODY
		SCREW	XTT4+8FFJ	●	●	3	3	3	3	3	3	FOR HEAT PROTECTING FRAME
		SCREW	XTN4+16AVW	●	●	1	1	1	1	1	1	FOR HINGE COVER
		SCREW	XYN4+C10FNS	●	●	1	1	1	1	1	1	FOR CAST HEATER ASSY
		SCREW	XYN4+C7FNS	●	●	2	2	2	2	2	2	FOR INTERNAL WIRING
		SCREW	ASR270-977AZ	●	●	1	1	1	1	1	1	FOR PCB BASE

Packing

Ref.No.	Safety	Part name	Part No.	MODEL		COUNTRIES / Q' TY						Remark
				MS102	MS182	THAI	HK	RBD	DBD	TAI	USA	
1	⚠	OPERATION INSTRUCTION	ARZ19T961	●	●							
			ARZ19H9612	●	●							
			ARZ19V9612		●							
			ARZ19S9611	●	●							
			ARZ19U9612	●	●							
			ARZ19A9612	●	●							
2		UPPER PAD ASSY	ARZ04T96100U		●	1	1	1	1	1	1	
			ARZ04T96200U	●		1	1		1	1	1	
3		POLYETHYLENE SHEET	ASR762T929-K	●	●	1	1	1	1	1	1	
4		RUST PROOF PAPER	ASR758T344B	●	●	1	1	1	1	1	1	
5		LOW PAD ASSY	ARZ11T961-0U		●	1	1	1	1	1	1	
			ARZ11T96200U	●		1	1		1	1	1	
6	⚠	INNER PACKING CASE	ARZ01T961-W9		●	1						
			ARZ01H961-W9		●		1					
			ARZ01V961-W9		●			1				
			ARZ01S961-W9		●				1			
			ARZ01U961-W9		●						1	
			ARZ01A961-W9		●							1
			ARZ01T962-W9	●		1						
			ARZ01H962-W9	●			1					
			ARZ01S962-W9	●					1			
			ARZ01U962-W9	●							1	
7		MENU BOOK	ARZ20T961	●	●	1						
			ARZ20H961	●	●		1					
			ARZ20S961	●	●			1	1	1		

DETAIL CHANGE NOTICE

Revision	Item No.	Page	Detail	Remark
Jan. 2010	1	23	Change Part No. of Pan	Change coating from 1 to 2 layer
	2	30	Change Part No. of Protecting Frame	Use common with SR-MG, SR-MGS