

Parts List

Panasonic

File No.

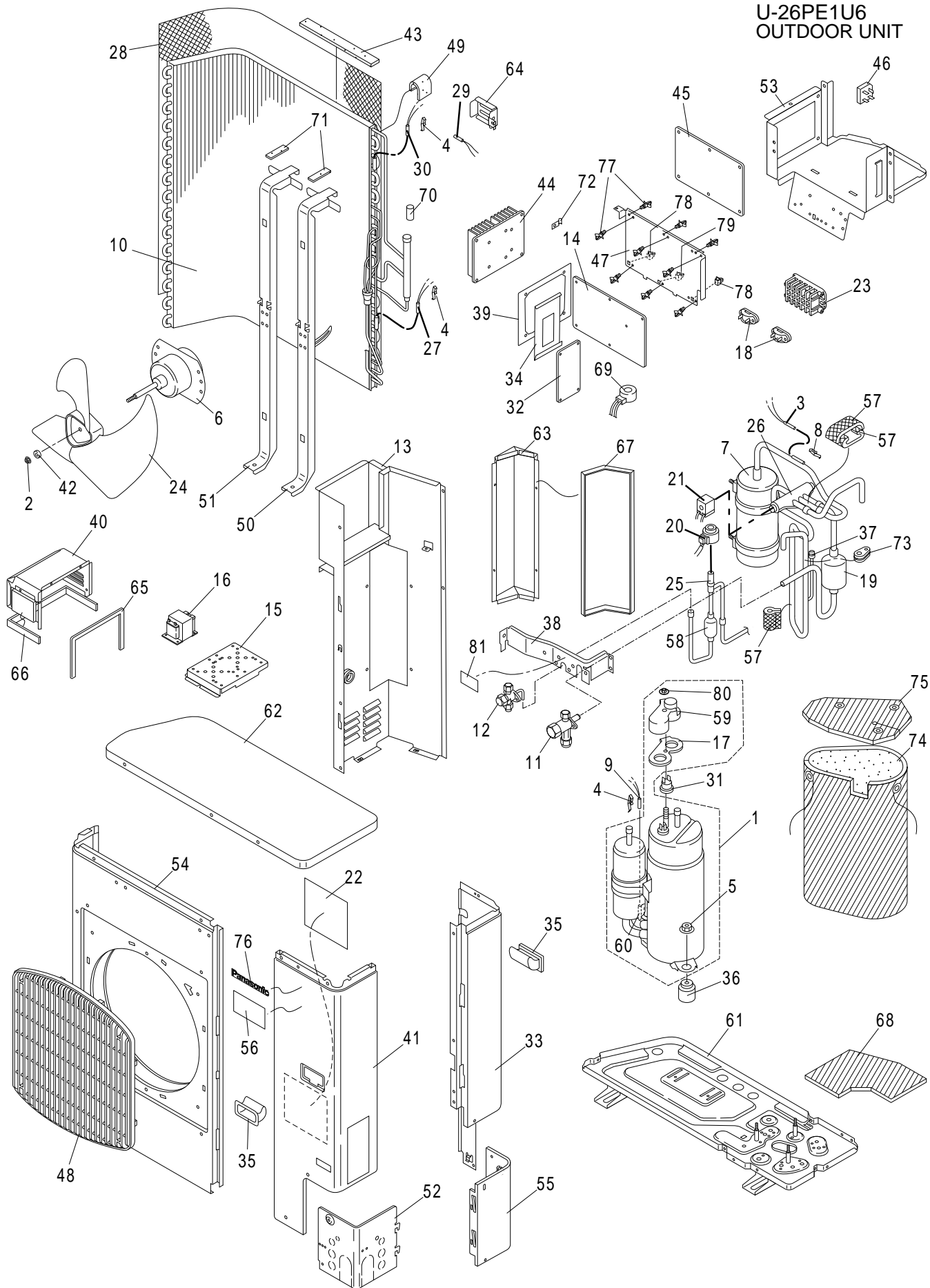
Air Conditioner

REFERENCE No.PL 834558

— CONTENTS —

| | Model No. | Prod.Code | Volt-Phase-Hertz | Country of Origin | Page |
|--------------|-----------|--------------|------------------|-------------------|------|
| OUTDOOR UNIT | U-26PE1U6 | 1 854 043 09 | 220-240-1-50/60 | Made in China | 1 |
| | U-36PE1U6 | 1 854 043 10 | 220-240-1-50/60 | Made in China | 5 |
| | U-42PE1U6 | 1 854 043 11 | 220-240-1-50/60 | Made in China | 9 |
| | U-26PS1U6 | 1 854 043 12 | 220-240-1-50/60 | Made in China | 13 |
| | U-36PS1U6 | 1 854 043 13 | 220-240-1-50/60 | Made in China | 17 |
| | U-42PS1U6 | 1 854 043 14 | 220-240-1-50/60 | Made in China | 21 |
| INDOOR UNIT | S-26PU1U6 | 1 854 042 30 | 208-230-1-60 | Made in Japan | 25 |
| | S-36PU1U6 | 1 854 042 31 | 208-230-1-60 | Made in Japan | 28 |
| | S-42PU1U6 | 1 854 042 32 | 208-230-1-60 | Made in Japan | 31 |
| | S-26PK1U6 | 1 854 042 33 | 208-230-1-60 | Made in China | 34 |
| | S-26PT1U6 | 1 854 042 38 | 208-230-1-60 | Made in Japan | 37 |
| | S-36PT1U6 | 1 854 042 39 | 208-230-1-60 | Made in Japan | 40 |
| | S-42PT1U6 | 1 854 042 40 | 208-230-1-60 | Made in Japan | 43 |
| | S-26PF1U6 | 1 854 042 41 | 208-230-1-60 | Made in Japan | 46 |
| | S-36PF1U6 | 1 854 042 42 | 208-230-1-60 | Made in Japan | 49 |

U-26PE1U6
OUTDOOR UNIT



ATTENTION!

To ensure correct parts supply, please let us know the following,

Part No. when you make service parts order:

1.Part No. 2.Description 3.Q'ty 4.Volts-Hz-Ph 5.Product Mode No.

U-26PE1U6
OUTDOOR UNIT

| KeyNo. | Part No. | Description | Model Number | Q'ty | Reference No. |
|--------|---------------|--------------------------|------------------|------|---------------|
| * 1 | CV 6231843171 | Compressor Ass'y(INV) | C-7RVN153H0U | 1 | 8540452530000 |
| 2 | CV 6380126705 | Domed Cap Nuts | | 1 | 3927506010 |
| * 3 | CV 6231811897 | Thermistor(TS) | DTN-C532G3H-TKS2 | 1 | 1FA4V2E030500 |
| 4 | CV 6231485876 | Mounting Thermostat | | 3 | 8522530322401 |
| 5 | CV 6230296497 | Nut Special Ass'y | | 3 | 8510239510201 |
| * 6 | CV 6231915717 | Fan Motor | DAJ12-95B61A-CR | 1 | 1FA4M4A012000 |
| 7 | CV 6233189840 | Accumulator Ass'y | | 1 | 8540451750200 |
| 8 | CV 6231696487 | Mounting Thermostat | | 1 | 8522530324801 |
| * 9 | CV 6231664141 | Thermistor(TD) | DTNC583G3UTKS236 | 1 | 1FA4V2E012000 |
| * 10 | CV 6231811972 | Heat Exch Ass'y | | 1 | 8540412448500 |
| 11 | CV 6231811965 | Valve Ass'y 5/8 in. | | 1 | 8540450628500 |
| 12 | CV 6231811958 | Valve Ass'y 3/8 in. | | 1 | 8540450432300 |
| 13 | CV 6231915755 | Partition Plate Ass'y | | 1 | 85402516321H2 |
| * 14 | CV 6231921909 | Controller Ass'y | CR-CH4872R | 1 | 8549953605286 |
| 15 | CV 6231811927 | Mounting Plate | | 1 | 8542236196301 |
| * 16 | CV 6231811910 | Reactor | R902C2-TB | 1 | 1FA4L5C012000 |
| 17 | CV 6260401007 | Gasket Terminal | | 1 | 8012530314200 |
| 18 | CV 6231407595 | Clip Wire | | 2 | 8522530416700 |
| 19 | CV 6231849555 | Muffler | | 1 | 8542451912800 |
| * 20 | CV 6231715874 | Magnetic Coil(MOV) | UKV-U013E | 1 | 1FA4L8A019700 |
| * 21 | CV 6231915779 | Magnetic Coil Ass'y(20S) | STF-01AQ503UA1 | 1 | 8FA0525117600 |
| 22 | CV 6231915762 | Elec. Wiring Diagram | | 1 | 8FA2525771700 |
| * 23 | CV 6233027265 | Terminal Base | HP-T3041-E2C6-L2 | 1 | 1FA4J3A030000 |
| 24 | CV 6231736893 | Propeller Fan Ass'y | | 1 | 8542253910610 |
| * 25 | CV 6231704267 | Solenoid Control Valve | UKV-18D13 | 1 | 8542454815000 |
| * 26 | CV 6231915809 | Reversing Valve | STF-02U2G | 1 | 8542450819000 |
| * 27 | CV 6231664660 | Thermistor(C1) | DTNC532G3HTKS232 | 1 | 1FA4V2E012100 |
| 28 | CV 6231812047 | Guard | | 1 | 8542111327500 |
| * 29 | CV 6231664233 | Thermistor(TO) | DTNC532G3HTKS238 | 1 | 1FA4V2E011600 |
| * 30 | CV 6231812030 | Thermistor(C2) | PB2M-41E-S1 | 1 | 1FA4V2E030300 |
| * 31 | CV 6231915793 | Thermostat(OLR) | CS-7L110 | 1 | 4233960062 |
| * 32 | CV 6231921916 | P.C.B. Ass'y | HIC-CH2672R | 1 | 8549953605288 |
| 33 | CV 6231915854 | Rear Panel | | 1 | 85421103366H2 |
| 34 | CV 6231915847 | Sheet | | 1 | 1FA4G1A008900 |
| 35 | CV 6231812115 | Knob | | 2 | 85421311131H1 |
| 36 | CV 6231056106 | Cushion Rubber | | 3 | 8512239015600 |
| * 37 | CV 6231915830 | Switch Ass'y(63PH) | ACB-4UB3002W | 1 | 8FA0525703700 |
| 38 | CV 6231812092 | Support valve | | 1 | 8542412932501 |
| 39 | CV 6231915823 | Sheet | | 1 | 1FA4G1A008800 |
| 40 | CV 6231812078 | Mounting Plate Ass'y | | 1 | 8540232368701 |

NOTE: Metal and plastic parts will be supplied basically with necessary heat insulation pads or packing. Each key number with an asterisk (*) means the recommended service parts.

ATTENTION!

To ensure correct parts supply, please let us know the following,

Part No. when you make service parts order:

1.Part No. 2.Description 3.Q'ty 4.Volts-Hz-Ph 5.Product Mode No.

U-26PE1U6
OUTDOOR UNIT

| KeyNo. | Part No. | Description | Model Number | Q'ty | Reference No. |
|--------|---------------|-----------------------------|--------------|------|---------------|
| 41 | CV 6231915892 | Front Panel | | 1 | 85421116192H5 |
| 42 | CV 6230954960 | Washer Special | | 1 | 8542135513300 |
| 43 | CV 6380194452 | Packing | | 1 | 8542236651900 |
| 44 | CV 6231915885 | Cooler | | 1 | 8542532519301 |
| * 45 | CV 6231921923 | P.C.B. Ass'y | FIL-CH4872R | 1 | 8549953605287 |
| * 46 | CV 4070037003 | Diode | DBA250G | 1 | DDDBA250G---N |
| 47 | CV 6231812023 | Elec. Component Box | | 1 | 8542530625901 |
| 48 | CV 6231915861 | Guard | | 1 | 8542111321912 |
| 49 | CV 6231813044 | Packing | | 1 | 8542236672100 |
| 50 | CV 6231812214 | Base Ass'y, Fan Motor | | 1 | 8540250721201 |
| 51 | CV 6231812207 | Support Fan Motor | | 1 | 8542251638501 |
| 52 | CV 6233135168 | Cover Plate | | 1 | 8542234287423 |
| 53 | CV 6231812016 | Elec. Component Box Ass'y | | 1 | 8540531101601 |
| 54 | CV 6231915922 | Front Panel | | 1 | 8542111619112 |
| 55 | CV 6233135175 | Cover Plate | | 1 | 8542113343223 |
| 56 | CV 6233189857 | Badge | | 1 | 8542135433500 |
| 57 | CV 6230529359 | Vibration Insulation | | 3 | 8522247515400 |
| 58 | CV 6231018968 | Strainer Ass'y | | 1 | 8540452213100 |
| 59 | CV 6230957985 | Cover Terminal | | 1 | 8012619413400 |
| 60 | CV 6231250184 | Mounting Thermostat | | 1 | 8522530317700 |
| 61 | CV 6233189864 | Bottom Plate Ass'y | | 1 | 8540220458803 |
| 62 | CV 6231915984 | Top Panel | | 1 | 85421112394H3 |
| 63 | CV 6231812252 | Mounting Plate Ass'y | | 1 | 8540232368601 |
| 64 | CV 6231915960 | Mounting Plate | | 1 | 8542530922411 |
| 65 | CV 6231921947 | Packing | | 1 | 8542236671710 |
| 66 | CV 6231921930 | Packing | | 1 | 8542236672310 |
| 67 | CV 6231812962 | Packing | | 1 | 8542236671600 |
| 68 | CV 6231693585 | Sound Insulation Compressor | | 1 | 8542242225800 |
| * 69 | CV 6231916011 | Transformer Ass'y | CL-9 | 1 | 8FA0526304400 |
| 70 | CV 6231708364 | Insulation Special | | 1 | 8542241133100 |
| 71 | CV 6231885447 | Packing | | 2 | 8542236670300 |
| 72 | CV 6231916004 | Mounting Plate | | 1 | 8542236206801 |
| 73 | CV 6231916035 | Protection Rubber | | 1 | 8542235618300 |
| 74 | CV 6231812221 | Sound Insulation Compressor | | 1 | 8542242235100 |
| 75 | CV 6231812108 | Sound Insulation Compressor | | 1 | 8542242235000 |
| 76 | CV 6233162478 | Badge | | 1 | 8542135433001 |
| 77 | CV 6230971677 | Spacer | SPLSN-6 | 9 | 8512536603800 |
| 78 | CV 6230964068 | Spacer | #616 | 2 | 8512536603300 |
| 79 | CV 6231927949 | Spacer | 2196 | 1 | 8512536607600 |
| 80 | CV 6260400888 | Nut 5mm | | 1 | 8012830510100 |

NOTE: Metal and plastic parts will be supplied basically with necessary heat insulation pads or packing. Each key number with an asterisk (*) means the recommended service parts.

ATTENTION!

To ensure correct parts supply, please let us know the following,

Part No. when you make service parts order:

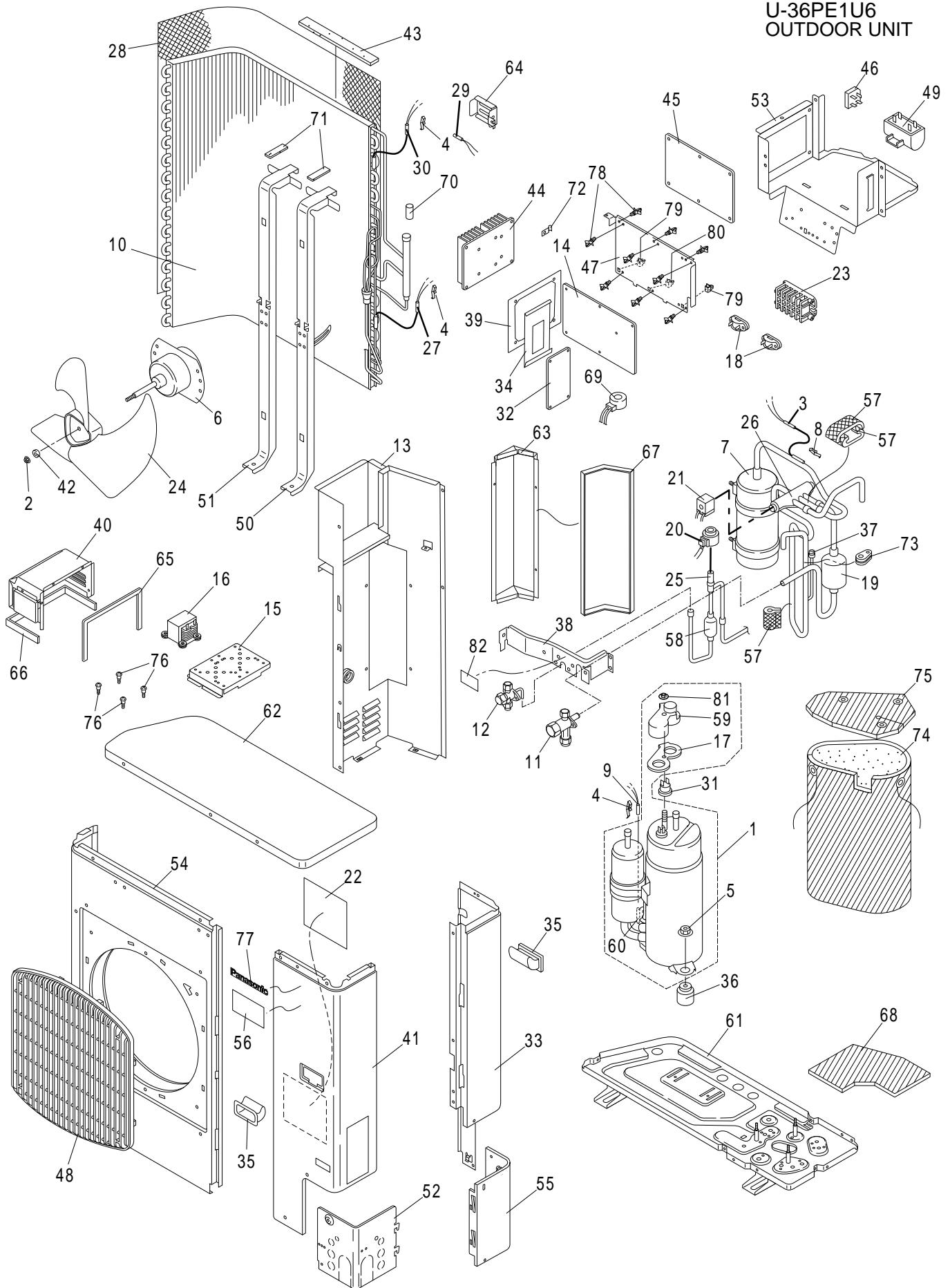
U-26PE1U6
OUTDOOR UNIT

1.Part No. 2.Description 3.Q'ty 4.Volts-Hz-Ph 5.Product Mode No.

| KeyNo. | Part No. | Description | Model Number | Q'ty | Reference No. |
|--------|---------------|---------------------------|--------------|------|---------------|
| 81 | CV 6233193526 | Caution Label | | 1 | 8546575950500 |
| | CV 6233186900 | Operation Manual | | 1 | 8546460916302 |
| | CV 6233186979 | Installation Instructions | | 1 | 8546436953102 |

NOTE: Metal and plastic parts will be supplied basically with necessary heat insulation pads or packing. Each key number with an asterisk (*) means the recommended service parts.

U-36PE1U6
OUTDOOR UNIT



ATTENTION!

To ensure correct parts supply, please let us know the following,

Part No. when you make service parts order:

1.Part No. 2.Description 3.Q'ty 4.Volts-Hz-Ph 5.Product Mode No.

U-36PE1U6
OUTDOOR UNIT

| KeyNo. | Part No. | Description | Model Number | Q'ty | Reference No. |
|--------|---------------|--------------------------|------------------|------|---------------|
| * 1 | CV 6231843171 | Compressor Ass'y(INV) | C-7RVN153H0U | 1 | 8540452530000 |
| 2 | CV 6380126705 | Domed Cap Nuts | | 1 | 3927506010 |
| * 3 | CV 6231811897 | Thermistor(TS) | DTN-C532G3H-TKS2 | 1 | 1FA4V2E030500 |
| 4 | CV 6231485876 | Mounting Thermostat | | 3 | 8522530322401 |
| 5 | CV 6230296497 | Nut Special Ass'y | | 3 | 8510239510201 |
| * 6 | CV 6231915717 | Fan Motor | DAJ12-95B61A-CR | 1 | 1FA4M4A012000 |
| 7 | CV 6233189840 | Accumulator Ass'y | | 1 | 8540451750200 |
| 8 | CV 6231696487 | Mounting Thermostat | | 1 | 8522530324801 |
| * 9 | CV 6231664141 | Thermistor(TD) | DTNC583G3UTKS236 | 1 | 1FA4V2E012000 |
| * 10 | CV 6231812283 | Heat Exch Ass'y | | 1 | 8540412449100 |
| 11 | CV 6231811965 | Valve Ass'y 5/8 in. | | 1 | 8540450628500 |
| 12 | CV 6231811958 | Valve Ass'y 3/8 in. | | 1 | 8540450432300 |
| 13 | CV 6231915755 | Partition Plate Ass'y | | 1 | 85402516321H2 |
| * 14 | CV 6231921909 | Controller Ass'y | CR-CH4872R | 1 | 8549953605286 |
| 15 | CV 6231811927 | Mounting Plate | | 1 | 8542236196301 |
| * 16 | CV 6231812269 | Reactor | R502AH14-T23 | 1 | 1FA4L5C011900 |
| 17 | CV 6260401007 | Gasket Terminal | | 1 | 8012530314200 |
| 18 | CV 6231407595 | Clip Wire | | 2 | 8522530416700 |
| 19 | CV 6231849555 | Muffler | | 1 | 8542451912800 |
| * 20 | CV 6231715874 | Magnetic Coil(MOV) | UKV-U013E | 1 | 1FA4L8A019700 |
| * 21 | CV 6231915779 | Magnetic Coil Ass'y(20S) | STF-01AQ503UA1 | 1 | 8FA0525117600 |
| 22 | CV 6231916042 | Elec. Wiring Diagram | | 1 | 8FA2525771800 |
| * 23 | CV 6233027265 | Terminal Base | HP-T3041-E2C6-L2 | 1 | 1FA4J3A030000 |
| 24 | CV 6231736893 | Propeller Fan Ass'y | | 1 | 8542253910610 |
| * 25 | CV 6231704267 | Solenoid Control Valve | UKV-18D13 | 1 | 8542454815000 |
| * 26 | CV 6231915809 | Reversing Valve | STF-02U2G | 1 | 8542450819000 |
| * 27 | CV 6231664660 | Thermistor(C1) | DTNC532G3HTKS232 | 1 | 1FA4V2E012100 |
| 28 | CV 6231812047 | Guard | | 1 | 8542111327500 |
| * 29 | CV 6231664233 | Thermistor(TO) | DTNC532G3HTKS238 | 1 | 1FA4V2E011600 |
| * 30 | CV 6231812030 | Thermistor(C2) | PB2M-41E-S1 | 1 | 1FA4V2E030300 |
| * 31 | CV 6231915793 | Thermostat(OLR) | CS-7L110 | 1 | 4233960062 |
| * 32 | CV 6231921916 | P.C.B. Ass'y | HIC-CH2672R | 1 | 8549953605288 |
| 33 | CV 6231915854 | Rear Panel | | 1 | 85421103366H2 |
| 34 | CV 6231915847 | Sheet | | 1 | 1FA4G1A008900 |
| 35 | CV 6231812115 | Knob | | 2 | 85421311131H1 |
| 36 | CV 6231056106 | Cushion Rubber | | 3 | 8512239015600 |
| * 37 | CV 6231915830 | Switch Ass'y(63PH) | ACB-4UB3002W | 1 | 8FA0525703700 |
| 38 | CV 6231812092 | Support valve | | 1 | 8542412932501 |
| 39 | CV 6231915823 | Sheet | | 1 | 1FA4G1A008800 |
| 40 | CV 6231812078 | Mounting Plate Ass'y | | 1 | 8540232368701 |

NOTE: Metal and plastic parts will be supplied basically with necessary heat insulation pads or packing. Each key number with an asterisk (*) means the recommended service parts.

ATTENTION!

To ensure correct parts supply, please let us know the following,

Part No. when you make service parts order:

1.Part No. 2.Description 3.Q'ty 4.Volts-Hz-Ph 5.Product Mode No.

U-36PE1U6
OUTDOOR UNIT

| KeyNo. | Part No. | Description | Model Number | Q'ty | Reference No. |
|--------|---------------|-----------------------------|----------------|------|---------------|
| 41 | CV 6231915892 | Front Panel | | 1 | 85421116192H5 |
| 42 | CV 6230954960 | Washer Special | | 1 | 8542135513300 |
| 43 | CV 6380194452 | Packing | | 1 | 8542236651900 |
| 44 | CV 6231915885 | Cooler | | 1 | 8542532519301 |
| * 45 | CV 6231921923 | P.C.B. Ass'y | FIL-CH4872R | 1 | 8549953605287 |
| * 46 | CV 4070037003 | Diode | DBA250G | 1 | DDDBA250G---N |
| 47 | CV 6231812023 | Elec. Component Box | | 1 | 8542530625901 |
| 48 | CV 6231915861 | Guard | | 1 | 8542111321912 |
| * 49 | CV 6231812320 | Fixed Capacitor | RU23B406R2396X | 1 | 1FA4C1A009200 |
| 50 | CV 6231812313 | Base Ass'y, Fan Motor | | 1 | 8540250721301 |
| 51 | CV 6231812306 | Support Fan Motor | | 1 | 8542251638601 |
| 52 | CV 6233135168 | Cover Plate | | 1 | 8542234287423 |
| 53 | CV 6231812016 | Elec. Component Box Ass'y | | 1 | 8540531101601 |
| 54 | CV 6231915922 | Front Panel | | 1 | 8542111619112 |
| 55 | CV 6233135175 | Cover Plate | | 1 | 8542113343223 |
| 56 | CV 6233189857 | Badge | | 1 | 8542135433500 |
| 57 | CV 6230529359 | Vibration Insulation | | 3 | 8522247515400 |
| 58 | CV 6231018968 | Strainer Ass'y | | 1 | 8540452213100 |
| 59 | CV 6230957985 | Cover Terminal | | 1 | 8012619413400 |
| 60 | CV 6231250184 | Mounting Thermostat | | 1 | 8522530317700 |
| 61 | CV 6233189864 | Bottom Plate Ass'y | | 1 | 8540220458803 |
| 62 | CV 6231915984 | Top Panel | | 1 | 85421112394H3 |
| 63 | CV 6231812252 | Mounting Plate Ass'y | | 1 | 8540232368601 |
| 64 | CV 6231915960 | Mounting Plate | | 1 | 8542530922411 |
| 65 | CV 6231921947 | Packing | | 1 | 8542236671710 |
| 66 | CV 6231921930 | Packing | | 1 | 8542236672310 |
| 67 | CV 6231812962 | Packing | | 1 | 8542236671600 |
| 68 | CV 6231693585 | Sound Insulation Compressor | | 1 | 8542242225800 |
| * 69 | CV 6231916011 | Transformer Ass'y | CL-9 | 1 | 8FA0526304400 |
| 70 | CV 6231708364 | Insulation Special | | 1 | 8542241133100 |
| 71 | CV 6231885447 | Packing | | 2 | 8542236670300 |
| 72 | CV 6231916004 | Mounting Plate | | 1 | 8542236206801 |
| 73 | CV 6231916035 | Protection Rubber | | 1 | 8542235618300 |
| 74 | CV 6231812221 | Sound Insulation Compressor | | 1 | 8542242235100 |
| 75 | CV 6231812108 | Sound Insulation Compressor | | 1 | 8542242235000 |
| 76 | CV 6231638074 | Screw Special | | 4 | 8522239615401 |
| 77 | CV 6233162478 | Badge | | 1 | 8542135433001 |
| 78 | CV 6230971677 | Spacer | SPLSN-6 | 9 | 8512536603800 |
| 79 | CV 6230964068 | Spacer | #616 | 2 | 8512536603300 |
| 80 | CV 6231927949 | Spacer | 2196 | 1 | 8512536607600 |

NOTE: Metal and plastic parts will be supplied basically with necessary heat insulation pads or packing. Each key number with an asterisk (*) means the recommended service parts.

ATTENTION!

To ensure correct parts supply, please let us know the following,

Part No. when you make service parts order:

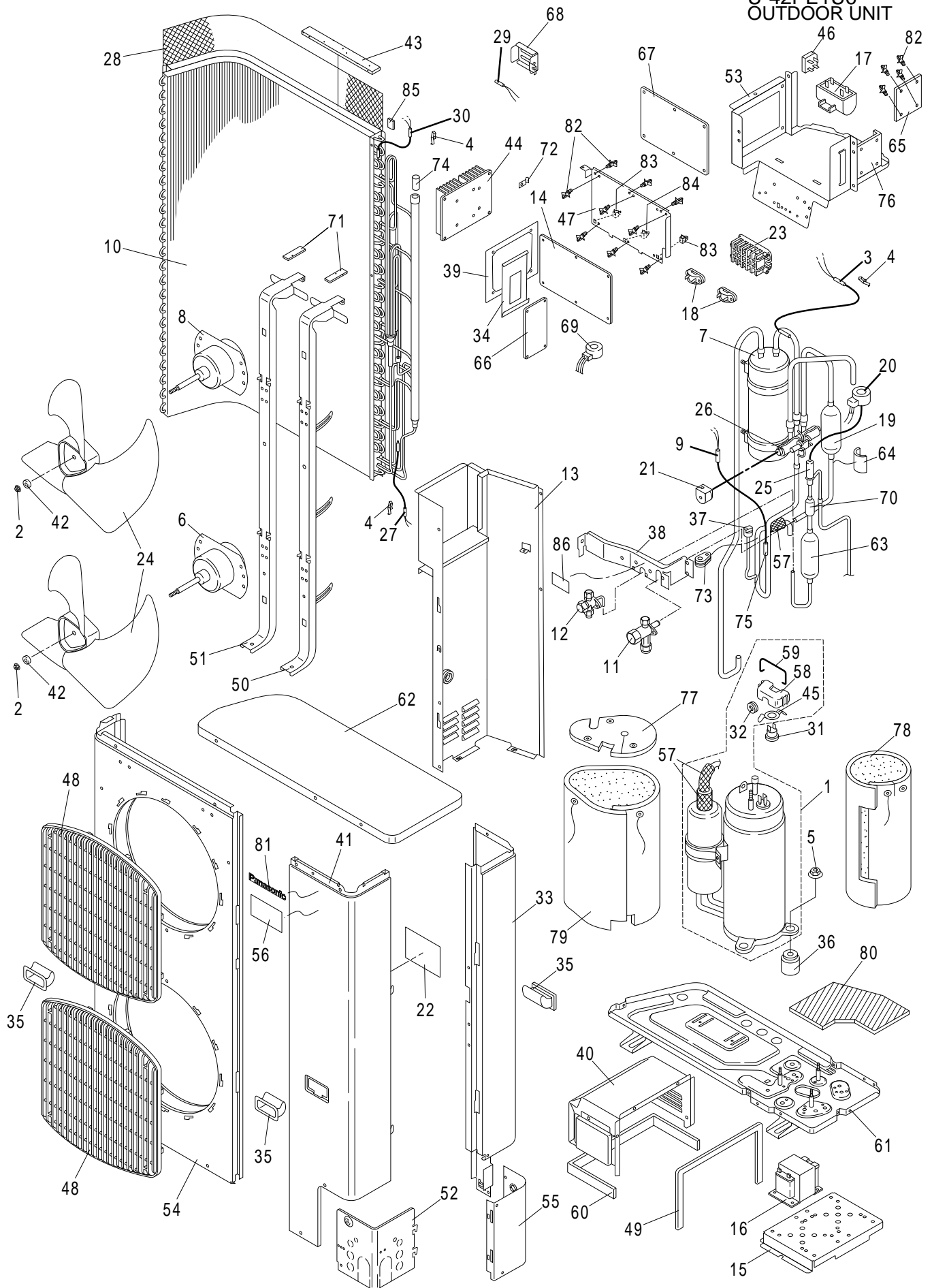
1.Part No. 2.Description 3.Q'ty 4.Volts-Hz-Ph 5.Product Mode No.

U-36PE1U6
OUTDOOR UNIT

| KeyNo. | Part No. | Description | Model Number | Q'ty | Reference No. |
|--------|---------------|---------------------------|--------------|------|---------------|
| 81 | CV 6260400888 | Nut 5mm | | 1 | 8012830510100 |
| 82 | CV 6233193526 | Caution Label | | 1 | 8546575950500 |
| | CV 6233186900 | Operation Manual | | 1 | 8546460916302 |
| | CV 6233186979 | Installation Instructions | | 1 | 8546436953102 |

NOTE: Metal and plastic parts will be supplied basically with necessary heat insulation pads or packing. Each key number with an asterisk (*) means the recommended service parts.

U-42PE1U6
OUTDOOR UNIT



ATTENTION!

To ensure correct parts supply, please let us know the following,

Part No. when you make service parts order:

1.Part No. 2.Description 3.Q'ty 4.Volts-Hz-Ph 5.Product Mode No.

U-42PE1U6
OUTDOOR UNIT

| KeyNo. | Part No. | Description | Model Number | Q'ty | Reference No. |
|--------|---------------|--------------------------|------------------|------|---------------|
| * 1 | CV 6231843188 | Compressor Ass'y(INV) | C-9RVN273H0W | 1 | 8540452530100 |
| 2 | CV 6380126705 | Domed Cap Nuts | | 2 | 3927506010 |
| * 3 | CV 6231664158 | Thermistor(TS) | | 1 | 1FA4V2E011900 |
| 4 | CV 6231485876 | Mounting Thermostat | | 3 | 8522530322401 |
| 5 | CV 6230296497 | Nut Special Ass'y | | 3 | 8510239510201 |
| * 6 | CV 6231915717 | Fan Motor | DAJ12-95B61A-CR | 1 | 1FA4M4A012000 |
| 7 | CV 6233113593 | Accumulator Ass'y | | 1 | 8540451753101 |
| * 8 | CV 6231916073 | Fan Motor | DAJ12-95B61B-CR | 1 | 1FA4M4A012100 |
| * 9 | CV 6231664141 | Thermistor(TD) | DTNC583G3UTKS236 | 1 | 1FA4V2E012000 |
| * 10 | CV 6231812382 | Heat Exch Ass'y | | 1 | 8540412449200 |
| 11 | CV 6231811965 | Valve Ass'y 5/8 in. | | 1 | 8540450628500 |
| 12 | CV 6231811958 | Valve Ass'y 3/8 in. | | 1 | 8540450432300 |
| 13 | CV 6231916080 | Partition Plate Ass'y | | 1 | 85402516322H2 |
| * 14 | CV 6231921909 | Controller Ass'y | CR-CH4872R | 1 | 8549953605286 |
| 15 | CV 6231811927 | Mounting Plate | | 1 | 8542236196301 |
| * 16 | CV 6231709729 | Reactor | R202AB | 1 | 1FA4L5C004600 |
| * 17 | CV 6231527347 | Fixed Capacitor | RU23B606R2398X | 1 | 1FA4C1A009400 |
| 18 | CV 6231407595 | Clip Wire | | 2 | 8522530416700 |
| 19 | CV 6231849579 | Muffler | | 1 | 8542451918400 |
| * 20 | CV 6231715874 | Magnetic Coil(MOV) | UKV-U013E | 1 | 1FA4L8A019700 |
| * 21 | CV 6231915779 | Magnetic Coil Ass'y(20S) | STF-01AQ503UA1 | 1 | 8FA0525117600 |
| 22 | CV 6231916097 | Elec. Wiring Diagram | | 1 | 8FA2525771900 |
| * 23 | CV 6233027265 | Terminal Base | HP-T3041-E2C6-L2 | 1 | 1FA4J3A030000 |
| 24 | CV 6231736893 | Propeller Fan Ass'y | | 2 | 8542253910610 |
| * 25 | CV 6231704144 | Solenoid Control Valve | UKV-25D | 1 | 8542454814900 |
| * 26 | CV 6231916103 | Reversing Valve | STF-04U1G | 1 | 8542450819100 |
| * 27 | CV 6231812603 | Thermistor(C1) | DTN-C532G3H-TKS2 | 1 | 1FA4V2E030800 |
| 28 | CV 6231104517 | Guard | | 1 | 8542111316700 |
| * 29 | CV 6231664233 | Thermistor(TO) | DTNC532G3HTKS238 | 1 | 1FA4V2E011600 |
| * 30 | CV 6231664165 | Thermistor(C2) | DTNC532G3HTKS233 | 1 | 1FA4V2E011800 |
| * 31 | CV 6231915793 | Thermostat(OLR) | CS-7L110 | 1 | 4233960062 |
| 32 | CV 6231695190 | Eyelet Rubber Lead Wire | | 1 | 8012530412600 |
| 33 | CV 6231916110 | Rear Panel | | 1 | 85421103367H2 |
| 34 | CV 6231915847 | Sheet | | 1 | 1FA4G1A008900 |
| 35 | CV 6231812115 | Knob | | 3 | 85421311131H1 |
| 36 | CV 6231450577 | Cushion Rubber | | 3 | 8192692010700 |
| * 37 | CV 6231915830 | Switch Ass'y(63PH) | ACB-4UB3002W | 1 | 8FA0525703700 |
| 38 | CV 6231812092 | Support valve | | 1 | 8542412932501 |
| 39 | CV 6231915823 | Sheet | | 1 | 1FA4G1A008800 |
| 40 | CV 6231812078 | Mounting Plate Ass'y | | 1 | 8540232368701 |

NOTE: Metal and plastic parts will be supplied basically with necessary heat insulation pads or packing. Each key number with an asterisk (*) means the recommended service parts.

ATTENTION!

To ensure correct parts supply, please let us know the following,

Part No. when you make service parts order:

1.Part No. 2.Description 3.Q'ty 4.Volts-Hz-Ph 5.Product Mode No.

U-42PE1U6
OUTDOOR UNIT

| KeyNo. | Part No. | Description | Model Number | Q'ty | Reference No. |
|--------|---------------|-----------------------------|--------------|------|---------------|
| 41 | CV 6233190310 | Front Panel | | 1 | 85421116278H4 |
| 42 | CV 6230954960 | Washer Special | | 2 | 8542135513300 |
| 43 | CV 6380194452 | Packing | | 1 | 8542236651900 |
| 44 | CV 6231915885 | Cooler | | 1 | 8542532519301 |
| 45 | CV 6260400222 | Plate Protector | | 1 | 8012530212500 |
| * 46 | CV 4070037003 | Diode | DBA250G | 1 | DDDBA250G---N |
| 47 | CV 6231812023 | Elec. Component Box | | 1 | 8542530625901 |
| 48 | CV 6231915861 | Guard | | 2 | 8542111321912 |
| 49 | CV 6231921947 | Packing | | 1 | 8542236671710 |
| 50 | CV 6231812498 | Base Ass'y, Fan Motor | | 1 | 8540250721401 |
| 51 | CV 6231812481 | Support Fan Motor | | 1 | 8542251632501 |
| 52 | CV 6233135168 | Cover Plate | | 1 | 8542234287423 |
| 53 | CV 6231812016 | Elec. Component Box Ass'y | | 1 | 8540531101601 |
| 54 | CV 6233190327 | Front Panel | | 1 | 8542110199713 |
| 55 | CV 6233135175 | Cover Plate | | 1 | 8542113343223 |
| 56 | CV 6233189857 | Badge | | 1 | 8542135433500 |
| 57 | CV 6230529359 | Vibration Insulation | | 3 | 8522247515400 |
| 58 | CV 6260400826 | Cap Terminal Cover | | 1 | 8012619510700 |
| 59 | CV 6260400512 | Clip | | 1 | 8012534010500 |
| 60 | CV 6231921930 | Packing | | 1 | 8542236672310 |
| 61 | CV 6233190334 | Bottom Plate Ass'y | | 1 | 8540220458903 |
| 62 | CV 6231915984 | Top Panel | | 1 | 85421112394H3 |
| 63 | CV 6231812511 | Muffler | | 1 | 8542451918200 |
| 64 | CV 6380055487 | Mounting Rubber, Tube | | 1 | 8542431526800 |
| * 65 | CV 6231921961 | P.C.B. Ass'y | CR-FAN4872R | 1 | 8549953605290 |
| * 66 | CV 6231921954 | P.C.B. Ass'y | HIC-CH4872R | 1 | 8549953605289 |
| * 67 | CV 6231921923 | P.C.B. Ass'y | FIL-CH4872R | 1 | 8549953605287 |
| 68 | CV 6231915960 | Mounting Plate | | 1 | 8542530922411 |
| * 69 | CV 6231916011 | Transformer Ass'y | CL-9 | 1 | 8FA0526304400 |
| 70 | CV 6231018968 | Strainer Ass'y | | 1 | 8540452213100 |
| 71 | CV 6231885447 | Packing | | 2 | 8542236670300 |
| 72 | CV 6231916004 | Mounting Plate | | 1 | 8542236206801 |
| 73 | CV 6231916196 | Protection Rubber | | 1 | 8542235618400 |
| 74 | CV 6231708364 | Insulation Special | | 1 | 8542241133100 |
| 75 | CV 6231250184 | Mounting Thermostat | | 1 | 8522530317700 |
| 76 | CV 6231812412 | Elec. Component Box | | 1 | 8542530626001 |
| 77 | CV 6231812436 | Sound Insulation Compressor | | 1 | 8542242235700 |
| 78 | CV 6231812528 | Sound Insulation Compressor | | 1 | 8542242235800 |
| 79 | CV 6231812504 | Sound Insulation Compressor | | 1 | 8542242235900 |
| 80 | CV 6231695213 | Sound Insulation Compressor | | 1 | 8542242226500 |

NOTE: Metal and plastic parts will be supplied basically with necessary heat insulation pads or packing. Each key number with an asterisk (*) means the recommended service parts.

ATTENTION!

To ensure correct parts supply, please let us know the following,

Part No. when you make service parts order:

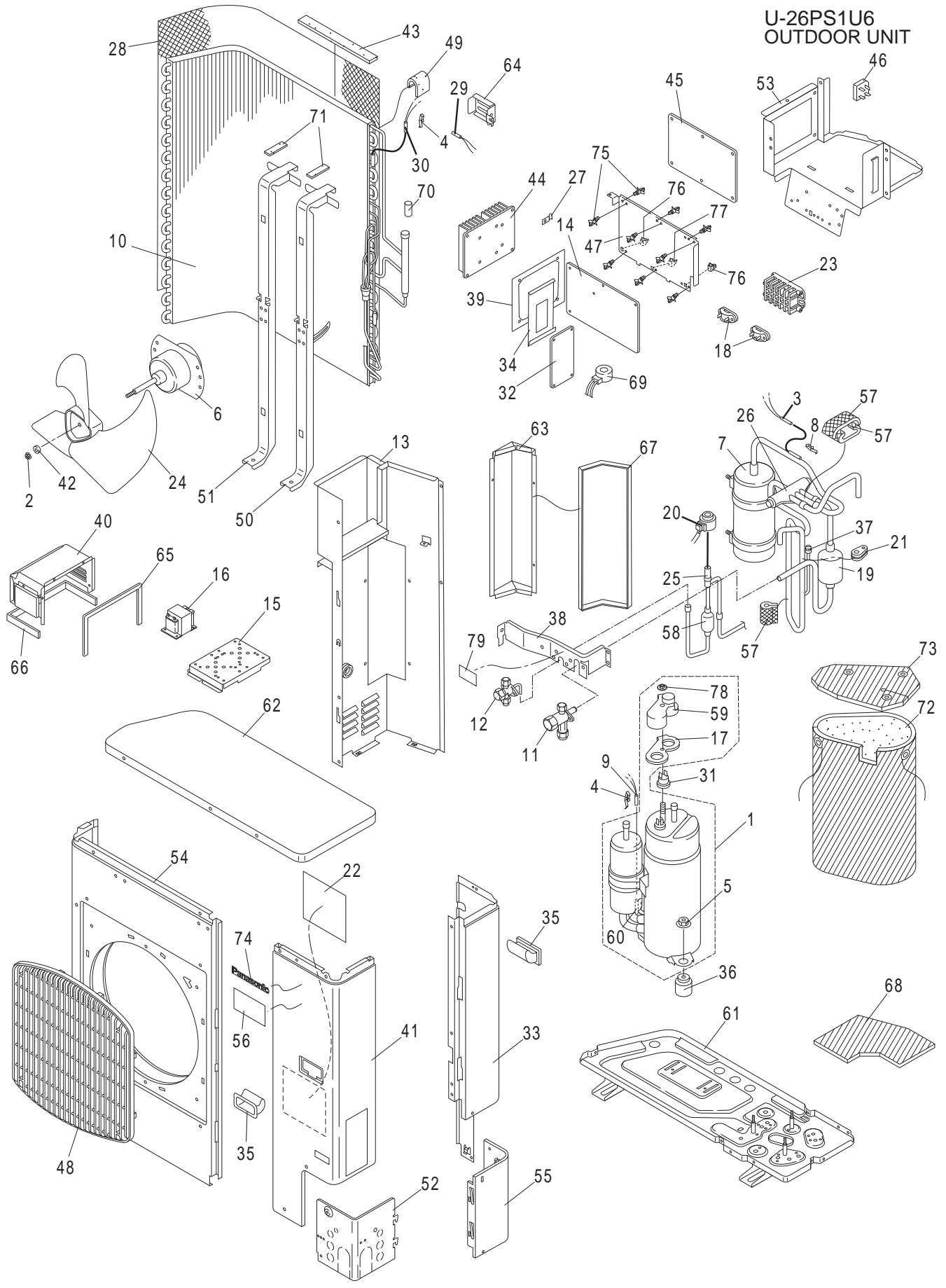
1.Part No. 2.Description 3.Q'ty 4.Volts-Hz-Ph 5.Product Mode No.

U-42PE1U6
OUTDOOR UNIT

| KeyNo. | Part No. | Description | Model Number | Q'ty | Reference No. |
|--------|---------------|---------------------------|--------------|------|---------------|
| 81 | CV 6233162478 | Badge | | 1 | 8542135433001 |
| 82 | CV 6230971677 | Spacer | SPLSN-6 | 13 | 8512536603800 |
| 83 | CV 6230964068 | Spacer | #616 | 2 | 8512536603300 |
| 84 | CV 6231927949 | Spacer | 2196 | 1 | 8512536607600 |
| 85 | CV 6233190341 | Packing | | 1 | 8542237023200 |
| 86 | CV 6233193526 | Caution Label | | 1 | 8546575950500 |
| | CV 6233186900 | Operation Manual | | 1 | 8546460916302 |
| | CV 6233186979 | Installation Instructions | | 1 | 8546436953102 |

NOTE: Metal and plastic parts will be supplied basically with necessary heat insulation pads or packing. Each key number with an asterisk (*) means the recommended service parts.

U-26PS1U6
OUTDOOR UNIT



ATTENTION!

To ensure correct parts supply, please let us know the following,

Part No. when you make service parts order:

1.Part No. 2.Description 3.Q'ty 4.Volts-Hz-Ph 5.Product Mode No.

U-26PS1U6
OUTDOOR UNIT

| KeyNo. | Part No. | Description | Model Number | Q'ty | Reference No. |
|--------|---------------|------------------------|------------------|------|---------------|
| * 1 | CV 6231843171 | Compressor Ass'y(INV) | C-7RVN153H0U | 1 | 8540452530000 |
| 2 | CV 6380126705 | Domed Cap Nuts | | 1 | 3927506010 |
| * 3 | CV 6231811897 | Thermistor(TS) | DTN-C532G3H-TKS2 | 1 | 1FA4V2E030500 |
| 4 | CV 6231485876 | Mounting Thermostat | | 2 | 8522530322401 |
| 5 | CV 6230296497 | Nut Special Ass'y | | 3 | 8510239510201 |
| * 6 | CV 6231915717 | Fan Motor | DAJ12-95B61A-CR | 1 | 1FA4M4A012000 |
| 7 | CV 6233189840 | Accumulator Ass'y | | 1 | 8540451750200 |
| 8 | CV 6231696487 | Mounting Thermostat | | 1 | 8522530324801 |
| * 9 | CV 6231664141 | Thermistor(TD) | DTNC583G3UTKS236 | 1 | 1FA4V2E012000 |
| * 10 | CV 6231811972 | Heat Exch Ass'y | | 1 | 8540412448500 |
| 11 | CV 6231811965 | Valve Ass'y 5/8 in. | | 1 | 8540450628500 |
| 12 | CV 6231811958 | Valve Ass'y 3/8 in. | | 1 | 8540450432300 |
| 13 | CV 6231915755 | Partition Plate Ass'y | | 1 | 85402516321H2 |
| * 14 | CV 6231921909 | Controller Ass'y | CR-CH4872R | 1 | 8549953605286 |
| 15 | CV 6231811927 | Mounting Plate | | 1 | 8542236196301 |
| * 16 | CV 6231811910 | Reactor | R902C2-TB | 1 | 1FA4L5C012000 |
| 17 | CV 6260401007 | Gasket Terminal | | 1 | 8012530314200 |
| 18 | CV 6231407595 | Clip Wire | | 2 | 8522530416700 |
| 19 | CV 6231849555 | Muffler | | 1 | 8542451912800 |
| * 20 | CV 6231715874 | Magnetic Coil(MOV) | UKV-U013E | 1 | 1FA4L8A019700 |
| 21 | CV 6231916035 | Protection Rubber | | 1 | 8542235618300 |
| 22 | CV 6231922074 | Elec. Wiring Diagram | | 1 | 8FA2525772900 |
| * 23 | CV 6233027265 | Terminal Base | HP-T3041-E2C6-L2 | 1 | 1FA4J3A030000 |
| 24 | CV 6231736893 | Propeller Fan Ass'y | | 1 | 8542253910610 |
| * 25 | CV 6231704267 | Solenoid Control Valve | UKV-18D13 | 1 | 8542454815000 |
| * 26 | CV 6231915809 | Reversing Valve | STF-02U2G | 1 | 8542450819000 |
| 27 | CV 6231916004 | Mounting Plate | | 1 | 8542236206801 |
| 28 | CV 6231812047 | Guard | | 1 | 8542111327500 |
| * 29 | CV 6231664233 | Thermistor(TO) | DTNC532G3HTKS238 | 1 | 1FA4V2E011600 |
| * 30 | CV 6231812030 | Thermistor(C2) | PB2M-41E-S1 | 1 | 1FA4V2E030300 |
| * 31 | CV 6231915793 | Thermostat(OLR) | CS-7L110 | 1 | 4233960062 |
| * 32 | CV 6231921916 | P.C.B. Ass'y | HIC-CH2672R | 1 | 8549953605288 |
| 33 | CV 6231915854 | Rear Panel | | 1 | 85421103366H2 |
| 34 | CV 6231915847 | Sheet | | 1 | 1FA4G1A008900 |
| 35 | CV 6231812115 | Knob | | 2 | 85421311131H1 |
| 36 | CV 6231056106 | Cushion Rubber | | 3 | 8512239015600 |
| * 37 | CV 6231915830 | Switch Ass'y(63PH) | ACB-4UB3002W | 1 | 8FA0525703700 |
| 38 | CV 6231812092 | Support valve | | 1 | 8542412932501 |
| 39 | CV 6231915823 | Sheet | | 1 | 1FA4G1A008800 |
| 40 | CV 6231812078 | Mounting Plate Ass'y | | 1 | 8540232368701 |

NOTE: Metal and plastic parts will be supplied basically with necessary heat insulation pads or packing. Each key number with an asterisk (*) means the recommended service parts.

ATTENTION!

To ensure correct parts supply, please let us know the following,

Part No. when you make service parts order:

1.Part No. 2.Description 3.Q'ty 4.Volts-Hz-Ph 5.Product Mode No.

U-26PS1U6
OUTDOOR UNIT

| KeyNo. | Part No. | Description | Model Number | Q'ty | Reference No. | |
|--------|---------------|-----------------------------|-------------------|-------------|---------------|---------------|
| 41 | CV 6231915892 | Front Panel | | 1 | 85421116192H5 | |
| 42 | CV 6230954960 | Washer Special | | 1 | 8542135513300 | |
| 43 | CV 6380194452 | Packing | | 1 | 8542236651900 | |
| 44 | CV 6231915885 | Cooler | | 1 | 8542532519301 | |
| * | 45 | CV 6231921923 | P.C.B. Ass'y | FIL-CH4872R | 1 | 8549953605287 |
| * | 46 | CV 4070037003 | Diode | DBA250G | 1 | DDDBA250G---N |
| 47 | CV 6231812023 | Elec. Component Box | | 1 | 8542530625901 | |
| 48 | CV 6231915861 | Guard | | 1 | 8542111321912 | |
| 49 | CV 6231813044 | Packing | | 1 | 8542236672100 | |
| 50 | CV 6231812214 | Base Ass'y, Fan Motor | | 1 | 8540250721201 | |
| 51 | CV 6231812207 | Support Fan Motor | | 1 | 8542251638501 | |
| 52 | CV 6233135168 | Cover Plate | | 1 | 8542234287423 | |
| 53 | CV 6231812016 | Elec. Component Box Ass'y | | 1 | 8540531101601 | |
| 54 | CV 6231915922 | Front Panel | | 1 | 8542111619112 | |
| 55 | CV 6233135175 | Cover Plate | | 1 | 8542113343223 | |
| 56 | CV 6233189857 | Badge | | 1 | 8542135433500 | |
| 57 | CV 6230529359 | Vibration Insulation | | 3 | 8522247515400 | |
| 58 | CV 6231018968 | Strainer Ass'y | | 1 | 8540452213100 | |
| 59 | CV 6230957985 | Cover Terminal | | 1 | 8012619413400 | |
| 60 | CV 6231250184 | Mounting Thermostat | | 1 | 8522530317700 | |
| 61 | CV 6233189864 | Bottom Plate Ass'y | | 1 | 8540220458803 | |
| 62 | CV 6231915984 | Top Panel | | 1 | 85421112394H3 | |
| 63 | CV 6231812252 | Mounting Plate Ass'y | | 1 | 8540232368601 | |
| 64 | CV 6231915960 | Mounting Plate | | 1 | 8542530922411 | |
| 65 | CV 6231921947 | Packing | | 1 | 8542236671710 | |
| 66 | CV 6231921930 | Packing | | 1 | 8542236672310 | |
| 67 | CV 6231812962 | Packing | | 1 | 8542236671600 | |
| 68 | CV 6231693585 | Sound Insulation Compressor | | 1 | 8542242225800 | |
| * | 69 | CV 6231916011 | Transformer Ass'y | CL-9 | 1 | 8FA0526304400 |
| 70 | CV 6231708364 | Insulation Special | | 1 | 8542241133100 | |
| 71 | CV 6231885447 | Packing | | 2 | 8542236670300 | |
| 72 | CV 6231812221 | Sound Insulation Compressor | | 1 | 8542242235100 | |
| 73 | CV 6231812108 | Sound Insulation Compressor | | 1 | 8542242235000 | |
| 74 | CV 6233162478 | Badge | | 1 | 8542135433001 | |
| 75 | CV 6230971677 | Spacer | SPLSN-6 | 9 | 8512536603800 | |
| 76 | CV 6230964068 | Spacer | #616 | 2 | 8512536603300 | |
| 77 | CV 6231927949 | Spacer | 2196 | 1 | 8512536607600 | |
| 78 | CV 6260400888 | Nut 5mm | | 1 | 8012830510100 | |
| 79 | CV 6233193526 | Caution Label | | 1 | 8546575950500 | |
| | CV 6233186900 | Operation Manual | | 1 | 8546460916302 | |

NOTE: Metal and plastic parts will be supplied basically with necessary heat insulation pads or packing. Each key number with an asterisk (*) means the recommended service parts.

ATTENTION!

To ensure correct parts supply, please let us know the following,

Part No. when you make service parts order:

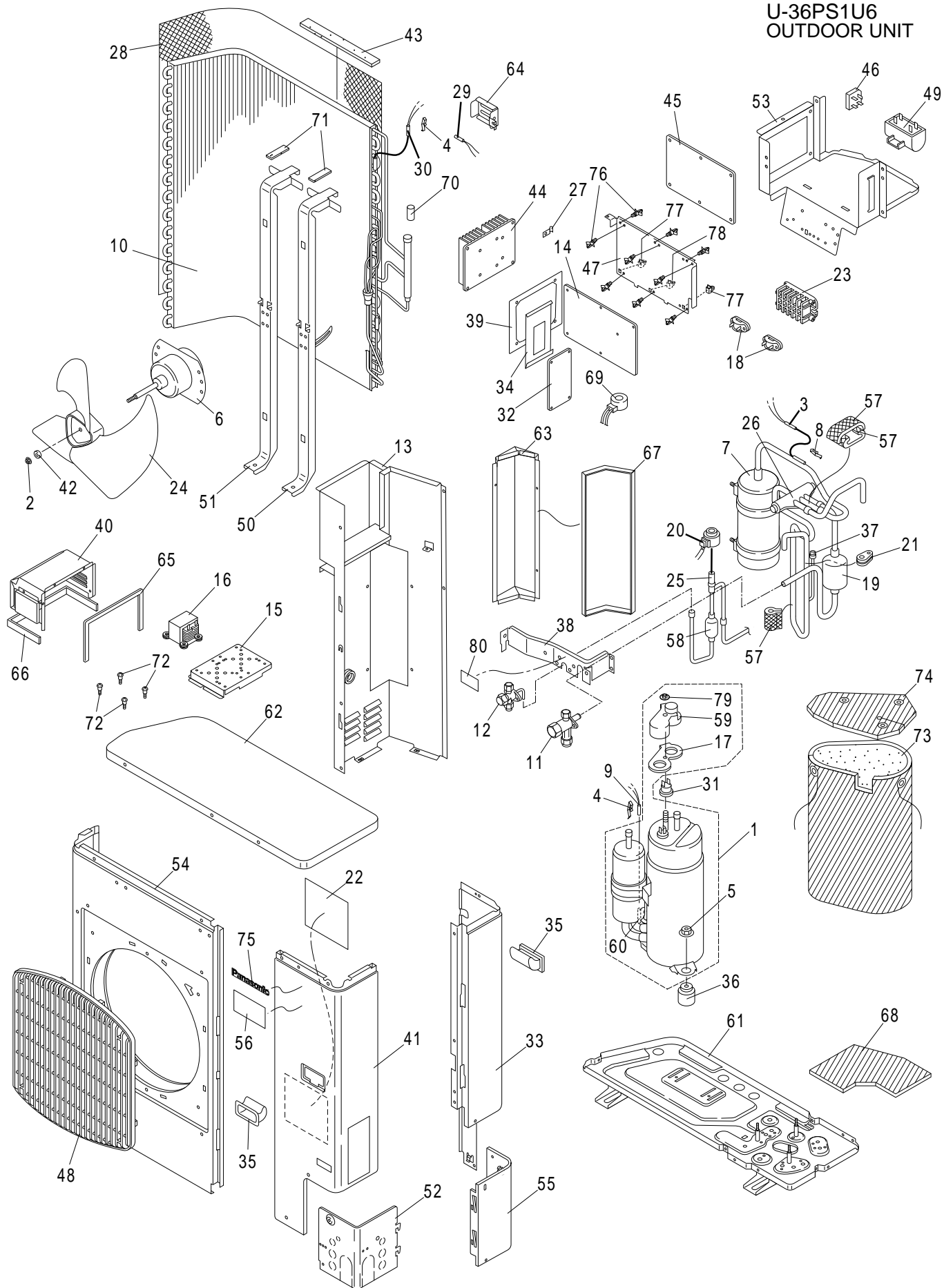
1.Part No. 2.Description 3.Q'ty 4.Volts-Hz-Ph 5.Product Mode No.

U-26PS1U6
OUTDOOR UNIT

| KeyNo. | Part No. | Description | Model Number | Q'ty | Reference No. |
|--------|---------------|---------------------------|--------------|------|---------------|
| | CV 6233186979 | Installation Instructions | | 1 | 8546436953102 |

NOTE: Metal and plastic parts will be supplied basically with necessary heat insulation pads or packing. Each key number with an asterisk (*) means the recommended service parts.

U-36PS1U6
OUTDOOR UNIT



ATTENTION!

To ensure correct parts supply, please let us know the following,

Part No. when you make service parts order:

1.Part No. 2.Description 3.Q'ty 4.Volts-Hz-Ph 5.Product Mode No.

U-36PS1U6
OUTDOOR UNIT

| KeyNo. | Part No. | Description | Model Number | Q'ty | Reference No. |
|--------|---------------|------------------------|------------------|------|---------------|
| * 1 | CV 6231843171 | Compressor Ass'y(INV) | C-7RVN153H0U | 1 | 8540452530000 |
| 2 | CV 6380126705 | Domed Cap Nuts | | 1 | 3927506010 |
| * 3 | CV 6231811897 | Thermistor(TS) | DTN-C532G3H-TKS2 | 1 | 1FA4V2E030500 |
| 4 | CV 6231485876 | Mounting Thermostat | | 2 | 8522530322401 |
| 5 | CV 6230296497 | Nut Special Ass'y | | 3 | 8510239510201 |
| * 6 | CV 6231915717 | Fan Motor | DAJ12-95B61A-CR | 1 | 1FA4M4A012000 |
| 7 | CV 6233189840 | Accumulator Ass'y | | 1 | 8540451750200 |
| 8 | CV 6231696487 | Mounting Thermostat | | 1 | 8522530324801 |
| * 9 | CV 6231664141 | Thermistor(TD) | DTNC583G3UTKS236 | 1 | 1FA4V2E012000 |
| * 10 | CV 6231812283 | Heat Exch Ass'y | | 1 | 8540412449100 |
| 11 | CV 6231811965 | Valve Ass'y 5/8 in. | | 1 | 8540450628500 |
| 12 | CV 6231811958 | Valve Ass'y 3/8 in. | | 1 | 8540450432300 |
| 13 | CV 6231915755 | Partition Plate Ass'y | | 1 | 85402516321H2 |
| * 14 | CV 6231921909 | Controller Ass'y | CR-CH4872R | 1 | 8549953605286 |
| 15 | CV 6231811927 | Mounting Plate | | 1 | 8542236196301 |
| * 16 | CV 6231812269 | Reactor | R502AH14-T23 | 1 | 1FA4L5C011900 |
| 17 | CV 6260401007 | Gasket Terminal | | 1 | 8012530314200 |
| 18 | CV 6231407595 | Clip Wire | | 2 | 8522530416700 |
| 19 | CV 6231849555 | Muffler | | 1 | 8542451912800 |
| * 20 | CV 6231715874 | Magnetic Coil(MOV) | UKV-U013E | 1 | 1FA4L8A019700 |
| 21 | CV 6231916035 | Protection Rubber | | 1 | 8542235618300 |
| 22 | CV 6231922081 | Elec. Wiring Diagram | | 1 | 8FA2525773000 |
| * 23 | CV 6233027265 | Terminal Base | HP-T3041-E2C6-L2 | 1 | 1FA4J3A030000 |
| 24 | CV 6231736893 | Propeller Fan Ass'y | | 1 | 8542253910610 |
| * 25 | CV 6231704267 | Solenoid Control Valve | UKV-18D13 | 1 | 8542454815000 |
| * 26 | CV 6231915809 | Reversing Valve | STF-02U2G | 1 | 8542450819000 |
| 27 | CV 6231916004 | Mounting Plate | | 1 | 8542236206801 |
| 28 | CV 6231812047 | Guard | | 1 | 8542111327500 |
| * 29 | CV 6231664233 | Thermistor(TO) | DTNC532G3HTKS238 | 1 | 1FA4V2E011600 |
| * 30 | CV 6231812030 | Thermistor(C2) | PB2M-41E-S1 | 1 | 1FA4V2E030300 |
| * 31 | CV 6231915793 | Thermostat(OLR) | CS-7L110 | 1 | 4233960062 |
| * 32 | CV 6231921916 | P.C.B. Ass'y | HIC-CH2672R | 1 | 8549953605288 |
| 33 | CV 6231915854 | Rear Panel | | 1 | 85421103366H2 |
| 34 | CV 6231915847 | Sheet | | 1 | 1FA4G1A008900 |
| 35 | CV 6231812115 | Knob | | 2 | 85421311131H1 |
| 36 | CV 6231056106 | Cushion Rubber | | 3 | 8512239015600 |
| * 37 | CV 6231915830 | Switch Ass'y(63PH) | ACB-4UB3002W | 1 | 8FA0525703700 |
| 38 | CV 6231812092 | Support valve | | 1 | 8542412932501 |
| 39 | CV 6231915823 | Sheet | | 1 | 1FA4G1A008800 |
| 40 | CV 6231812078 | Mounting Plate Ass'y | | 1 | 8540232368701 |

NOTE: Metal and plastic parts will be supplied basically with necessary heat insulation pads or packing. Each key number with an asterisk (*) means the recommended service parts.

ATTENTION!

To ensure correct parts supply, please let us know the following,

Part No. when you make service parts order:

1.Part No. 2.Description 3.Q'ty 4.Volts-Hz-Ph 5.Product Mode No.

U-36PS1U6
OUTDOOR UNIT

| KeyNo. | Part No. | Description | Model Number | Q'ty | Reference No. | |
|--------|---------------|-----------------------------|-------------------|----------------|---------------|---------------|
| 41 | CV 6231915892 | Front Panel | | 1 | 85421116192H5 | |
| 42 | CV 6230954960 | Washer Special | | 1 | 8542135513300 | |
| 43 | CV 6380194452 | Packing | | 1 | 8542236651900 | |
| 44 | CV 6231915885 | Cooler | | 1 | 8542532519301 | |
| * | 45 | CV 6231921923 | P.C.B. Ass'y | FIL-CH4872R | 1 | 8549953605287 |
| * | 46 | CV 4070037003 | Diode | DBA250G | 1 | DDDBA250G---N |
| 47 | CV 6231812023 | Elec. Component Box | | 1 | 8542530625901 | |
| 48 | CV 6231915861 | Guard | | 1 | 8542111321912 | |
| * | 49 | CV 6231812320 | Fixed Capacitor | RU23B406R2396X | 1 | 1FA4C1A009200 |
| 50 | CV 6231812313 | Base Ass'y, Fan Motor | | 1 | 8540250721301 | |
| 51 | CV 6231812306 | Support Fan Motor | | 1 | 8542251638601 | |
| 52 | CV 6233135168 | Cover Plate | | 1 | 8542234287423 | |
| 53 | CV 6231812016 | Elec. Component Box Ass'y | | 1 | 8540531101601 | |
| 54 | CV 6231915922 | Front Panel | | 1 | 8542111619112 | |
| 55 | CV 6233135175 | Cover Plate | | 1 | 8542113343223 | |
| 56 | CV 6233189857 | Badge | | 1 | 8542135433500 | |
| 57 | CV 6230529359 | Vibration Insulation | | 3 | 8522247515400 | |
| 58 | CV 6231018968 | Strainer Ass'y | | 1 | 8540452213100 | |
| 59 | CV 6230957985 | Cover Terminal | | 1 | 8012619413400 | |
| 60 | CV 6231250184 | Mounting Thermostat | | 1 | 8522530317700 | |
| 61 | CV 6233189864 | Bottom Plate Ass'y | | 1 | 8540220458803 | |
| 62 | CV 6231915984 | Top Panel | | 1 | 85421112394H3 | |
| 63 | CV 6231812252 | Mounting Plate Ass'y | | 1 | 8540232368601 | |
| 64 | CV 6231915960 | Mounting Plate | | 1 | 8542530922411 | |
| 65 | CV 6231921947 | Packing | | 1 | 8542236671710 | |
| 66 | CV 6231921930 | Packing | | 1 | 8542236672310 | |
| 67 | CV 6231812962 | Packing | | 1 | 8542236671600 | |
| 68 | CV 6231693585 | Sound Insulation Compressor | | 1 | 8542242225800 | |
| * | 69 | CV 6231916011 | Transformer Ass'y | CL-9 | 1 | 8FA0526304400 |
| 70 | CV 6231708364 | Insulation Special | | 1 | 8542241133100 | |
| 71 | CV 6231885447 | Packing | | 2 | 8542236670300 | |
| 72 | CV 6231638074 | Screw Special | | 4 | 8522239615401 | |
| 73 | CV 6231812221 | Sound Insulation Compressor | | 1 | 8542242235100 | |
| 74 | CV 6231812108 | Sound Insulation Compressor | | 1 | 8542242235000 | |
| 75 | CV 6233162478 | Badge | | 1 | 8542135433001 | |
| 76 | CV 6230971677 | Spacer | SPLSN-6 | 9 | 8512536603800 | |
| 77 | CV 6230964068 | Spacer | #616 | 2 | 8512536603300 | |
| 78 | CV 6231927949 | Spacer | 2196 | 1 | 8512536607600 | |
| 79 | CV 6260400888 | Nut 5mm | | 1 | 8012830510100 | |
| 80 | CV 6233193526 | Caution Label | | 1 | 8546575950500 | |

NOTE: Metal and plastic parts will be supplied basically with necessary heat insulation pads or packing. Each key number with an asterisk (*) means the recommended service parts.

ATTENTION!

To ensure correct parts supply, please let us know the following,

Part No. when you make service parts order:

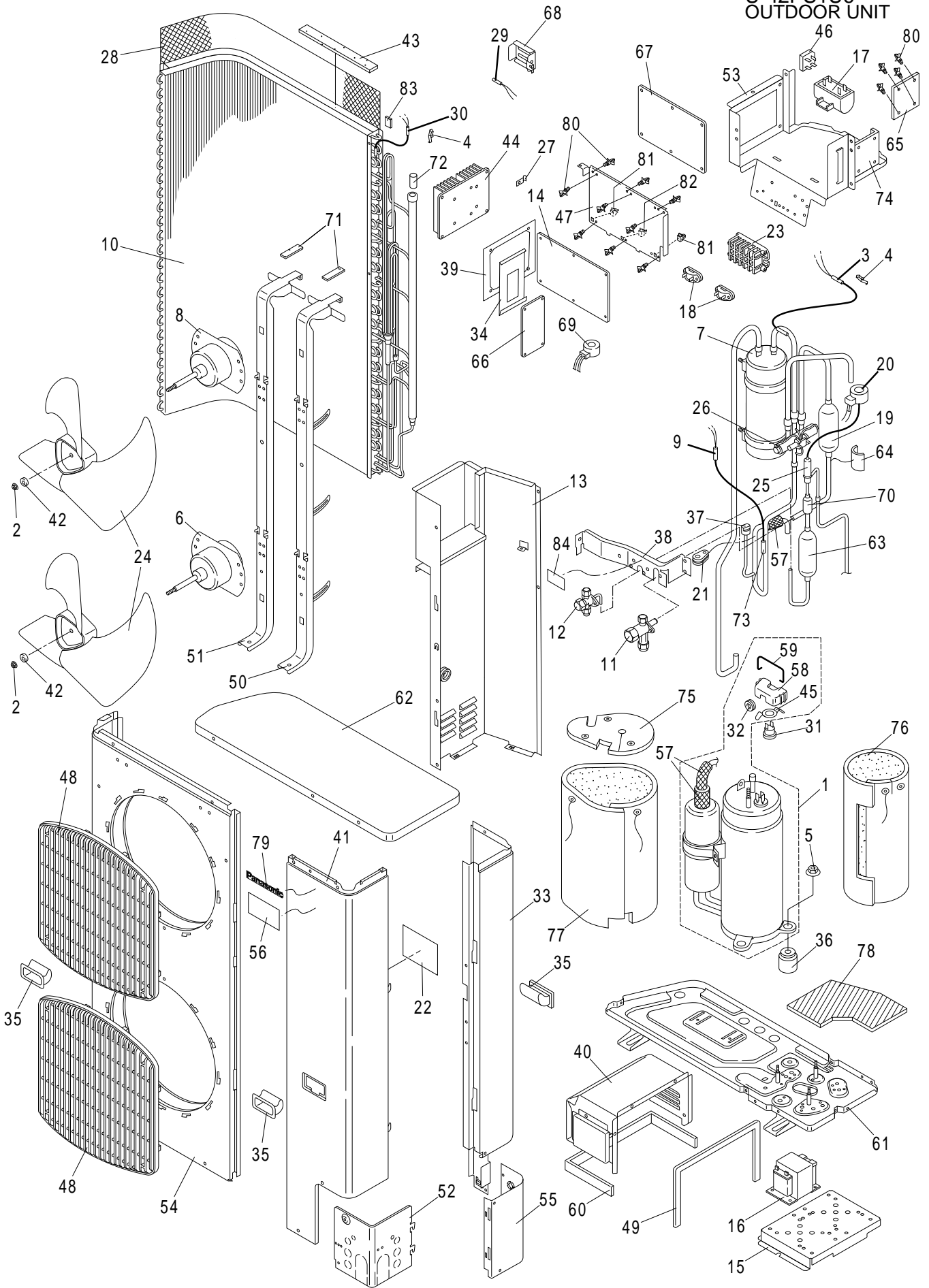
1.Part No. 2.Description 3.Q'ty 4.Volts-Hz-Ph 5.Product Mode No.

U-36PS1U6
OUTDOOR UNIT

| KeyNo. | Part No. | Description | Model Number | Q'ty | Reference No. |
|--------|---------------|---------------------------|--------------|------|---------------|
| | CV 6233186900 | Operation Manual | | 1 | 8546460916302 |
| | CV 6233186979 | Installation Instructions | | 1 | 8546436953102 |

NOTE: Metal and plastic parts will be supplied basically with necessary heat insulation pads or packing. Each key number with an asterisk (*) means the recommended service parts.

**U-42PS1U6
OUTDOOR UNIT**



ATTENTION!

To ensure correct parts supply, please let us know the following,

Part No. when you make service parts order:

1.Part No. 2.Description 3.Q'ty 4.Volts-Hz-Ph 5.Product Mode No.

U-42PS1U6
OUTDOOR UNIT

| KeyNo. | Part No. | Description | Model Number | Q'ty | Reference No. |
|--------|---------------|-------------------------|------------------|------|---------------|
| * 1 | CV 6231843188 | Compressor Ass'y(INV) | C-9RVN273H0W | 1 | 8540452530100 |
| 2 | CV 6380126705 | Domed Cap Nuts | | 2 | 3927506010 |
| * 3 | CV 6231664158 | Thermistor(TS) | | 1 | 1FA4V2E011900 |
| 4 | CV 6231485876 | Mounting Thermostat | | 2 | 8522530322401 |
| 5 | CV 6230296497 | Nut Special Ass'y | | 3 | 8510239510201 |
| * 6 | CV 6231915717 | Fan Motor | DAJ12-95B61A-CR | 1 | 1FA4M4A012000 |
| 7 | CV 6233113593 | Accumulator Ass'y | | 1 | 8540451753101 |
| * 8 | CV 6231916073 | Fan Motor | DAJ12-95B61B-CR | 1 | 1FA4M4A012100 |
| * 9 | CV 6231664141 | Thermistor(TD) | DTNC583G3UTKS236 | 1 | 1FA4V2E012000 |
| * 10 | CV 6231812382 | Heat Exch Ass'y | | 1 | 8540412449200 |
| 11 | CV 6231811965 | Valve Ass'y 5/8 in. | | 1 | 8540450628500 |
| 12 | CV 6231811958 | Valve Ass'y 3/8 in. | | 1 | 8540450432300 |
| 13 | CV 6231916080 | Partition Plate Ass'y | | 1 | 85402516322H2 |
| * 14 | CV 6231921909 | Controller Ass'y | CR-CH4872R | 1 | 8549953605286 |
| 15 | CV 6231811927 | Mounting Plate | | 1 | 8542236196301 |
| * 16 | CV 6231709729 | Reactor | R202AB | 1 | 1FA4L5C004600 |
| * 17 | CV 6231527347 | Fixed Capacitor | RU23B606R2398X | 1 | 1FA4C1A009400 |
| 18 | CV 6231407595 | Clip Wire | | 2 | 8522530416700 |
| 19 | CV 6231849579 | Muffler | | 1 | 8542451918400 |
| * 20 | CV 6231715874 | Magnetic Coil(MOV) | UKV-U013E | 1 | 1FA4L8A019700 |
| 21 | CV 6231916196 | Protection Rubber | | 1 | 8542235618400 |
| 22 | CV 6231922098 | Elec. Wiring Diagram | | 1 | 8FA2525773100 |
| * 23 | CV 6233027265 | Terminal Base | HP-T3041-E2C6-L2 | 1 | 1FA4J3A030000 |
| 24 | CV 6231736893 | Propeller Fan Ass'y | | 2 | 8542253910610 |
| * 25 | CV 6231704144 | Solenoid Control Valve | UKV-25D | 1 | 8542454814900 |
| * 26 | CV 6231916103 | Reversing Valve | STF-04U1G | 1 | 8542450819100 |
| 27 | CV 6231916004 | Mounting Plate | | 1 | 8542236206801 |
| 28 | CV 6231104517 | Guard | | 1 | 8542111316700 |
| * 29 | CV 6231664233 | Thermistor(TO) | DTNC532G3HTKS238 | 1 | 1FA4V2E011600 |
| * 30 | CV 6231664165 | Thermistor(C2) | DTNC532G3HTKS233 | 1 | 1FA4V2E011800 |
| * 31 | CV 6231915793 | Thermostat(OLR) | CS-7L110 | 1 | 4233960062 |
| 32 | CV 6231695190 | Eyelet Rubber Lead Wire | | 1 | 8012530412600 |
| 33 | CV 6231916110 | Rear Panel | | 1 | 85421103367H2 |
| 34 | CV 6231915847 | Sheet | | 1 | 1FA4G1A008900 |
| 35 | CV 6231812115 | Knob | | 3 | 85421311131H1 |
| 36 | CV 6231450577 | Cushion Rubber | | 3 | 8192692010700 |
| * 37 | CV 6231915830 | Switch Ass'y(63PH) | ACB-4UB3002W | 1 | 8FA0525703700 |
| 38 | CV 6231812092 | Support valve | | 1 | 8542412932501 |
| 39 | CV 6231915823 | Sheet | | 1 | 1FA4G1A008800 |
| 40 | CV 6231812078 | Mounting Plate Ass'y | | 1 | 8540232368701 |

NOTE: Metal and plastic parts will be supplied basically with necessary heat insulation pads or packing. Each key number with an asterisk (*) means the recommended service parts.

ATTENTION!

To ensure correct parts supply, please let us know the following,

Part No. when you make service parts order:

1.Part No. 2.Description 3.Q'ty 4.Volts-Hz-Ph 5.Product Mode No.

U-42PS1U6
OUTDOOR UNIT

| KeyNo. | Part No. | Description | Model Number | Q'ty | Reference No. | |
|--------|---------------|-----------------------------|-------------------|-------------|---------------|---------------|
| 41 | CV 6233190310 | Front Panel | | 1 | 85421116278H4 | |
| 42 | CV 6230954960 | Washer Special | | 2 | 8542135513300 | |
| 43 | CV 6380194452 | Packing | | 1 | 8542236651900 | |
| 44 | CV 6231915885 | Cooler | | 1 | 8542532519301 | |
| 45 | CV 6260400222 | Plate Protector | | 1 | 8012530212500 | |
| * | 46 | CV 4070037003 | Diode | DBA250G | 1 | DDDBA250G---N |
| 47 | CV 6231812023 | Elec. Component Box | | 1 | 8542530625901 | |
| 48 | CV 6231915861 | Guard | | 2 | 8542111321912 | |
| 49 | CV 6231921947 | Packing | | 1 | 8542236671710 | |
| 50 | CV 6231812498 | Base Ass'y, Fan Motor | | 1 | 8540250721401 | |
| 51 | CV 6231812481 | Support Fan Motor | | 1 | 8542251632501 | |
| 52 | CV 6233135168 | Cover Plate | | 1 | 8542234287423 | |
| 53 | CV 6231812016 | Elec Component Box Ass'y | | 1 | 8540531101601 | |
| 54 | CV 6233190327 | Front Panel | | 1 | 8542110199713 | |
| 55 | CV 6233135175 | Cover Plate | | 1 | 8542113343223 | |
| 56 | CV 6233189857 | Badge | | 1 | 8542135433500 | |
| 57 | CV 6230529359 | Vibration Insulation | | 3 | 8522247515400 | |
| 58 | CV 6260400826 | Cap Terminal Cover | | 1 | 8012619510700 | |
| 59 | CV 6260400512 | Clip | | 1 | 8012534010500 | |
| 60 | CV 6231921930 | Packing | | 1 | 8542236672310 | |
| 61 | CV 6233190334 | Bottom Plate Ass'y | | 1 | 8540220458903 | |
| 62 | CV 6231915984 | Top Panel | | 1 | 85421112394H3 | |
| 63 | CV 6231812511 | Muffler | | 1 | 8542451918200 | |
| 64 | CV 6380055487 | Mounting Rubber, Tube | | 1 | 8542431526800 | |
| * | 65 | CV 6231921961 | P.C.B. Ass'y | CR-FAN4872R | 1 | 8549953605290 |
| * | 66 | CV 6231921954 | P.C.B. Ass'y | HIC-CH4872R | 1 | 8549953605289 |
| * | 67 | CV 6231921923 | P.C.B. Ass'y | FIL-CH4872R | 1 | 8549953605287 |
| 68 | CV 6231915960 | Mounting Plate | | 1 | 8542530922411 | |
| * | 69 | CV 6231916011 | Transformer Ass'y | CL-9 | 1 | 8FA0526304400 |
| 70 | CV 6231018968 | Strainer Ass'y | | 1 | 8540452213100 | |
| 71 | CV 6231885447 | Packing | | 2 | 8542236670300 | |
| 72 | CV 6231708364 | Insulation Special | | 1 | 8542241133100 | |
| 73 | CV 6231250184 | Mounting Thermostat | | 1 | 8522530317700 | |
| 74 | CV 6231812412 | Elec. Component Box | | 1 | 8542530626001 | |
| 75 | CV 6231812436 | Sound Insulation Compressor | | 1 | 8542242235700 | |
| 76 | CV 6231812528 | Sound Insulation Compressor | | 1 | 8542242235800 | |
| 77 | CV 6231812504 | Sound Insulation Compressor | | 1 | 8542242235900 | |
| 78 | CV 6231695213 | Sound Insulation Compressor | | 1 | 8542242226500 | |
| 79 | CV 6233162478 | Badge | | 1 | 8542135433001 | |
| 80 | CV 6230971677 | Spacer | SPLSN-6 | 13 | 8512536603800 | |

NOTE: Metal and plastic parts will be supplied basically with necessary heat insulation pads or packing. Each key number with an asterisk (*) means the recommended service parts.

ATTENTION!

To ensure correct parts supply, please let us know the following,

Part No. when you make service parts order:

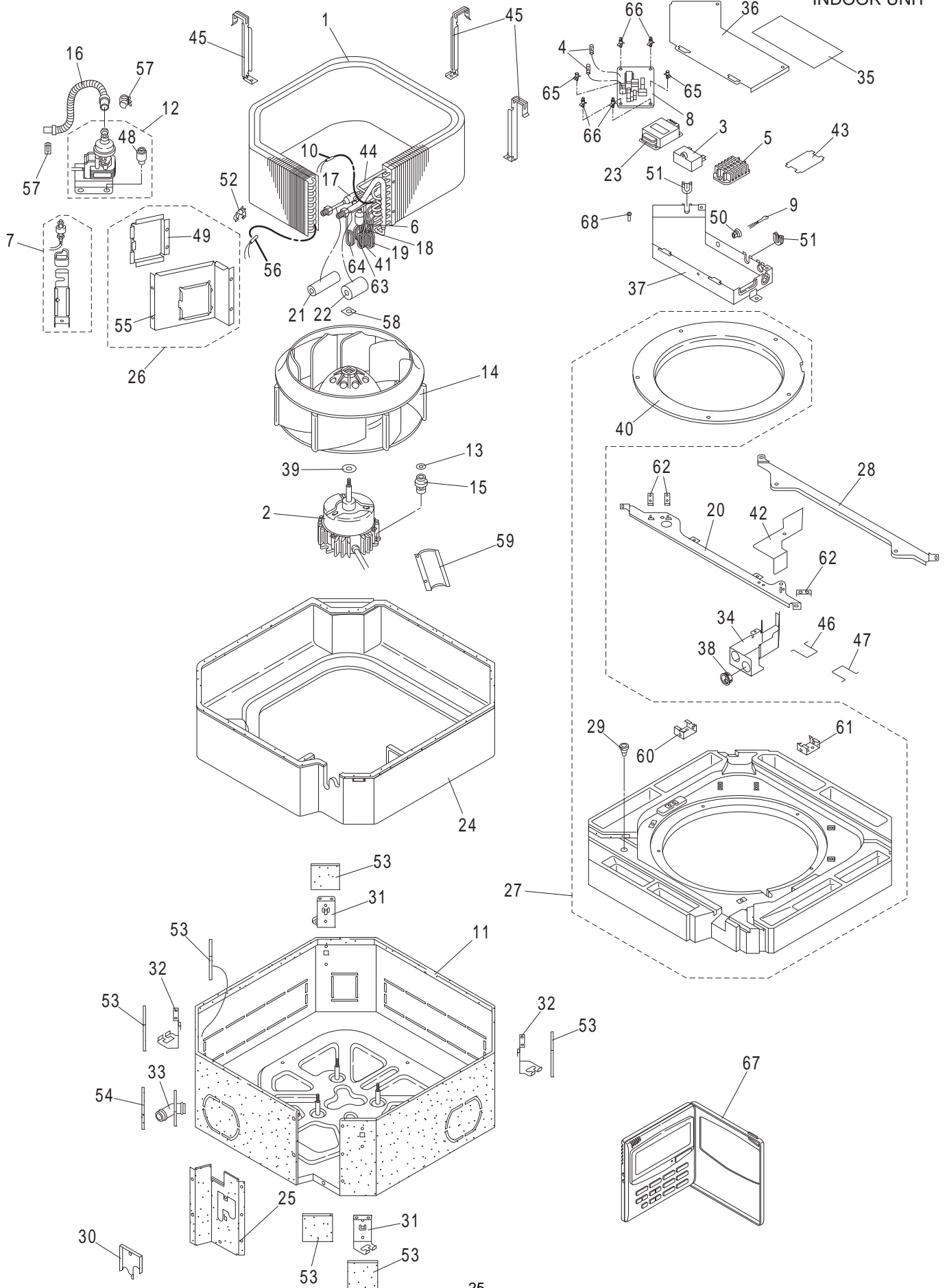
U-42PS1U6
OUTDOOR UNIT

1.Part No. 2.Description 3.Q'ty 4.Volts-Hz-Ph 5.Product Mode No.

| KeyNo. | Part No. | Description | Model Number | Q'ty | Reference No. |
|--------|---------------|---------------------------|--------------|------|---------------|
| 81 | CV 6230964068 | Spacer | #616 | 2 | 8512536603300 |
| 82 | CV 6231927949 | Spacer | 2196 | 1 | 8512536607600 |
| 83 | CV 6233190341 | Packing | | 1 | 8542237023200 |
| 84 | CV 6233193526 | Caution Label | | 1 | 8546575950500 |
| | CV 6233186900 | Operation Manual | | 1 | 8546460916302 |
| | CV 6233186979 | Installation Instructions | | 1 | 8546436953102 |

NOTE: Metal and plastic parts will be supplied basically with necessary heat insulation pads or packing. Each key number with an asterisk (*) means the recommended service parts.

S-26PU1U6
INDOOR UNIT



ATTENTION!

To ensure correct parts supply, please let us know the following,

Part No. when you make service parts order:

1.Part No. 2.Description 3.Q'ty 4.Volts-Hz-Ph 5.Product Mode No.

S-26PU1U6
INDOOR UNIT

| KeyNo. | Part No. | Description | Model Number | Q'ty | Reference No. |
|--------|---------------|---------------------------|-----------------------|------|---------------|
| * 1 | CV 6233010830 | Heat Exch Ass'y | | 1 | 8540412458300 |
| * 2 | CV 6233196534 | Fan Motor Ass'y | SFG6X-41D6P | 1 | 8FA0520219300 |
| * 3 | CV 6231191050 | Fixed Capacitor | UP44B455J0300D | 1 | 4223956862 |
| * 4 | CV 6231916783 | Fuse | MT3 5A | 2 | 1FJ4S3A003900 |
| * 5 | CV 6233196527 | Terminal Base | UKT50-3+15S-2J-SA4117 | 1 | 1FA4J3A048900 |
| * 6 | CV 6231656726 | Capillary Tube | | 1 | 8542423717100 |
| * 7 | CV 6233196510 | Switch Ass'y | FS-0218-102 | 1 | 8FA0515209000 |
| * 8 | CV 6233196503 | Circuit Board Ass'y | CR-26PU1U6-P | 1 | 8549953605983 |
| * 9 | CV 6233197296 | Thermistor Ass'y | KTEC-35-S6 | 1 | 8FA0525963900 |
| * 10 | CV 6233196558 | Thermistor Ass'y(E1) | PBC-41E-S14 | 1 | 8FA0525961900 |
| 11 | CV 6231592888 | Cabinet Ass'y | | 1 | 8540110432900 |
| * 12 | CV 6233196541 | Motor Pump Ass'y | PLD-12230ST-6 | 1 | 8FA0526415200 |
| 13 | CV 6230936508 | Washer | | 3 | 3902103100 |
| * 14 | CV 6380082971 | Fan Ass'y | | 1 | 8540250121610 |
| 15 | CV 6380197651 | Cushion Rubber | | 3 | 8542253417800 |
| 16 | CV 6380197668 | Drain Hose | | 1 | 8542429714700 |
| 17 | CV 6230709300 | Strainer Ass'y | | 1 | 8540452210400 |
| * 18 | CV 6231656757 | Capillary Tube | | 1 | 8542423717200 |
| * 19 | CV 6231656740 | Capillary Tube | | 1 | 8542423717300 |
| 20 | CV 6231916837 | Mounting Plate, Drain Pan | | 1 | 85422333221H2 |
| 21 | CV 6231608206 | Insulation Special | | 1 | 8542241124110 |
| 22 | CV 6231608213 | Insulation Special | | 1 | 8542241124020 |
| * 23 | CV 6231916820 | Transformer Ass'y | ATR-IIK224A | 1 | 8540526319000 |
| 24 | CV 6231916813 | Cover Ass'y, Evaporator | | 1 | 85402317169H2 |
| 25 | CV 6231916875 | Cabinet Plate | | 1 | 85421105298H2 |
| 26 | CV 6231916868 | Mounting Plate | | 1 | 85424134664H1 |
| * 27 | CV 6231916851 | Drain Pan Ass'y | | 1 | 85402301515H2 |
| 28 | CV 6380197712 | Mounting Plate, Drain Pan | | 1 | 8542233322001 |
| 29 | CV 6231019132 | Cap Rubber | | 1 | 8542410910200 |
| 30 | CV 6231916844 | Mounting Plate | | 1 | 85422361512H2 |
| 31 | CV 6380197736 | Mounting Parts Ass'y | | 2 | 8540111120301 |
| 32 | CV 6380197743 | Mounting Parts Ass'y | | 2 | 8540111120401 |
| 33 | CV 6380148165 | Joint Drain | | 1 | 8542233417310 |
| 34 | CV 6231608336 | Support Wire | | 1 | 8542531911101 |
| 35 | CV 6233196565 | Elec. Wiring Diagram | | 1 | 8FA2525103700 |
| 36 | CV 6380197767 | Cover,Elec.Component Box | | 1 | 8542530450801 |
| 37 | CV 6231608138 | Elec Component Box Ass'y | | 1 | 8540530180300 |
| 38 | CV 6230383425 | Bushing | OCB-875 | 1 | 8512537000900 |
| 39 | CV 6231263856 | Washer Special | | 1 | 8542135515201 |
| 40 | CV 6231608145 | Nozzle | | 1 | 8542251914310 |

NOTE: Metal and plastic parts will be supplied basically with necessary heat insulation pads or packing. Each key number with an asterisk (*) means the recommended service parts.

ATTENTION!

To ensure correct parts supply, please let us know the following,

Part No. when you make service parts order:

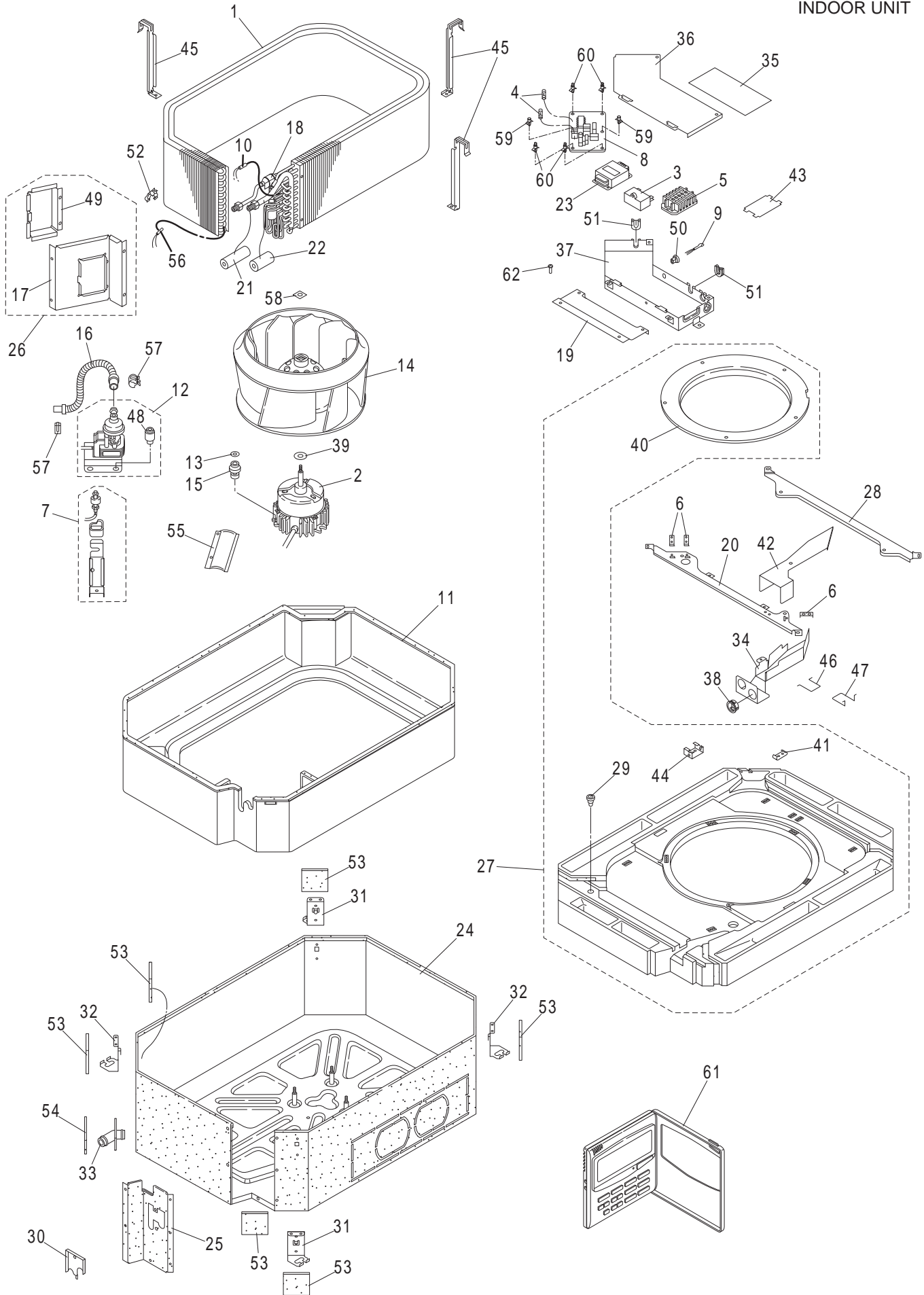
1.Part No. 2.Description 3.Q'ty 4.Volts-Hz-Ph 5.Product Mode No.

S-26PU1U6
INDOOR UNIT

| KeyNo. | Part No. | Description | Model Number | Q'ty | Reference No. |
|--------|---------------|---------------------------|----------------|------|---------------|
| * 41 | CV 6231656764 | Capillary Tube | | 1 | 8542423717400 |
| 42 | CV 6231608343 | Cover Terminal | | 1 | 8542530515001 |
| 43 | CV 6231847209 | Cover | UKT50-3+15S-2D | 1 | 8542537600800 |
| * 44 | CV 6231656795 | Capillary Tube | | 1 | 8542423717700 |
| 45 | CV 6380197842 | Support, Evaporator | | 3 | 8542223223400 |
| 46 | CV 6380197859 | Guide | | 1 | 8542235215600 |
| 47 | CV 6380197866 | Guide | | 1 | 8542235215700 |
| 48 | CV 6380049523 | Cushion Rubber | | 3 | 8542231813800 |
| 49 | CV 6380197873 | Cover Plate | | 1 | 8542234270000 |
| 50 | CV 6230274990 | Bushing | | 1 | 8002533717900 |
| 51 | CV 6230162938 | Eyelet | | 2 | 7332442512200 |
| 52 | CV 6380065462 | Mounting Plate | | 1 | 8542414010201 |
| 53 | CV 6231608237 | Packing | | 6 | 8542136179110 |
| 54 | CV 6231608244 | Packing | | 1 | 8542136180610 |
| 55 | CV 6380197989 | Mounting Plate | | 1 | 8542413466400 |
| * 56 | CV 6233196572 | Thermistor Ass'y(E2) | PB3M-41E-S4 | 1 | 8FA0525961000 |
| 57 | CV 6230772205 | Clip | | 2 | 8542231510301 |
| 58 | CV 6231262866 | Square Washer | | 1 | 8542232810401 |
| 59 | CV 6380197934 | Cover Plate | | 1 | 8542234269300 |
| 60 | CV 6380197941 | Mounting Plate | | 1 | 8542236151001 |
| 61 | CV 6380197958 | Mounting Plate | | 1 | 8542236151101 |
| 62 | CV 6380197965 | Mounting Plate | | 3 | 8542236158301 |
| * 63 | CV 6231656771 | Capillary Tube | | 1 | 8542423717600 |
| * 64 | CV 6231656788 | Capillary Tube | | 1 | 8542423717500 |
| 65 | CV 6230996052 | Spacer | SPSN-6 | 2 | 8512536604200 |
| 66 | CV 6230971677 | Spacer | SPLSN-6 | 4 | 8512536603800 |
| * 67 | CV 6233196596 | Remote Control Switch | CZ-RTC2 | 1 | 8FA0005115200 |
| 68 | CV 6230516977 | Screw Special | | 1 | 8522239610103 |
| | CV 6233196589 | Operation Manual | | 1 | 8546460907302 |
| | CV 6233186962 | Installation Instructions | | 1 | 8546436953201 |

NOTE: Metal and plastic parts will be supplied basically with necessary heat insulation pads or packing. Each key number with an asterisk (*) means the recommended service parts.

S-36PU1U6
INDOOR UNIT



ATTENTION!

To ensure correct parts supply, please let us know the following,

Part No. when you make service parts order:

1.Part No. 2.Description 3.Q'ty 4.Volts-Hz-Ph 5.Product Mode No.

S-36PU1U6
INDOOR UNIT

| KeyNo. | Part No. | Description | Model Number | Q'ty | Reference No. |
|--------|---------------|---------------------------|-----------------------|------|---------------|
| * 1 | CV 6233010854 | Heat Exch Ass'y | | 1 | 8540412458400 |
| * 2 | CV 6233196602 | Fan Motor Ass'y | SFG6X-81A6P | 1 | 8FA0520219400 |
| * 3 | CV 6231159661 | Fixed Capacitor | UP44B605J0313D | 1 | 4223956679 |
| * 4 | CV 6231916783 | Fuse | MT3 5A | 2 | 1FJ4S3A003900 |
| * 5 | CV 6233196527 | Terminal Base | UKT50-3+15S-2J-SA4117 | 1 | 1FA4J3A048900 |
| 6 | CV 6380197965 | Mounting Plate | | 3 | 8542236158301 |
| * 7 | CV 6233196510 | Switch Ass'y | FS-0218-102 | 1 | 8FA0515209000 |
| * 8 | CV 6233196503 | Circuit Board Ass'y | CR-26PU1U6-P | 1 | 8549953605983 |
| * 9 | CV 6233197296 | Thermistor Ass'y | KTEC-35-S6 | 1 | 8FA0525963900 |
| * 10 | CV 6233196619 | Thermistor Ass'y(E1) | PBC-41E-S14 | 1 | 8FA0525961500 |
| 11 | CV 6231592710 | Cabinet Ass'y | | 1 | 8540110433000 |
| * 12 | CV 6233196541 | Motor Pump Ass'y | PLD-12230ST-6 | 1 | 8FA0526415200 |
| 13 | CV 6230936508 | Washer | | 3 | 3902103100 |
| * 14 | CV 6380200320 | Fan Ass'y | | 1 | 8540250124300 |
| 15 | CV 6380197651 | Cushion Rubber | | 3 | 8542253417800 |
| 16 | CV 6380197668 | Drain Hose | | 1 | 8542429714700 |
| 17 | CV 6380200405 | Mounting Plate | | 1 | 8542413466500 |
| 18 | CV 6230709300 | Strainer Ass'y | | 1 | 8540452210400 |
| 19 | CV 6380200436 | Mounting Plate | | 1 | 8542236151401 |
| 20 | CV 6231916837 | Mounting Plate, Drain Pan | | 1 | 85422333221H2 |
| 21 | CV 6231608206 | Insulation Special | | 1 | 8542241124110 |
| 22 | CV 6231608213 | Insulation Special | | 1 | 8542241124020 |
| * 23 | CV 6231916820 | Transformer Ass'y | ATR-IIK224A | 1 | 8540526319000 |
| 24 | CV 6231916899 | Cover Ass'y, Evaporator | | 1 | 85402317170H2 |
| 25 | CV 6231916912 | Cabinet Plate | | 1 | 85421105299H2 |
| 26 | CV 6231907040 | Mounting Plate | | 1 | 85424134665H1 |
| * 27 | CV 6231916905 | Drain Pan Ass'y | | 1 | 85402301516H2 |
| 28 | CV 6380197712 | Mounting Plate, Drain Pan | | 1 | 8542233322001 |
| 29 | CV 6231019132 | Cap Rubber | | 1 | 8542410910200 |
| 30 | CV 6231916844 | Mounting Plate | | 1 | 85422361512H2 |
| 31 | CV 6380197736 | Mounting Parts Ass'y | | 2 | 8540111120301 |
| 32 | CV 6380197743 | Mounting Parts Ass'y | | 2 | 8540111120401 |
| 33 | CV 6380148165 | Joint Drain | | 1 | 8542233417310 |
| 34 | CV 6231608473 | Support Wire | | 1 | 8542531911201 |
| 35 | CV 6233196565 | Elec. Wiring Diagram | | 1 | 8FA2525103700 |
| 36 | CV 6380197767 | Cover,Elec.Component Box | | 1 | 8542530450801 |
| 37 | CV 6231608138 | Elec Component Box Ass'y | | 1 | 8540530180300 |
| 38 | CV 6230383425 | Bushing | OCB-875 | 1 | 8512537000900 |
| 39 | CV 6231263856 | Washer Special | | 1 | 8542135515201 |
| 40 | CV 6231608145 | Nozzle | | 1 | 8542251914310 |

NOTE: Metal and plastic parts will be supplied basically with necessary heat insulation pads or packing. Each key number with an asterisk (*) means the recommended service parts.

ATTENTION!

To ensure correct parts supply, please let us know the following,

Part No. when you make service parts order:

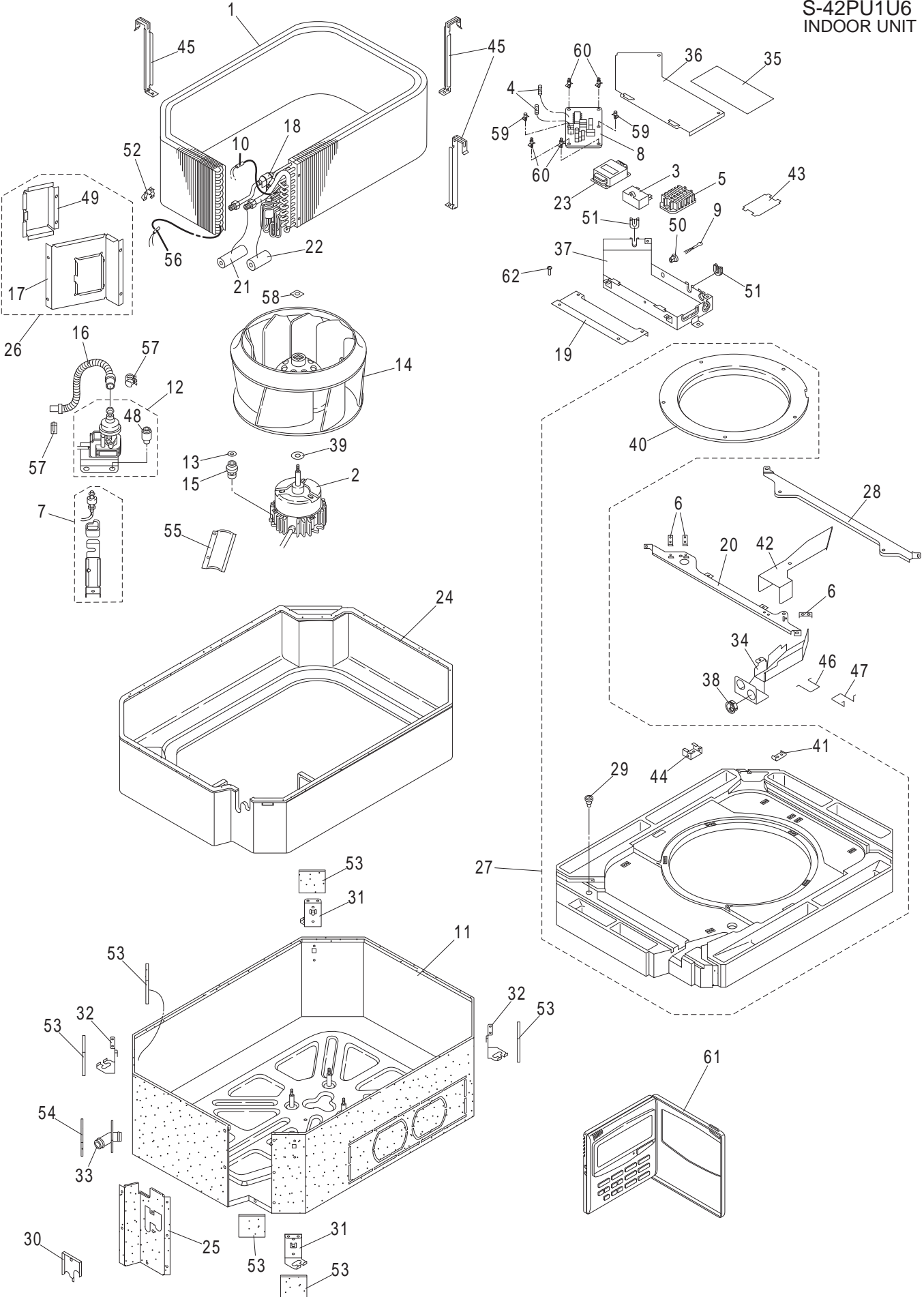
1.Part No. 2.Description 3.Q'ty 4.Volts-Hz-Ph 5.Product Mode No.

S-36PU1U6
INDOOR UNIT

| KeyNo. | Part No. | Description | Model Number | Q'ty | Reference No. | |
|--------|---------------|---------------------|---------------------------|-------------|---------------|---------------|
| 41 | CV 6380197958 | Mounting Plate | | 1 | 8542236151101 | |
| 42 | CV 6231608480 | Cover Terminal | | 1 | 8542530515101 | |
| 43 | CV 6231847209 | Cover | UKT50-3+15S-2D | 1 | 8542537600800 | |
| 44 | CV 6380197941 | Mounting Plate | | 1 | 8542236151001 | |
| 45 | CV 6380200474 | Support, Evaporator | | 3 | 8542223223500 | |
| 46 | CV 6380197859 | Guide | | 1 | 8542235215600 | |
| 47 | CV 6380197866 | Guide | | 1 | 8542235215700 | |
| 48 | CV 6380049523 | Cushion Rubber | | 3 | 8542231813800 | |
| 49 | CV 6380200375 | Cover Plate | | 1 | 8542234269600 | |
| 50 | CV 6230274990 | Bushing | | 1 | 8002533717900 | |
| 51 | CV 6230162938 | Eyelet | | 2 | 7332442512200 | |
| 52 | CV 6380065462 | Mounting Plate | | 1 | 8542414010201 | |
| 53 | CV 6231608237 | Packing | | 6 | 8542136179110 | |
| 54 | CV 6231608244 | Packing | | 1 | 8542136180610 | |
| 55 | CV 6380197934 | Cover Plate | | 1 | 8542234269300 | |
| * | 56 | CV 6233196626 | Thermistor Ass'y(E2) | PB3M-41E-S4 | 1 | 8FA0525961600 |
| | 57 | CV 6230772205 | Clip | | 2 | 8542231510301 |
| | 58 | CV 6231262866 | Square Washer | | 1 | 8542232810401 |
| | 59 | CV 6230996052 | Spacer | SPSN-6 | 2 | 8512536604200 |
| | 60 | CV 6230971677 | Spacer | SPLSN-6 | 4 | 8512536603800 |
| * | 61 | CV 6233196596 | Remote Control Switch | CZ-RTC2 | 1 | 8FA0005115200 |
| | 62 | CV 6230516977 | Screw Special | | 1 | 8522239610103 |
| | | CV 6233196589 | Operation Manual | | 1 | 8546460907302 |
| | | CV 6233186962 | Installation Instructions | | 1 | 8546436953201 |

NOTE: Metal and plastic parts will be supplied basically with necessary heat insulation pads or packing. Each key number with an asterisk (*) means the recommended service parts.

S-42PU1U6
INDOOR UNIT



ATTENTION!

To ensure correct parts supply, please let us know the following,

Part No. when you make service parts order:

1.Part No. 2.Description 3.Q'ty 4.Volts-Hz-Ph 5.Product Mode No.

S-42PU1U6
INDOOR UNIT

| KeyNo. | Part No. | Description | Model Number | Q'ty | Reference No. |
|--------|---------------|---------------------------|-----------------------|------|---------------|
| * 1 | CV 6233010854 | Heat Exch Ass'y | | 1 | 8540412458400 |
| * 2 | CV 6233196602 | Fan Motor Ass'y | SFG6X-81A6P | 1 | 8FA0520219400 |
| * 3 | CV 6231159661 | Fixed Capacitor | UP44B605J0313D | 1 | 4223956679 |
| * 4 | CV 6231916783 | Fuse | MT3 5A | 2 | 1FJ4S3A003900 |
| * 5 | CV 6233196527 | Terminal Base | UKT50-3+15S-2J-SA4117 | 1 | 1FA4J3A048900 |
| 6 | CV 6380197965 | Mounting Plate | | 3 | 8542236158301 |
| * 7 | CV 6233196510 | Switch Ass'y | FS-0218-102 | 1 | 8FA0515209000 |
| * 8 | CV 6233196503 | Circuit Board Ass'y | CR-26PU1U6-P | 1 | 8549953605983 |
| * 9 | CV 6233197296 | Thermistor Ass'y | KTEC-35-S6 | 1 | 8FA0525963900 |
| * 10 | CV 6233196619 | Thermistor Ass'y(E1) | PBC-41E-S14 | 1 | 8FA0525961500 |
| 11 | CV 6231592710 | Cabinet Ass'y | | 1 | 8540110433000 |
| * 12 | CV 6233196541 | Motor Pump Ass'y | PLD-12230ST-6 | 1 | 8FA0526415200 |
| 13 | CV 6230936508 | Washer | | 3 | 3902103100 |
| * 14 | CV 6380200320 | Fan Ass'y | | 1 | 8540250124300 |
| 15 | CV 6380197651 | Cushion Rubber | | 3 | 8542253417800 |
| 16 | CV 6380197668 | Drain Hose | | 1 | 8542429714700 |
| 17 | CV 6380200405 | Mounting Plate | | 1 | 8542413466500 |
| 18 | CV 6230709300 | Strainer Ass'y | | 1 | 8540452210400 |
| 19 | CV 6380200436 | Mounting Plate | | 1 | 8542236151401 |
| 20 | CV 6231916837 | Mounting Plate, Drain Pan | | 1 | 85422333221H2 |
| 21 | CV 6231608206 | Insulation Special | | 1 | 8542241124110 |
| 22 | CV 6231608213 | Insulation Special | | 1 | 8542241124020 |
| * 23 | CV 6231916820 | Transformer Ass'y | ATR-IIK224A | 1 | 8540526319000 |
| 24 | CV 6231916899 | Cover Ass'y, Evaporator | | 1 | 85402317170H2 |
| 25 | CV 6231916912 | Cabinet Plate | | 1 | 85421105299H2 |
| 26 | CV 6231907040 | Mounting Plate | | 1 | 85424134665H1 |
| * 27 | CV 6231916905 | Drain Pan Ass'y | | 1 | 85402301516H2 |
| 28 | CV 6380197712 | Mounting Plate, Drain Pan | | 1 | 8542233322001 |
| 29 | CV 6231019132 | Cap Rubber | | 1 | 8542410910200 |
| 30 | CV 6231916844 | Mounting Plate | | 1 | 85422361512H2 |
| 31 | CV 6380197736 | Mounting Parts Ass'y | | 2 | 8540111120301 |
| 32 | CV 6380197743 | Mounting Parts Ass'y | | 2 | 8540111120401 |
| 33 | CV 6380148165 | Joint Drain | | 1 | 8542233417310 |
| 34 | CV 6231608473 | Support Wire | | 1 | 8542531911201 |
| 35 | CV 6233196565 | Elec. Wiring Diagram | | 1 | 8FA2525103700 |
| 36 | CV 6380197767 | Cover,Elec.Component Box | | 1 | 8542530450801 |
| 37 | CV 6231608138 | Elec Component Box Ass'y | | 1 | 8540530180300 |
| 38 | CV 6230383425 | Bushing | OCB-875 | 1 | 8512537000900 |
| 39 | CV 6231263856 | Washer Special | | 1 | 8542135515201 |
| 40 | CV 6231608145 | Nozzle | | 1 | 8542251914310 |

NOTE: Metal and plastic parts will be supplied basically with necessary heat insulation pads or packing. Each key number with an asterisk (*) means the recommended service parts.

ATTENTION!

To ensure correct parts supply, please let us know the following,

Part No. when you make service parts order:

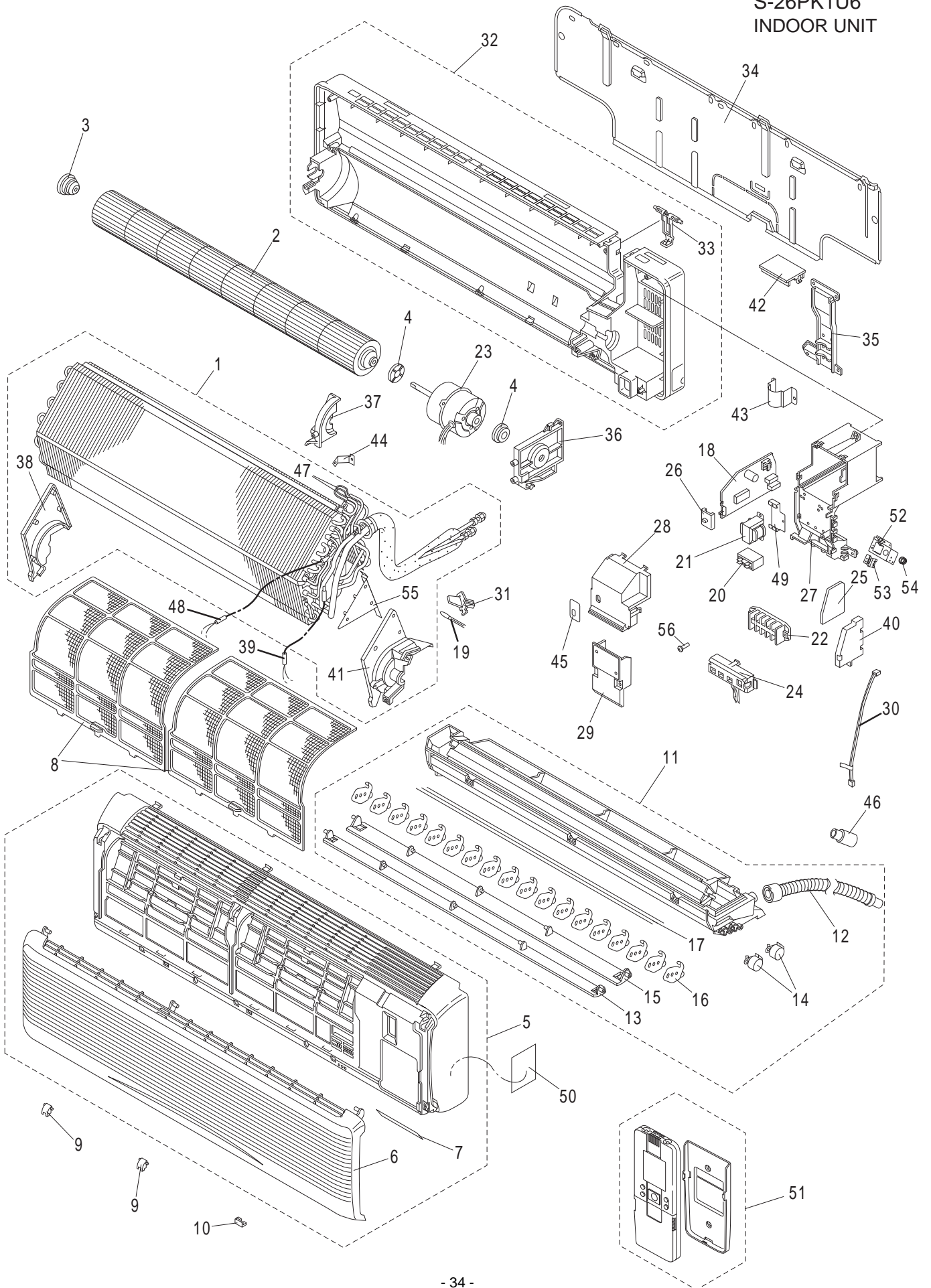
1.Part No. 2.Description 3.Q'ty 4.Volts-Hz-Ph 5.Product Mode No.

S-42PU1U6
INDOOR UNIT

| KeyNo. | Part No. | Description | Model Number | Q'ty | Reference No. | |
|--------|---------------|---------------------|---------------------------|-------------|---------------|---------------|
| 41 | CV 6380197958 | Mounting Plate | | 1 | 8542236151101 | |
| 42 | CV 6231608480 | Cover Terminal | | 1 | 8542530515101 | |
| 43 | CV 6231847209 | Cover | UKT50-3+15S-2D | 1 | 8542537600800 | |
| 44 | CV 6380197941 | Mounting Plate | | 1 | 8542236151001 | |
| 45 | CV 6380200474 | Support, Evaporator | | 3 | 8542223223500 | |
| 46 | CV 6380197859 | Guide | | 1 | 8542235215600 | |
| 47 | CV 6380197866 | Guide | | 1 | 8542235215700 | |
| 48 | CV 6380049523 | Cushion Rubber | | 3 | 8542231813800 | |
| 49 | CV 6380200375 | Cover Plate | | 1 | 8542234269600 | |
| 50 | CV 6230274990 | Bushing | | 1 | 8002533717900 | |
| 51 | CV 6230162938 | Eyelet | | 2 | 7332442512200 | |
| 52 | CV 6380065462 | Mounting Plate | | 1 | 8542414010201 | |
| 53 | CV 6231608237 | Packing | | 6 | 8542136179110 | |
| 54 | CV 6231608244 | Packing | | 1 | 8542136180610 | |
| 55 | CV 6380197934 | Cover Plate | | 1 | 8542234269300 | |
| * | 56 | CV 6233196626 | Thermistor Ass'y(E2) | PB3M-41E-S4 | 1 | 8FA0525961600 |
| | 57 | CV 6230772205 | Clip | | 2 | 8542231510301 |
| | 58 | CV 6231262866 | Square Washer | | 1 | 8542232810401 |
| | 59 | CV 6230996052 | Spacer | SPSN-6 | 2 | 8512536604200 |
| | 60 | CV 6230971677 | Spacer | SPLSN-6 | 4 | 8512536603800 |
| * | 61 | CV 6233196596 | Remote Control Switch | CZ-RTC2 | 1 | 8FA0005115200 |
| | 62 | CV 6230516977 | Screw Special | | 1 | 8522239610103 |
| | | CV 6233196589 | Operation Manual | | 1 | 8546460907302 |
| | | CV 6233186962 | Installation Instructions | | 1 | 8546436953201 |

NOTE: Metal and plastic parts will be supplied basically with necessary heat insulation pads or packing. Each key number with an asterisk (*) means the recommended service parts.

S-26PK1U6
INDOOR UNIT



ATTENTION!

To ensure correct parts supply, please let us know the following,

Part No. when you make service parts order:

1.Part No. 2.Description 3.Q'ty 4.Volts-Hz-Ph 5.Product Mode No.

S-26PK1U6
INDOOR UNIT

| KeyNo. | Part No. | Description | Model Number | Q'ty | Reference No. | |
|--------|---------------|--------------------------|---------------------------|-----------------|---------------|---------------|
| 1 | CV 6231927673 | Evaporator Ass'y | | 1 | 8520411672310 | |
| * | 2 | CV 6231572798 | Cross-Flow Fan Ass'y | FRS-10085-AAS | 1 | 8520250922400 |
| * | 3 | CV 6230944466 | Bearing Housing Ass'y | | 1 | 8520251012800 |
| 4 | CV 6231870641 | Cushion Rubber | | 2 | 8542253423500 | |
| 5 | CV 6233196411 | Air Intake Grille Ass'y | | 1 | 8540111022200 | |
| 6 | CV 6233196404 | Ornamental Plate | | 1 | 8522151630713 | |
| 7 | CV 6233196633 | Ornamental Plate | | 1 | 8522533811406 | |
| 8 | CV 6233196398 | Air Filter Ass'y | | 2 | 8520230727920 | |
| 9 | CV 6231610469 | Cap | | 2 | 8522235018211 | |
| 10 | CV 6231610452 | Cap | | 1 | 8522235018311 | |
| 11 | CV 6231927680 | Blade Louver Ass'y | | 1 | 8540150539700 | |
| 12 | CV 6231572842 | Drain Hose Ass'y | | 1 | 8520130324100 | |
| 13 | CV 6231610438 | Flap | | 1 | 8522152322911 | |
| * | 14 | CV 6231886031 | Step Motor | MP24Z8-12V | 2 | 1FA4M3A001600 |
| 15 | CV 6231610421 | Flap | | 1 | 8522152323011 | |
| 16 | CV 6231610414 | Blade | | 18 | 8522151928211 | |
| 17 | CV 6233148540 | Wire | | 3 | 8522131530302 | |
| * | 18 | CV 6231886055 | Circuit Board Ass'y | CB-KR254GXH56A | 1 | 8549953605233 |
| * | 19 | CV 6231725460 | Thermistor Ass'y(TA) | KTEC-35-S98-1 | 1 | 8540525968200 |
| * | 20 | CV 6380070572 | Fixed Capacitor | UP44B185J0393C | 1 | 4223956845 |
| * | 21 | CV 6231927703 | Transformer Ass'y | ATR-IIK244D-R | 1 | 8FA0526305600 |
| * | 22 | CV 6231725446 | Terminal Base | KT15-5J-SA2030 | 1 | 1FA4J3A016400 |
| * | 23 | CV 6233196428 | Fan Motor | KFT4Q-31B6P-C-R | 1 | 1FA4M1A028206 |
| * | 24 | CV 6231725422 | Indicator Lamp Ass'y | IND-KRP80A | 1 | 8540516102000 |
| * | 25 | CV 6231927734 | P.C.B. Ass'y | POW-KH2672R | 1 | 8FA0517867800 |
| 26 | CV 6231512800 | Knob | | 1 | 8522532311201 | |
| 27 | CV 6231610544 | Elec. Component Box | | 1 | 8522530760611 | |
| 28 | CV 6231610537 | Cover,Elec.Component Box | | 1 | 8522531537911 | |
| 29 | CV 6231610520 | Terminal Cover Ass'y | | 1 | 8520530901400 | |
| * | 30 | CV 6231927727 | Wire Ass'y(RC-2P-WHT) | | 1 | 8FA0528583400 |
| 31 | CV 6231725507 | Mounting Thermostat | | 1 | 8522530325101 | |
| 32 | CV 6233196435 | Frame Ass'y | | 1 | 8540220635500 | |
| 33 | CV 6231547604 | Mounting, Tube | | 1 | 8522236222411 | |
| 34 | CV 6231573016 | Rear Panel | | 1 | 852223017100 | |
| 35 | CV 6231610582 | Mounting, Tube | | 1 | 8522236224111 | |
| * | 36 | CV 6233196459 | Mounting Plate, Fan Motor | | 1 | 8549953605984 |
| * | 37 | CV 6233196442 | Mounting Plate, Fan Motor | | 1 | 8549953605985 |
| 38 | CV 6231927741 | Mounting Plate Ass'y | | 1 | 8540232371110 | |
| * | 39 | CV 6231725576 | Thermistor Ass'y(E1) | PBC-41E-AS7-1 | 1 | 8540525968300 |
| 40 | CV 6231727006 | Holder | | 1 | 8522537711200 | |

NOTE: Metal and plastic parts will be supplied basically with necessary heat insulation pads or packing. Each key number with an asterisk (*) means the recommended service parts.

ATTENTION!

To ensure correct parts supply, please let us know the following,

Part No. when you make service parts order:

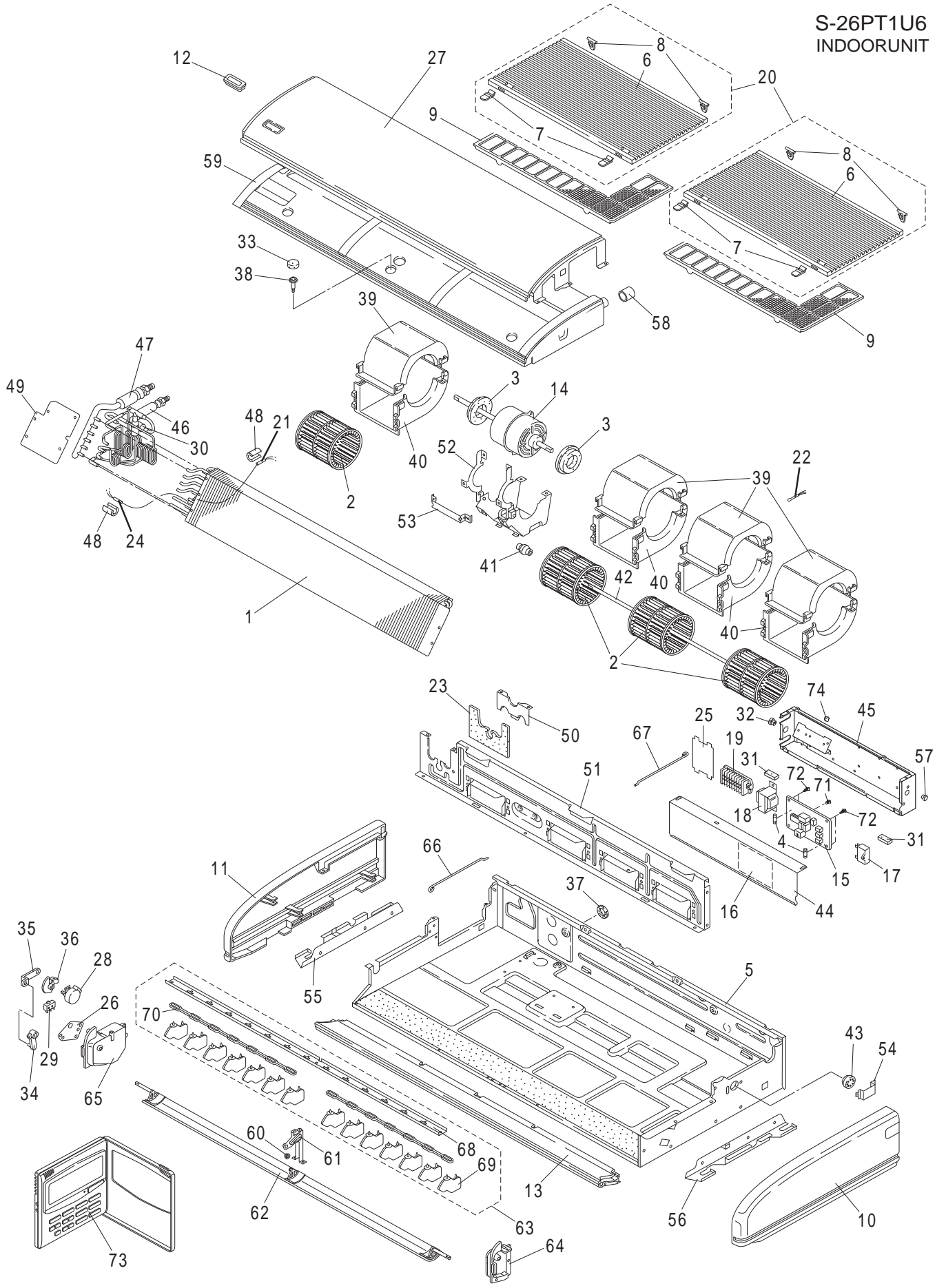
1.Part No. 2.Description 3.Q'ty 4.Volts-Hz-Ph 5.Product Mode No.

S-26PK1U6
INDOOR UNIT

| KeyNo. | Part No. | Description | Model Number | Q'ty | Reference No. |
|--------|---------------|----------------------|---------------------------|------|---------------|
| 41 | CV 6231927758 | Mounting Plate Ass'y | | 1 | 8540232368410 |
| 42 | CV 6231610605 | Cover | | 1 | 8522236935411 |
| 43 | CV 6231573047 | Mounting, Tube | | 1 | 8522236224410 |
| 44 | CV 6231573030 | Mounting Plate | | 1 | 8522230984610 |
| 45 | CV 6231573023 | Ornament | | 1 | 8522151367901 |
| 46 | CV 6230774384 | Joint Drain | | 1 | 8542233413400 |
| * | 47 | CV 6233196473 | Capillary Tube | 2 | 8542423772500 |
| * | 48 | CV 6231725569 | Thermistor Ass'y(E2) | 1 | 8540525968400 |
| | 49 | CV 6231927772 | Mounting Plate | 1 | 8542530936301 |
| * | 50 | CV 6233196664 | Elec. Wiring Diagram | 1 | 8FA2525102900 |
| * | 51 | CV 6233196657 | Remote Control Switch | 1 | 8FA0005458700 |
| | 52 | CV 6233133461 | Mounting Plate Ass'y | 1 | 8540232377801 |
| | 53 | CV 6233119748 | Mounting Plate | 1 | 8542530941601 |
| | 54 | CV 6230383425 | Bushing | 1 | 8512537000900 |
| | 55 | CV 6233196640 | Mounting Plate | 1 | 8522230984900 |
| | 56 | CV 6230516977 | Screw Special | 1 | 8522239610103 |
| | | CV 6233186955 | Installation Instructions | 1 | 8546436953202 |

NOTE: Metal and plastic parts will be supplied basically with necessary heat insulation pads or packing. Each key number with an asterisk (*) means the recommended service parts.

S-26PT1U6
INDOORUNIT



ATTENTION!

To ensure correct parts supply, please let us know the following,

Part No. when you make service parts order:

1.Part No. 2.Description 3.Q'ty 4.Volts-Hz-Ph 5.Product Mode No.

S-26PT1U6
INDOOR UNIT

| KeyNo. | Part No. | Description | Model Number | Q'ty | Reference No. |
|--------|---------------|-----------------------|------------------|------|---------------|
| * 1 | CV 6233010762 | Heat Exch Ass'y | | 1 | 8540412458600 |
| * 2 | CV 6380163489 | Fan Ass'y | | 4 | 8540250124010 |
| 3 | CV 6231314206 | Cushion Rubber | | 2 | 8522251115900 |
| * 4 | CV 6231916783 | Fuse | MT3 5A | 2 | 1FJ4S3A003900 |
| * 5 | CV 6231920131 | Cabinet Ass'y | | 1 | 8549953605298 |
| 6 | CV 6380163595 | Suction Grille | | 2 | 8542110416810 |
| 7 | CV 6380163601 | Hook Plate | | 4 | 8542113023310 |
| 8 | CV 6380163618 | Hook Plate | | 4 | 8542113023410 |
| 9 | CV 6233196725 | Frame Filter Ass'y | | 2 | 8540130222820 |
| 10 | CV 6380163632 | Side Panel | | 1 | 8542110255310 |
| 11 | CV 6380163649 | Side Panel | | 1 | 8542110255410 |
| 12 | CV 6233196718 | Ornamental Plate | | 1 | 85421308288H6 |
| * 13 | CV 6231920148 | Top Panel Ass'y | | 1 | 8549953605297 |
| * 14 | CV 6233196701 | Fan Motor Ass'y | SR4X-51A6P | 1 | 8FA0520219100 |
| * 15 | CV 6231921572 | Circuit Board Ass'y | CR-TH2672 | 1 | 8549953605306 |
| 16 | CV 6233196695 | Elec. Wiring Diagram | | 1 | 8FA2525106500 |
| * 17 | CV 6233196763 | Fixed Capacitor | UP44B155JMF-B | 1 | 1FA4C1A015000 |
| * 18 | CV 6231608503 | Transformer Ass'y | ATR-IIK244B | 1 | 8540526318900 |
| * 19 | CV 6233196527 | Terminal Base | UKT50-3+15S-2J-S | 1 | 1FA4J3A048900 |
| 20 | CV 6231920162 | Suction Grille | | 2 | 85421104168H2 |
| * 21 | CV 6233196756 | Thermistor Ass'y (E2) | PBC-41E-S14 | 1 | 8FA0525961400 |
| * 22 | CV 6233196749 | Thermistor Ass'y (TA) | KTEC-35-S6 | 1 | 8FA0525961700 |
| 23 | CV 6380163793 | Insulation | | 1 | 8542240378310 |
| * 24 | CV 6233196732 | Thermistor Ass'y (E1) | PBC-41E-S14 | 1 | 8FA0525961300 |
| 25 | CV 6231847209 | Cover | UKT50-3+15S-2D | 1 | 8542537600800 |
| 26 | CV 6231628402 | Mounting Plate | | 1 | 8542531271001 |
| 27 | CV 6380163670 | Front Panel | | 1 | 85421101827H3 |
| * 28 | CV 6380082063 | Synchronized Motor | MT8-3C | 1 | 5280500000303 |
| * 29 | CV 6233196770 | Sw K | SS-01GL13-F | 1 | 8FA0525708300 |
| 30 | CV 6230709300 | Strainer Ass'y | | 1 | 8540452210400 |
| 31 | CV 6231920179 | Packing | | 2 | 8542236647910 |
| 32 | CV 6230383425 | Bushing | OCB-875 | 1 | 8512537000900 |
| 33 | CV 6380163786 | Packing | | 1 | 8542236644210 |
| 34 | CV 6380150922 | Shaft | | 1 | 8542134913900 |
| 35 | CV 6380150939 | Rod | | 1 | 8542232912600 |
| 36 | CV 6380150946 | Cam | | 1 | 8542235411100 |
| 37 | CV 6380163809 | Cap | | 1 | 8542234614200 |
| 38 | CV 6380150953 | Screw Special | | 1 | 8542135615401 |
| 39 | CV 6380163687 | Blower Casing | | 4 | 8542250619010 |
| 40 | CV 6380163694 | Blower Casing | | 4 | 8542250618810 |

NOTE: Metal and plastic parts will be supplied basically with necessary heat insulation pads or packing. Each key number with an asterisk (*) means the recommended service parts.

ATTENTION!

To ensure correct parts supply, please let us know the following,

Part No. when you make service parts order:

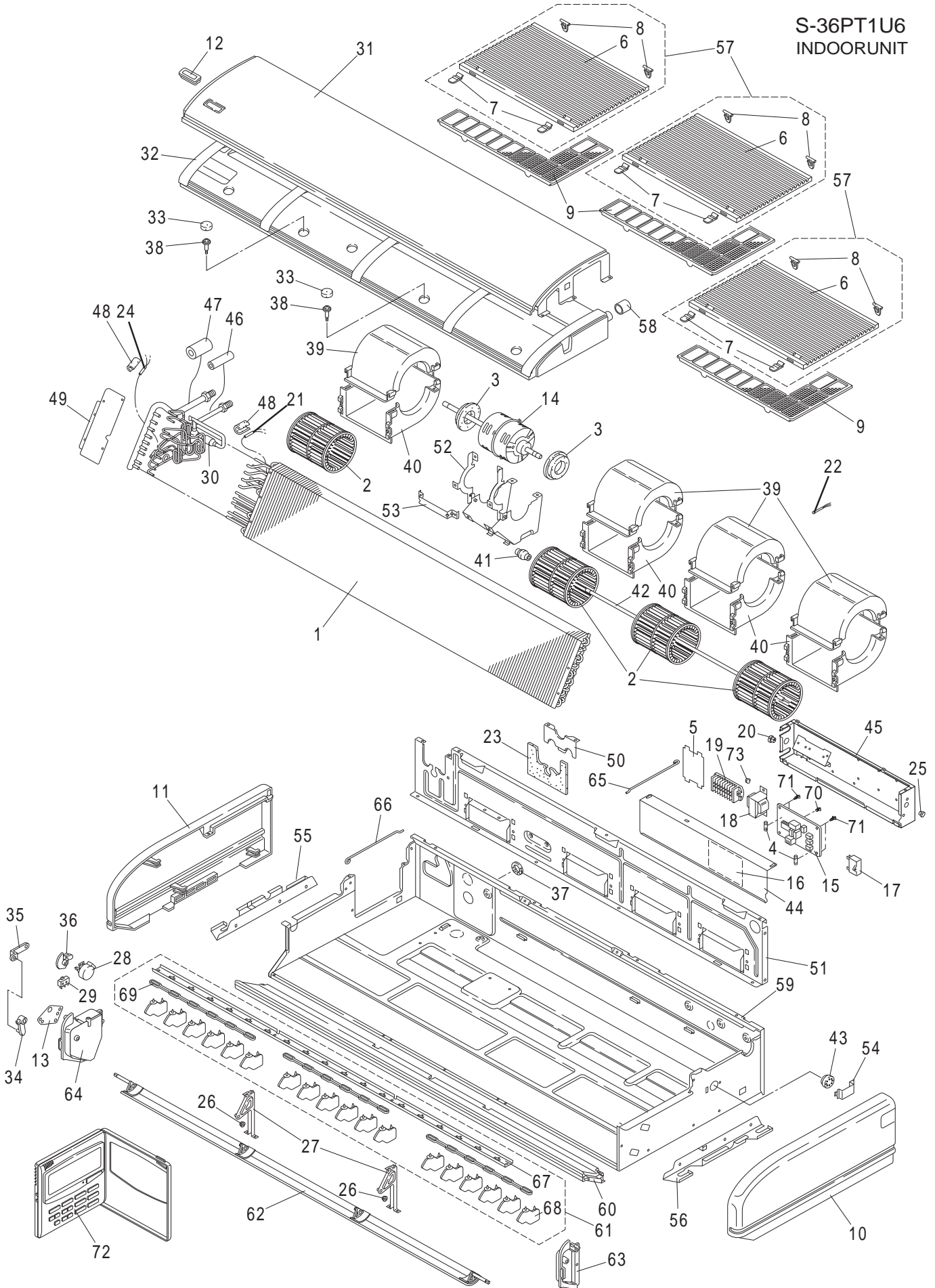
1.Part No. 2.Description 3.Q'ty 4.Volts-Hz-Ph 5.Product Mode No.

S-26PT1U6
INDOOR UNIT

| KeyNo. | Part No. | Description | Model Number | Q'ty | Reference No. |
|--------|---------------|----------------------------|--------------|------|---------------|
| 41 | CV 6380150984 | Boss Ass'y | | 1 | 8540251311800 |
| 42 | CV 6380150991 | Shaft Ass'y | | 1 | 8540251810800 |
| * 43 | CV 6230944466 | Bearing Housing Ass'y | | 1 | 8520251012800 |
| 44 | CV 6380163700 | Cover, Elec.Component Box | | 1 | 8542530448500 |
| 45 | CV 6380163717 | Elec Component Box Ass'y | | 1 | 8540530173201 |
| 46 | CV 6231920209 | Insulation Special | | 1 | 8542241115010 |
| 47 | CV 6231920193 | Insulation Special | | 1 | 8542241115210 |
| 48 | CV 6230546073 | Insulation Tube | | 2 | 8522451428600 |
| 49 | CV 6231700450 | Mounting Plate, Evaporator | | 1 | 8542230330701 |
| 50 | CV 6380163731 | Cover, Evaporator | | 1 | 85422325313H2 |
| 51 | CV 6380151066 | Partition Plate, Blower | | 1 | 8542250518600 |
| 52 | CV 6380151073 | Support Motor Ass'y | | 1 | 8540251124101 |
| 53 | CV 6380151080 | Support Fan Motor | | 1 | 8542251629000 |
| 54 | CV 6380151097 | Mounting Plate | | 1 | 8542236136901 |
| 55 | CV 6380150618 | Hook Plate | | 1 | 8542113023501 |
| 56 | CV 6380150625 | Hook Plate | | 1 | 8542113023601 |
| 57 | CV 6230274990 | Bushing | | 1 | 8002533717900 |
| 58 | CV 6380163779 | Cap | | 1 | 8542413314910 |
| * 59 | CV 6380163564 | Drain Pan Ass'y | | 1 | 85402301482H2 |
| 60 | CV 6231593243 | Collar | | 1 | 8542253513600 |
| 61 | CV 6231593588 | Support Louver | | 1 | 8542111125001 |
| 62 | CV 6231920223 | Air Guide Ass'y | | 1 | 8540111513510 |
| 63 | CV 6231920216 | Support Louver | | 1 | 85421111253H2 |
| 64 | CV 6380163663 | Side Cover Ass'y, Left | | 1 | 85421107405H2 |
| * 65 | CV 6233196787 | Side Cover Ass'y, Right | | 1 | 8549953605992 |
| 66 | CV 6380151141 | Wire | | 1 | 8542131027401 |
| 67 | CV 6380151158 | Wire | | 1 | 8542131027501 |
| 68 | CV 6231593809 | Support Louver | | 1 | 8542111125300 |
| 69 | CV 6231920940 | Blade Louver | | 14 | 8542111022610 |
| 70 | CV 6231920933 | Mounting Plate | | 2 | 8542112993310 |
| 71 | CV 6230996052 | Spacer | SPSN-6 | 1 | 8512536604200 |
| 72 | CV 6230971677 | Spacer | SPLSN-6 | 4 | 8512536603800 |
| * 73 | CV 6233196596 | Remote Control Switch | CZ-RTC2 | 1 | 8FA0005115200 |
| 74 | CV 6230516977 | Screw Special | | 1 | 8522239610103 |
| | CV 6233196589 | Operation Manual | | 1 | 8546460907302 |
| | CV 6233196794 | Installation Instructions | | 1 | 8546436934302 |
| | CV 6233186962 | Installation Instructions | | 1 | 8546436953201 |

NOTE: Metal and plastic parts will be supplied basically with necessary heat insulation pads or packing. Each key number with an asterisk (*) means the recommended service parts.

S-36PT1U6
INDOORUNIT



ATTENTION!

To ensure correct parts supply, please let us know the following,

Part No. when you make service parts order:

1.Part No. 2.Description 3.Q'ty 4.Volts-Hz-Ph 5.Product Mode No.

S-36PT1U6
INDOOR UNIT

| KeyNo. | Part No. | Description | Model Number | Q'ty | Reference No. |
|--------|---------------|-----------------------|------------------|------|---------------|
| * 1 | CV 6233010793 | Heat Exch Ass'y | | 1 | 8540412458700 |
| * 2 | CV 6380181070 | Fan Ass'y | | 4 | 8540250124110 |
| 3 | CV 6380151486 | Cushion Rubber | | 2 | 8542253417500 |
| * 4 | CV 6231916783 | Fuse | MT3 5A | 2 | 1FJ4S3A003900 |
| 5 | CV 6231847209 | Cover | UKT50-3+15S-2D | 1 | 8542537600800 |
| 6 | CV 6380181124 | Suction Grille | | 3 | 8542110416910 |
| 7 | CV 6380163601 | Hook Plate | | 6 | 8542113023310 |
| 8 | CV 6380163618 | Hook Plate | | 6 | 8542113023410 |
| 9 | CV 6233196817 | Frame Filter Ass'y | | 3 | 8540130222920 |
| 10 | CV 6380181148 | Side Panel | | 1 | 8542110255510 |
| 11 | CV 6380181155 | Side Panel | | 1 | 8542110255610 |
| 12 | CV 6233196718 | Ornamental Plate | | 1 | 85421308288H6 |
| 13 | CV 6231628402 | Mounting Plate | | 1 | 8542531271001 |
| * 14 | CV 6233196800 | Fan Motor Ass'y | KFG4X-101C6P | 1 | 8FA0520219200 |
| * 15 | CV 6231921572 | Circuit Board Ass'y | CR-TH2672 | 1 | 8549953605306 |
| 16 | CV 6233196695 | Elec. Wiring Diagram | | 1 | 8FA2525106500 |
| * 17 | CV 6231693639 | Fixed Capacitor | UP44B505JMF-B | 1 | 1FA4C1A015800 |
| * 18 | CV 6231608503 | Transformer Ass'y | ATR-IIK244B | 1 | 8540526318900 |
| * 19 | CV 6233196527 | Terminal Base | UKT50-3+15S-2J-S | 1 | 1FA4J3A048900 |
| 20 | CV 6230383425 | Bushing | OCB-875 | 1 | 8512537000900 |
| * 21 | CV 6233196756 | Thermistor Ass'y (E2) | PBC-41E-S14 | 1 | 8FA0525961400 |
| * 22 | CV 6233196749 | Thermistor Ass'y (TA) | KTEC-35-S6 | 1 | 8FA0525961700 |
| 23 | CV 6380181247 | Insulation | | 1 | 8542240378410 |
| * 24 | CV 6233196732 | Thermistor Ass'y (E1) | PBC-41E-S14 | 1 | 8FA0525961300 |
| 25 | CV 6230274990 | Bushing | | 1 | 8002533717900 |
| 26 | CV 6231593243 | Collar | | 2 | 8542253513600 |
| 27 | CV 6380154494 | Support Louver | | 2 | 8542111125101 |
| * 28 | CV 6380082063 | Synchronized Motor | MT8-3C | 1 | 5280500000303 |
| * 29 | CV 6233196770 | Sw K | SS-01GL13-F | 1 | 8FA0525708300 |
| 30 | CV 6230709300 | Strainer Ass'y | | 1 | 8540452210400 |
| 31 | CV 6380181186 | Front Panel | | 1 | 85421101828H3 |
| * 32 | CV 6380181117 | Drain Pan Ass'y | | 1 | 85402301483H4 |
| 33 | CV 6380163786 | Packing | | 2 | 8542236644210 |
| 34 | CV 6380150922 | Shaft | | 1 | 8542134913900 |
| 35 | CV 6380150939 | Rod | | 1 | 8542232912600 |
| 36 | CV 6380150946 | Cam | | 1 | 8542235411100 |
| 37 | CV 6380163809 | Cap | | 1 | 8542234614200 |
| 38 | CV 6380150953 | Screw Special | | 2 | 8542135615401 |
| 39 | CV 6380181193 | Blower Casing | | 4 | 8542250619110 |
| 40 | CV 6380181209 | Blower Casing | | 4 | 8542250618910 |

NOTE: Metal and plastic parts will be supplied basically with necessary heat insulation pads or packing. Each key number with an asterisk (*) means the recommended service parts.

ATTENTION!

To ensure correct parts supply, please let us know the following,

Part No. when you make service parts order:

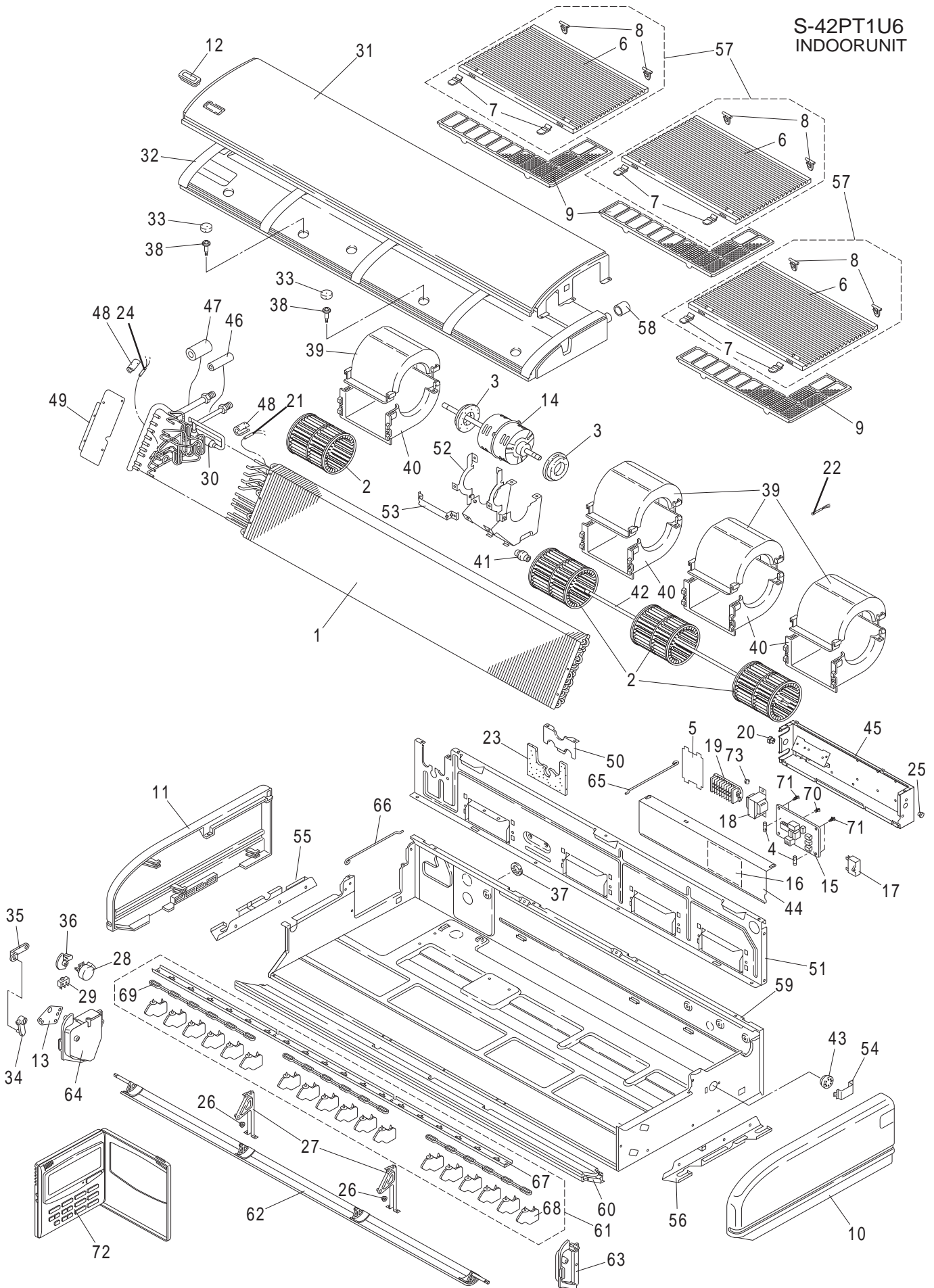
1.Part No. 2.Description 3.Q'ty 4.Volts-Hz-Ph 5.Product Mode No.

S-36PT1U6
INDOOR UNIT

| KeyNo. | Part No. | Description | Model Number | Q'ty | Reference No. |
|--------|---------------|----------------------------|--------------|------|---------------|
| 41 | CV 6380151523 | Boss Ass'y | | 1 | 8540251311900 |
| 42 | CV 6380151530 | Shaft Ass'y | | 1 | 8540251810900 |
| * 43 | CV 6230944466 | Bearing Housing Ass'y | | 1 | 8520251012800 |
| 44 | CV 6380163700 | Cover, Elec. Component Box | | 1 | 8542530448500 |
| 45 | CV 6380163717 | Elec Component Box Ass'y | | 1 | 8540530173201 |
| 46 | CV 6231920247 | Insulation Special | | 1 | 8542241132410 |
| 47 | CV 6231920193 | Insulation Special | | 1 | 8542241115210 |
| 48 | CV 6230546073 | Insulation Tube | | 2 | 8522451428600 |
| 49 | CV 6231700245 | Mounting Plate, Evaporator | | 1 | 8542230330801 |
| 50 | CV 6380163731 | Cover, Evaporator | | 1 | 85422325313H2 |
| 51 | CV 6380151578 | Partition Plate, Blower | | 1 | 8542250518700 |
| 52 | CV 6380151585 | Support Motor Ass'y | | 1 | 8540251124201 |
| 53 | CV 6380151080 | Support Fan Motor | | 1 | 8542251629000 |
| 54 | CV 6380151097 | Mounting Plate | | 1 | 8542236136901 |
| 55 | CV 6380150618 | Hook Plate | | 1 | 8542113023501 |
| 56 | CV 6380150625 | Hook Plate | | 1 | 8542113023601 |
| 57 | CV 6231920292 | Suction Grille | | 3 | 85421104169H2 |
| 58 | CV 6380163779 | Cap | | 1 | 8542413314910 |
| * 59 | CV 6231920285 | Cabinet Ass'y | | 1 | 8549953605302 |
| * 60 | CV 6231920278 | Top Panel Ass'y | | 1 | 8549953605301 |
| 61 | CV 6231920261 | Support Louver | | 1 | 85421111254H2 |
| 62 | CV 6231920254 | Air Guide Ass'y | | 1 | 8540111513610 |
| 63 | CV 6380181179 | Side Cover Ass'y, Left | | 1 | 85421107406H2 |
| * 64 | CV 6233196824 | Side Cover Ass'y, Right | | 1 | 8549953605993 |
| 65 | CV 6380151158 | Wire | | 1 | 8542131027501 |
| 66 | CV 6380151141 | Wire | | 1 | 8542131027401 |
| 67 | CV 6231593250 | Support Louver | | 1 | 8542111125400 |
| 68 | CV 6231920940 | Blade Louver | | 18 | 8542111022610 |
| 69 | CV 6231920957 | Mounting Plate | | 3 | 8542112993210 |
| 70 | CV 6230996052 | Spacer | SPSN-6 | 1 | 8512536604200 |
| 71 | CV 6230971677 | Spacer | SPLSN-6 | 4 | 8512536603800 |
| * 72 | CV 6233196596 | Remote Control Switch | CZ-RTC2 | 1 | 8FA0005115200 |
| 73 | CV 6230516977 | Screw Special | | 1 | 8522239610103 |
| | CV 6233196589 | Operation Manual | | 1 | 8546460907302 |
| | CV 6233196794 | Installation Instructions | | 1 | 8546436934302 |
| | CV 6233186962 | Installation Instructions | | 1 | 8546436953201 |

NOTE: Metal and plastic parts will be supplied basically with necessary heat insulation pads or packing. Each key number with an asterisk (*) means the recommended service parts.

S-42PT1U6
INDOORUNIT



ATTENTION!

To ensure correct parts supply, please let us know the following,

Part No. when you make service parts order:

1.Part No. 2.Description 3.Q'ty 4.Volts-Hz-Ph 5.Product Mode No.

S-42PT1U6
INDOOR UNIT

| KeyNo. | Part No. | Description | Model Number | Q'ty | Reference No. |
|--------|---------------|-----------------------|------------------|------|---------------|
| * 1 | CV 6233010793 | Heat Exch Ass'y | | 1 | 8540412458700 |
| * 2 | CV 6380181070 | Fan Ass'y | | 4 | 8540250124110 |
| 3 | CV 6380151486 | Cushion Rubber | | 2 | 8542253417500 |
| * 4 | CV 6231916783 | Fuse | MT3 5A | 2 | 1FJ4S3A003900 |
| 5 | CV 6231847209 | Cover | UKT50-3+15S-2D | 1 | 8542537600800 |
| 6 | CV 6380181124 | Suction Grille | | 3 | 8542110416910 |
| 7 | CV 6380163601 | Hook Plate | | 6 | 8542113023310 |
| 8 | CV 6380163618 | Hook Plate | | 6 | 8542113023410 |
| 9 | CV 6233196817 | Frame Filter Ass'y | | 3 | 8540130222920 |
| 10 | CV 6380181148 | Side Panel | | 1 | 8542110255510 |
| 11 | CV 6380181155 | Side Panel | | 1 | 8542110255610 |
| 12 | CV 6233196718 | Ornamental Plate | | 1 | 85421308288H6 |
| 13 | CV 6231628402 | Mounting Plate | | 1 | 8542531271001 |
| * 14 | CV 6233196800 | Fan Motor Ass'y | KFG4X-101C6P | 1 | 8FA0520219200 |
| * 15 | CV 6231921572 | Circuit Board Ass'y | CR-TH2672 | 1 | 8549953605306 |
| 16 | CV 6233196695 | Elec. Wiring Diagram | | 1 | 8FA2525106500 |
| * 17 | CV 6231693639 | Fixed Capacitor | UP44B505JMF-B | 1 | 1FA4C1A015800 |
| * 18 | CV 6231608503 | Transformer Ass'y | ATR-IIK244B | 1 | 8540526318900 |
| * 19 | CV 6233196527 | Terminal Base | UKT50-3+15S-2J-S | 1 | 1FA4J3A048900 |
| 20 | CV 6230383425 | Bushing | OCB-875 | 1 | 8512537000900 |
| * 21 | CV 6233196756 | Thermistor Ass'y (E2) | PBC-41E-S14 | 1 | 8FA0525961400 |
| * 22 | CV 6233196749 | Thermistor Ass'y (TA) | KTEC-35-S6 | 1 | 8FA0525961700 |
| 23 | CV 6380181247 | Insulation | | 1 | 8542240378410 |
| * 24 | CV 6233196732 | Thermistor Ass'y (E1) | PBC-41E-S14 | 1 | 8FA0525961300 |
| 25 | CV 6230274990 | Bushing | | 1 | 8002533717900 |
| 26 | CV 6231593243 | Collar | | 2 | 8542253513600 |
| 27 | CV 6380154494 | Support Louver | | 2 | 8542111125101 |
| * 28 | CV 6380082063 | Synchronized Motor | MT8-3C | 1 | 5280500000303 |
| * 29 | CV 6233196770 | Sw K | SS-01GL13-F | 1 | 8FA0525708300 |
| 30 | CV 6230709300 | Strainer Ass'y | | 1 | 8540452210400 |
| 31 | CV 6380181186 | Front Panel | | 1 | 85421101828H3 |
| * 32 | CV 6380181117 | Drain Pan Ass'y | | 1 | 85402301483H4 |
| 33 | CV 6380163786 | Packing | | 2 | 8542236644210 |
| 34 | CV 6380150922 | Shaft | | 1 | 8542134913900 |
| 35 | CV 6380150939 | Rod | | 1 | 8542232912600 |
| 36 | CV 6380150946 | Cam | | 1 | 8542235411100 |
| 37 | CV 6380163809 | Cap | | 1 | 8542234614200 |
| 38 | CV 6380150953 | Screw Special | | 2 | 8542135615401 |
| 39 | CV 6380181193 | Blower Casing | | 4 | 8542250619110 |
| 40 | CV 6380181209 | Blower Casing | | 4 | 8542250618910 |

NOTE: Metal and plastic parts will be supplied basically with necessary heat insulation pads or packing. Each key number with an asterisk (*) means the recommended service parts.

ATTENTION!

To ensure correct parts supply, please let us know the following,

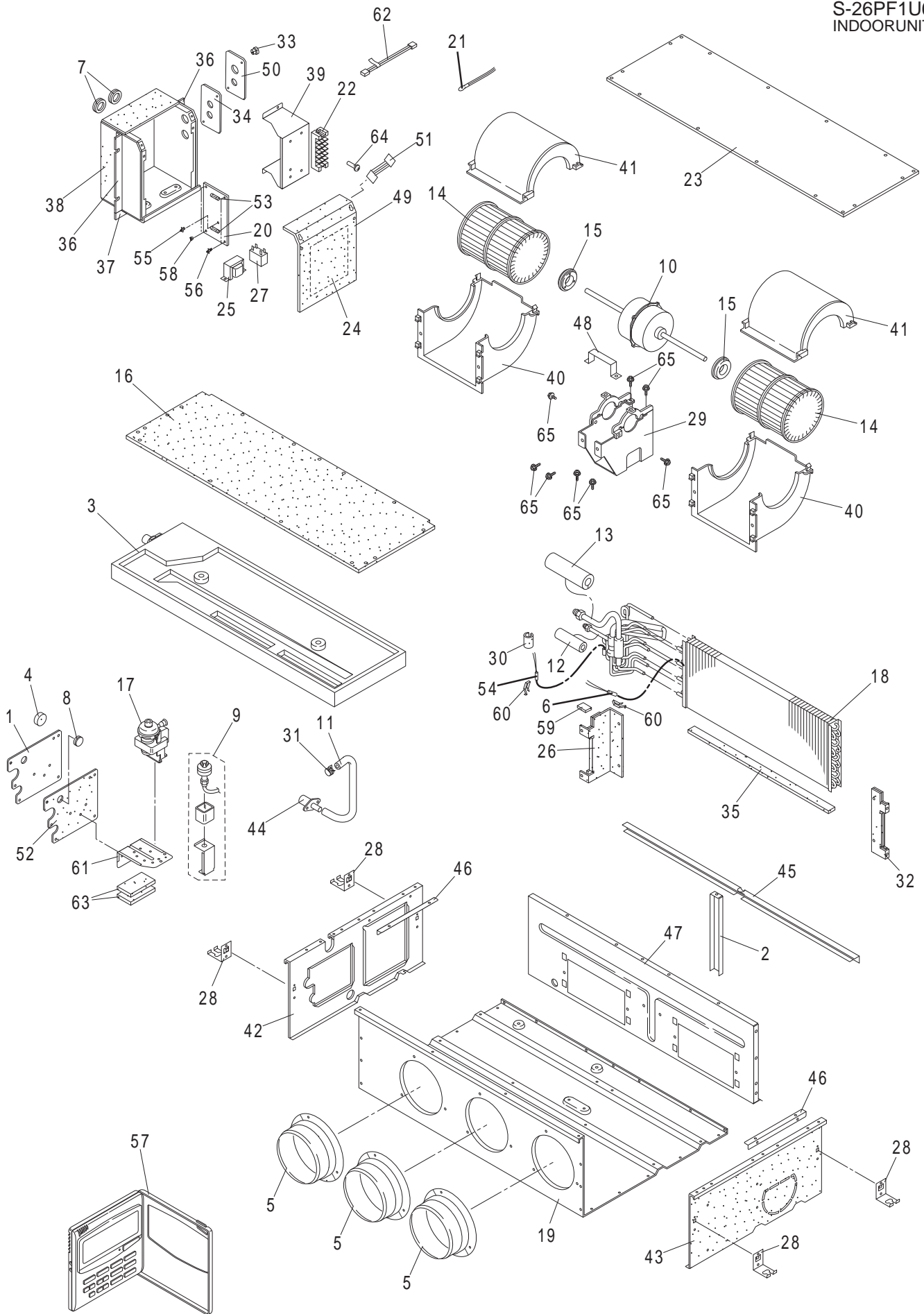
Part No. when you make service parts order:

1.Part No. 2.Description 3.Q'ty 4.Volts-Hz-Ph 5.Product Mode No.

S-42PT1U6
INDOOR UNIT

| KeyNo. | Part No. | Description | Model Number | Q'ty | Reference No. |
|--------|---------------|----------------------------|--------------|------|---------------|
| 41 | CV 6380151523 | Boss Ass'y | | 1 | 8540251311900 |
| 42 | CV 6380151530 | Shaft Ass'y | | 1 | 8540251810900 |
| * 43 | CV 6230944466 | Bearing Housing Ass'y | | 1 | 8520251012800 |
| 44 | CV 6380163700 | Cover, Elec. Component Box | | 1 | 8542530448500 |
| 45 | CV 6380163717 | Elec Component Box Ass'y | | 1 | 8540530173201 |
| 46 | CV 6231920247 | Insulation Special | | 1 | 8542241132410 |
| 47 | CV 6231920193 | Insulation Special | | 1 | 8542241115210 |
| 48 | CV 6230546073 | Insulation Tube | | 2 | 8522451428600 |
| 49 | CV 6231700245 | Mounting Plate, Evaporator | | 1 | 8542230330801 |
| 50 | CV 6380163731 | Cover, Evaporator | | 1 | 85422325313H2 |
| 51 | CV 6380151578 | Partition Plate, Blower | | 1 | 8542250518700 |
| 52 | CV 6380151585 | Support Motor Ass'y | | 1 | 8540251124201 |
| 53 | CV 6380151080 | Support Fan Motor | | 1 | 8542251629000 |
| 54 | CV 6380151097 | Mounting Plate | | 1 | 8542236136901 |
| 55 | CV 6380150618 | Hook Plate | | 1 | 8542113023501 |
| 56 | CV 6380150625 | Hook Plate | | 1 | 8542113023601 |
| 57 | CV 6231920292 | Suction Grille | | 3 | 85421104169H2 |
| 58 | CV 6380163779 | Cap | | 1 | 8542413314910 |
| * 59 | CV 6231920285 | Cabinet Ass'y | | 1 | 8549953605302 |
| * 60 | CV 6231920278 | Top Panel Ass'y | | 1 | 8549953605301 |
| 61 | CV 6231920261 | Support Louver | | 1 | 85421111254H2 |
| 62 | CV 6231920254 | Air Guide Ass'y | | 1 | 8540111513610 |
| 63 | CV 6380181179 | Side Cover Ass'y, Left | | 1 | 85421107406H2 |
| * 64 | CV 6233196824 | Side Cover Ass'y, Right | | 1 | 8549953605993 |
| 65 | CV 6380151158 | Wire | | 1 | 8542131027501 |
| 66 | CV 6380151141 | Wire | | 1 | 8542131027401 |
| 67 | CV 6231593250 | Support Louver | | 1 | 8542111125400 |
| 68 | CV 6231920940 | Blade Louver | | 18 | 8542111022610 |
| 69 | CV 6231920957 | Mounting Plate | | 3 | 8542112993210 |
| 70 | CV 6230996052 | Spacer | SPSN-6 | 1 | 8512536604200 |
| 71 | CV 6230971677 | Spacer | SPLSN-6 | 4 | 8512536603800 |
| * 72 | CV 6233196596 | Remote Control Switch | CZ-RTC2 | 1 | 8FA0005115200 |
| 73 | CV 6230516977 | Screw Special | | 1 | 8522239610103 |
| | CV 6233196589 | Operation Manual | | 1 | 8546460907302 |
| | CV 6233196794 | Installation Instructions | | 1 | 8546436934302 |
| | CV 6233186962 | Installation Instructions | | 1 | 8546436953201 |

NOTE: Metal and plastic parts will be supplied basically with necessary heat insulation pads or packing. Each key number with an asterisk (*) means the recommended service parts.



ATTENTION!

To ensure correct parts supply, please let us know the following,

Part No. when you make service parts order:

1.Part No. 2.Description 3.Q'ty 4.Volts-Hz-Ph 5.Product Mode No.

S-26PF1U6
INDOOR UNIT

| KeyNo. | Part No. | Description | Model Number | Q'ty | Reference No. | |
|--------|---------------|---------------------------|----------------------|------------------|---------------|---------------|
| 1 | CV 6231760560 | Cover Plate | | 1 | 8542230722000 | |
| 2 | CV 6380187263 | Mounting Plate | | 1 | 8542236149800 | |
| * | 3 | CV 6233118222 | Drain Pan Ass'y | 1 | 85402301679H2 | |
| 4 | CV 6380201150 | Insulation | | 1 | 8542140877700 | |
| 5 | CV 6231921404 | Angle flange | | 3 | 85422306262H2 | |
| * | 6 | CV 6233197135 | Thermistor Ass'y(E2) | PB2M-41E-S15-2 | 1 | 8FA0525960500 |
| 7 | CV 6230000735 | Eyelet | | 2 | 3904101500 | |
| 8 | CV 6230153431 | Plug | | 1 | 7332331312000 | |
| * | 9 | CV 6233197159 | Switch Ass'y | | 1 | 8FA0515208100 |
| * | 10 | CV 6233197142 | Fan Motor Ass'y | KFG4X-71B6P | 1 | 8FA0520218100 |
| 11 | CV 6231824729 | Drain Hose | | 1 | 8542429720700 | |
| 12 | CV 6231601320 | Insulation Special | | 1 | 8542241122310 | |
| 13 | CV 6231601344 | Insulation Special | | 1 | 8542241122210 | |
| * | 14 | CV 6231605380 | Fan Ass'y | | 2 | 8540250122830 |
| 15 | CV 6380151486 | Cushion Rubber | | 2 | 8542253417500 | |
| 16 | CV 6231921428 | Cover, Drain Pan | | 1 | 85422343163H2 | |
| * | 17 | CV 6233197197 | Motor Pump Ass'y | | 1 | 8FA0526415000 |
| * | 18 | CV 6233010823 | Heat Exch Ass'y | | 1 | 8540412458500 |
| 19 | CV 6231595223 | Cabinet Plate | | 1 | 8542110529000 | |
| * | 20 | CV 6233197180 | Circuit Board Ass'y | CR-TH2672 | 1 | 8549953605986 |
| * | 21 | CV 6233197173 | Thermistor Ass'y(TA) | KTEC-35-S85 | 1 | 8FA0525960300 |
| * | 22 | CV 6233196527 | Terminal Base | UKT50-3+15S-2J-S | 1 | 1FA4J3A048900 |
| 23 | CV 6231595278 | Top Cover | | 1 | 8542110638000 | |
| 24 | CV 6233197166 | Elec. Wiring Diagram | | 1 | 8FA2525102100 | |
| * | 25 | CV 6231921503 | Transformer Ass'y | ATR-IIK244B | 1 | 8540526320400 |
| 26 | CV 6231921497 | Mounting Plate,Evaporator | | 1 | 85422303312H2 | |
| * | 27 | CV 6231693639 | Fixed Capacitor | UP44B505JMF-B | 1 | 1FA4C1A015800 |
| 28 | CV 6380187188 | Hook Plate | | 4 | 8542113024201 | |
| 29 | CV 6380187621 | Support Motor Ass'y | | 1 | 8540251124801 | |
| 30 | CV 6230546073 | Insulation Tube | | 1 | 8522451428600 | |
| 31 | CV 6230772205 | Clip | | 1 | 8542231510301 | |
| 32 | CV 6231921480 | Mounting Plate,Evaporator | | 1 | 85422303313H2 | |
| 33 | CV 6230383425 | Bushing | OCB-875 | 1 | 8512537000900 | |
| 34 | CV 6231921510 | Mounting Plate | | 1 | 8542530918302 | |
| 35 | CV 6231605397 | Insulation, Evaporator | | 1 | 8542240430910 | |
| 36 | CV 6380187409 | Mounting Plate | | 2 | 8542530914200 | |
| 37 | CV 6380187416 | Mounting Plate | | 1 | 8542530914300 | |
| 38 | CV 6231601443 | Elec Component Box | | 1 | 8542530615900 | |
| 39 | CV 6233117591 | Support Terminal | | 1 | 8542531623701 | |
| 40 | CV 6231601450 | Blower Casing | | 2 | 8542250619210 | |

NOTE: Metal and plastic parts will be supplied basically with necessary heat insulation pads or packing. Each key number with an asterisk (*) means the recommended service parts.

ATTENTION!

To ensure correct parts supply, please let us know the following,

Part No. when you make service parts order:

1.Part No. 2.Description 3.Q'ty 4.Volts-Hz-Ph 5.Product Mode No.

S-26PF1U6
INDOOR UNIT

| KeyNo. | Part No. | Description | Model Number | Q'ty | Reference No. | |
|--------|---------------|----------------------------|---------------------------|----------------|---------------|---------------|
| 41 | CV 6231601474 | Blower Casing | | 2 | 8542250619310 | |
| 42 | CV 6380187102 | Side Panel Ass'y | | 1 | 8540110239200 | |
| 43 | CV 6380187614 | Side Panel Ass'y | | 1 | 8540110239300 | |
| 44 | CV 6231601481 | Joint Drain | | 1 | 8542233418610 | |
| 45 | CV 6380187843 | Mounting Panel | | 1 | 8542112719000 | |
| 46 | CV 6380187171 | Mounting Plate | | 2 | 8542112995100 | |
| 47 | CV 6380187805 | Partition Plate, Blower | | 1 | 8542250519100 | |
| 48 | CV 6380187683 | Support Fan Motor | | 1 | 8542251630000 | |
| 49 | CV 6380187386 | Cover, Elec. Component Box | | 1 | 8542530450300 | |
| 50 | CV 6231921527 | Insulation | | 1 | 8542140885100 | |
| 51 | CV 6231209908 | Wire Ass'y | | 1 | 8510529270200 | |
| 52 | CV 6233197210 | Insulation | | 1 | 8542140877610 | |
| * | 53 | CV 6231916783 | Fuse | MT3 5A | 2 | 1FJ4S3A003900 |
| * | 54 | CV 6233197203 | Thermistor Ass'y(E1) | PB2M-41E-S15-2 | 1 | 8FA0525960400 |
| | 55 | CV 6230965973 | Spacer | SPSN-4 | 1 | 8512536604100 |
| | 56 | CV 6230965966 | Spacer | SPLSN-4 | 2 | 8512536603700 |
| * | 57 | CV 6233196596 | Remote Control Switch | CZ-RTC2 | 1 | 8FA0005115200 |
| | 58 | CV 6230383333 | Spacer | | 2 | 8512536601200 |
| | 59 | CV 6233116839 | Packing | | 1 | 8542237026110 |
| | 60 | CV 6231485876 | Mounting Thermostat | | 2 | 8522530322401 |
| | 61 | CV 6233184937 | Mounting Plate | | 1 | 8542236193301 |
| * | 62 | CV 6233197227 | Wire Ass'y | | 1 | 8FA0528747900 |
| | 63 | CV 6233167640 | Vibration Insulation | | 2 | 8542247521100 |
| | 64 | CV 6230516977 | Screw Special | | 1 | 8522239610103 |
| | 65 | CV 6231195058 | Screw Special | | 8 | 8542135613801 |
| | | CV 6233186962 | Installation Instructions | | 1 | 8546436953201 |

NOTE: Metal and plastic parts will be supplied basically with necessary heat insulation pads or packing. Each key number with an asterisk (*) means the recommended service parts.

ATTENTION!

To ensure correct parts supply, please let us know the following,

Part No. when you make service parts order:

1.Part No. 2.Description 3.Q'ty 4.Volts-Hz-Ph 5.Product Mode No.

S-36PF1U6
INDOOR UNIT

| KeyNo. | Part No. | Description | Model Number | Q'ty | Reference No. | |
|--------|---------------|---------------------------|----------------------|------------------|---------------|---------------|
| 1 | CV 6231760560 | Cover Plate | | 1 | 8542230722000 | |
| 2 | CV 6380187355 | Mounting, Bearing | | 1 | 8542252013901 | |
| * | 3 | CV 6233118253 | Drain Pan Ass'y | 1 | 85402301680H2 | |
| 4 | CV 6380187348 | Support Fan Motor | | 1 | 8542251630600 | |
| 5 | CV 6231921404 | Angle flange | | 4 | 85422306262H2 | |
| * | 6 | CV 6233197135 | Thermistor Ass'y(E2) | PB2M-41E-S15-2 | 1 | 8FA0525960500 |
| 7 | CV 6230000735 | Eyelet | | 2 | 3904101500 | |
| 8 | CV 6380187133 | Shaft Ass'y | | 1 | 8540251811000 | |
| * | 9 | CV 6233197159 | Switch Ass'y | | 1 | 8FA0515208100 |
| * | 10 | CV 6233197234 | Fan Motor Ass'y | KFC4X-141A6P | 1 | 8FA0520218200 |
| 11 | CV 6231824729 | Drain Hose | | 1 | 8542429720700 | |
| 12 | CV 6231601320 | Insulation Special | | 1 | 8542241122310 | |
| 13 | CV 6231601344 | Insulation Special | | 1 | 8542241122210 | |
| * | 14 | CV 6231605380 | Fan Ass'y | | 3 | 8540250122830 |
| 15 | CV 6380054282 | Cushion Rubber | | 2 | 8542253416400 | |
| 16 | CV 6231921541 | Cover, Drain Pan | | 1 | 85422343164H2 | |
| * | 17 | CV 6233197197 | Motor Pump Ass'y | | 1 | 8FA0526415000 |
| * | 18 | CV 6231651592 | Heat Exch Ass'y | | 1 | 8540411999100 |
| 19 | CV 6231594806 | Cabinet Plate | | 1 | 8542110529100 | |
| * | 20 | CV 6233197180 | Circuit Board Ass'y | CR-TH2672 | 1 | 8549953605986 |
| * | 21 | CV 6233197173 | Thermistor Ass'y(TA) | KTEC-35-S85 | 1 | 8FA0525960300 |
| * | 22 | CV 6233196527 | Terminal Base | UKT50-3+15S-2J-S | 1 | 1FA4J3A048900 |
| 23 | CV 6231594837 | Top Cover | | 1 | 8542110638100 | |
| 24 | CV 6233197166 | Elec. Wiring Diagram | | 1 | 8FA2525102100 | |
| * | 25 | CV 6231921503 | Transformer Ass'y | ATR-IIK244B | 1 | 8540526320400 |
| 26 | CV 6380072026 | Boss Ass'y | | 1 | 8540251311600 | |
| * | 27 | CV 6231693639 | Fixed Capacitor | UP44B505JMF-B | 1 | 1FA4C1A015800 |
| 28 | CV 6380187188 | Hook Plate | | 4 | 8542113024201 | |
| 29 | CV 6231743181 | Support Motor Ass'y | | 1 | 85402511249H1 | |
| 30 | CV 6230546073 | Insulation Tube | | 1 | 8522451428600 | |
| 31 | CV 6230772205 | Clip | | 1 | 8542231510301 | |
| 32 | CV 6231921497 | Mounting Plate,Evaporator | | 1 | 85422303312H2 | |
| 33 | CV 6231921480 | Mounting Plate,Evaporator | | 1 | 85422303313H2 | |
| 34 | CV 6230383425 | Bushing | OCB-875 | 1 | 8512537000900 | |
| 35 | CV 6231605410 | Insulation, Evaporator | | 1 | 8542240431010 | |
| 36 | CV 6380187409 | Mounting Plate | | 2 | 8542530914200 | |
| 37 | CV 6380187416 | Mounting Plate | | 1 | 8542530914300 | |
| 38 | CV 6231601443 | Elec Component Box | | 1 | 8542530615900 | |
| 39 | CV 6233117591 | Support Terminal | | 1 | 8542531623701 | |
| 40 | CV 6231601450 | Blower Casing | | 3 | 8542250619210 | |

NOTE: Metal and plastic parts will be supplied basically with necessary heat insulation pads or packing. Each key number with an asterisk (*) means the recommended service parts.

ATTENTION!

To ensure correct parts supply, please let us know the following,

Part No. when you make service parts order:

1.Part No. 2.Description 3.Q'ty 4.Volts-Hz-Ph 5.Product Mode No.

S-36PF1U6
INDOOR UNIT

| KeyNo. | Part No. | Description | Model Number | Q'ty | Reference No. |
|--------|---------------|----------------------------|----------------|------|---------------|
| 41 | CV 6231601474 | Blower Casing | | 3 | 8542250619310 |
| 42 | CV 6380187102 | Side Panel Ass'y | | 1 | 8540110239200 |
| 43 | CV 6380187119 | Side Panel Ass'y | | 1 | 8540110239400 |
| 44 | CV 6231601481 | Joint Drain | | 1 | 8542233418610 |
| 45 | CV 6380187164 | Mounting Panel | | 1 | 8542112719100 |
| 46 | CV 6380187171 | Mounting Plate | | 2 | 8542112995100 |
| 47 | CV 6380187300 | Partition Plate, Blower | | 1 | 8542250519200 |
| 48 | CV 6380187331 | Support Fan Motor | | 1 | 8542251630100 |
| 49 | CV 6380187386 | Cover, Elec. Component Box | | 1 | 8542530450300 |
| 50 | CV 6231921510 | Mounting Plate | | 1 | 8542530918302 |
| 51 | CV 6231921527 | Insulation | | 1 | 8542140885100 |
| 52 | CV 6233197210 | Insulation | | 1 | 8542140877610 |
| * 53 | CV 6231916783 | Fuse | MT3 5A | 2 | 1FJ4S3A003900 |
| 54 | CV 6231209908 | Wire Ass'y | | 1 | 8510529270200 |
| * 55 | CV 6233197203 | Thermistor Ass'y(E1) | PB2M-41E-S15-2 | 1 | 8FA0525960400 |
| 57 | CV 6230153431 | Plug | | 1 | 7332331312000 |
| 58 | CV 6380201150 | Insulation | | 1 | 8542140877700 |
| 59 | CV 6380187263 | Mounting Plate | | 1 | 8542236149800 |
| * 60 | CV 6230944466 | Bearing Housing Ass'y | | 1 | 8520251012800 |
| 61 | CV 6230965973 | Spacer | SPSN-4 | 1 | 8512536604100 |
| 62 | CV 6230965966 | Spacer | SPLSN-4 | 2 | 8512536603700 |
| * 63 | CV 6233196596 | Remote Control Switch | CZ-RTC2 | 1 | 8FA0005115200 |
| 64 | CV 6230383333 | Spacer | | 2 | 8512536601200 |
| 65 | CV 6233116839 | Packing | | 1 | 8542237026110 |
| 66 | CV 6231485876 | Mounting Thermostat | | 2 | 8522530322401 |
| 67 | CV 6233184937 | Mounting Plate | | 1 | 8542236193301 |
| * 68 | CV 6233197227 | Wire Ass'y | | 1 | 8FA0528747900 |
| 69 | CV 6233167640 | Vibration Insulation | | 2 | 8542247521100 |
| 70 | CV 6230516977 | Screw Special | | 1 | 8522239610103 |
| 71 | CV 6231195058 | Screw Special | | 8 | 8542135613801 |
| | CV 6233186962 | Installation Instructions | | 1 | 8546436953201 |

NOTE: Metal and plastic parts will be supplied basically with necessary heat insulation pads or packing. Each key number with an asterisk (*) means the recommended service parts.