

Parts List

Panasonic

File No.

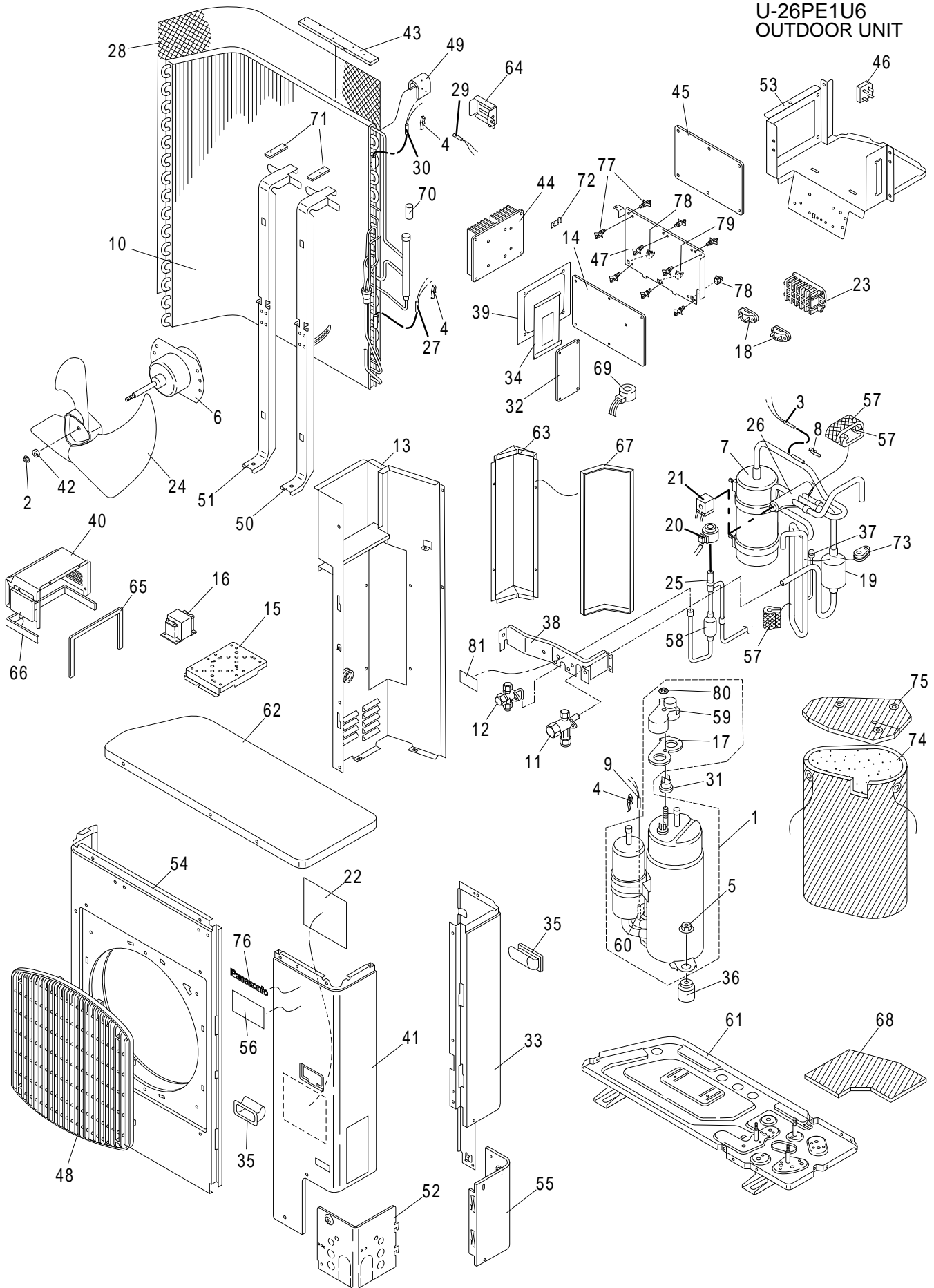
Air Conditioner

REFERENCE No.PL 834558

— CONTENTS —

	Model No.	Prod.Code	Volt-Phase-Hertz	Country of Origin	Page
OUTDOOR UNIT	U-26PE1U6	1 854 043 09	220-240-1-50/60	Made in China	1
	U-36PE1U6	1 854 043 10	220-240-1-50/60	Made in China	5
	U-42PE1U6	1 854 043 11	220-240-1-50/60	Made in China	9
	U-26PS1U6	1 854 043 12	220-240-1-50/60	Made in China	13
	U-36PS1U6	1 854 043 13	220-240-1-50/60	Made in China	17
	U-42PS1U6	1 854 043 14	220-240-1-50/60	Made in China	21
INDOOR UNIT	S-26PU1U6	1 854 042 30	208-230-1-60	Made in Japan	25
	S-36PU1U6	1 854 042 31	208-230-1-60	Made in Japan	28
	S-42PU1U6	1 854 042 32	208-230-1-60	Made in Japan	31
	S-26PK1U6	1 854 042 33	208-230-1-60	Made in China	34
	S-26PT1U6	1 854 042 38	208-230-1-60	Made in Japan	37
	S-36PT1U6	1 854 042 39	208-230-1-60	Made in Japan	40
	S-42PT1U6	1 854 042 40	208-230-1-60	Made in Japan	43
	S-26PF1U6	1 854 042 41	208-230-1-60	Made in Japan	46
	S-36PF1U6	1 854 042 42	208-230-1-60	Made in Japan	49

U-26PE1U6
OUTDOOR UNIT



ATTENTION!

To ensure correct parts supply, please let us know the following,

Part No. when you make service parts order:

1.Part No. 2.Description 3.Q'ty 4.Volts-Hz-Ph 5.Product Mode No.

U-26PE1U6
OUTDOOR UNIT

KeyNo.	Part No.	Description	Model Number	Q'ty	Reference No.
* 1	CV 6231843171	Compressor Ass'y(INV)	C-7RVN153H0U	1	8540452530000
2	CV 6380126705	Domed Cap Nuts		1	3927506010
* 3	CV 6231811897	Thermistor(TS)	DTN-C532G3H-TKS2	1	1FA4V2E030500
4	CV 6231485876	Mounting Thermostat		3	8522530322401
5	CV 6230296497	Nut Special Ass'y		3	8510239510201
* 6	CV 6231915717	Fan Motor	DAJ12-95B61A-CR	1	1FA4M4A012000
7	CV 6233189840	Accumulator Ass'y		1	8540451750200
8	CV 6231696487	Mounting Thermostat		1	8522530324801
* 9	CV 6231664141	Thermistor(TD)	DTNC583G3UTKS236	1	1FA4V2E012000
* 10	CV 6231811972	Heat Exch Ass'y		1	8540412448500
11	CV 6231811965	Valve Ass'y 5/8 in.		1	8540450628500
12	CV 6231811958	Valve Ass'y 3/8 in.		1	8540450432300
13	CV 6231915755	Partition Plate Ass'y		1	85402516321H2
* 14	CV 6231921909	Controller Ass'y	CR-CH4872R	1	8549953605286
15	CV 6231811927	Mounting Plate		1	8542236196301
* 16	CV 6231811910	Reactor	R902C2-TB	1	1FA4L5C012000
17	CV 6260401007	Gasket Terminal		1	8012530314200
18	CV 6231407595	Clip Wire		2	8522530416700
19	CV 6231849555	Muffler		1	8542451912800
* 20	CV 6231715874	Magnetic Coil(MOV)	UKV-U013E	1	1FA4L8A019700
* 21	CV 6231915779	Magnetic Coil Ass'y(20S)	STF-01AQ503UA1	1	8FA0525117600
22	CV 6231915762	Elec. Wiring Diagram		1	8FA2525771700
* 23	CV 6233027265	Terminal Base	HP-T3041-E2C6-L2	1	1FA4J3A030000
24	CV 6231736893	Propeller Fan Ass'y		1	8542253910610
* 25	CV 6231704267	Solenoid Control Valve	UKV-18D13	1	8542454815000
* 26	CV 6231915809	Reversing Valve	STF-02U2G	1	8542450819000
* 27	CV 6231664660	Thermistor(C1)	DTNC532G3HTKS232	1	1FA4V2E012100
28	CV 6231812047	Guard		1	8542111327500
* 29	CV 6231664233	Thermistor(TO)	DTNC532G3HTKS238	1	1FA4V2E011600
* 30	CV 6231812030	Thermistor(C2)	PB2M-41E-S1	1	1FA4V2E030300
* 31	CV 6231915793	Thermostat(OLR)	CS-7L110	1	4233960062
* 32	CV 6231921916	P.C.B. Ass'y	HIC-CH2672R	1	8549953605288
33	CV 6231915854	Rear Panel		1	85421103366H2
34	CV 6231915847	Sheet		1	1FA4G1A008900
35	CV 6231812115	Knob		2	85421311131H1
36	CV 6231056106	Cushion Rubber		3	8512239015600
* 37	CV 6231915830	Switch Ass'y(63PH)	ACB-4UB3002W	1	8FA0525703700
38	CV 6231812092	Support valve		1	8542412932501
39	CV 6231915823	Sheet		1	1FA4G1A008800
40	CV 6231812078	Mounting Plate Ass'y		1	8540232368701

NOTE: Metal and plastic parts will be supplied basically with necessary heat insulation pads or packing. Each key number with an asterisk (*) means the recommended service parts.

ATTENTION!

To ensure correct parts supply, please let us know the following,

Part No. when you make service parts order:

1.Part No. 2.Description 3.Q'ty 4.Volts-Hz-Ph 5.Product Mode No.

U-26PE1U6
OUTDOOR UNIT

KeyNo.	Part No.	Description	Model Number	Q'ty	Reference No.
41	CV 6231915892	Front Panel		1	85421116192H5
42	CV 6230954960	Washer Special		1	8542135513300
43	CV 6380194452	Packing		1	8542236651900
44	CV 6231915885	Cooler		1	8542532519301
* 45	CV 6231921923	P.C.B. Ass'y	FIL-CH4872R	1	8549953605287
* 46	CV 4070037003	Diode	DBA250G	1	DDDBA250G---N
47	CV 6231812023	Elec. Component Box		1	8542530625901
48	CV 6231915861	Guard		1	8542111321912
49	CV 6231813044	Packing		1	8542236672100
50	CV 6231812214	Base Ass'y, Fan Motor		1	8540250721201
51	CV 6231812207	Support Fan Motor		1	8542251638501
52	CV 6233135168	Cover Plate		1	8542234287423
53	CV 6231812016	Elec. Component Box Ass'y		1	8540531101601
54	CV 6231915922	Front Panel		1	8542111619112
55	CV 6233135175	Cover Plate		1	8542113343223
56	CV 6233189857	Badge		1	8542135433500
57	CV 6230529359	Vibration Insulation		3	8522247515400
58	CV 6231018968	Strainer Ass'y		1	8540452213100
59	CV 6230957985	Cover Terminal		1	8012619413400
60	CV 6231250184	Mounting Thermostat		1	8522530317700
61	CV 6233189864	Bottom Plate Ass'y		1	8540220458803
62	CV 6231915984	Top Panel		1	85421112394H3
63	CV 6231812252	Mounting Plate Ass'y		1	8540232368601
64	CV 6231915960	Mounting Plate		1	8542530922411
65	CV 6231921947	Packing		1	8542236671710
66	CV 6231921930	Packing		1	8542236672310
67	CV 6231812962	Packing		1	8542236671600
68	CV 6231693585	Sound Insulation Compressor		1	8542242225800
* 69	CV 6231916011	Transformer Ass'y	CL-9	1	8FA0526304400
70	CV 6231708364	Insulation Special		1	8542241133100
71	CV 6231885447	Packing		2	8542236670300
72	CV 6231916004	Mounting Plate		1	8542236206801
73	CV 6231916035	Protection Rubber		1	8542235618300
74	CV 6231812221	Sound Insulation Compressor		1	8542242235100
75	CV 6231812108	Sound Insulation Compressor		1	8542242235000
76	CV 6233162478	Badge		1	8542135433001
77	CV 6230971677	Spacer	SPLSN-6	9	8512536603800
78	CV 6230964068	Spacer	#616	2	8512536603300
79	CV 6231927949	Spacer	2196	1	8512536607600
80	CV 6260400888	Nut 5mm		1	8012830510100

NOTE: Metal and plastic parts will be supplied basically with necessary heat insulation pads or packing. Each key number with an asterisk (*) means the recommended service parts.

ATTENTION!

To ensure correct parts supply, please let us know the following,

Part No. when you make service parts order:

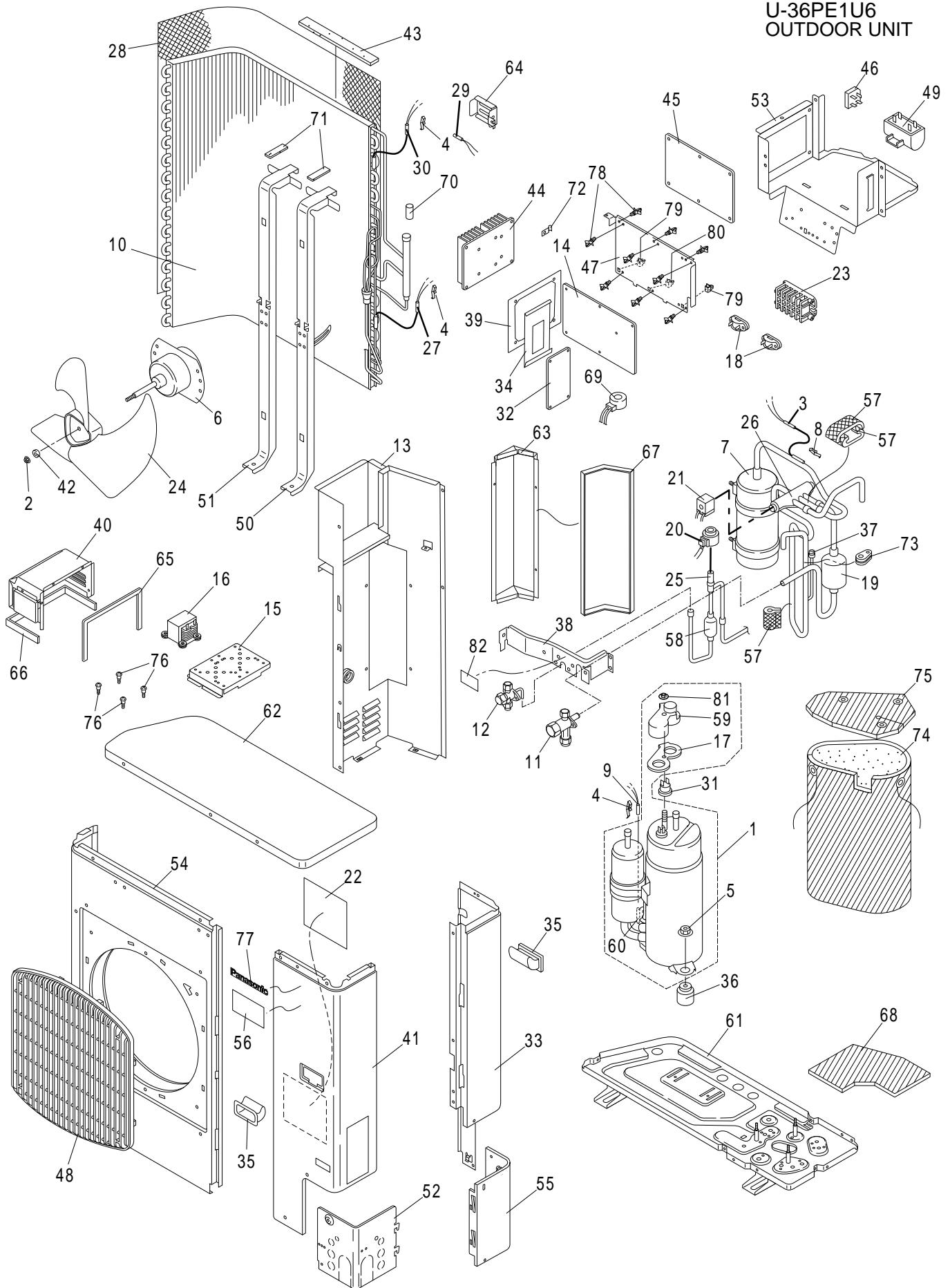
U-26PE1U6
OUTDOOR UNIT

1.Part No. 2.Description 3.Q'ty 4.Volts-Hz-Ph 5.Product Mode No.

KeyNo.	Part No.	Description	Model Number	Q'ty	Reference No.
81	CV 6233193526	Caution Label		1	8546575950500
	CV 6233186900	Operation Manual		1	8546460916302
	CV 6233186979	Installation Instructions		1	8546436953102

NOTE: Metal and plastic parts will be supplied basically with necessary heat insulation pads or packing. Each key number with an asterisk (*) means the recommended service parts.

U-36PE1U6
OUTDOOR UNIT



ATTENTION!

To ensure correct parts supply, please let us know the following,

Part No. when you make service parts order:

1.Part No. 2.Description 3.Q'ty 4.Volts-Hz-Ph 5.Product Mode No.

U-36PE1U6
OUTDOOR UNIT

KeyNo.	Part No.	Description	Model Number	Q'ty	Reference No.
* 1	CV 6231843171	Compressor Ass'y(INV)	C-7RVN153H0U	1	8540452530000
2	CV 6380126705	Domed Cap Nuts		1	3927506010
* 3	CV 6231811897	Thermistor(TS)	DTN-C532G3H-TKS2	1	1FA4V2E030500
4	CV 6231485876	Mounting Thermostat		3	8522530322401
5	CV 6230296497	Nut Special Ass'y		3	8510239510201
* 6	CV 6231915717	Fan Motor	DAJ12-95B61A-CR	1	1FA4M4A012000
7	CV 6233189840	Accumulator Ass'y		1	8540451750200
8	CV 6231696487	Mounting Thermostat		1	8522530324801
* 9	CV 6231664141	Thermistor(TD)	DTNC583G3UTKS236	1	1FA4V2E012000
* 10	CV 6231812283	Heat Exch Ass'y		1	8540412449100
11	CV 6231811965	Valve Ass'y 5/8 in.		1	8540450628500
12	CV 6231811958	Valve Ass'y 3/8 in.		1	8540450432300
13	CV 6231915755	Partition Plate Ass'y		1	85402516321H2
* 14	CV 6231921909	Controller Ass'y	CR-CH4872R	1	8549953605286
15	CV 6231811927	Mounting Plate		1	8542236196301
* 16	CV 6231812269	Reactor	R502AH14-T23	1	1FA4L5C011900
17	CV 6260401007	Gasket Terminal		1	8012530314200
18	CV 6231407595	Clip Wire		2	8522530416700
19	CV 6231849555	Muffler		1	8542451912800
* 20	CV 6231715874	Magnetic Coil(MOV)	UKV-U013E	1	1FA4L8A019700
* 21	CV 6231915779	Magnetic Coil Ass'y(20S)	STF-01AQ503UA1	1	8FA0525117600
22	CV 6231916042	Elec. Wiring Diagram		1	8FA2525771800
* 23	CV 6233027265	Terminal Base	HP-T3041-E2C6-L2	1	1FA4J3A030000
24	CV 6231736893	Propeller Fan Ass'y		1	8542253910610
* 25	CV 6231704267	Solenoid Control Valve	UKV-18D13	1	8542454815000
* 26	CV 6231915809	Reversing Valve	STF-02U2G	1	8542450819000
* 27	CV 6231664660	Thermistor(C1)	DTNC532G3HTKS232	1	1FA4V2E012100
28	CV 6231812047	Guard		1	8542111327500
* 29	CV 6231664233	Thermistor(TO)	DTNC532G3HTKS238	1	1FA4V2E011600
* 30	CV 6231812030	Thermistor(C2)	PB2M-41E-S1	1	1FA4V2E030300
* 31	CV 6231915793	Thermostat(OLR)	CS-7L110	1	4233960062
* 32	CV 6231921916	P.C.B. Ass'y	HIC-CH2672R	1	8549953605288
33	CV 6231915854	Rear Panel		1	85421103366H2
34	CV 6231915847	Sheet		1	1FA4G1A008900
35	CV 6231812115	Knob		2	85421311131H1
36	CV 6231056106	Cushion Rubber		3	8512239015600
* 37	CV 6231915830	Switch Ass'y(63PH)	ACB-4UB3002W	1	8FA0525703700
38	CV 6231812092	Support valve		1	8542412932501
39	CV 6231915823	Sheet		1	1FA4G1A008800
40	CV 6231812078	Mounting Plate Ass'y		1	8540232368701

NOTE: Metal and plastic parts will be supplied basically with necessary heat insulation pads or packing. Each key number with an asterisk (*) means the recommended service parts.

ATTENTION!

To ensure correct parts supply, please let us know the following,

Part No. when you make service parts order:

1.Part No. 2.Description 3.Q'ty 4.Volts-Hz-Ph 5.Product Mode No.

U-36PE1U6
OUTDOOR UNIT

KeyNo.	Part No.	Description	Model Number	Q'ty	Reference No.	
41	CV 6231915892	Front Panel		1	85421116192H5	
42	CV 6230954960	Washer Special		1	8542135513300	
43	CV 6380194452	Packing		1	8542236651900	
44	CV 6231915885	Cooler		1	8542532519301	
*	45	CV 6231921923	P.C.B. Ass'y	FIL-CH4872R	1	8549953605287
*	46	CV 4070037003	Diode	DBA250G	1	DDDBA250G---N
47	CV 6231812023	Elec. Component Box		1	8542530625901	
48	CV 6231915861	Guard		1	8542111321912	
*	49	CV 6231812320	Fixed Capacitor	RU23B406R2396X	1	1FA4C1A009200
50	CV 6231812313	Base Ass'y, Fan Motor		1	8540250721301	
51	CV 6231812306	Support Fan Motor		1	8542251638601	
52	CV 6233135168	Cover Plate		1	8542234287423	
53	CV 6231812016	Elec. Component Box Ass'y		1	8540531101601	
54	CV 6231915922	Front Panel		1	8542111619112	
55	CV 6233135175	Cover Plate		1	8542113343223	
56	CV 6233189857	Badge		1	8542135433500	
57	CV 6230529359	Vibration Insulation		3	8522247515400	
58	CV 6231018968	Strainer Ass'y		1	8540452213100	
59	CV 6230957985	Cover Terminal		1	8012619413400	
60	CV 6231250184	Mounting Thermostat		1	8522530317700	
61	CV 6233189864	Bottom Plate Ass'y		1	8540220458803	
62	CV 6231915984	Top Panel		1	85421112394H3	
63	CV 6231812252	Mounting Plate Ass'y		1	8540232368601	
64	CV 6231915960	Mounting Plate		1	8542530922411	
65	CV 6231921947	Packing		1	8542236671710	
66	CV 6231921930	Packing		1	8542236672310	
67	CV 6231812962	Packing		1	8542236671600	
68	CV 6231693585	Sound Insulation Compressor		1	8542242225800	
*	69	CV 6231916011	Transformer Ass'y	CL-9	1	8FA0526304400
70	CV 6231708364	Insulation Special		1	8542241133100	
71	CV 6231885447	Packing		2	8542236670300	
72	CV 6231916004	Mounting Plate		1	8542236206801	
73	CV 6231916035	Protection Rubber		1	8542235618300	
74	CV 6231812221	Sound Insulation Compressor		1	8542242235100	
75	CV 6231812108	Sound Insulation Compressor		1	8542242235000	
76	CV 6231638074	Screw Special		4	8522239615401	
77	CV 6233162478	Badge		1	8542135433001	
78	CV 6230971677	Spacer	SPLSN-6	9	8512536603800	
79	CV 6230964068	Spacer	#616	2	8512536603300	
80	CV 6231927949	Spacer	2196	1	8512536607600	

NOTE: Metal and plastic parts will be supplied basically with necessary heat insulation pads or packing. Each key number with an asterisk (*) means the recommended service parts.

ATTENTION!

To ensure correct parts supply, please let us know the following,

Part No. when you make service parts order:

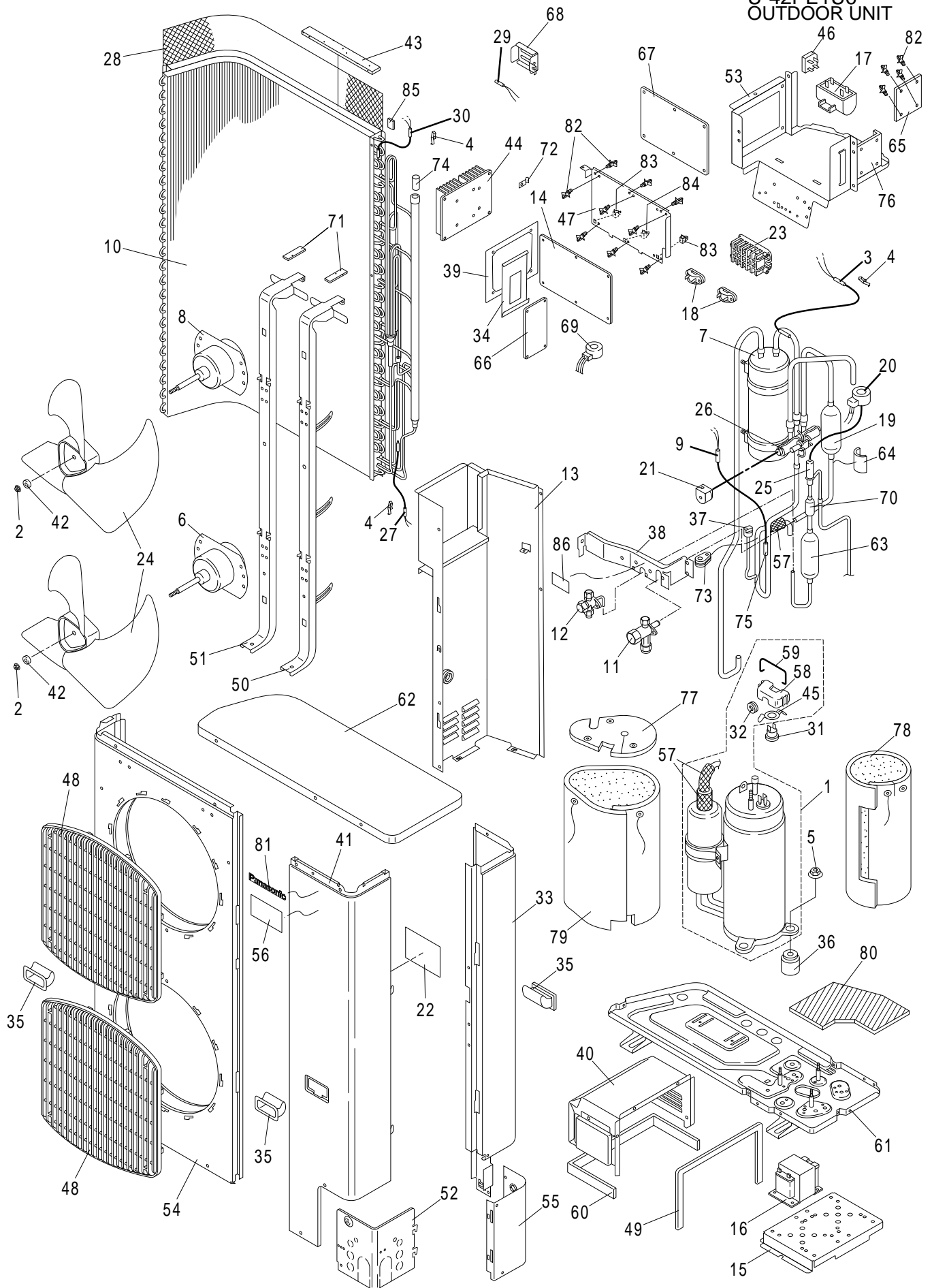
U-36PE1U6
OUTDOOR UNIT

1.Part No. 2.Description 3.Q'ty 4.Volts-Hz-Ph 5.Product Mode No.

KeyNo.	Part No.	Description	Model Number	Q'ty	Reference No.
81	CV 6260400888	Nut 5mm		1	8012830510100
82	CV 6233193526	Caution Label		1	8546575950500
	CV 6233186900	Operation Manual		1	8546460916302
	CV 6233186979	Installation Instructions		1	8546436953102

NOTE: Metal and plastic parts will be supplied basically with necessary heat insulation pads or packing.
Each key number with an asterisk (*) means the recommended service parts.

U-42PE1U6 OUTDOOR UNIT



ATTENTION!

To ensure correct parts supply, please let us know the following,

Part No. when you make service parts order:

1.Part No. 2.Description 3.Q'ty 4.Volts-Hz-Ph 5.Product Mode No.

U-42PE1U6
OUTDOOR UNIT

KeyNo.	Part No.	Description	Model Number	Q'ty	Reference No.
* 1	CV 6231843188	Compressor Ass'y(INV)	C-9RVN273H0W	1	8540452530100
2	CV 6380126705	Domed Cap Nuts		2	3927506010
* 3	CV 6231664158	Thermistor(TS)		1	1FA4V2E011900
4	CV 6231485876	Mounting Thermostat		3	8522530322401
5	CV 6230296497	Nut Special Ass'y		3	8510239510201
* 6	CV 6231915717	Fan Motor	DAJ12-95B61A-CR	1	1FA4M4A012000
7	CV 6233113593	Accumulator Ass'y		1	8540451753101
* 8	CV 6231916073	Fan Motor	DAJ12-95B61B-CR	1	1FA4M4A012100
* 9	CV 6231664141	Thermistor(TD)	DTNC583G3UTKS236	1	1FA4V2E012000
* 10	CV 6231812382	Heat Exch Ass'y		1	8540412449200
11	CV 6231811965	Valve Ass'y 5/8 in.		1	8540450628500
12	CV 6231811958	Valve Ass'y 3/8 in.		1	8540450432300
13	CV 6231916080	Partition Plate Ass'y		1	85402516322H2
* 14	CV 6231921909	Controller Ass'y	CR-CH4872R	1	8549953605286
15	CV 6231811927	Mounting Plate		1	8542236196301
* 16	CV 6231709729	Reactor	R202AB	1	1FA4L5C004600
* 17	CV 6231527347	Fixed Capacitor	RU23B606R2398X	1	1FA4C1A009400
18	CV 6231407595	Clip Wire		2	8522530416700
19	CV 6231849579	Muffler		1	8542451918400
* 20	CV 6231715874	Magnetic Coil(MOV)	UKV-U013E	1	1FA4L8A019700
* 21	CV 6231915779	Magnetic Coil Ass'y(20S)	STF-01AQ503UA1	1	8FA0525117600
22	CV 6231916097	Elec. Wiring Diagram		1	8FA2525771900
* 23	CV 6233027265	Terminal Base	HP-T3041-E2C6-L2	1	1FA4J3A030000
24	CV 6231736893	Propeller Fan Ass'y		2	8542253910610
* 25	CV 6231704144	Solenoid Control Valve	UKV-25D	1	8542454814900
* 26	CV 6231916103	Reversing Valve	STF-04U1G	1	8542450819100
* 27	CV 6231812603	Thermistor(C1)	DTN-C532G3H-TKS2	1	1FA4V2E030800
28	CV 6231104517	Guard		1	8542111316700
* 29	CV 6231664233	Thermistor(TO)	DTNC532G3HTKS238	1	1FA4V2E011600
* 30	CV 6231664165	Thermistor(C2)	DTNC532G3HTKS233	1	1FA4V2E011800
* 31	CV 6231915793	Thermostat(OLR)	CS-7L110	1	4233960062
32	CV 6231695190	Eyelet Rubber Lead Wire		1	8012530412600
33	CV 6231916110	Rear Panel		1	85421103367H2
34	CV 6231915847	Sheet		1	1FA4G1A008900
35	CV 6231812115	Knob		3	85421311131H1
36	CV 6231450577	Cushion Rubber		3	8192692010700
* 37	CV 6231915830	Switch Ass'y(63PH)	ACB-4UB3002W	1	8FA0525703700
38	CV 6231812092	Support valve		1	8542412932501
39	CV 6231915823	Sheet		1	1FA4G1A008800
40	CV 6231812078	Mounting Plate Ass'y		1	8540232368701

NOTE: Metal and plastic parts will be supplied basically with necessary heat insulation pads or packing. Each key number with an asterisk (*) means the recommended service parts.

ATTENTION!

To ensure correct parts supply, please let us know the following,

Part No. when you make service parts order:

1.Part No. 2.Description 3.Q'ty 4.Volts-Hz-Ph 5.Product Mode No.

U-42PE1U6
OUTDOOR UNIT

KeyNo.	Part No.	Description	Model Number	Q'ty	Reference No.
41	CV 6233190310	Front Panel		1	85421116278H4
42	CV 6230954960	Washer Special		2	8542135513300
43	CV 6380194452	Packing		1	8542236651900
44	CV 6231915885	Cooler		1	8542532519301
45	CV 6260400222	Plate Protector		1	8012530212500
* 46	CV 4070037003	Diode	DBA250G	1	DDDBA250G---N
47	CV 6231812023	Elec. Component Box		1	8542530625901
48	CV 6231915861	Guard		2	8542111321912
49	CV 6231921947	Packing		1	8542236671710
50	CV 6231812498	Base Ass'y, Fan Motor		1	8540250721401
51	CV 6231812481	Support Fan Motor		1	8542251632501
52	CV 6233135168	Cover Plate		1	8542234287423
53	CV 6231812016	Elec. Component Box Ass'y		1	8540531101601
54	CV 6233190327	Front Panel		1	8542110199713
55	CV 6233135175	Cover Plate		1	8542113343223
56	CV 6233189857	Badge		1	8542135433500
57	CV 6230529359	Vibration Insulation		3	8522247515400
58	CV 6260400826	Cap Terminal Cover		1	8012619510700
59	CV 6260400512	Clip		1	8012534010500
60	CV 6231921930	Packing		1	8542236672310
61	CV 6233190334	Bottom Plate Ass'y		1	8540220458903
62	CV 6231915984	Top Panel		1	85421112394H3
63	CV 6231812511	Muffler		1	8542451918200
64	CV 6380055487	Mounting Rubber, Tube		1	8542431526800
* 65	CV 6231921961	P.C.B. Ass'y	CR-FAN4872R	1	8549953605290
* 66	CV 6231921954	P.C.B. Ass'y	HIC-CH4872R	1	8549953605289
* 67	CV 6231921923	P.C.B. Ass'y	FIL-CH4872R	1	8549953605287
68	CV 6231915960	Mounting Plate		1	8542530922411
* 69	CV 6231916011	Transformer Ass'y	CL-9	1	8FA0526304400
70	CV 6231018968	Strainer Ass'y		1	8540452213100
71	CV 6231885447	Packing		2	8542236670300
72	CV 6231916004	Mounting Plate		1	8542236206801
73	CV 6231916196	Protection Rubber		1	8542235618400
74	CV 6231708364	Insulation Special		1	8542241133100
75	CV 6231250184	Mounting Thermostat		1	8522530317700
76	CV 6231812412	Elec. Component Box		1	8542530626001
77	CV 6231812436	Sound Insulation Compressor		1	8542242235700
78	CV 6231812528	Sound Insulation Compressor		1	8542242235800
79	CV 6231812504	Sound Insulation Compressor		1	8542242235900
80	CV 6231695213	Sound Insulation Compressor		1	8542242226500

NOTE: Metal and plastic parts will be supplied basically with necessary heat insulation pads or packing. Each key number with an asterisk (*) means the recommended service parts.

ATTENTION!

To ensure correct parts supply, please let us know the following,

Part No. when you make service parts order:

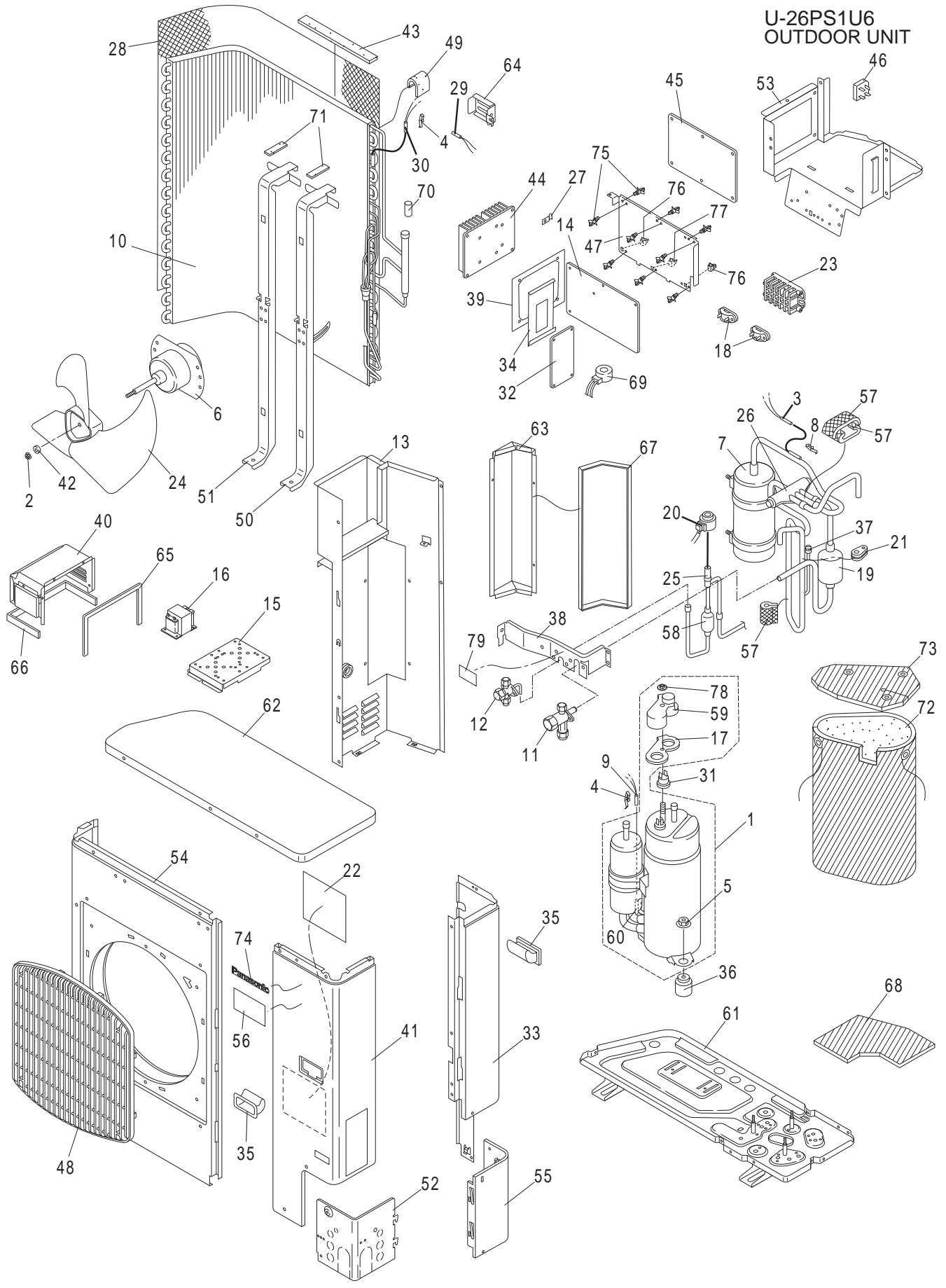
1.Part No. 2.Description 3.Q'ty 4.Volts-Hz-Ph 5.Product Mode No.

U-42PE1U6
OUTDOOR UNIT

KeyNo.	Part No.	Description	Model Number	Q'ty	Reference No.
81	CV 6233162478	Badge		1	8542135433001
82	CV 6230971677	Spacer	SPLSN-6	13	8512536603800
83	CV 6230964068	Spacer	#616	2	8512536603300
84	CV 6231927949	Spacer	2196	1	8512536607600
85	CV 6233190341	Packing		1	8542237023200
86	CV 6233193526	Caution Label		1	8546575950500
	CV 6233186900	Operation Manual		1	8546460916302
	CV 6233186979	Installation Instructions		1	8546436953102

NOTE: Metal and plastic parts will be supplied basically with necessary heat insulation pads or packing. Each key number with an asterisk (*) means the recommended service parts.

U-26PS1U6
OUTDOOR UNIT



ATTENTION!

To ensure correct parts supply, please let us know the following,

Part No. when you make service parts order:

1.Part No. 2.Description 3.Q'ty 4.Volts-Hz-Ph 5.Product Mode No.

U-26PS1U6
OUTDOOR UNIT

KeyNo.	Part No.	Description	Model Number	Q'ty	Reference No.
* 1	CV 6231843171	Compressor Ass'y(INV)	C-7RVN153H0U	1	8540452530000
2	CV 6380126705	Domed Cap Nuts		1	3927506010
* 3	CV 6231811897	Thermistor(TS)	DTN-C532G3H-TKS2	1	1FA4V2E030500
4	CV 6231485876	Mounting Thermostat		2	8522530322401
5	CV 6230296497	Nut Special Ass'y		3	8510239510201
* 6	CV 6231915717	Fan Motor	DAJ12-95B61A-CR	1	1FA4M4A012000
7	CV 6233189840	Accumulator Ass'y		1	8540451750200
8	CV 6231696487	Mounting Thermostat		1	8522530324801
* 9	CV 6231664141	Thermistor(TD)	DTNC583G3UTKS236	1	1FA4V2E012000
* 10	CV 6231811972	Heat Exch Ass'y		1	8540412448500
11	CV 6231811965	Valve Ass'y 5/8 in.		1	8540450628500
12	CV 6231811958	Valve Ass'y 3/8 in.		1	8540450432300
13	CV 6231915755	Partition Plate Ass'y		1	85402516321H2
* 14	CV 6231921909	Controller Ass'y	CR-CH4872R	1	8549953605286
15	CV 6231811927	Mounting Plate		1	8542236196301
* 16	CV 6231811910	Reactor	R902C2-TB	1	1FA4L5C012000
17	CV 6260401007	Gasket Terminal		1	8012530314200
18	CV 6231407595	Clip Wire		2	8522530416700
19	CV 6231849555	Muffler		1	8542451912800
* 20	CV 6231715874	Magnetic Coil(MOV)	UKV-U013E	1	1FA4L8A019700
21	CV 6231916035	Protection Rubber		1	8542235618300
22	CV 6231922074	Elec. Wiring Diagram		1	8FA2525772900
* 23	CV 6233027265	Terminal Base	HP-T3041-E2C6-L2	1	1FA4J3A030000
24	CV 6231736893	Propeller Fan Ass'y		1	8542253910610
* 25	CV 6231704267	Solenoid Control Valve	UKV-18D13	1	8542454815000
* 26	CV 6231915809	Reversing Valve	STF-02U2G	1	8542450819000
27	CV 6231916004	Mounting Plate		1	8542236206801
28	CV 6231812047	Guard		1	8542111327500
* 29	CV 6231664233	Thermistor(TO)	DTNC532G3HTKS238	1	1FA4V2E011600
* 30	CV 6231812030	Thermistor(C2)	PB2M-41E-S1	1	1FA4V2E030300
* 31	CV 6231915793	Thermostat(OLR)	CS-7L110	1	4233960062
* 32	CV 6231921916	P.C.B. Ass'y	HIC-CH2672R	1	8549953605288
33	CV 6231915854	Rear Panel		1	85421103366H2
34	CV 6231915847	Sheet		1	1FA4G1A008900
35	CV 6231812115	Knob		2	85421311131H1
36	CV 6231056106	Cushion Rubber		3	8512239015600
* 37	CV 6231915830	Switch Ass'y(63PH)	ACB-4UB3002W	1	8FA0525703700
38	CV 6231812092	Support valve		1	8542412932501
39	CV 6231915823	Sheet		1	1FA4G1A008800
40	CV 6231812078	Mounting Plate Ass'y		1	8540232368701

NOTE: Metal and plastic parts will be supplied basically with necessary heat insulation pads or packing. Each key number with an asterisk (*) means the recommended service parts.

ATTENTION!

To ensure correct parts supply, please let us know the following,

Part No. when you make service parts order:

1.Part No. 2.Description 3.Q'ty 4.Volts-Hz-Ph 5.Product Mode No.

U-26PS1U6
OUTDOOR UNIT

KeyNo.	Part No.	Description	Model Number	Q'ty	Reference No.	
41	CV 6231915892	Front Panel		1	85421116192H5	
42	CV 6230954960	Washer Special		1	8542135513300	
43	CV 6380194452	Packing		1	8542236651900	
44	CV 6231915885	Cooler		1	8542532519301	
*	45	CV 6231921923	P.C.B. Ass'y	FIL-CH4872R	1	8549953605287
*	46	CV 4070037003	Diode	DBA250G	1	DDDBA250G---N
47	CV 6231812023	Elec. Component Box		1	8542530625901	
48	CV 6231915861	Guard		1	8542111321912	
49	CV 6231813044	Packing		1	8542236672100	
50	CV 6231812214	Base Ass'y, Fan Motor		1	8540250721201	
51	CV 6231812207	Support Fan Motor		1	8542251638501	
52	CV 6233135168	Cover Plate		1	8542234287423	
53	CV 6231812016	Elec. Component Box Ass'y		1	8540531101601	
54	CV 6231915922	Front Panel		1	8542111619112	
55	CV 6233135175	Cover Plate		1	8542113343223	
56	CV 6233189857	Badge		1	8542135433500	
57	CV 6230529359	Vibration Insulation		3	8522247515400	
58	CV 6231018968	Strainer Ass'y		1	8540452213100	
59	CV 6230957985	Cover Terminal		1	8012619413400	
60	CV 6231250184	Mounting Thermostat		1	8522530317700	
61	CV 6233189864	Bottom Plate Ass'y		1	8540220458803	
62	CV 6231915984	Top Panel		1	85421112394H3	
63	CV 6231812252	Mounting Plate Ass'y		1	8540232368601	
64	CV 6231915960	Mounting Plate		1	8542530922411	
65	CV 6231921947	Packing		1	8542236671710	
66	CV 6231921930	Packing		1	8542236672310	
67	CV 6231812962	Packing		1	8542236671600	
68	CV 6231693585	Sound Insulation Compressor		1	8542242225800	
*	69	CV 6231916011	Transformer Ass'y	CL-9	1	8FA0526304400
70	CV 6231708364	Insulation Special		1	8542241133100	
71	CV 6231885447	Packing		2	8542236670300	
72	CV 6231812221	Sound Insulation Compressor		1	8542242235100	
73	CV 6231812108	Sound Insulation Compressor		1	8542242235000	
74	CV 6233162478	Badge		1	8542135433001	
75	CV 6230971677	Spacer	SPLSN-6	9	8512536603800	
76	CV 6230964068	Spacer	#616	2	8512536603300	
77	CV 6231927949	Spacer	2196	1	8512536607600	
78	CV 6260400888	Nut 5mm		1	8012830510100	
79	CV 6233193526	Caution Label		1	8546575950500	
	CV 6233186900	Operation Manual		1	8546460916302	

NOTE: Metal and plastic parts will be supplied basically with necessary heat insulation pads or packing. Each key number with an asterisk (*) means the recommended service parts.

ATTENTION!

To ensure correct parts supply, please let us know the following,

Part No. when you make service parts order:

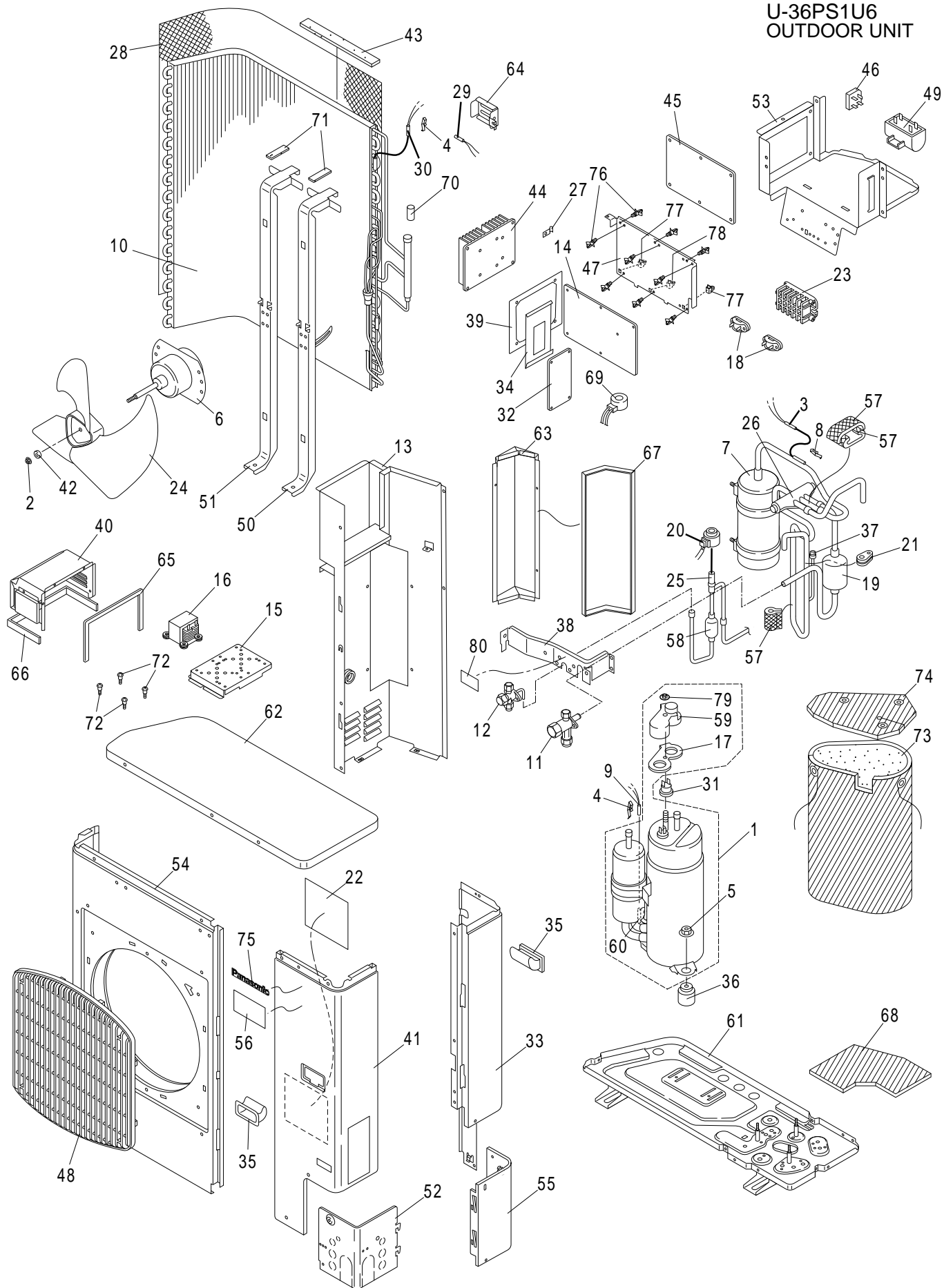
1.Part No. 2.Description 3.Q'ty 4.Volts-Hz-Ph 5.Product Mode No.

U-26PS1U6
OUTDOOR UNIT

KeyNo.	Part No.	Description	Model Number	Q'ty	Reference No.
	CV 6233186979	Installation Instructions		1	8546436953102

NOTE: Metal and plastic parts will be supplied basically with necessary heat insulation pads or packing. Each key number with an asterisk (*) means the recommended service parts.

U-36PS1U6
OUTDOOR UNIT



ATTENTION!

To ensure correct parts supply, please let us know the following,

Part No. when you make service parts order:

1.Part No. 2.Description 3.Q'ty 4.Volts-Hz-Ph 5.Product Mode No.

U-36PS1U6
OUTDOOR UNIT

KeyNo.	Part No.	Description	Model Number	Q'ty	Reference No.
* 1	CV 6231843171	Compressor Ass'y(INV)	C-7RVN153H0U	1	8540452530000
2	CV 6380126705	Domed Cap Nuts		1	3927506010
* 3	CV 6231811897	Thermistor(TS)	DTN-C532G3H-TKS2	1	1FA4V2E030500
4	CV 6231485876	Mounting Thermostat		2	8522530322401
5	CV 6230296497	Nut Special Ass'y		3	8510239510201
* 6	CV 6231915717	Fan Motor	DAJ12-95B61A-CR	1	1FA4M4A012000
7	CV 6233189840	Accumulator Ass'y		1	8540451750200
8	CV 6231696487	Mounting Thermostat		1	8522530324801
* 9	CV 6231664141	Thermistor(TD)	DTNC583G3UTKS236	1	1FA4V2E012000
* 10	CV 6231812283	Heat Exch Ass'y		1	8540412449100
11	CV 6231811965	Valve Ass'y 5/8 in.		1	8540450628500
12	CV 6231811958	Valve Ass'y 3/8 in.		1	8540450432300
13	CV 6231915755	Partition Plate Ass'y		1	85402516321H2
* 14	CV 6231921909	Controller Ass'y	CR-CH4872R	1	8549953605286
15	CV 6231811927	Mounting Plate		1	8542236196301
* 16	CV 6231812269	Reactor	R502AH14-T23	1	1FA4L5C011900
17	CV 6260401007	Gasket Terminal		1	8012530314200
18	CV 6231407595	Clip Wire		2	8522530416700
19	CV 6231849555	Muffler		1	8542451912800
* 20	CV 6231715874	Magnetic Coil(MOV)	UKV-U013E	1	1FA4L8A019700
21	CV 6231916035	Protection Rubber		1	8542235618300
22	CV 6231922081	Elec. Wiring Diagram		1	8FA2525773000
* 23	CV 6233027265	Terminal Base	HP-T3041-E2C6-L2	1	1FA4J3A030000
24	CV 6231736893	Propeller Fan Ass'y		1	8542253910610
* 25	CV 6231704267	Solenoid Control Valve	UKV-18D13	1	8542454815000
* 26	CV 6231915809	Reversing Valve	STF-02U2G	1	8542450819000
27	CV 6231916004	Mounting Plate		1	8542236206801
28	CV 6231812047	Guard		1	8542111327500
* 29	CV 6231664233	Thermistor(TO)	DTNC532G3HTKS238	1	1FA4V2E011600
* 30	CV 6231812030	Thermistor(C2)	PB2M-41E-S1	1	1FA4V2E030300
* 31	CV 6231915793	Thermostat(OLR)	CS-7L110	1	4233960062
* 32	CV 6231921916	P.C.B. Ass'y	HIC-CH2672R	1	8549953605288
33	CV 6231915854	Rear Panel		1	85421103366H2
34	CV 6231915847	Sheet		1	1FA4G1A008900
35	CV 6231812115	Knob		2	85421311131H1
36	CV 6231056106	Cushion Rubber		3	8512239015600
* 37	CV 6231915830	Switch Ass'y(63PH)	ACB-4UB3002W	1	8FA0525703700
38	CV 6231812092	Support valve		1	8542412932501
39	CV 6231915823	Sheet		1	1FA4G1A008800
40	CV 6231812078	Mounting Plate Ass'y		1	8540232368701

NOTE: Metal and plastic parts will be supplied basically with necessary heat insulation pads or packing. Each key number with an asterisk (*) means the recommended service parts.

ATTENTION!

To ensure correct parts supply, please let us know the following,

Part No. when you make service parts order:

1.Part No. 2.Description 3.Q'ty 4.Volts-Hz-Ph 5.Product Mode No.

U-36PS1U6
OUTDOOR UNIT

KeyNo.	Part No.	Description	Model Number	Q'ty	Reference No.	
41	CV 6231915892	Front Panel		1	85421116192H5	
42	CV 6230954960	Washer Special		1	8542135513300	
43	CV 6380194452	Packing		1	8542236651900	
44	CV 6231915885	Cooler		1	8542532519301	
*	45	CV 6231921923	P.C.B. Ass'y	FIL-CH4872R	1	8549953605287
*	46	CV 4070037003	Diode	DBA250G	1	DDDBA250G---N
47	CV 6231812023	Elec. Component Box		1	8542530625901	
48	CV 6231915861	Guard		1	8542111321912	
*	49	CV 6231812320	Fixed Capacitor	RU23B406R2396X	1	1FA4C1A009200
50	CV 6231812313	Base Ass'y, Fan Motor		1	8540250721301	
51	CV 6231812306	Support Fan Motor		1	8542251638601	
52	CV 6233135168	Cover Plate		1	8542234287423	
53	CV 6231812016	Elec. Component Box Ass'y		1	8540531101601	
54	CV 6231915922	Front Panel		1	8542111619112	
55	CV 6233135175	Cover Plate		1	8542113343223	
56	CV 6233189857	Badge		1	8542135433500	
57	CV 6230529359	Vibration Insulation		3	8522247515400	
58	CV 6231018968	Strainer Ass'y		1	8540452213100	
59	CV 6230957985	Cover Terminal		1	8012619413400	
60	CV 6231250184	Mounting Thermostat		1	8522530317700	
61	CV 6233189864	Bottom Plate Ass'y		1	8540220458803	
62	CV 6231915984	Top Panel		1	85421112394H3	
63	CV 6231812252	Mounting Plate Ass'y		1	8540232368601	
64	CV 6231915960	Mounting Plate		1	8542530922411	
65	CV 6231921947	Packing		1	8542236671710	
66	CV 6231921930	Packing		1	8542236672310	
67	CV 6231812962	Packing		1	8542236671600	
68	CV 6231693585	Sound Insulation Compressor		1	8542242225800	
*	69	CV 6231916011	Transformer Ass'y	CL-9	1	8FA0526304400
70	CV 6231708364	Insulation Special		1	8542241133100	
71	CV 6231885447	Packing		2	8542236670300	
72	CV 6231638074	Screw Special		4	8522239615401	
73	CV 6231812221	Sound Insulation Compressor		1	8542242235100	
74	CV 6231812108	Sound Insulation Compressor		1	8542242235000	
75	CV 6233162478	Badge		1	8542135433001	
76	CV 6230971677	Spacer	SPLSN-6	9	8512536603800	
77	CV 6230964068	Spacer	#616	2	8512536603300	
78	CV 6231927949	Spacer	2196	1	8512536607600	
79	CV 6260400888	Nut 5mm		1	8012830510100	
80	CV 6233193526	Caution Label		1	8546575950500	

NOTE: Metal and plastic parts will be supplied basically with necessary heat insulation pads or packing. Each key number with an asterisk (*) means the recommended service parts.

ATTENTION!

To ensure correct parts supply, please let us know the following,

Part No. when you make service parts order:

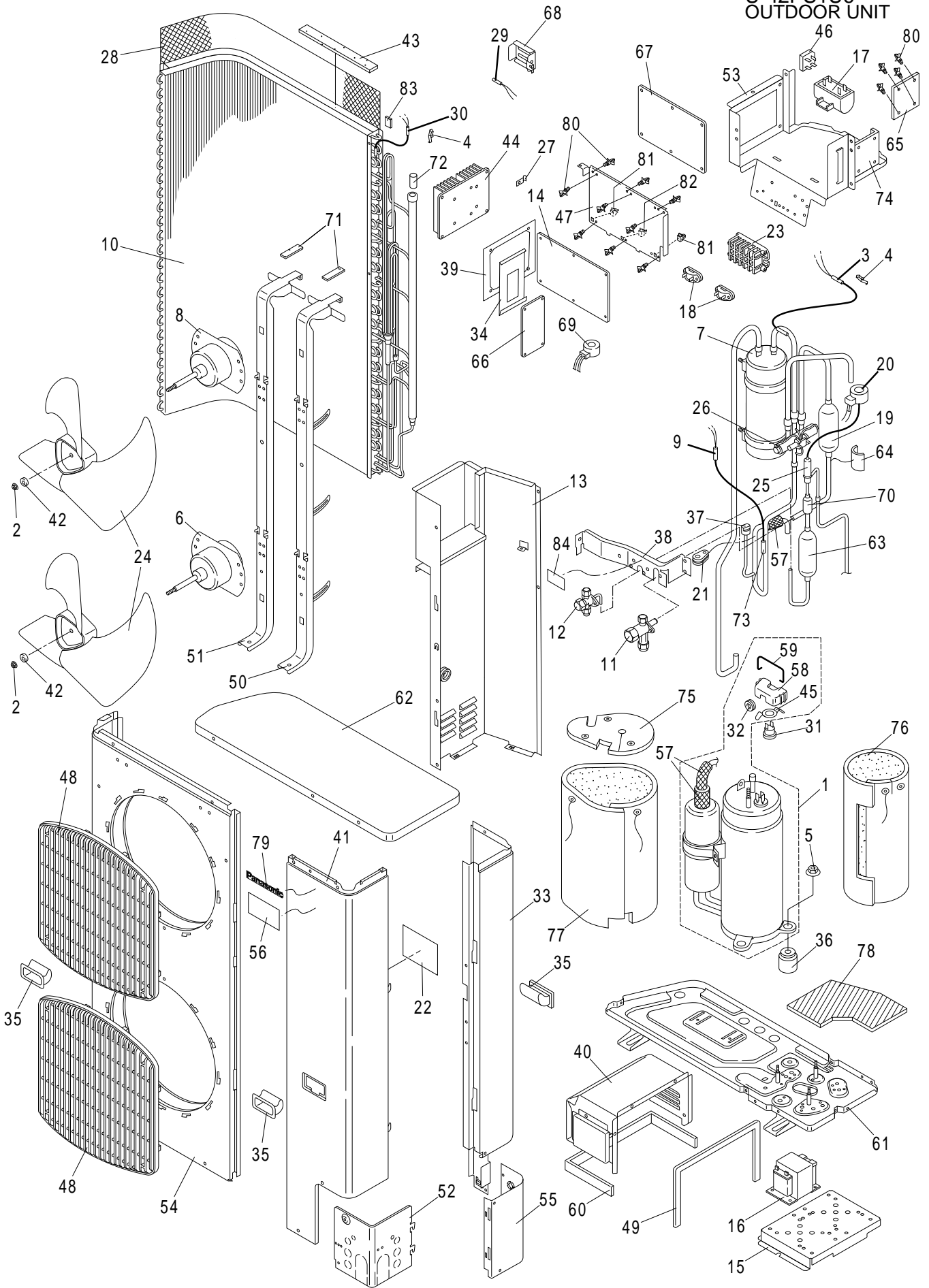
1.Part No. 2.Description 3.Q'ty 4.Volts-Hz-Ph 5.Product Mode No.

U-36PS1U6
OUTDOOR UNIT

KeyNo.	Part No.	Description	Model Number	Q'ty	Reference No.
	CV 6233186900	Operation Manual		1	8546460916302
	CV 6233186979	Installation Instructions		1	8546436953102

NOTE: Metal and plastic parts will be supplied basically with necessary heat insulation pads or packing. Each key number with an asterisk (*) means the recommended service parts.

U-42PS1U6
OUTDOOR UNIT



ATTENTION!

To ensure correct parts supply, please let us know the following,

Part No. when you make service parts order:

1.Part No. 2.Description 3.Q'ty 4.Volts-Hz-Ph 5.Product Mode No.

U-42PS1U6
OUTDOOR UNIT

KeyNo.	Part No.	Description	Model Number	Q'ty	Reference No.
* 1	CV 6231843188	Compressor Ass'y(INV)	C-9RVN273H0W	1	8540452530100
2	CV 6380126705	Domed Cap Nuts		2	3927506010
* 3	CV 6231664158	Thermistor(TS)		1	1FA4V2E011900
4	CV 6231485876	Mounting Thermostat		2	8522530322401
5	CV 6230296497	Nut Special Ass'y		3	8510239510201
* 6	CV 6231915717	Fan Motor	DAJ12-95B61A-CR	1	1FA4M4A012000
7	CV 6233113593	Accumulator Ass'y		1	8540451753101
* 8	CV 6231916073	Fan Motor	DAJ12-95B61B-CR	1	1FA4M4A012100
* 9	CV 6231664141	Thermistor(TD)	DTNC583G3UTKS236	1	1FA4V2E012000
* 10	CV 6231812382	Heat Exch Ass'y		1	8540412449200
11	CV 6231811965	Valve Ass'y 5/8 in.		1	8540450628500
12	CV 6231811958	Valve Ass'y 3/8 in.		1	8540450432300
13	CV 6231916080	Partition Plate Ass'y		1	85402516322H2
* 14	CV 6231921909	Controller Ass'y	CR-CH4872R	1	8549953605286
15	CV 6231811927	Mounting Plate		1	8542236196301
* 16	CV 6231709729	Reactor	R202AB	1	1FA4L5C004600
* 17	CV 6231527347	Fixed Capacitor	RU23B606R2398X	1	1FA4C1A009400
18	CV 6231407595	Clip Wire		2	8522530416700
19	CV 6231849579	Muffler		1	8542451918400
* 20	CV 6231715874	Magnetic Coil(MOV)	UKV-U013E	1	1FA4L8A019700
21	CV 6231916196	Protection Rubber		1	8542235618400
22	CV 6231922098	Elec. Wiring Diagram		1	8FA2525773100
* 23	CV 6233027265	Terminal Base	HP-T3041-E2C6-L2	1	1FA4J3A030000
24	CV 6231736893	Propeller Fan Ass'y		2	8542253910610
* 25	CV 6231704144	Solenoid Control Valve	UKV-25D	1	8542454814900
* 26	CV 6231916103	Reversing Valve	STF-04U1G	1	8542450819100
27	CV 6231916004	Mounting Plate		1	8542236206801
28	CV 6231104517	Guard		1	8542111316700
* 29	CV 6231664233	Thermistor(TO)	DTNC532G3HTKS238	1	1FA4V2E011600
* 30	CV 6231664165	Thermistor(C2)	DTNC532G3HTKS233	1	1FA4V2E011800
* 31	CV 6231915793	Thermostat(OLR)	CS-7L110	1	4233960062
32	CV 6231695190	Eyelet Rubber Lead Wire		1	8012530412600
33	CV 6231916110	Rear Panel		1	85421103367H2
34	CV 6231915847	Sheet		1	1FA4G1A008900
35	CV 6231812115	Knob		3	85421311131H1
36	CV 6231450577	Cushion Rubber		3	8192692010700
* 37	CV 6231915830	Switch Ass'y(63PH)	ACB-4UB3002W	1	8FA0525703700
38	CV 6231812092	Support valve		1	8542412932501
39	CV 6231915823	Sheet		1	1FA4G1A008800
40	CV 6231812078	Mounting Plate Ass'y		1	8540232368701

NOTE: Metal and plastic parts will be supplied basically with necessary heat insulation pads or packing. Each key number with an asterisk (*) means the recommended service parts.

ATTENTION!

To ensure correct parts supply, please let us know the following,

Part No. when you make service parts order:

1.Part No. 2.Description 3.Q'ty 4.Volts-Hz-Ph 5.Product Mode No.

U-42PS1U6
OUTDOOR UNIT

KeyNo.	Part No.	Description	Model Number	Q'ty	Reference No.
41	CV 6233190310	Front Panel		1	85421116278H4
42	CV 6230954960	Washer Special		2	8542135513300
43	CV 6380194452	Packing		1	8542236651900
44	CV 6231915885	Cooler		1	8542532519301
45	CV 6260400222	Plate Protector		1	8012530212500
* 46	CV 4070037003	Diode	DBA250G	1	DDDBA250G---N
47	CV 6231812023	Elec. Component Box		1	8542530625901
48	CV 6231915861	Guard		2	8542111321912
49	CV 6231921947	Packing		1	8542236671710
50	CV 6231812498	Base Ass'y, Fan Motor		1	8540250721401
51	CV 6231812481	Support Fan Motor		1	8542251632501
52	CV 6233135168	Cover Plate		1	8542234287423
53	CV 6231812016	Elec Component Box Ass'y		1	8540531101601
54	CV 6233190327	Front Panel		1	8542110199713
55	CV 6233135175	Cover Plate		1	8542113343223
56	CV 6233189857	Badge		1	8542135433500
57	CV 6230529359	Vibration Insulation		3	8522247515400
58	CV 6260400826	Cap Terminal Cover		1	8012619510700
59	CV 6260400512	Clip		1	8012534010500
60	CV 6231921930	Packing		1	8542236672310
61	CV 6233190334	Bottom Plate Ass'y		1	8540220458903
62	CV 6231915984	Top Panel		1	85421112394H3
63	CV 6231812511	Muffler		1	8542451918200
64	CV 6380055487	Mounting Rubber, Tube		1	8542431526800
* 65	CV 6231921961	P.C.B. Ass'y	CR-FAN4872R	1	8549953605290
* 66	CV 6231921954	P.C.B. Ass'y	HIC-CH4872R	1	8549953605289
* 67	CV 6231921923	P.C.B. Ass'y	FIL-CH4872R	1	8549953605287
68	CV 6231915960	Mounting Plate		1	8542530922411
* 69	CV 6231916011	Transformer Ass'y	CL-9	1	8FA0526304400
70	CV 6231018968	Strainer Ass'y		1	8540452213100
71	CV 6231885447	Packing		2	8542236670300
72	CV 6231708364	Insulation Special		1	8542241133100
73	CV 6231250184	Mounting Thermostat		1	8522530317700
74	CV 6231812412	Elec. Component Box		1	8542530626001
75	CV 6231812436	Sound Insulation Compressor		1	8542242235700
76	CV 6231812528	Sound Insulation Compressor		1	8542242235800
77	CV 6231812504	Sound Insulation Compressor		1	8542242235900
78	CV 6231695213	Sound Insulation Compressor		1	8542242226500
79	CV 6233162478	Badge		1	8542135433001
80	CV 6230971677	Spacer	SPLSN-6	13	8512536603800

NOTE: Metal and plastic parts will be supplied basically with necessary heat insulation pads or packing. Each key number with an asterisk (*) means the recommended service parts.

ATTENTION!

To ensure correct parts supply, please let us know the following,

Part No. when you make service parts order:

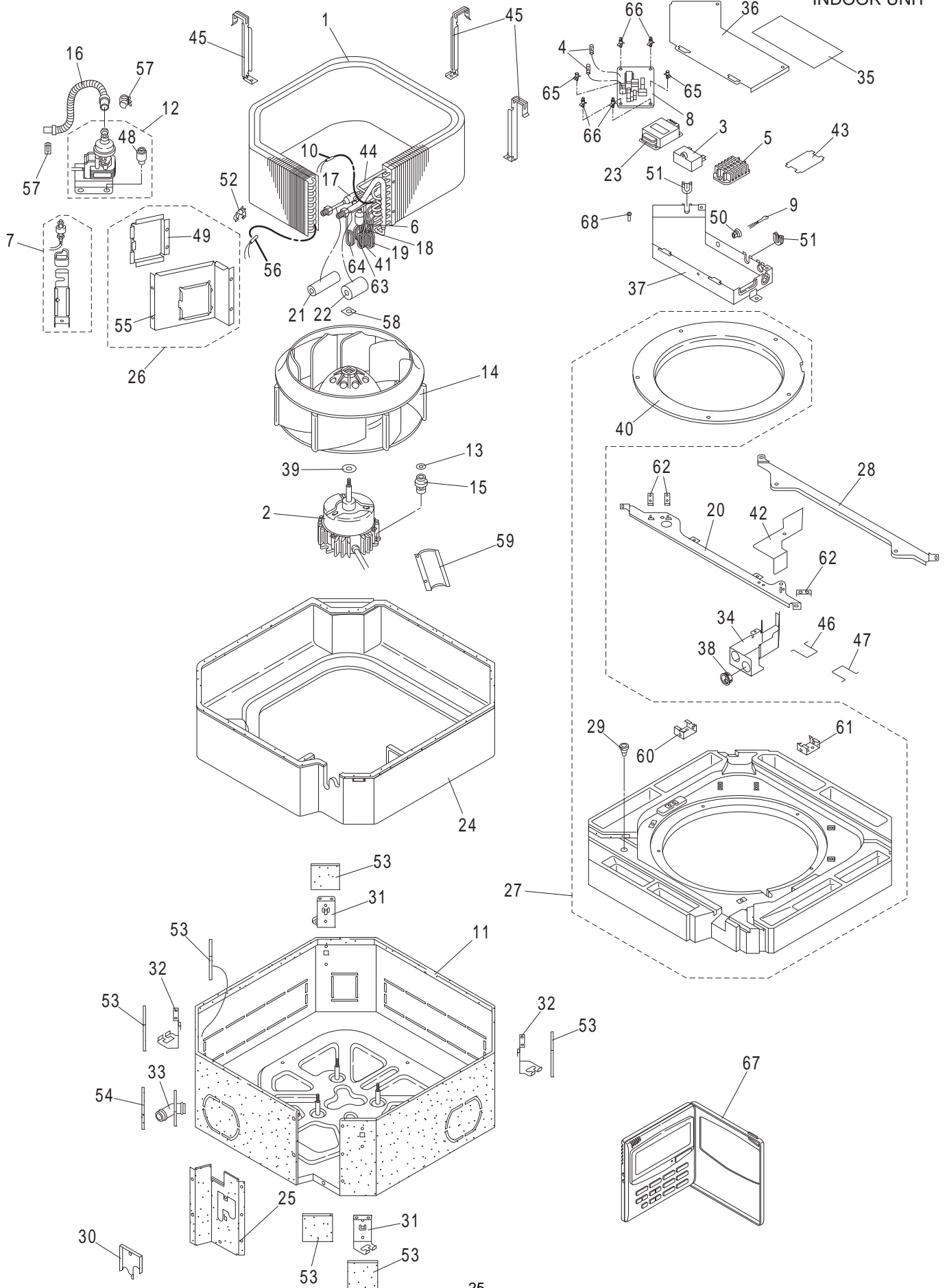
U-42PS1U6
OUTDOOR UNIT

1.Part No. 2.Description 3.Q'ty 4.Volts-Hz-Ph 5.Product Mode No.

KeyNo.	Part No.	Description	Model Number	Q'ty	Reference No.
81	CV 6230964068	Spacer	#616	2	8512536603300
82	CV 6231927949	Spacer	2196	1	8512536607600
83	CV 6233190341	Packing		1	8542237023200
84	CV 6233193526	Caution Label		1	8546575950500
	CV 6233186900	Operation Manual		1	8546460916302
	CV 6233186979	Installation Instructions		1	8546436953102

NOTE: Metal and plastic parts will be supplied basically with necessary heat insulation pads or packing. Each key number with an asterisk (*) means the recommended service parts.

S-26PU1U6
INDOOR UNIT



ATTENTION!

To ensure correct parts supply, please let us know the following,

Part No. when you make service parts order:

1.Part No. 2.Description 3.Q'ty 4.Volts-Hz-Ph 5.Product Mode No.

S-26PU1U6
INDOOR UNIT

KeyNo.	Part No.	Description	Model Number	Q'ty	Reference No.
* 1	CV 6233010830	Heat Exch Ass'y		1	8540412458300
* 2	CV 6233196534	Fan Motor Ass'y	SFG6X-41D6P	1	8FA0520219300
* 3	CV 6231191050	Fixed Capacitor	UP44B455J0300D	1	4223956862
* 4	CV 6231916783	Fuse	MT3 5A	2	1FJ4S3A003900
* 5	CV 6233196527	Terminal Base	UKT50-3+15S-2J-SA4117	1	1FA4J3A048900
* 6	CV 6231656726	Capillary Tube		1	8542423717100
* 7	CV 6233196510	Switch Ass'y	FS-0218-102	1	8FA0515209000
* 8	CV 6233196503	Circuit Board Ass'y	CR-26PU1U6-P	1	8549953605983
* 9	CV 6233197296	Thermistor Ass'y	KTEC-35-S6	1	8FA0525963900
* 10	CV 6233196558	Thermistor Ass'y(E1)	PBC-41E-S14	1	8FA0525961900
11	CV 6231592888	Cabinet Ass'y		1	8540110432900
* 12	CV 6233196541	Motor Pump Ass'y	PLD-12230ST-6	1	8FA0526415200
13	CV 6230936508	Washer		3	3902103100
* 14	CV 6380082971	Fan Ass'y		1	8540250121610
15	CV 6380197651	Cushion Rubber		3	8542253417800
16	CV 6380197668	Drain Hose		1	8542429714700
17	CV 6230709300	Strainer Ass'y		1	8540452210400
* 18	CV 6231656757	Capillary Tube		1	8542423717200
* 19	CV 6231656740	Capillary Tube		1	8542423717300
20	CV 6231916837	Mounting Plate, Drain Pan		1	85422333221H2
21	CV 6231608206	Insulation Special		1	8542241124110
22	CV 6231608213	Insulation Special		1	8542241124020
* 23	CV 6231916820	Transformer Ass'y	ATR-IIK224A	1	8540526319000
24	CV 6231916813	Cover Ass'y, Evaporator		1	85402317169H2
25	CV 6231916875	Cabinet Plate		1	85421105298H2
26	CV 6231916868	Mounting Plate		1	85424134664H1
* 27	CV 6231916851	Drain Pan Ass'y		1	85402301515H2
28	CV 6380197712	Mounting Plate, Drain Pan		1	8542233322001
29	CV 6231019132	Cap Rubber		1	8542410910200
30	CV 6231916844	Mounting Plate		1	85422361512H2
31	CV 6380197736	Mounting Parts Ass'y		2	8540111120301
32	CV 6380197743	Mounting Parts Ass'y		2	8540111120401
33	CV 6380148165	Joint Drain		1	8542233417310
34	CV 6231608336	Support Wire		1	8542531911101
35	CV 6233196565	Elec. Wiring Diagram		1	8FA2525103700
36	CV 6380197767	Cover,Elec.Component Box		1	8542530450801
37	CV 6231608138	Elec Component Box Ass'y		1	8540530180300
38	CV 6230383425	Bushing	OCB-875	1	8512537000900
39	CV 6231263856	Washer Special		1	8542135515201
40	CV 6231608145	Nozzle		1	8542251914310

NOTE: Metal and plastic parts will be supplied basically with necessary heat insulation pads or packing. Each key number with an asterisk (*) means the recommended service parts.

ATTENTION!

To ensure correct parts supply, please let us know the following,

Part No. when you make service parts order:

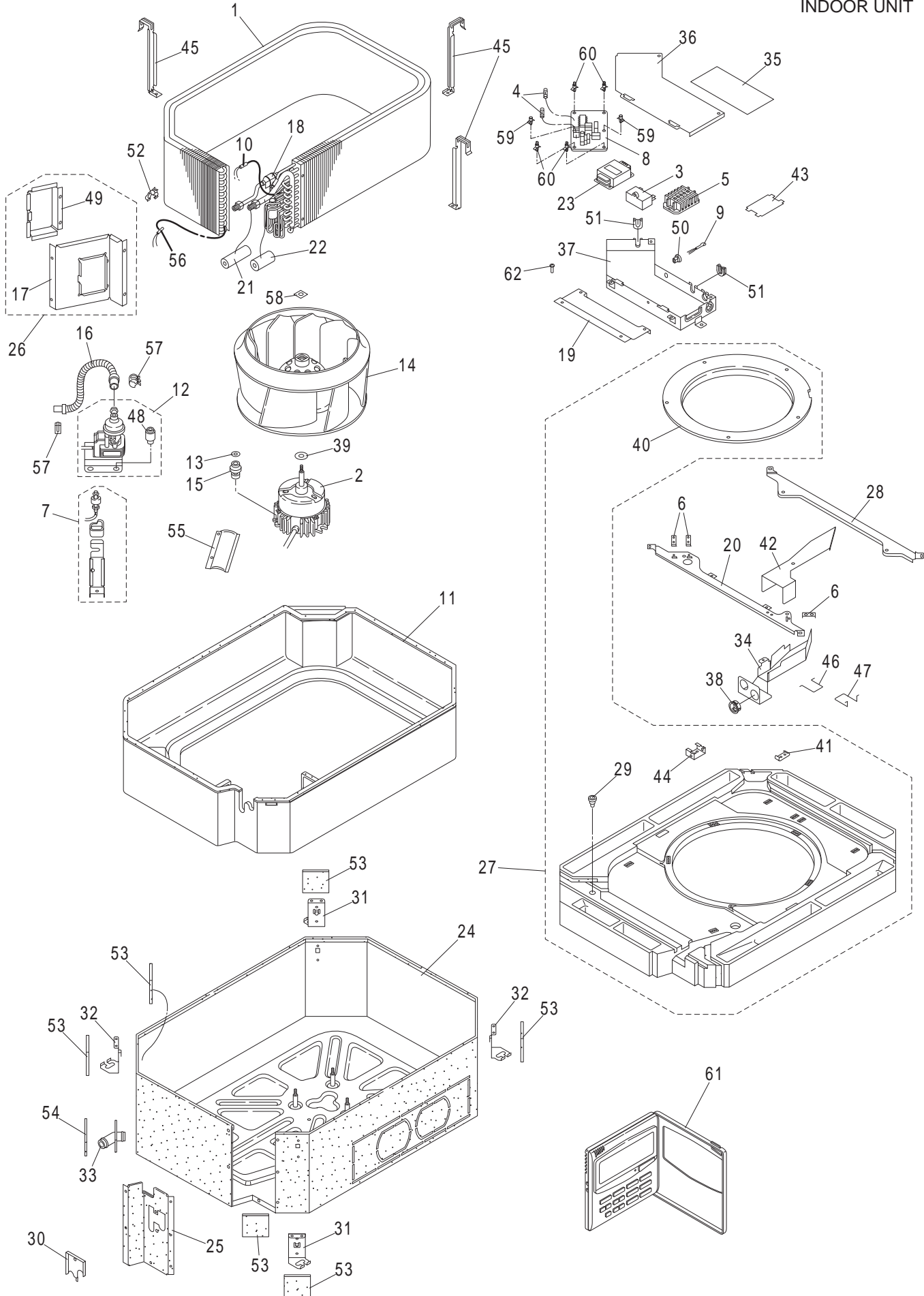
1.Part No. 2.Description 3.Q'ty 4.Volts-Hz-Ph 5.Product Mode No.

S-26PU1U6
INDOOR UNIT

KeyNo.	Part No.	Description	Model Number	Q'ty	Reference No.
* 41	CV 6231656764	Capillary Tube		1	8542423717400
42	CV 6231608343	Cover Terminal		1	8542530515001
43	CV 6231847209	Cover	UKT50-3+15S-2D	1	8542537600800
* 44	CV 6231656795	Capillary Tube		1	8542423717700
45	CV 6380197842	Support, Evaporator		3	8542223223400
46	CV 6380197859	Guide		1	8542235215600
47	CV 6380197866	Guide		1	8542235215700
48	CV 6380049523	Cushion Rubber		3	8542231813800
49	CV 6380197873	Cover Plate		1	8542234270000
50	CV 6230274990	Bushing		1	8002533717900
51	CV 6230162938	Eyelet		2	7332442512200
52	CV 6380065462	Mounting Plate		1	8542414010201
53	CV 6231608237	Packing		6	8542136179110
54	CV 6231608244	Packing		1	8542136180610
55	CV 6380197989	Mounting Plate		1	8542413466400
* 56	CV 6233196572	Thermistor Ass'y(E2)	PB3M-41E-S4	1	8FA0525961000
57	CV 6230772205	Clip		2	8542231510301
58	CV 6231262866	Square Washer		1	8542232810401
59	CV 6380197934	Cover Plate		1	8542234269300
60	CV 6380197941	Mounting Plate		1	8542236151001
61	CV 6380197958	Mounting Plate		1	8542236151101
62	CV 6380197965	Mounting Plate		3	8542236158301
* 63	CV 6231656771	Capillary Tube		1	8542423717600
* 64	CV 6231656788	Capillary Tube		1	8542423717500
65	CV 6230996052	Spacer	SPSN-6	2	8512536604200
66	CV 6230971677	Spacer	SPLSN-6	4	8512536603800
* 67	CV 6233196596	Remote Control Switch	CZ-RTC2	1	8FA0005115200
68	CV 6230516977	Screw Special		1	8522239610103
	CV 6233196589	Operation Manual		1	8546460907302
	CV 6233186962	Installation Instructions		1	8546436953201

NOTE: Metal and plastic parts will be supplied basically with necessary heat insulation pads or packing. Each key number with an asterisk (*) means the recommended service parts.

S-36PU1U6
INDOOR UNIT



ATTENTION!

To ensure correct parts supply, please let us know the following,

Part No. when you make service parts order:

1.Part No. 2.Description 3.Q'ty 4.Volts-Hz-Ph 5.Product Mode No.

S-36PU1U6
INDOOR UNIT

KeyNo.	Part No.	Description	Model Number	Q'ty	Reference No.
* 1	CV 6233010854	Heat Exch Ass'y		1	8540412458400
* 2	CV 6233196602	Fan Motor Ass'y	SFG6X-81A6P	1	8FA0520219400
* 3	CV 6231159661	Fixed Capacitor	UP44B605J0313D	1	4223956679
* 4	CV 6231916783	Fuse	MT3 5A	2	1FJ4S3A003900
* 5	CV 6233196527	Terminal Base	UKT50-3+15S-2J-SA4117	1	1FA4J3A048900
6	CV 6380197965	Mounting Plate		3	8542236158301
* 7	CV 6233196510	Switch Ass'y	FS-0218-102	1	8FA0515209000
* 8	CV 6233196503	Circuit Board Ass'y	CR-26PU1U6-P	1	8549953605983
* 9	CV 6233197296	Thermistor Ass'y	KTEC-35-S6	1	8FA0525963900
* 10	CV 6233196619	Thermistor Ass'y(E1)	PBC-41E-S14	1	8FA0525961500
11	CV 6231592710	Cabinet Ass'y		1	8540110433000
* 12	CV 6233196541	Motor Pump Ass'y	PLD-12230ST-6	1	8FA0526415200
13	CV 6230936508	Washer		3	3902103100
* 14	CV 6380200320	Fan Ass'y		1	8540250124300
15	CV 6380197651	Cushion Rubber		3	8542253417800
16	CV 6380197668	Drain Hose		1	8542429714700
17	CV 6380200405	Mounting Plate		1	8542413466500
18	CV 6230709300	Strainer Ass'y		1	8540452210400
19	CV 6380200436	Mounting Plate		1	8542236151401
20	CV 6231916837	Mounting Plate, Drain Pan		1	85422333221H2
21	CV 6231608206	Insulation Special		1	8542241124110
22	CV 6231608213	Insulation Special		1	8542241124020
* 23	CV 6231916820	Transformer Ass'y	ATR-IIK224A	1	8540526319000
24	CV 6231916899	Cover Ass'y, Evaporator		1	85402317170H2
25	CV 6231916912	Cabinet Plate		1	85421105299H2
26	CV 6231907040	Mounting Plate		1	85424134665H1
* 27	CV 6231916905	Drain Pan Ass'y		1	85402301516H2
28	CV 6380197712	Mounting Plate, Drain Pan		1	8542233322001
29	CV 6231019132	Cap Rubber		1	8542410910200
30	CV 6231916844	Mounting Plate		1	85422361512H2
31	CV 6380197736	Mounting Parts Ass'y		2	8540111120301
32	CV 6380197743	Mounting Parts Ass'y		2	8540111120401
33	CV 6380148165	Joint Drain		1	8542233417310
34	CV 6231608473	Support Wire		1	8542531911201
35	CV 6233196565	Elec. Wiring Diagram		1	8FA2525103700
36	CV 6380197767	Cover,Elec.Component Box		1	8542530450801
37	CV 6231608138	Elec Component Box Ass'y		1	8540530180300
38	CV 6230383425	Bushing	OCB-875	1	8512537000900
39	CV 6231263856	Washer Special		1	8542135515201
40	CV 6231608145	Nozzle		1	8542251914310

NOTE: Metal and plastic parts will be supplied basically with necessary heat insulation pads or packing. Each key number with an asterisk (*) means the recommended service parts.

ATTENTION!

To ensure correct parts supply, please let us know the following,

Part No. when you make service parts order:

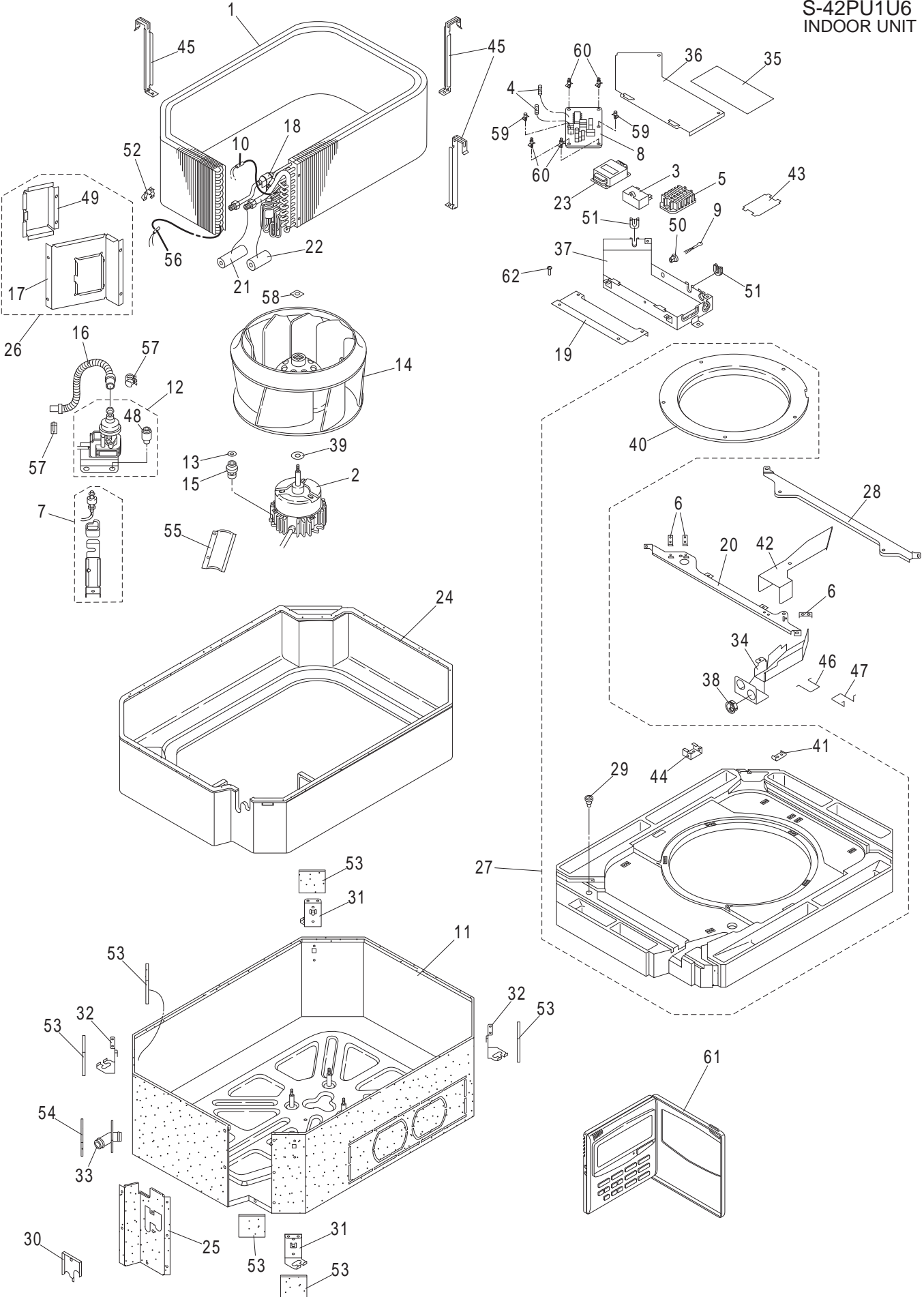
1.Part No. 2.Description 3.Q'ty 4.Volts-Hz-Ph 5.Product Mode No.

S-36PU1U6
INDOOR UNIT

KeyNo.	Part No.	Description	Model Number	Q'ty	Reference No.	
41	CV 6380197958	Mounting Plate		1	8542236151101	
42	CV 6231608480	Cover Terminal		1	8542530515101	
43	CV 6231847209	Cover	UKT50-3+15S-2D	1	8542537600800	
44	CV 6380197941	Mounting Plate		1	8542236151001	
45	CV 6380200474	Support, Evaporator		3	8542223223500	
46	CV 6380197859	Guide		1	8542235215600	
47	CV 6380197866	Guide		1	8542235215700	
48	CV 6380049523	Cushion Rubber		3	8542231813800	
49	CV 6380200375	Cover Plate		1	8542234269600	
50	CV 6230274990	Bushing		1	8002533717900	
51	CV 6230162938	Eyelet		2	7332442512200	
52	CV 6380065462	Mounting Plate		1	8542414010201	
53	CV 6231608237	Packing		6	8542136179110	
54	CV 6231608244	Packing		1	8542136180610	
55	CV 6380197934	Cover Plate		1	8542234269300	
*	56	CV 6233196626	Thermistor Ass'y(E2)	PB3M-41E-S4	1	8FA0525961600
	57	CV 6230772205	Clip		2	8542231510301
	58	CV 6231262866	Square Washer		1	8542232810401
	59	CV 6230996052	Spacer	SPSN-6	2	8512536604200
	60	CV 6230971677	Spacer	SPLSN-6	4	8512536603800
*	61	CV 6233196596	Remote Control Switch	CZ-RTC2	1	8FA0005115200
	62	CV 6230516977	Screw Special		1	8522239610103
		CV 6233196589	Operation Manual		1	8546460907302
		CV 6233186962	Installation Instructions		1	8546436953201

NOTE: Metal and plastic parts will be supplied basically with necessary heat insulation pads or packing. Each key number with an asterisk (*) means the recommended service parts.

S-42PU1U6
INDOOR UNIT



ATTENTION!

To ensure correct parts supply, please let us know the following,

Part No. when you make service parts order:

1.Part No. 2.Description 3.Q'ty 4.Volts-Hz-Ph 5.Product Mode No.

S-42PU1U6
INDOOR UNIT

KeyNo.	Part No.	Description	Model Number	Q'ty	Reference No.
* 1	CV 6233010854	Heat Exch Ass'y		1	8540412458400
* 2	CV 6233196602	Fan Motor Ass'y	SFG6X-81A6P	1	8FA0520219400
* 3	CV 6231159661	Fixed Capacitor	UP44B605J0313D	1	4223956679
* 4	CV 6231916783	Fuse	MT3 5A	2	1FJ4S3A003900
* 5	CV 6233196527	Terminal Base	UKT50-3+15S-2J-SA4117	1	1FA4J3A048900
6	CV 6380197965	Mounting Plate		3	8542236158301
* 7	CV 6233196510	Switch Ass'y	FS-0218-102	1	8FA0515209000
* 8	CV 6233196503	Circuit Board Ass'y	CR-26PU1U6-P	1	8549953605983
* 9	CV 6233197296	Thermistor Ass'y	KTEC-35-S6	1	8FA0525963900
* 10	CV 6233196619	Thermistor Ass'y(E1)	PBC-41E-S14	1	8FA0525961500
11	CV 6231592710	Cabinet Ass'y		1	8540110433000
* 12	CV 6233196541	Motor Pump Ass'y	PLD-12230ST-6	1	8FA0526415200
13	CV 6230936508	Washer		3	3902103100
* 14	CV 6380200320	Fan Ass'y		1	8540250124300
15	CV 6380197651	Cushion Rubber		3	8542253417800
16	CV 6380197668	Drain Hose		1	8542429714700
17	CV 6380200405	Mounting Plate		1	8542413466500
18	CV 6230709300	Strainer Ass'y		1	8540452210400
19	CV 6380200436	Mounting Plate		1	8542236151401
20	CV 6231916837	Mounting Plate, Drain Pan		1	85422333221H2
21	CV 6231608206	Insulation Special		1	8542241124110
22	CV 6231608213	Insulation Special		1	8542241124020
* 23	CV 6231916820	Transformer Ass'y	ATR-IIK224A	1	8540526319000
24	CV 6231916899	Cover Ass'y, Evaporator		1	85402317170H2
25	CV 6231916912	Cabinet Plate		1	85421105299H2
26	CV 6231907040	Mounting Plate		1	85424134665H1
* 27	CV 6231916905	Drain Pan Ass'y		1	85402301516H2
28	CV 6380197712	Mounting Plate, Drain Pan		1	8542233322001
29	CV 6231019132	Cap Rubber		1	8542410910200
30	CV 6231916844	Mounting Plate		1	85422361512H2
31	CV 6380197736	Mounting Parts Ass'y		2	8540111120301
32	CV 6380197743	Mounting Parts Ass'y		2	8540111120401
33	CV 6380148165	Joint Drain		1	8542233417310
34	CV 6231608473	Support Wire		1	8542531911201
35	CV 6233196565	Elec. Wiring Diagram		1	8FA2525103700
36	CV 6380197767	Cover, Elec. Component Box		1	8542530450801
37	CV 6231608138	Elec Component Box Ass'y		1	8540530180300
38	CV 6230383425	Bushing	OCB-875	1	8512537000900
39	CV 6231263856	Washer Special		1	8542135515201
40	CV 6231608145	Nozzle		1	8542251914310

NOTE: Metal and plastic parts will be supplied basically with necessary heat insulation pads or packing. Each key number with an asterisk (*) means the recommended service parts.

ATTENTION!

To ensure correct parts supply, please let us know the following,

Part No. when you make service parts order:

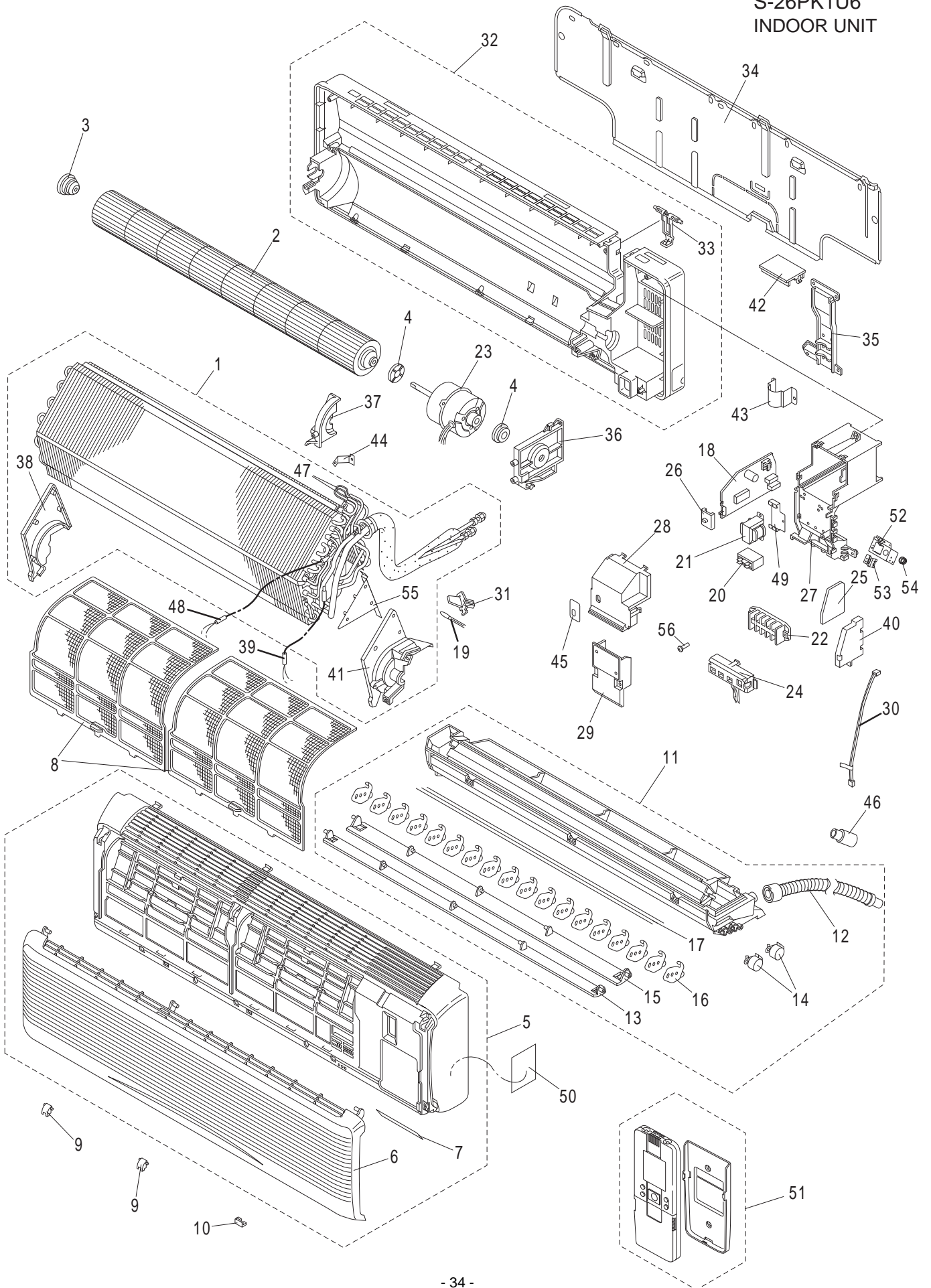
1.Part No. 2.Description 3.Q'ty 4.Volts-Hz-Ph 5.Product Mode No.

S-42PU1U6
INDOOR UNIT

KeyNo.	Part No.	Description	Model Number	Q'ty	Reference No.	
41	CV 6380197958	Mounting Plate		1	8542236151101	
42	CV 6231608480	Cover Terminal		1	8542530515101	
43	CV 6231847209	Cover	UKT50-3+15S-2D	1	8542537600800	
44	CV 6380197941	Mounting Plate		1	8542236151001	
45	CV 6380200474	Support, Evaporator		3	8542223223500	
46	CV 6380197859	Guide		1	8542235215600	
47	CV 6380197866	Guide		1	8542235215700	
48	CV 6380049523	Cushion Rubber		3	8542231813800	
49	CV 6380200375	Cover Plate		1	8542234269600	
50	CV 6230274990	Bushing		1	8002533717900	
51	CV 6230162938	Eyelet		2	7332442512200	
52	CV 6380065462	Mounting Plate		1	8542414010201	
53	CV 6231608237	Packing		6	8542136179110	
54	CV 6231608244	Packing		1	8542136180610	
55	CV 6380197934	Cover Plate		1	8542234269300	
*	56	CV 6233196626	Thermistor Ass'y(E2)	PB3M-41E-S4	1	8FA0525961600
	57	CV 6230772205	Clip		2	8542231510301
	58	CV 6231262866	Square Washer		1	8542232810401
	59	CV 6230996052	Spacer	SPSN-6	2	8512536604200
	60	CV 6230971677	Spacer	SPLSN-6	4	8512536603800
*	61	CV 6233196596	Remote Control Switch	CZ-RTC2	1	8FA0005115200
	62	CV 6230516977	Screw Special		1	8522239610103
		CV 6233196589	Operation Manual		1	8546460907302
		CV 6233186962	Installation Instructions		1	8546436953201

NOTE: Metal and plastic parts will be supplied basically with necessary heat insulation pads or packing. Each key number with an asterisk (*) means the recommended service parts.

S-26PK1U6
INDOOR UNIT



ATTENTION!

To ensure correct parts supply, please let us know the following,

Part No. when you make service parts order:

1.Part No. 2.Description 3.Q'ty 4.Volts-Hz-Ph 5.Product Mode No.

S-26PK1U6
INDOOR UNIT

KeyNo.	Part No.	Description	Model Number	Q'ty	Reference No.	
1	CV 6231927673	Evaporator Ass'y		1	8520411672310	
*	2	CV 6231572798	Cross-Flow Fan Ass'y	FRS-10085-AAS	1	8520250922400
*	3	CV 6230944466	Bearing Housing Ass'y		1	8520251012800
4	CV 6231870641	Cushion Rubber		2	8542253423500	
5	CV 6233196411	Air Intake Grille Ass'y		1	8540111022200	
6	CV 6233196404	Ornamental Plate		1	8522151630713	
7	CV 6233196633	Ornamental Plate		1	8522533811406	
8	CV 6233196398	Air Filter Ass'y		2	8520230727920	
9	CV 6231610469	Cap		2	8522235018211	
10	CV 6231610452	Cap		1	8522235018311	
11	CV 6231927680	Blade Louver Ass'y		1	8540150539700	
12	CV 6231572842	Drain Hose Ass'y		1	8520130324100	
13	CV 6231610438	Flap		1	8522152322911	
*	14	CV 6231886031	Step Motor	MP24Z8-12V	2	1FA4M3A001600
15	CV 6231610421	Flap		1	8522152323011	
16	CV 6231610414	Blade		18	8522151928211	
17	CV 6233148540	Wire		3	8522131530302	
*	18	CV 6231886055	Circuit Board Ass'y	CB-KR254GXH56A	1	8549953605233
*	19	CV 6231725460	Thermistor Ass'y(TA)	KTEC-35-S98-1	1	8540525968200
*	20	CV 6380070572	Fixed Capacitor	UP44B185J0393C	1	4223956845
*	21	CV 6231927703	Transformer Ass'y	ATR-IIK244D-R	1	8FA0526305600
*	22	CV 6231725446	Terminal Base	KT15-5J-SA2030	1	1FA4J3A016400
*	23	CV 6233196428	Fan Motor	KFT4Q-31B6P-C-R	1	1FA4M1A028206
*	24	CV 6231725422	Indicator Lamp Ass'y	IND-KRP80A	1	8540516102000
*	25	CV 6231927734	P.C.B. Ass'y	POW-KH2672R	1	8FA0517867800
26	CV 6231512800	Knob		1	8522532311201	
27	CV 6231610544	Elec. Component Box		1	8522530760611	
28	CV 6231610537	Cover,Elec.Component Box		1	8522531537911	
29	CV 6231610520	Terminal Cover Ass'y		1	8520530901400	
*	30	CV 6231927727	Wire Ass'y(RC-2P-WHT)		1	8FA0528583400
31	CV 6231725507	Mounting Thermostat		1	8522530325101	
32	CV 6233196435	Frame Ass'y		1	8540220635500	
33	CV 6231547604	Mounting, Tube		1	8522236222411	
34	CV 6231573016	Rear Panel		1	852223017100	
35	CV 6231610582	Mounting, Tube		1	8522236224111	
*	36	CV 6233196459	Mounting Plate, Fan Motor		1	8549953605984
*	37	CV 6233196442	Mounting Plate, Fan Motor		1	8549953605985
38	CV 6231927741	Mounting Plate Ass'y		1	8540232371110	
*	39	CV 6231725576	Thermistor Ass'y(E1)	PBC-41E-AS7-1	1	8540525968300
40	CV 6231727006	Holder		1	8522537711200	

NOTE: Metal and plastic parts will be supplied basically with necessary heat insulation pads or packing. Each key number with an asterisk (*) means the recommended service parts.

ATTENTION!

To ensure correct parts supply, please let us know the following,

Part No. when you make service parts order:

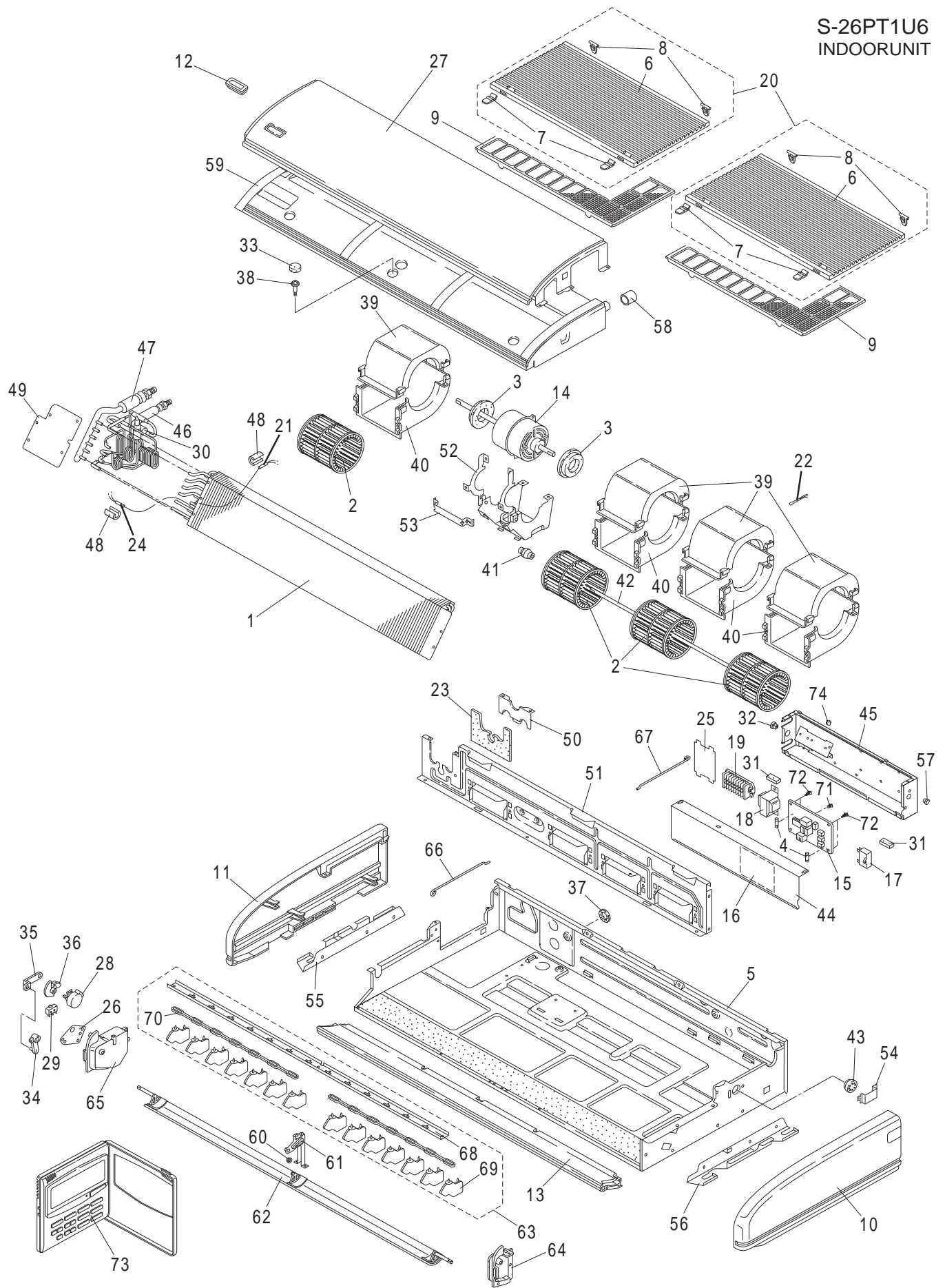
1.Part No. 2.Description 3.Q'ty 4.Volts-Hz-Ph 5.Product Mode No.

S-26PK1U6
INDOOR UNIT

KeyNo.	Part No.	Description	Model Number	Q'ty	Reference No.
41	CV 6231927758	Mounting Plate Ass'y		1	8540232368410
42	CV 6231610605	Cover		1	8522236935411
43	CV 6231573047	Mounting, Tube		1	8522236224410
44	CV 6231573030	Mounting Plate		1	8522230984610
45	CV 6231573023	Ornament		1	8522151367901
46	CV 6230774384	Joint Drain		1	8542233413400
*	47	CV 6233196473	Capillary Tube	2	8542423772500
*	48	CV 6231725569	Thermistor Ass'y(E2)	1	8540525968400
			PBC-41E-AS7-3		
	49	CV 6231927772	Mounting Plate	1	8542530936301
*	50	CV 6233196664	Elec. Wiring Diagram	1	8FA2525102900
*	51	CV 6233196657	Remote Control Switch	1	8FA0005458700
	52	CV 6233133461	Mounting Plate Ass'y	1	8540232377801
	53	CV 6233119748	Mounting Plate	1	8542530941601
	54	CV 6230383425	Bushing	1	8512537000900
			OCB-875		
	55	CV 6233196640	Mounting Plate	1	8522230984900
	56	CV 6230516977	Screw Special	1	8522239610103
		CV 6233186955	Installation Instructions	1	8546436953202

NOTE: Metal and plastic parts will be supplied basically with necessary heat insulation pads or packing. Each key number with an asterisk (*) means the recommended service parts.

S-26PT1U6
INDOORUNIT



ATTENTION!

To ensure correct parts supply, please let us know the following,

Part No. when you make service parts order:

1.Part No. 2.Description 3.Q'ty 4.Volts-Hz-Ph 5.Product Mode No.

S-26PT1U6
INDOOR UNIT

KeyNo.	Part No.	Description	Model Number	Q'ty	Reference No.
* 1	CV 6233010762	Heat Exch Ass'y		1	8540412458600
* 2	CV 6380163489	Fan Ass'y		4	8540250124010
3	CV 6231314206	Cushion Rubber		2	8522251115900
* 4	CV 6231916783	Fuse	MT3 5A	2	1FJ4S3A003900
* 5	CV 6231920131	Cabinet Ass'y		1	8549953605298
6	CV 6380163595	Suction Grille		2	8542110416810
7	CV 6380163601	Hook Plate		4	8542113023310
8	CV 6380163618	Hook Plate		4	8542113023410
9	CV 6233196725	Frame Filter Ass'y		2	8540130222820
10	CV 6380163632	Side Panel		1	8542110255310
11	CV 6380163649	Side Panel		1	8542110255410
12	CV 6233196718	Ornamental Plate		1	85421308288H6
* 13	CV 6231920148	Top Panel Ass'y		1	8549953605297
* 14	CV 6233196701	Fan Motor Ass'y	SR4X-51A6P	1	8FA0520219100
* 15	CV 6231921572	Circuit Board Ass'y	CR-TH2672	1	8549953605306
16	CV 6233196695	Elec. Wiring Diagram		1	8FA2525106500
* 17	CV 6233196763	Fixed Capacitor	UP44B155JMF-B	1	1FA4C1A015000
* 18	CV 6231608503	Transformer Ass'y	ATR-IIK244B	1	8540526318900
* 19	CV 6233196527	Terminal Base	UKT50-3+15S-2J-S	1	1FA4J3A048900
20	CV 6231920162	Suction Grille		2	85421104168H2
* 21	CV 6233196756	Thermistor Ass'y (E2)	PBC-41E-S14	1	8FA0525961400
* 22	CV 6233196749	Thermistor Ass'y (TA)	KTEC-35-S6	1	8FA0525961700
23	CV 6380163793	Insulation		1	8542240378310
* 24	CV 6233196732	Thermistor Ass'y (E1)	PBC-41E-S14	1	8FA0525961300
25	CV 6231847209	Cover	UKT50-3+15S-2D	1	8542537600800
26	CV 6231628402	Mounting Plate		1	8542531271001
27	CV 6380163670	Front Panel		1	85421101827H3
* 28	CV 6380082063	Synchronized Motor	MT8-3C	1	5280500000303
* 29	CV 6233196770	Sw K	SS-01GL13-F	1	8FA0525708300
30	CV 6230709300	Strainer Ass'y		1	8540452210400
31	CV 6231920179	Packing		2	8542236647910
32	CV 6230383425	Bushing	OCB-875	1	8512537000900
33	CV 6380163786	Packing		1	8542236644210
34	CV 6380150922	Shaft		1	8542134913900
35	CV 6380150939	Rod		1	8542232912600
36	CV 6380150946	Cam		1	8542235411100
37	CV 6380163809	Cap		1	8542234614200
38	CV 6380150953	Screw Special		1	8542135615401
39	CV 6380163687	Blower Casing		4	8542250619010
40	CV 6380163694	Blower Casing		4	8542250618810

NOTE: Metal and plastic parts will be supplied basically with necessary heat insulation pads or packing. Each key number with an asterisk (*) means the recommended service parts.

ATTENTION!

To ensure correct parts supply, please let us know the following,

Part No. when you make service parts order:

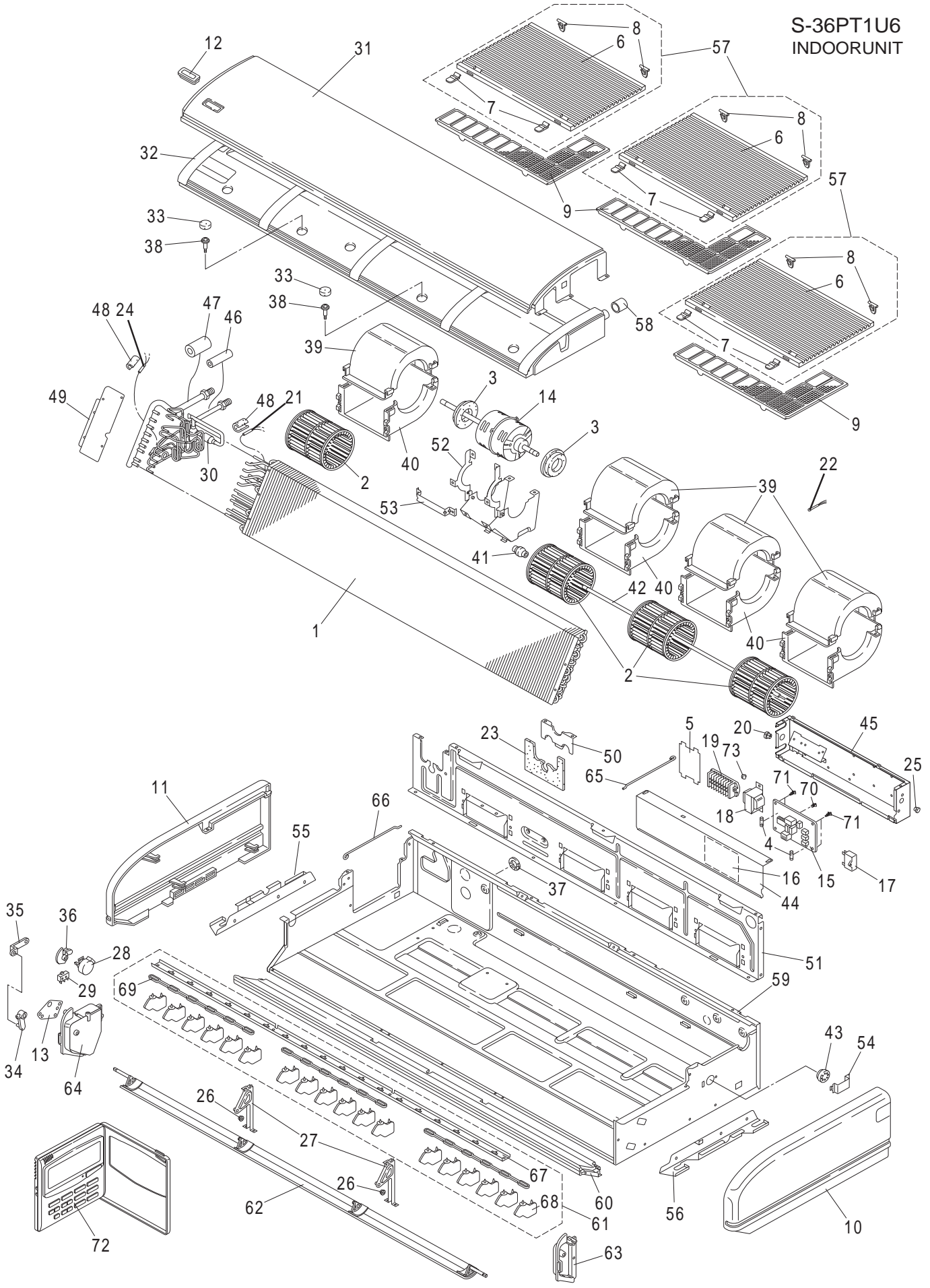
1.Part No. 2.Description 3.Q'ty 4.Volts-Hz-Ph 5.Product Mode No.

S-26PT1U6
INDOOR UNIT

KeyNo.	Part No.	Description	Model Number	Q'ty	Reference No.
41	CV 6380150984	Boss Ass'y		1	8540251311800
42	CV 6380150991	Shaft Ass'y		1	8540251810800
* 43	CV 6230944466	Bearing Housing Ass'y		1	8520251012800
44	CV 6380163700	Cover, Elec.Component Box		1	8542530448500
45	CV 6380163717	Elec Component Box Ass'y		1	8540530173201
46	CV 6231920209	Insulation Special		1	8542241115010
47	CV 6231920193	Insulation Special		1	8542241115210
48	CV 6230546073	Insulation Tube		2	8522451428600
49	CV 6231700450	Mounting Plate, Evaporator		1	8542230330701
50	CV 6380163731	Cover, Evaporator		1	85422325313H2
51	CV 6380151066	Partition Plate, Blower		1	8542250518600
52	CV 6380151073	Support Motor Ass'y		1	8540251124101
53	CV 6380151080	Support Fan Motor		1	8542251629000
54	CV 6380151097	Mounting Plate		1	8542236136901
55	CV 6380150618	Hook Plate		1	8542113023501
56	CV 6380150625	Hook Plate		1	8542113023601
57	CV 6230274990	Bushing		1	8002533717900
58	CV 6380163779	Cap		1	8542413314910
* 59	CV 6380163564	Drain Pan Ass'y		1	85402301482H2
60	CV 6231593243	Collar		1	8542253513600
61	CV 6231593588	Support Louver		1	8542111125001
62	CV 6231920223	Air Guide Ass'y		1	8540111513510
63	CV 6231920216	Support Louver		1	85421111253H2
64	CV 6380163663	Side Cover Ass'y, Left		1	85421107405H2
* 65	CV 6233196787	Side Cover Ass'y, Right		1	8549953605992
66	CV 6380151141	Wire		1	8542131027401
67	CV 6380151158	Wire		1	8542131027501
68	CV 6231593809	Support Louver		1	8542111125300
69	CV 6231920940	Blade Louver		14	8542111022610
70	CV 6231920933	Mounting Plate		2	8542112993310
71	CV 6230996052	Spacer	SPSN-6	1	8512536604200
72	CV 6230971677	Spacer	SPLSN-6	4	8512536603800
* 73	CV 6233196596	Remote Control Switch	CZ-RTC2	1	8FA0005115200
74	CV 6230516977	Screw Special		1	8522239610103
	CV 6233196589	Operation Manual		1	8546460907302
	CV 6233196794	Installation Instructions		1	8546436934302
	CV 6233186962	Installation Instructions		1	8546436953201

NOTE: Metal and plastic parts will be supplied basically with necessary heat insulation pads or packing. Each key number with an asterisk (*) means the recommended service parts.

S-36PT1U6
INDOORUNIT



ATTENTION!

To ensure correct parts supply, please let us know the following,

Part No. when you make service parts order:

1.Part No. 2.Description 3.Q'ty 4.Volts-Hz-Ph 5.Product Mode No.

S-36PT1U6
INDOOR UNIT

KeyNo.	Part No.	Description	Model Number	Q'ty	Reference No.
* 1	CV 6233010793	Heat Exch Ass'y		1	8540412458700
* 2	CV 6380181070	Fan Ass'y		4	8540250124110
3	CV 6380151486	Cushion Rubber		2	8542253417500
* 4	CV 6231916783	Fuse	MT3 5A	2	1FJ4S3A003900
5	CV 6231847209	Cover	UKT50-3+15S-2D	1	8542537600800
6	CV 6380181124	Suction Grille		3	8542110416910
7	CV 6380163601	Hook Plate		6	8542113023310
8	CV 6380163618	Hook Plate		6	8542113023410
9	CV 6233196817	Frame Filter Ass'y		3	8540130222920
10	CV 6380181148	Side Panel		1	8542110255510
11	CV 6380181155	Side Panel		1	8542110255610
12	CV 6233196718	Ornamental Plate		1	85421308288H6
13	CV 6231628402	Mounting Plate		1	8542531271001
* 14	CV 6233196800	Fan Motor Ass'y	KFG4X-101C6P	1	8FA0520219200
* 15	CV 6231921572	Circuit Board Ass'y	CR-TH2672	1	8549953605306
16	CV 6233196695	Elec. Wiring Diagram		1	8FA2525106500
* 17	CV 6231693639	Fixed Capacitor	UP44B505JMF-B	1	1FA4C1A015800
* 18	CV 6231608503	Transformer Ass'y	ATR-IIK244B	1	8540526318900
* 19	CV 6233196527	Terminal Base	UKT50-3+15S-2J-S	1	1FA4J3A048900
20	CV 6230383425	Bushing	OCB-875	1	8512537000900
* 21	CV 6233196756	Thermistor Ass'y (E2)	PBC-41E-S14	1	8FA0525961400
* 22	CV 6233196749	Thermistor Ass'y (TA)	KTEC-35-S6	1	8FA0525961700
23	CV 6380181247	Insulation		1	8542240378410
* 24	CV 6233196732	Thermistor Ass'y (E1)	PBC-41E-S14	1	8FA0525961300
25	CV 6230274990	Bushing		1	8002533717900
26	CV 6231593243	Collar		2	8542253513600
27	CV 6380154494	Support Louver		2	8542111125101
* 28	CV 6380082063	Synchronized Motor	MT8-3C	1	5280500000303
* 29	CV 6233196770	Sw K	SS-01GL13-F	1	8FA0525708300
30	CV 6230709300	Strainer Ass'y		1	8540452210400
31	CV 6380181186	Front Panel		1	85421101828H3
* 32	CV 6380181117	Drain Pan Ass'y		1	85402301483H4
33	CV 6380163786	Packing		2	8542236644210
34	CV 6380150922	Shaft		1	8542134913900
35	CV 6380150939	Rod		1	8542232912600
36	CV 6380150946	Cam		1	8542235411100
37	CV 6380163809	Cap		1	8542234614200
38	CV 6380150953	Screw Special		2	8542135615401
39	CV 6380181193	Blower Casing		4	8542250619110
40	CV 6380181209	Blower Casing		4	8542250618910

NOTE: Metal and plastic parts will be supplied basically with necessary heat insulation pads or packing. Each key number with an asterisk (*) means the recommended service parts.

ATTENTION!

To ensure correct parts supply, please let us know the following,

Part No. when you make service parts order:

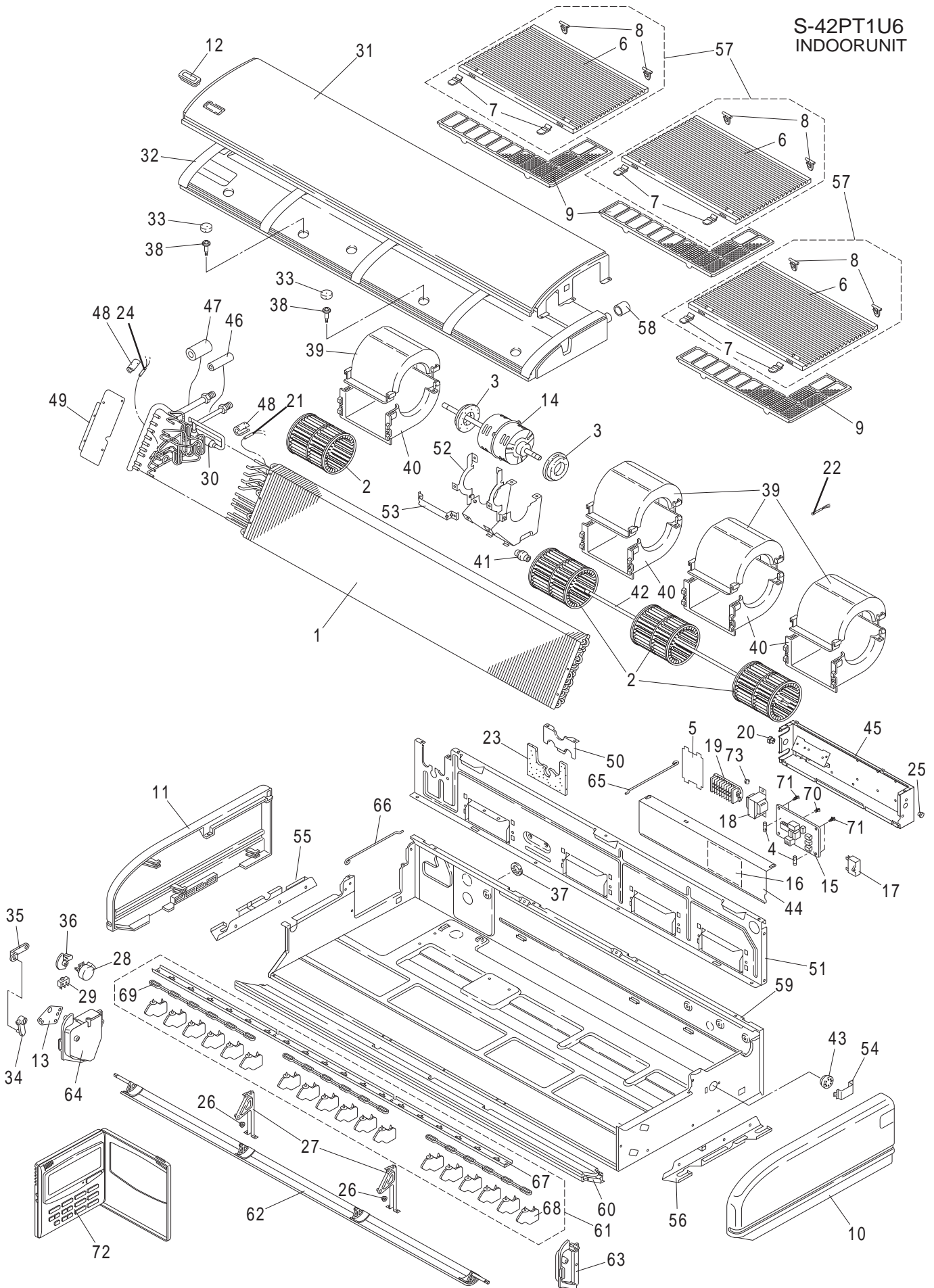
1.Part No. 2.Description 3.Q'ty 4.Volts-Hz-Ph 5.Product Mode No.

S-36PT1U6
INDOOR UNIT

KeyNo.	Part No.	Description	Model Number	Q'ty	Reference No.
41	CV 6380151523	Boss Ass'y		1	8540251311900
42	CV 6380151530	Shaft Ass'y		1	8540251810900
* 43	CV 6230944466	Bearing Housing Ass'y		1	8520251012800
44	CV 6380163700	Cover, Elec. Component Box		1	8542530448500
45	CV 6380163717	Elec Component Box Ass'y		1	8540530173201
46	CV 6231920247	Insulation Special		1	8542241132410
47	CV 6231920193	Insulation Special		1	8542241115210
48	CV 6230546073	Insulation Tube		2	8522451428600
49	CV 6231700245	Mounting Plate, Evaporator		1	8542230330801
50	CV 6380163731	Cover, Evaporator		1	85422325313H2
51	CV 6380151578	Partition Plate, Blower		1	8542250518700
52	CV 6380151585	Support Motor Ass'y		1	8540251124201
53	CV 6380151080	Support Fan Motor		1	8542251629000
54	CV 6380151097	Mounting Plate		1	8542236136901
55	CV 6380150618	Hook Plate		1	8542113023501
56	CV 6380150625	Hook Plate		1	8542113023601
57	CV 6231920292	Suction Grille		3	85421104169H2
58	CV 6380163779	Cap		1	8542413314910
* 59	CV 6231920285	Cabinet Ass'y		1	8549953605302
* 60	CV 6231920278	Top Panel Ass'y		1	8549953605301
61	CV 6231920261	Support Louver		1	85421111254H2
62	CV 6231920254	Air Guide Ass'y		1	8540111513610
63	CV 6380181179	Side Cover Ass'y, Left		1	85421107406H2
* 64	CV 6233196824	Side Cover Ass'y, Right		1	8549953605993
65	CV 6380151158	Wire		1	8542131027501
66	CV 6380151141	Wire		1	8542131027401
67	CV 6231593250	Support Louver		1	8542111125400
68	CV 6231920940	Blade Louver		18	8542111022610
69	CV 6231920957	Mounting Plate		3	8542112993210
70	CV 6230996052	Spacer	SPSN-6	1	8512536604200
71	CV 6230971677	Spacer	SPLSN-6	4	8512536603800
* 72	CV 6233196596	Remote Control Switch	CZ-RTC2	1	8FA0005115200
73	CV 6230516977	Screw Special		1	8522239610103
	CV 6233196589	Operation Manual		1	8546460907302
	CV 6233196794	Installation Instructions		1	8546436934302
	CV 6233186962	Installation Instructions		1	8546436953201

NOTE: Metal and plastic parts will be supplied basically with necessary heat insulation pads or packing. Each key number with an asterisk (*) means the recommended service parts.

S-42PT1U6
INDOORUNIT



ATTENTION!

To ensure correct parts supply, please let us know the following,

Part No. when you make service parts order:

1.Part No. 2.Description 3.Q'ty 4.Volts-Hz-Ph 5.Product Mode No.

S-42PT1U6
INDOOR UNIT

KeyNo.	Part No.	Description	Model Number	Q'ty	Reference No.
* 1	CV 6233010793	Heat Exch Ass'y		1	8540412458700
* 2	CV 6380181070	Fan Ass'y		4	8540250124110
3	CV 6380151486	Cushion Rubber		2	8542253417500
* 4	CV 6231916783	Fuse	MT3 5A	2	1FJ4S3A003900
5	CV 6231847209	Cover	UKT50-3+15S-2D	1	8542537600800
6	CV 6380181124	Suction Grille		3	8542110416910
7	CV 6380163601	Hook Plate		6	8542113023310
8	CV 6380163618	Hook Plate		6	8542113023410
9	CV 6233196817	Frame Filter Ass'y		3	8540130222920
10	CV 6380181148	Side Panel		1	8542110255510
11	CV 6380181155	Side Panel		1	8542110255610
12	CV 6233196718	Ornamental Plate		1	85421308288H6
13	CV 6231628402	Mounting Plate		1	8542531271001
* 14	CV 6233196800	Fan Motor Ass'y	KFG4X-101C6P	1	8FA0520219200
* 15	CV 6231921572	Circuit Board Ass'y	CR-TH2672	1	8549953605306
16	CV 6233196695	Elec. Wiring Diagram		1	8FA2525106500
* 17	CV 6231693639	Fixed Capacitor	UP44B505JMF-B	1	1FA4C1A015800
* 18	CV 6231608503	Transformer Ass'y	ATR-IIK244B	1	8540526318900
* 19	CV 6233196527	Terminal Base	UKT50-3+15S-2J-S	1	1FA4J3A048900
20	CV 6230383425	Bushing	OCB-875	1	8512537000900
* 21	CV 6233196756	Thermistor Ass'y (E2)	PBC-41E-S14	1	8FA0525961400
* 22	CV 6233196749	Thermistor Ass'y (TA)	KTEC-35-S6	1	8FA0525961700
23	CV 6380181247	Insulation		1	8542240378410
* 24	CV 6233196732	Thermistor Ass'y (E1)	PBC-41E-S14	1	8FA0525961300
25	CV 6230274990	Bushing		1	8002533717900
26	CV 6231593243	Collar		2	8542253513600
27	CV 6380154494	Support Louver		2	8542111125101
* 28	CV 6380082063	Synchronized Motor	MT8-3C	1	5280500000303
* 29	CV 6233196770	Sw K	SS-01GL13-F	1	8FA0525708300
30	CV 6230709300	Strainer Ass'y		1	8540452210400
31	CV 6380181186	Front Panel		1	85421101828H3
* 32	CV 6380181117	Drain Pan Ass'y		1	85402301483H4
33	CV 6380163786	Packing		2	8542236644210
34	CV 6380150922	Shaft		1	8542134913900
35	CV 6380150939	Rod		1	8542232912600
36	CV 6380150946	Cam		1	8542235411100
37	CV 6380163809	Cap		1	8542234614200
38	CV 6380150953	Screw Special		2	8542135615401
39	CV 6380181193	Blower Casing		4	8542250619110
40	CV 6380181209	Blower Casing		4	8542250618910

NOTE: Metal and plastic parts will be supplied basically with necessary heat insulation pads or packing. Each key number with an asterisk (*) means the recommended service parts.

ATTENTION!

To ensure correct parts supply, please let us know the following,

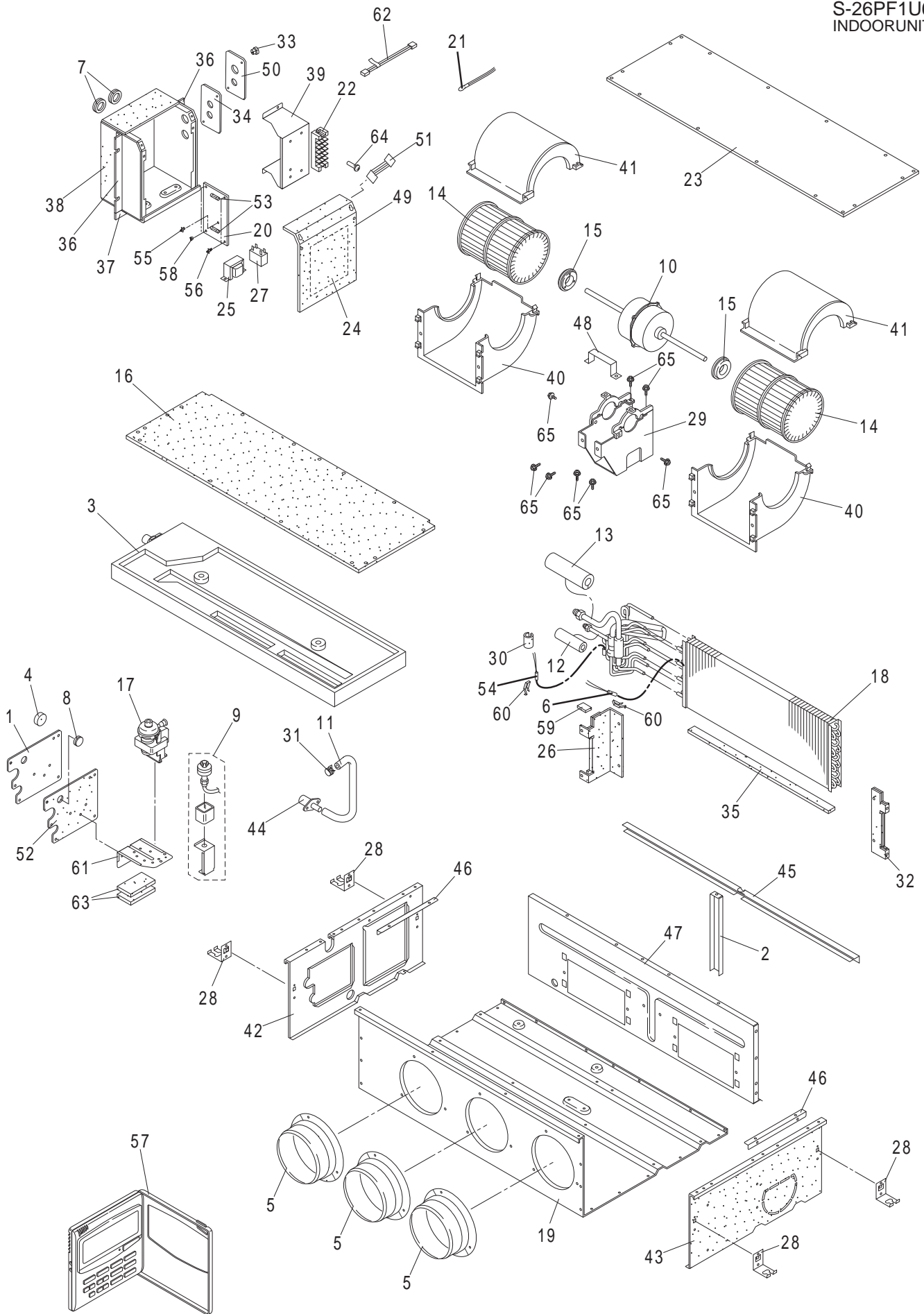
Part No. when you make service parts order:

1.Part No. 2.Description 3.Q'ty 4.Volts-Hz-Ph 5.Product Mode No.

S-42PT1U6
INDOOR UNIT

KeyNo.	Part No.	Description	Model Number	Q'ty	Reference No.
41	CV 6380151523	Boss Ass'y		1	8540251311900
42	CV 6380151530	Shaft Ass'y		1	8540251810900
* 43	CV 6230944466	Bearing Housing Ass'y		1	8520251012800
44	CV 6380163700	Cover, Elec. Component Box		1	8542530448500
45	CV 6380163717	Elec Component Box Ass'y		1	8540530173201
46	CV 6231920247	Insulation Special		1	8542241132410
47	CV 6231920193	Insulation Special		1	8542241115210
48	CV 6230546073	Insulation Tube		2	8522451428600
49	CV 6231700245	Mounting Plate, Evaporator		1	8542230330801
50	CV 6380163731	Cover, Evaporator		1	85422325313H2
51	CV 6380151578	Partition Plate, Blower		1	8542250518700
52	CV 6380151585	Support Motor Ass'y		1	8540251124201
53	CV 6380151080	Support Fan Motor		1	8542251629000
54	CV 6380151097	Mounting Plate		1	8542236136901
55	CV 6380150618	Hook Plate		1	8542113023501
56	CV 6380150625	Hook Plate		1	8542113023601
57	CV 6231920292	Suction Grille		3	85421104169H2
58	CV 6380163779	Cap		1	8542413314910
* 59	CV 6231920285	Cabinet Ass'y		1	8549953605302
* 60	CV 6231920278	Top Panel Ass'y		1	8549953605301
61	CV 6231920261	Support Louver		1	85421111254H2
62	CV 6231920254	Air Guide Ass'y		1	8540111513610
63	CV 6380181179	Side Cover Ass'y, Left		1	85421107406H2
* 64	CV 6233196824	Side Cover Ass'y, Right		1	8549953605993
65	CV 6380151158	Wire		1	8542131027501
66	CV 6380151141	Wire		1	8542131027401
67	CV 6231593250	Support Louver		1	8542111125400
68	CV 6231920940	Blade Louver		18	8542111022610
69	CV 6231920957	Mounting Plate		3	8542112993210
70	CV 6230996052	Spacer	SPSN-6	1	8512536604200
71	CV 6230971677	Spacer	SPLSN-6	4	8512536603800
* 72	CV 6233196596	Remote Control Switch	CZ-RTC2	1	8FA0005115200
73	CV 6230516977	Screw Special		1	8522239610103
	CV 6233196589	Operation Manual		1	8546460907302
	CV 6233196794	Installation Instructions		1	8546436934302
	CV 6233186962	Installation Instructions		1	8546436953201

NOTE: Metal and plastic parts will be supplied basically with necessary heat insulation pads or packing. Each key number with an asterisk (*) means the recommended service parts.



ATTENTION!

To ensure correct parts supply, please let us know the following,

Part No. when you make service parts order:

1.Part No. 2.Description 3.Q'ty 4.Volts-Hz-Ph 5.Product Mode No.

S-26PF1U6
INDOOR UNIT

KeyNo.	Part No.	Description	Model Number	Q'ty	Reference No.	
1	CV 6231760560	Cover Plate		1	8542230722000	
2	CV 6380187263	Mounting Plate		1	8542236149800	
*	3	CV 6233118222	Drain Pan Ass'y	1	85402301679H2	
4	CV 6380201150	Insulation		1	8542140877700	
5	CV 6231921404	Angle flange		3	85422306262H2	
*	6	CV 6233197135	Thermistor Ass'y(E2)	PB2M-41E-S15-2	1	8FA0525960500
7	CV 6230000735	Eyelet		2	3904101500	
8	CV 6230153431	Plug		1	7332331312000	
*	9	CV 6233197159	Switch Ass'y		1	8FA0515208100
*	10	CV 6233197142	Fan Motor Ass'y	KFG4X-71B6P	1	8FA0520218100
11	CV 6231824729	Drain Hose		1	8542429720700	
12	CV 6231601320	Insulation Special		1	8542241122310	
13	CV 6231601344	Insulation Special		1	8542241122210	
*	14	CV 6231605380	Fan Ass'y		2	8540250122830
15	CV 6380151486	Cushion Rubber		2	8542253417500	
16	CV 6231921428	Cover, Drain Pan		1	85422343163H2	
*	17	CV 6233197197	Motor Pump Ass'y		1	8FA0526415000
*	18	CV 6233010823	Heat Exch Ass'y		1	8540412458500
19	CV 6231595223	Cabinet Plate		1	8542110529000	
*	20	CV 6233197180	Circuit Board Ass'y	CR-TH2672	1	8549953605986
*	21	CV 6233197173	Thermistor Ass'y(TA)	KTEC-35-S85	1	8FA0525960300
*	22	CV 6233196527	Terminal Base	UKT50-3+15S-2J-S	1	1FA4J3A048900
23	CV 6231595278	Top Cover		1	8542110638000	
24	CV 6233197166	Elec. Wiring Diagram		1	8FA2525102100	
*	25	CV 6231921503	Transformer Ass'y	ATR-IIK244B	1	8540526320400
26	CV 6231921497	Mounting Plate,Evaporator		1	85422303312H2	
*	27	CV 6231693639	Fixed Capacitor	UP44B505JMF-B	1	1FA4C1A015800
28	CV 6380187188	Hook Plate		4	8542113024201	
29	CV 6380187621	Support Motor Ass'y		1	8540251124801	
30	CV 6230546073	Insulation Tube		1	8522451428600	
31	CV 6230772205	Clip		1	8542231510301	
32	CV 6231921480	Mounting Plate,Evaporator		1	85422303313H2	
33	CV 6230383425	Bushing	OCB-875	1	8512537000900	
34	CV 6231921510	Mounting Plate		1	8542530918302	
35	CV 6231605397	Insulation, Evaporator		1	8542240430910	
36	CV 6380187409	Mounting Plate		2	8542530914200	
37	CV 6380187416	Mounting Plate		1	8542530914300	
38	CV 6231601443	Elec Component Box		1	8542530615900	
39	CV 6233117591	Support Terminal		1	8542531623701	
40	CV 6231601450	Blower Casing		2	8542250619210	

NOTE: Metal and plastic parts will be supplied basically with necessary heat insulation pads or packing. Each key number with an asterisk (*) means the recommended service parts.

ATTENTION!

To ensure correct parts supply, please let us know the following,

Part No. when you make service parts order:

1.Part No. 2.Description 3.Q'ty 4.Volts-Hz-Ph 5.Product Mode No.

S-26PF1U6
INDOOR UNIT

KeyNo.	Part No.	Description	Model Number	Q'ty	Reference No.	
41	CV 6231601474	Blower Casing		2	8542250619310	
42	CV 6380187102	Side Panel Ass'y		1	8540110239200	
43	CV 6380187614	Side Panel Ass'y		1	8540110239300	
44	CV 6231601481	Joint Drain		1	8542233418610	
45	CV 6380187843	Mounting Panel		1	8542112719000	
46	CV 6380187171	Mounting Plate		2	8542112995100	
47	CV 6380187805	Partition Plate, Blower		1	8542250519100	
48	CV 6380187683	Support Fan Motor		1	8542251630000	
49	CV 6380187386	Cover, Elec. Component Box		1	8542530450300	
50	CV 6231921527	Insulation		1	8542140885100	
51	CV 6231209908	Wire Ass'y		1	8510529270200	
52	CV 6233197210	Insulation		1	8542140877610	
*	53	CV 6231916783	Fuse	MT3 5A	2	1FJ4S3A003900
*	54	CV 6233197203	Thermistor Ass'y(E1)	PB2M-41E-S15-2	1	8FA0525960400
	55	CV 6230965973	Spacer	SPSN-4	1	8512536604100
	56	CV 6230965966	Spacer	SPLSN-4	2	8512536603700
*	57	CV 6233196596	Remote Control Switch	CZ-RTC2	1	8FA0005115200
	58	CV 6230383333	Spacer		2	8512536601200
	59	CV 6233116839	Packing		1	8542237026110
	60	CV 6231485876	Mounting Thermostat		2	8522530322401
	61	CV 6233184937	Mounting Plate		1	8542236193301
*	62	CV 6233197227	Wire Ass'y		1	8FA0528747900
	63	CV 6233167640	Vibration Insulation		2	8542247521100
	64	CV 6230516977	Screw Special		1	8522239610103
	65	CV 6231195058	Screw Special		8	8542135613801
		CV 6233186962	Installation Instructions		1	8546436953201

NOTE: Metal and plastic parts will be supplied basically with necessary heat insulation pads or packing. Each key number with an asterisk (*) means the recommended service parts.

ATTENTION!

To ensure correct parts supply, please let us know the following,

Part No. when you make service parts order:

1.Part No. 2.Description 3.Q'ty 4.Volts-Hz-Ph 5.Product Mode No.

S-36PF1U6
INDOOR UNIT

KeyNo.	Part No.	Description	Model Number	Q'ty	Reference No.	
1	CV 6231760560	Cover Plate		1	8542230722000	
2	CV 6380187355	Mounting, Bearing		1	8542252013901	
*	3	CV 6233118253	Drain Pan Ass'y	1	85402301680H2	
4	CV 6380187348	Support Fan Motor		1	8542251630600	
5	CV 6231921404	Angle flange		4	85422306262H2	
*	6	CV 6233197135	Thermistor Ass'y(E2)	PB2M-41E-S15-2	1	8FA0525960500
7	CV 6230000735	Eyelet		2	3904101500	
8	CV 6380187133	Shaft Ass'y		1	8540251811000	
*	9	CV 6233197159	Switch Ass'y		1	8FA0515208100
*	10	CV 6233197234	Fan Motor Ass'y	KFC4X-141A6P	1	8FA0520218200
11	CV 6231824729	Drain Hose		1	8542429720700	
12	CV 6231601320	Insulation Special		1	8542241122310	
13	CV 6231601344	Insulation Special		1	8542241122210	
*	14	CV 6231605380	Fan Ass'y		3	8540250122830
15	CV 6380054282	Cushion Rubber		2	8542253416400	
16	CV 6231921541	Cover, Drain Pan		1	85422343164H2	
*	17	CV 6233197197	Motor Pump Ass'y		1	8FA0526415000
*	18	CV 6231651592	Heat Exch Ass'y		1	8540411999100
19	CV 6231594806	Cabinet Plate		1	8542110529100	
*	20	CV 6233197180	Circuit Board Ass'y	CR-TH2672	1	8549953605986
*	21	CV 6233197173	Thermistor Ass'y(TA)	KTEC-35-S85	1	8FA0525960300
*	22	CV 6233196527	Terminal Base	UKT50-3+15S-2J-S	1	1FA4J3A048900
23	CV 6231594837	Top Cover		1	8542110638100	
24	CV 6233197166	Elec. Wiring Diagram		1	8FA2525102100	
*	25	CV 6231921503	Transformer Ass'y	ATR-IIK244B	1	8540526320400
26	CV 6380072026	Boss Ass'y		1	8540251311600	
*	27	CV 6231693639	Fixed Capacitor	UP44B505JMF-B	1	1FA4C1A015800
28	CV 6380187188	Hook Plate		4	8542113024201	
29	CV 6231743181	Support Motor Ass'y		1	85402511249H1	
30	CV 6230546073	Insulation Tube		1	8522451428600	
31	CV 6230772205	Clip		1	8542231510301	
32	CV 6231921497	Mounting Plate,Evaporator		1	85422303312H2	
33	CV 6231921480	Mounting Plate,Evaporator		1	85422303313H2	
34	CV 6230383425	Bushing	OCB-875	1	8512537000900	
35	CV 6231605410	Insulation, Evaporator		1	8542240431010	
36	CV 6380187409	Mounting Plate		2	8542530914200	
37	CV 6380187416	Mounting Plate		1	8542530914300	
38	CV 6231601443	Elec Component Box		1	8542530615900	
39	CV 6233117591	Support Terminal		1	8542531623701	
40	CV 6231601450	Blower Casing		3	8542250619210	

NOTE: Metal and plastic parts will be supplied basically with necessary heat insulation pads or packing. Each key number with an asterisk (*) means the recommended service parts.

ATTENTION!

To ensure correct parts supply, please let us know the following,

Part No. when you make service parts order:

1.Part No. 2.Description 3.Q'ty 4.Volts-Hz-Ph 5.Product Mode No.

S-36PF1U6
INDOOR UNIT

KeyNo.	Part No.	Description	Model Number	Q'ty	Reference No.	
41	CV 6231601474	Blower Casing		3	8542250619310	
42	CV 6380187102	Side Panel Ass'y		1	8540110239200	
43	CV 6380187119	Side Panel Ass'y		1	8540110239400	
44	CV 6231601481	Joint Drain		1	8542233418610	
45	CV 6380187164	Mounting Panel		1	8542112719100	
46	CV 6380187171	Mounting Plate		2	8542112995100	
47	CV 6380187300	Partition Plate, Blower		1	8542250519200	
48	CV 6380187331	Support Fan Motor		1	8542251630100	
49	CV 6380187386	Cover, Elec. Component Box		1	8542530450300	
50	CV 6231921510	Mounting Plate		1	8542530918302	
51	CV 6231921527	Insulation		1	8542140885100	
52	CV 6233197210	Insulation		1	8542140877610	
*	53	CV 6231916783	Fuse	MT3 5A	2	1FJ4S3A003900
54	CV 6231209908	Wire Ass'y		1	8510529270200	
*	55	CV 6233197203	Thermistor Ass'y(E1)	PB2M-41E-S15-2	1	8FA0525960400
57	CV 6230153431	Plug		1	7332331312000	
58	CV 6380201150	Insulation		1	8542140877700	
59	CV 6380187263	Mounting Plate		1	8542236149800	
*	60	CV 6230944466	Bearing Housing Ass'y		1	8520251012800
61	CV 6230965973	Spacer	SPSN-4	1	8512536604100	
62	CV 6230965966	Spacer	SPLSN-4	2	8512536603700	
*	63	CV 6233196596	Remote Control Switch	CZ-RTC2	1	8FA0005115200
64	CV 6230383333	Spacer		2	8512536601200	
65	CV 6233116839	Packing		1	8542237026110	
66	CV 6231485876	Mounting Thermostat		2	8522530322401	
67	CV 6233184937	Mounting Plate		1	8542236193301	
*	68	CV 6233197227	Wire Ass'y		1	8FA0528747900
69	CV 6233167640	Vibration Insulation		2	8542247521100	
70	CV 6230516977	Screw Special		1	8522239610103	
71	CV 6231195058	Screw Special		8	8542135613801	
	CV 6233186962	Installation Instructions		1	8546436953201	

NOTE: Metal and plastic parts will be supplied basically with necessary heat insulation pads or packing. Each key number with an asterisk (*) means the recommended service parts.