

# Service Manual

Telephone Equipment

Model No. **KX-TGC210S**

**KX-TGC212S**

**KX-TGC213S**

**KX-TGC220S**

**KX-TGC222S**

**KX-TG403SKS**

**KX-TG433SKS**

**KX-TGCA20S**

**KX-TGCA21S**

**KX-TGDA20N**

**KX-WP110B**

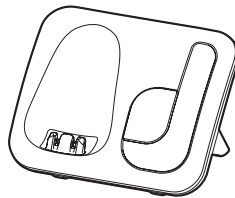
**KX-WP120B**

**KX-WPA20B**

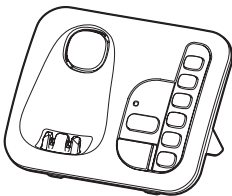
DECT  
**6.0**



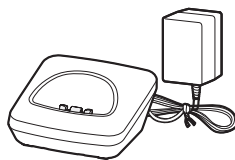
KX-TGCA20  
KX-TGCA21  
KX-TGDA20  
KX-WPA20  
(Handset)



KX-TGC210  
KX-WP110  
(Base Unit)



KX-TGC220  
KX-WP120  
(Base Unit)



(Charger Unit)

## Configuration for each model

Model No	Base Unit	Handset	Charger Unit	Expandable
KX-TGC210	1(TGCA20)	1(TGCA20)		Up to 6
KX-TGC212	1(TGC210)	2(TGCA20)	1	Up to 6
KX-TGC213	1(TGC210)	3(TGCA20)	2	Up to 6
KX-TGC220	1(TGC220)	1(TGCA20)		Up to 6
KX-TGC222	1(TGC220)	2(TGCA20)	1	Up to 6
KX-TG403SK	1(TGC210)	3(TGCA21)	2	Up to 6
KX-TG433SK	1(TGC220)	3(TGCA21)	2	Up to 6
KX-WP110	1(WP110)	1(WPA20)		Up to 6
KX-WP120	1(WP120)	1(WPA20)		Up to 6
KX-TGDA20		1(TGDA20)	1	

\*KX-TGDA20 is also an optional accessory, which contains a handset and a charger.

Digital Cordless Phone

Digital Cordless Answering System

B: Black Version

N: Champagne Gold Version

S: Silver Version

(for USA)


**Panasonic**<sup>®</sup>

© Panasonic System Networks Co., Ltd. 2014  
Unauthorized copying and distribution is a violation  
of law.

 **WARNING**

This service information is designed for experienced repair technicians only and is not designed for use by the general public. It does not contain warnings or cautions to advise non-technical individuals of potential dangers in attempting to service a product. Products powered by electricity should be serviced or repaired only by experienced professional technicians. Any attempt to service or repair the product or products dealt with in this service information by anyone else could result in serious injury or death.

**IMPORTANT SAFETY NOTICE**

There are special components used in this equipment which are important for safety. These parts are marked by  in the Schematic Diagrams, Circuit Board Diagrams, Exploded Views and Replacement Parts List. It is essential that these critical parts should be replaced with manufacturer's specified parts to prevent shock, fire or other hazards. Do not modify the original design without permission of manufacturer.

**IMPORTANT INFORMATION ABOUT LEAD FREE, (PbF), SOLDERING**

If lead free solder was used in the manufacture of this product, the printed circuit boards will be marked PbF. Standard leaded, (Pb), solder can be used as usual on boards without the PbF mark. When this mark does appear, please read and follow the special instructions described in this manual on the use of PbF and how it might be permissible to use Pb solder during service and repair work.

- When you note the serial number, write down all 11 digits. The serial number may be found on the bottom of the unit.
- The illustrations in this Service Manual may vary slightly from the actual product.

# TABLE OF CONTENTS

	PAGE	PAGE
<b>1 Safety Precautions</b> -----	<b>4</b>	
1.1. For Service Technicians -----	4	
<b>2 Warning</b> -----	<b>4</b>	
2.1. Battery Caution-----	4	
2.2. About Lead Free Solder (PbF: Pb free)-----	4	
2.2.1. Suggested PbF Solder -----	5	
2.3. Discarding of P. C. Board-----	5	
<b>3 Specifications</b> -----	<b>6</b>	
<b>4 Location of Controls and Components</b> -----	<b>7</b>	
<b>5 Installation Instructions</b> -----	<b>7</b>	
<b>6 Operating Instructions</b> -----	<b>7</b>	
<b>7 Schematic Diagram</b> -----	<b>8</b>	
7.1. For Schematic Diagram-----	8	
7.1.1. Base Unit (Base Unit (Main)) -----	8	
7.1.2. Handset (Handset (Main))-----	8	
7.2. Base Unit (Main)-----	10	
7.2.1. KX-TGC210/KX-WP110-----	10	
7.2.2. KX-TGC220/KX-WP120 -----	12	
7.3. Base Unit (Operation) -----	14	
7.4. Handset (Main)-----	16	
<b>8 Exploded View and Replacement Parts List</b> -----	<b>18</b>	
8.1. Replacement Parts List -----	18	

# 1 Safety Precautions

## 1.1. For Service Technicians

- **Repair service shall be provided in accordance with repair technology information such as service manual so as to prevent fires, injury or electric shock, which can be caused by improper repair work.**

1. When repair services are provided, neither the products nor their parts or members shall be remodeled.
2. If a lead wire assembly is supplied as a repair part, the lead wire assembly shall be replaced.
3. FASTON terminals shall be plugged straight in and unplugged straight out.

- **ICs and LSIs are vulnerable to static electricity.**

**When repairing, the following precautions will help prevent recurring malfunctions.**

1. Cover plastic parts boxes with aluminum foil.
2. Ground the soldering irons.
3. Use a conductive mat on worktable.
4. Do not grasp IC or LSI pins with bare fingers.

# 2 Warning

## 2.1. Battery Caution

Risk of explosion if battery is replaced by an incorrect type. Dispose of used batteries according to the instructions.

**Attention:**



A nickel metal hydride battery that is recyclable powers the product you have purchased.

Please call 1-800-8-BATTERY (1-800-822-8837) for information on how to recycle this battery.

## 2.2. About Lead Free Solder (PbF: Pb free)

**Note:**

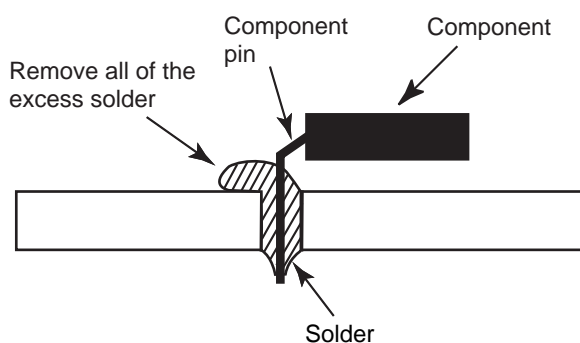
In the information below, Pb, the symbol for lead in the periodic table of elements, will refer to standard solder or solder that contains lead.

We will use PbF solder when discussing the lead free solder used in our manufacturing process which is made from Tin (Sn), Silver (Ag), and Copper (Cu).

This model, and others like it, manufactured using lead free solder will have PbF stamped on the PCB. For service and repair work we suggest using the same type of solder.

**Caution**

- PbF solder has a melting point that is 50 F ~ 70 F (30 C ~ 40 C) higher than Pb solder. Please use a soldering iron with temperature control and adjust it to 700 F ± 20 F (370 C ± 10 C).
- Exercise care while using higher temperature soldering irons.:  
Do not heat the PCB for too long time in order to prevent solder splash or damage to the PCB.
- PbF solder will tend to splash if it is heated much higher than its melting point, approximately 1100 F (600 C).
- When applying PbF solder to double layered boards, please check the component side for excess which may flow onto the opposite side (See the figure below).

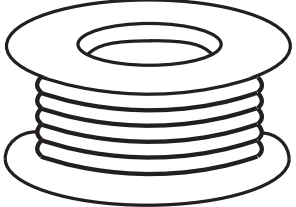
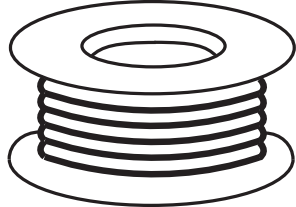
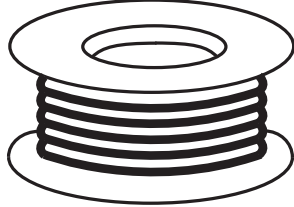


(Slice View)

### 2.2.1. Suggested PbF Solder

There are several types of PbF solder available commercially. While this product is manufactured using Tin, Silver, and Copper (Sn+Ag+Cu), you can also use Tin and Copper (Sn+Cu), or Tin, Zinc, and Bismuth (Sn+Zn+Bi). Please check the manufacturer's specific instructions for the melting points of their products and any precautions for using their product with other materials.

The following lead free (PbF) solder wire sizes are recommended for service of this product: 0.3 mm, 0.6 mm and 1.0 mm.

0.3 mm X 100 g	0.6 mm X 100 g	1.0 mm X 100 g
		

### 2.3. Discarding of P. C. Board

When discarding P. C. Board, delete all personal information such as telephone directory and caller list or scrap P. C. Board.

### 3 Specifications

■ **Standard:**

DECT 6.0 (Digital Enhanced Cordless Telecommunications 6.0)

■ **Number of channels:**

60 Duplex Channels

■ **Frequency range:**

1.92 GHz to 1.93 GHz

■ **Duplex procedure:**

TDMA (Time Division Multiple Access)

■ **Channel spacing:**

1,728 MHz

■ **Bit rate:**

1,152 Mbit/s

■ **Modulation:**

GFSK (Gaussian Frequency Shift Keying)

■ **RF transmission power:**

115 mW (max.)

■ **Voice coding:**

ADPCM 32 kbit/s

	Base Unit	Handset	Charger
Power source	AC Adaptor (PNLV226Z, 120 V AC, 60 Hz)	Rechargeable Ni-MH battery AAA (R03) size (1.2 V)	AC Adaptor (PNLV233-AZ, 120 V AC, 60 Hz)
Receiving Method	Super Heterodyne	Super Heterodyne	—
Oscillation Method	PLL synthesizer	PLL synthesizer	—
Detecting Method	Quadrature Discriminator	Quadrature Discriminator	—
Tolerance of OSC Frequency	13.824 MHz ± 83 Hz	10,368,000 Hz ± 83 Hz	—
Modulation Method	Frequency Modulation	Frequency Modulation	—
ID Code	40 bit	40 bit	—
Ringer Equivalence No. (REN)	0.1B	—	—
Dialing Mode	Tone (DTMF)/Pulse	Tone (DTMF)/Pulse	—
Redial	Up to 48 digits	Up to 48 digits	—
Speed Dialer	Up to 24 digits (Phonebook)	Up to 24 digits (Phonebook)	—
Power Consumption	for KX-TGC210: Standby: Approx. 0.6 W Maximum: Approx. 3.2 W for KX-TGC220: Standby: Approx. 0.7 W Maximum: Approx. 3.5 W	6 days at Standby, 10 hours at Talk	Standby: Approx. 0.1 W, Maximum: Approx. 1.8 W
Operating Conditions	0 °C - 40 °C (32 °F - 104 °F) 20 % - 80 % relative air humidity (dry)	0 °C - 40 °C (32 °F - 104 °F) 20 % - 80 % relative air humidity (dry)	0 °C - 40 °C (32 °F - 104 °F) 20 % - 80 % relative air humidity (dry)
Dimensions (H x W x D)	Approx. 77 mm x 107 mm x 96 mm	Approx. 164 mm x 47 mm x 30 mm for KX-TGDA20: Approx. 168 mm x 48 mm x 30 mm	Approx. 40 mm x 72 mm x 72 mm
Mass (Weight)	for KX-TGC210: Approx. 100 g for KX-TGC220: Approx. 120 g	Approx. 130 g	Approx. 100 g

**Note:**

- Design and specifications are subject to change without notice.

**Note for Service:**

- **Operation range:** Up to 300 m outdoors, Up to 50 m indoors, depending on the condition.
- **Analog telephone connection:** Telephone Line
- **Range extender:** KX-TGA405

## 4 Location of Controls and Components

Refer to the Operating Instructions.

**Note:**

You can download and refer to the Operating Instructions (Instruction book) on TSN Server.

## 5 Installation Instructions

Refer to the Operating Instructions.

**Note:**

You can download and refer to the Operating Instructions (Instruction book) on TSN Server.

## 6 Operating Instructions

Refer to the Operating Instructions.

**Note:**

You can download and refer to the Operating Instructions (Instruction book) on TSN Server.

## 7 Schematic Diagram

### 7.1. For Schematic Diagram

#### 7.1.1. Base Unit (Base Unit (Main))

**Notes:**

1. DC voltage measurements are taken with voltmeter from the negative voltage line.

**Important Safety Notice:**

Components identified by  $\triangle$  mark have special characteristics important for safety. When replacing any of these components, use only the manufacture's specified parts.

2. The schematic diagrams may be modified at any time with the development of new technology.

#### 7.1.2. Handset (Handset (Main))

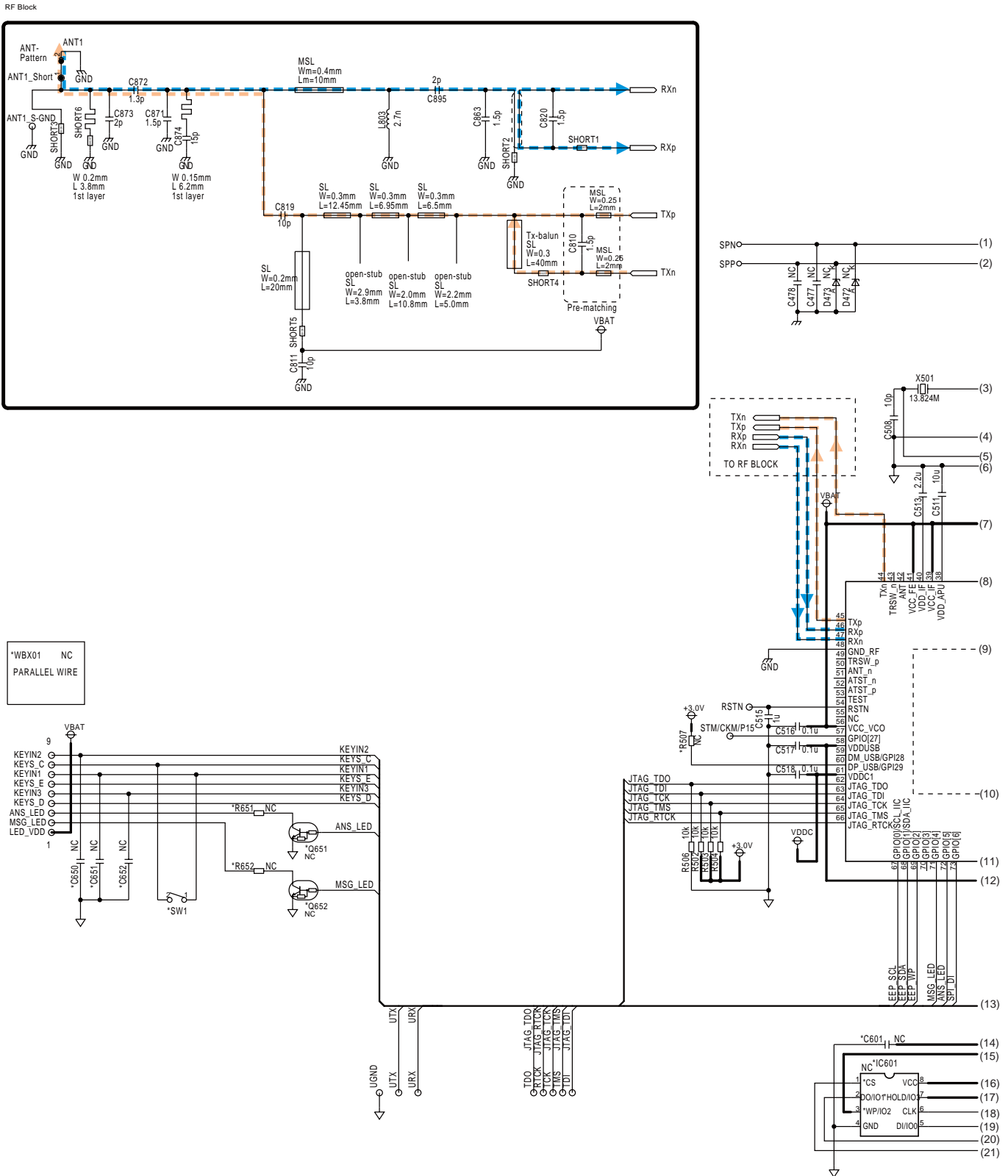
**Notes:**

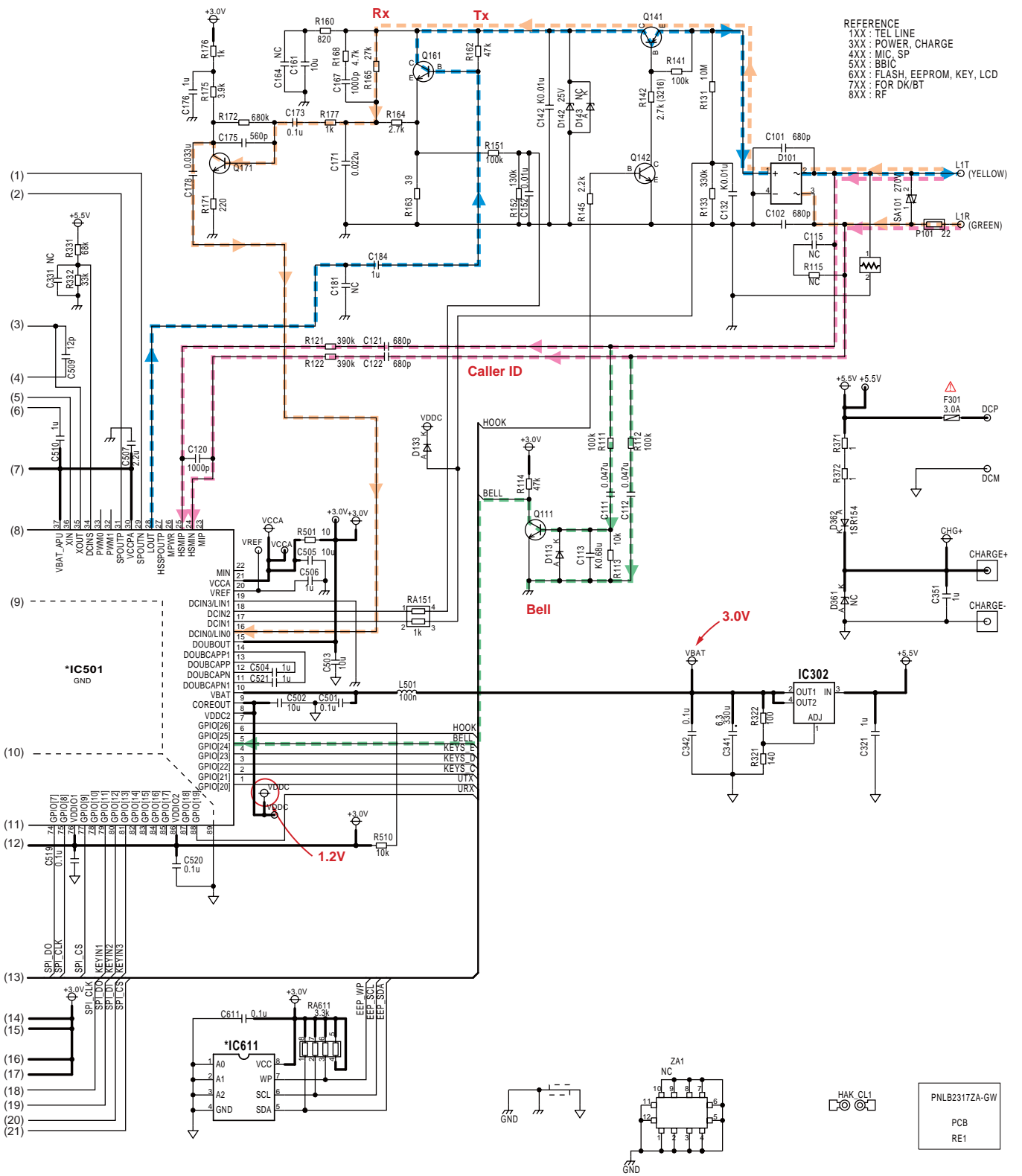
1. DC voltage measurements are taken with an oscilloscope or a tester with a ground.
2. The schematic diagrams may be modified at any time with the development of new technology.

**Memo**

## 7.2. Base Unit (Main)

### 7.2.1. KX-TGC210/KX-WP110



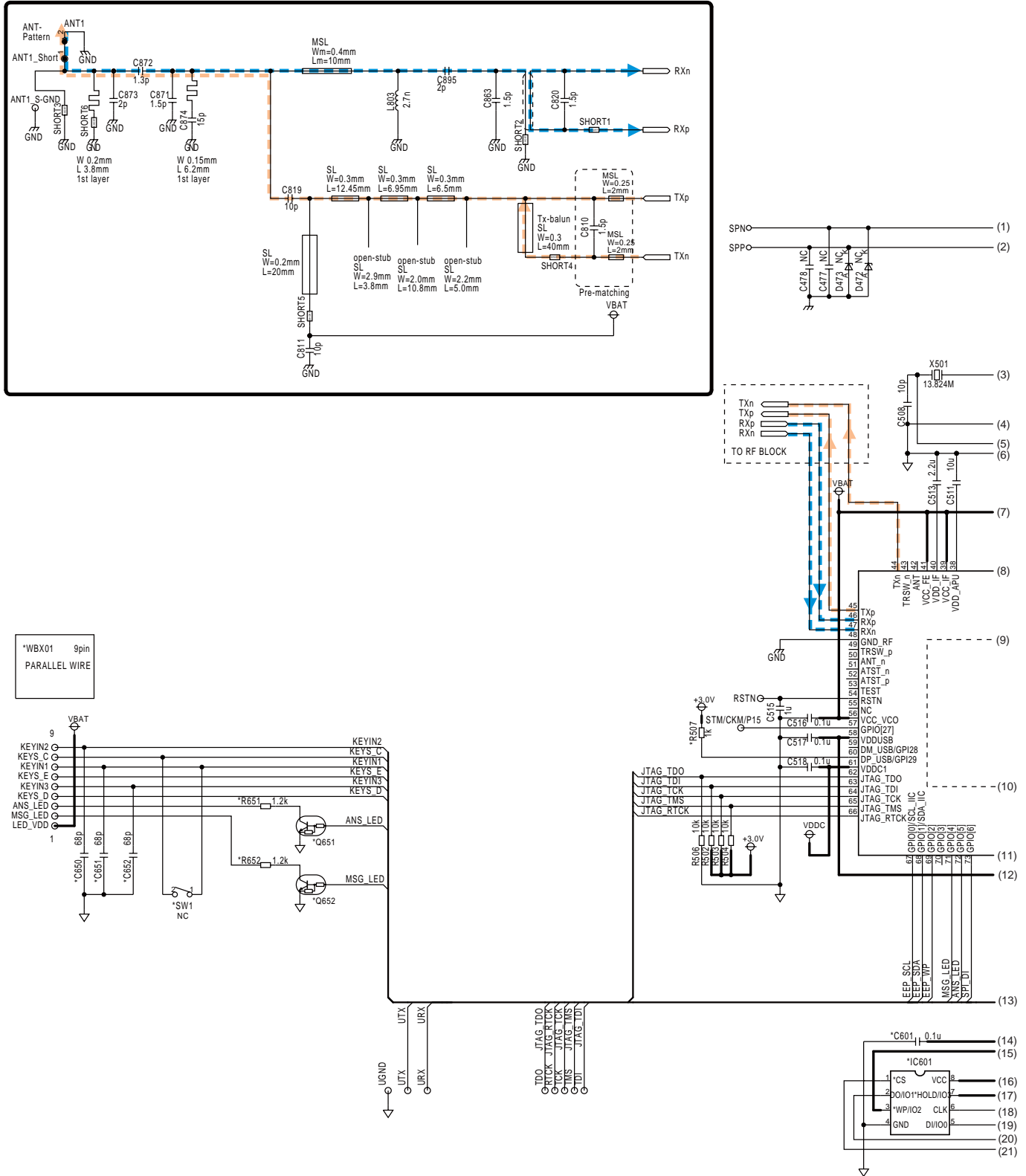


NC: No Components

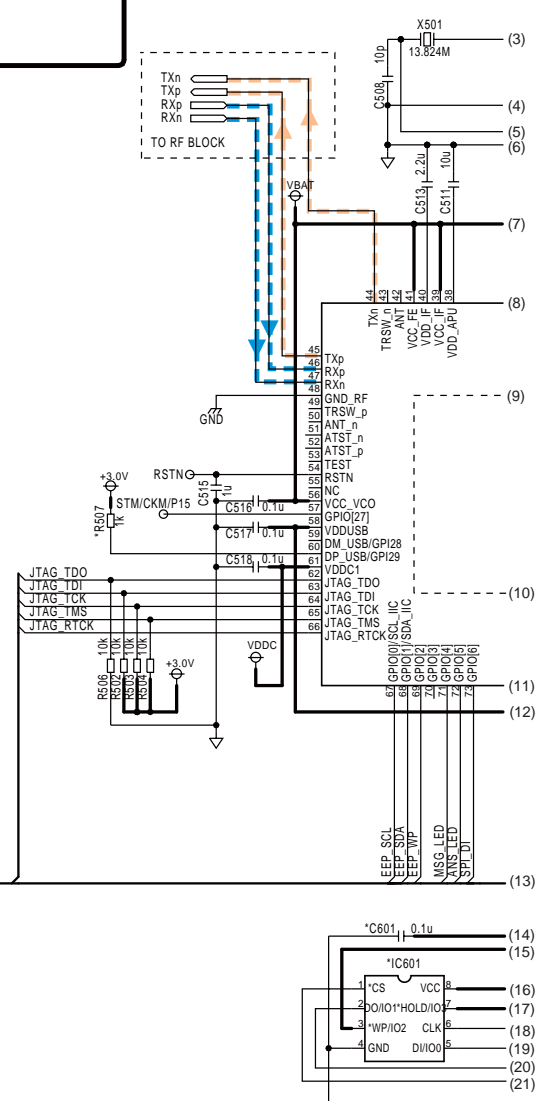
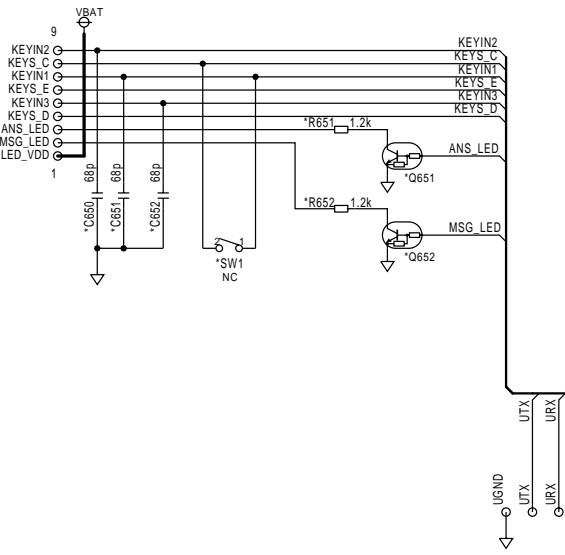
KX-TGC210/KX-WP110 SCHEMATIC DIAGRAM (Base Unit\_Main)

## 7.2.2. KX-TGC220/KX-WP120

RF Block



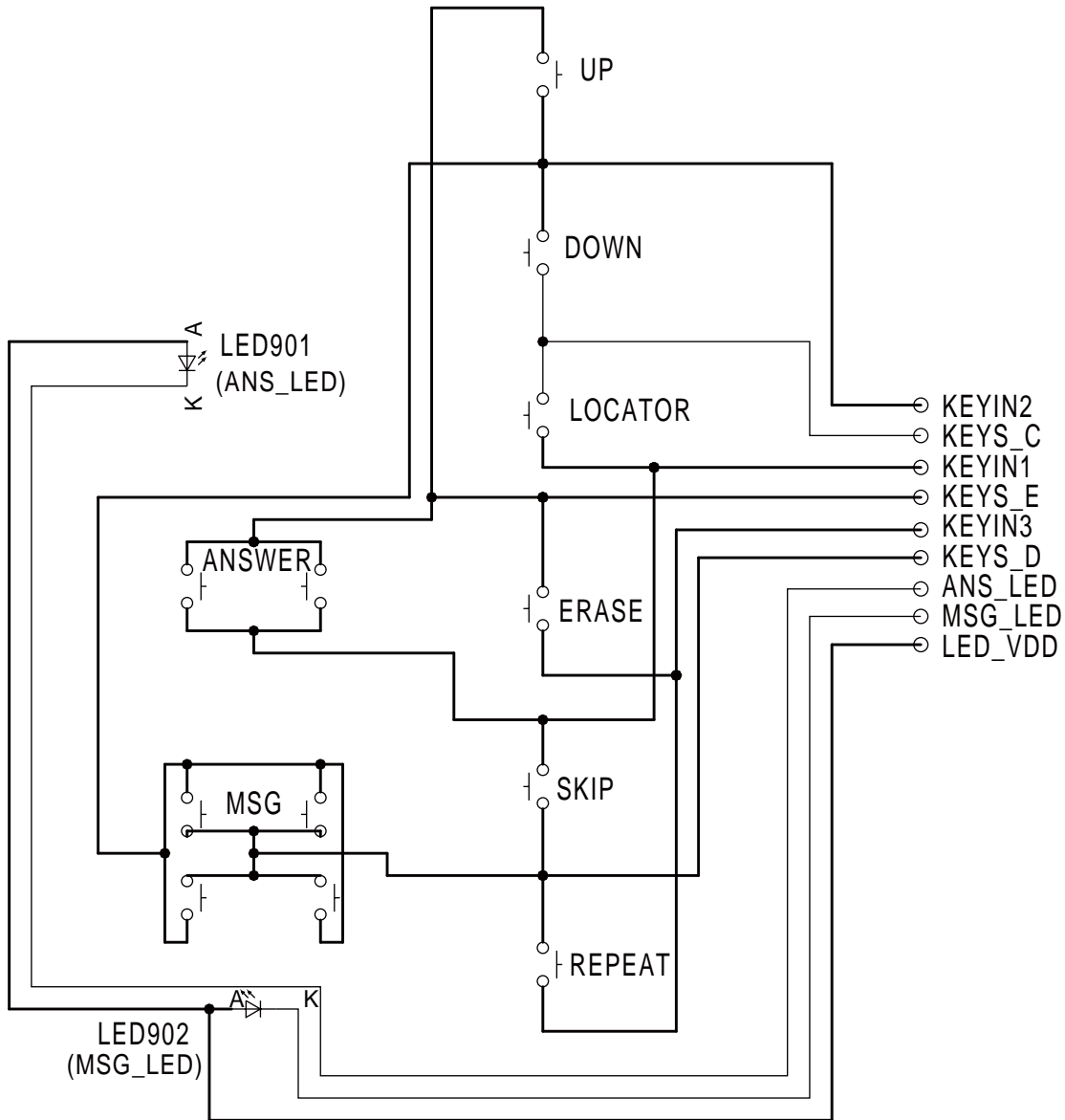
\*WBX01 9pin  
PARALLEL WIRE



NC: No Components



### 7.3. Base Unit (Operation)



NC: No Components

KX-TGC220/KX-WP120 SCHEMATIC DIAGRAM (Base Unit\_Operation)

**Memo**





## 8 Exploded View and Replacement Parts List

### 8.1. Replacement Parts List

1. RTL (Retention Time Limited)

**Note:**

The "RTL" marking indicates that its Retention Time is Limited.

When production is discontinued, this item will continue to be available only for a specific period of time.

This period of time depends on the type of item, and the local laws governing parts and product retention. At the end of this period, the item will no longer be available.

2. Important safety notice

Components identified by the  $\Delta$  mark indicates special characteristics important for safety. When replacing any of these components, only use specified manufacture's parts.

3. ISO code (Example: ABS-94HB) of the remarks column shows quality of the material and a flame resisting grade about plastics.

Safety	Ref. No.	Part No.	Part Name & Description	Remarks
	A1	PQJA10075Z	CORD, TELEPHONE	
$\Delta$	A2	PNLV226Z	AC ADAPTOR	
	A3	PNQX6482Z	INSTRUCTION BOOK (*1) (*2)	
	A4	PNQX6600Z	INSTRUCTION BOOK (*1) (*3)	
	A5	PNQX6592Z	INSTRUCTION BOOK (*1) (*4)	
	A6	PNQW2611Z	LEAFLET	
	A7	PNLC1055ZS	CHARGER UNIT	
	A7-1	PNLV233-AZ	AC ADAPTOR FOR CHARGER UNIT	
	A8	PNKK1077Z4	LID, BATTERY (*2) (*3)	ABS-HB
	A9	PNKK1077Z1	LID, BATTERY (*4)	ABS-HB
	A10	PNKK1038X4	LID, BATTERY (*5)	ABS-HB
	A11	PNHS1466Z	SPACER (*2)(*3)(*4)	
	A12	PNHS1079Z	SPACER (*5)	
	A13	PNYNTGCA20SR	LID, BATTERY ASS'Y (*2) (*3)	ABS-HB
	A14	PNYNTGCA20BR	LID, BATTERY ASS'Y (*4)	ABS-HB
	A15	PNYNTGDA20NR	LID, BATTERY ASS'Y (*5)	ABS-HB

**Note:**

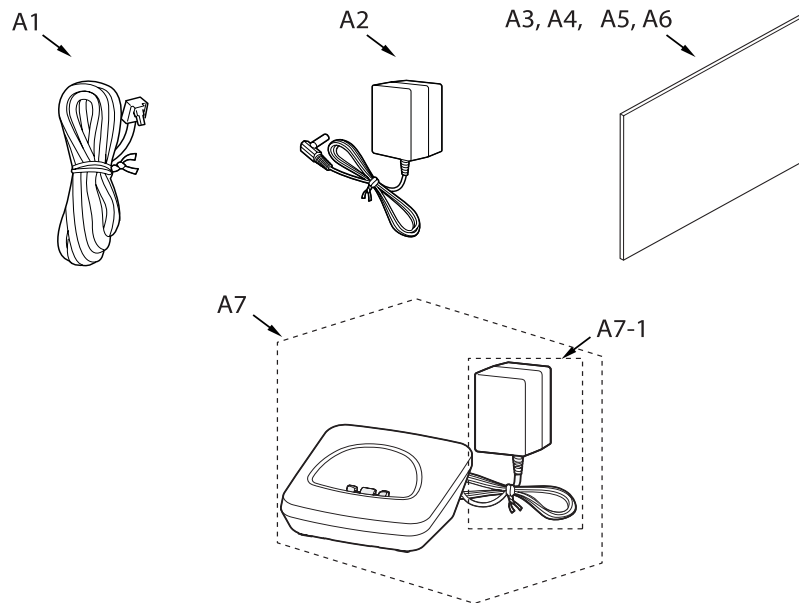
(\*1) You can download and refer to the Operating Instructions (Instruction book) on TSN Server.

(\*2) For KX-TGC210S, KX-TGC212S, KX-TGC213S, KX-TGC220S, KX-TGC222S, KX-TG403SKS.

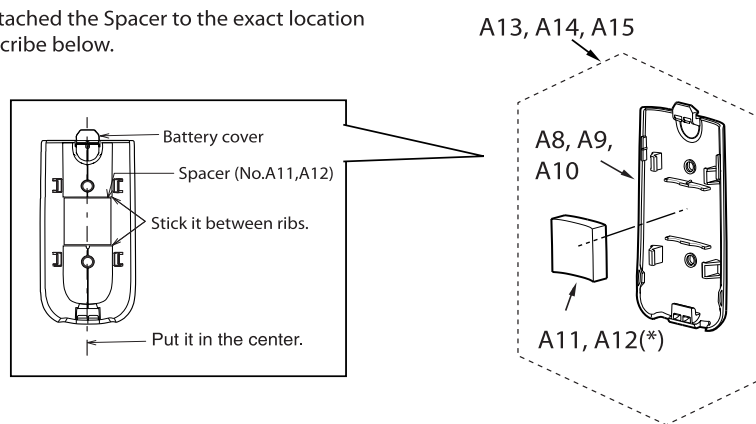
(\*3) For KX-TG433SKS.

(\*4) For KX-WP110B, KX-WP120B.

(\*5) For KX-TGDA20N.



\*Attached the Spacer to the exact location describe below.



QK  
KXTGC210S  
KXTGC212S  
KXTGC213S  
KXTGC220S  
KXTGC222S  
KXTG403SKS  
KXTG433SKS  
KXTGCA20S  
KXTGCA21S  
KXTGDA20N  
KXWP110B  
KXWP120B  
KXWPA20B