

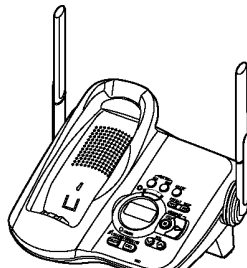
# Service Manual

## Telephone Equipment

Caller ID Compatible



(Handset) × 3



(Base Unit)



(Charger Unit) × 2

Model shown is KX-TG5633.

### Configuration for each model

Model No	Base Unit	Handset	Charger Unit	Expandable
KX-TG5631	1	1 (TGA560)	—	Non-expandable
KX-TG5632	1	2 (TGA560)	1	Expandable to 4
KX-TG5633	1	3 (TGA560)	2	Expandable to 4
KX-TGA560*	—	1	1	—

\* KX-TGA560 is also an optional accessory for KX-TG5632/5633, which contains a handset and a charger.

**KX-TG5631S**  
**KX-TG5632M**  
**KX-TG5633B**  
**KX-TGA560S**  
**KX-TGA560M**  
**KX-TGA560B**

5.8 GHz Digital Cordless Answering System

Silver Version

Metallic Gray Version

Black Version

(for U.S.A.)

### SPECIFICATION

	Base Unit	Handset	Charger
Power Supply	AC Adaptor (PQLV1W, 120 V AC, 60 Hz)	Rechargeable Ni-MH battery (3.6 V, 830 mAh) HHR-P104	AC Adaptor (KX-TCA1-2, 120 V AC, 60Hz)
Receiving/Transmitting Frequency	89 channels within 5.76GHz-5.84GHz	89 channels within 5.76GHz-5.84GHz	—
Receiving Method	Super Heterodyne	Super Heterodyne	—
Oscillation Method	PLL synthesizer	PLL synthesizer	—
Detecting Method	Quadrature Discriminator	Quadrature Discriminator	—
Tolerance of OSC Frequency	13.824MHz±270Hz	13.824MHz±100Hz	—
Modulation Method	Frequency Modulation	Frequency Modulation	—
Spread spectrum Method	Frequency Hopping Spread spectrum	Frequency Hopping Spread spectrum	—
ID Code	19bit	22bit	—
Security Codes	—	1,000,000	—
Ringer Equivalence No. (REN)	0.1B	—	—
Dialing Mode	—	Tone (DTMF)/Pulse	—
Redial	—	Up to 48 digits	—
Speed Dialer	—	Up to 32 digits (Phonebook)	—
Power Consumption	Standby: Approx. 2.2W, Maximum: Approx. 4.7W	11 days at Standby, 5 hours at Talk	Standby: Approx. 0.8W, Maximum: Approx. 3.6W
Operating Environment	5°C - 40°C (41°F - 104°F)	5°C - 40°C (41°F - 104°F)	5°C - 40°C (41°F - 104°F)
Dimensions (H x W x D)	Approx. 95mm × 174mm × 143mm (3 <sup>3</sup> / <sub>4</sub> " × 6 <sup>27</sup> / <sub>32</sub> " × 5 <sup>9</sup> / <sub>16</sub> ")	Approx. 173mm × 48mm × 33mm (6 <sup>13</sup> / <sub>16</sub> " × 1 <sup>7</sup> / <sub>8</sub> " × 1 <sup>5</sup> / <sub>16</sub> ")	Approx. 51mm × 88mm × 100mm (2" × 3 <sup>15</sup> / <sub>32</sub> " × 3 <sup>15</sup> / <sub>16</sub> ")
Mass (Weight)	Approx. 320 g (0.71 lb.)	Approx. 170 g (0.37 lb.)	Approx. 94 g (0.21 lb.)

- Optional Headset: KX-TCA60, KX-TCA86, KX-TCA88HA, KX-TCA91, KX-TCA92, KX-TCA98
- Design and specifications are subject to change without notice.
- The illustrations in this Service Manual may vary slightly from the actual product.

### IMPORTANT INFORMATION ABOUT LEAD FREE, (PbF), SOLDERING

If lead free solder was used in the manufacture of this product the printed circuit boards will be marked PbF.

Standard leaded, (Pb), solder can be used as usual on boards without the PbF mark.

When this mark does appear, please read and follow the special instructions described in this manual on the use of PbF and how it might be permissible to use Pb solder during service and repair work.

# Panasonic®

© 2006 Panasonic Communications Co., Ltd. All rights reserved. Unauthorized copying and distribution is a violation of law.

**⚠ WARNING**

This service information is designed for experienced repair technicians only and is not designed for use by the general public. It does not contain warnings or cautions to advise non-technical individuals of potential dangers in attempting to service a product. Products powered by electricity should be serviced or repaired only by experienced professional technicians. Any attempt to service or repair the product or products dealt with in this service information by anyone else could result in serious injury or death.

When you note the serial number, write down all 11 digits. The serial number may be found on the bottom of the unit.

**Note:**

Because CONTENTS 4 is the extract from the Operating Instructions of this model, it is subject to change without notice. You can download and refer to the original Operating Instructions on TSN Server for further information.

**CONTENTS**

	Page		Page
<b>1 ABOUT LEAD FREE SOLDER (PbF: Pb free)</b> .....	<b>4</b>	<b>9 DESCRIPTION</b> .....	<b>52</b>
1.1. Suggested PbF Solder .....	4	9.1. Frequency .....	52
1.2. How to Recognize that Pb Free Solder is Used .....	5	9.2. FHSS (Frequency Hopping Spread Spectrum) .....	52
<b>2 FOR SERVICE TECHNICIANS</b> .....	<b>6</b>	9.3. Signal Flowchart in the Whole System .....	54
<b>3 CAUTION</b> .....	<b>6</b>	<b>10 EXPLANATION OF LINK DATA COMMUNICATION</b> .....	<b>55</b>
<b>4 OPERATING INSTRUCTIONS</b> .....	<b>7</b>	10.1. Calling .....	55
4.1. Battery .....	7	10.2. To Terminate Communication .....	55
4.2. Location of Controls .....	9	10.3. Ringing .....	55
4.3. Displays .....	11	<b>11 BLOCK DIAGRAM (BASE UNIT_MAIN)</b> .....	<b>56</b>
4.4. Settings .....	13	<b>12 CIRCUIT OPERATION (BASE UNIT_MAIN)</b> .....	<b>57</b>
4.5. Troubleshooting .....	18	12.1. DSP (Digital Speech/Signal Processing: IC501) .....	57
<b>5 DISASSEMBLY INSTRUCTIONS</b> .....	<b>21</b>	12.2. Flash Memory (IC601) .....	57
5.1. Base Unit .....	21	12.3. Power Supply Circuit .....	58
5.2. Handset .....	22	12.4. Reset Circuit .....	60
5.3. Charger Unit .....	23	12.5. Telephone Line Interface .....	61
<b>6 HOW TO REPLACE THE HANDSET LCD</b> .....	<b>24</b>	12.6. Auto Disconnect Circuit .....	62
<b>7 TROUBLESHOOTING GUIDE</b> .....	<b>25</b>	12.7. Parallel Connection Detect Circuit .....	63
7.1. Check Power .....	26	12.8. Calling Line Identification (Caller ID)/Call Waiting Caller ID .....	64
7.2. Error Message Table .....	26	<b>13 BLOCK DIAGRAM (BASE UNIT_RF PART)</b> .....	<b>66</b>
7.3. Check Record .....	27	<b>14 BLOCK DIAGRAM (HANDSET_RF PART)</b> .....	<b>67</b>
7.4. Check Playback .....	28	<b>15 CIRCUIT OPERATION (RF PART)</b> .....	<b>68</b>
7.5. Check Battery Charge .....	28	15.1. Power Supply Circuit .....	69
7.6. Check Link .....	29	15.2. 2.4GHz Mod/Demod Circuit .....	70
7.7. Check the RF part .....	30	15.3. 5.8GHz Converter Circuit .....	71
7.8. Check Handset Transmission .....	37	15.4. 5.8GHz PA (Power Amplifier), 5.8GHz LNA (Low Noise Amplifier) and Antenna Switch Circuit .....	72
7.9. Check Handset Reception .....	37	<b>16 BLOCK DIAGRAM (HANDSET)</b> .....	<b>73</b>
7.10. Check Caller ID .....	37	<b>17 CIRCUIT OPERATION (HANDSET)</b> .....	<b>74</b>
<b>8 ADJUSTMENT AND TEST MODE</b> .....	<b>38</b>	17.1. Construction .....	74
8.1. Test Mode Flow Chart for Base Unit .....	38	17.2. Power Supply Circuit .....	75
8.2. Test Mode Flow Chart for Handset .....	42	17.3. Charge Circuit .....	76
8.3. X501 (Base Unit), X201 (Handset) Check .....	46	17.4. Ringer and Handset SP-Phone .....	76
8.4. Adjust Battery Low Detector Voltage (Handset) .....	46	17.5. Sending Signal .....	77
8.5. Base Unit Reference Drawing .....	47	17.6. Reception Signal .....	77
8.6. Handset Reference Drawing .....	48	<b>18 CIRCUIT OPERATION (CHARGER UNIT)</b> .....	<b>78</b>
8.7. Frequency Table .....	49		
8.8. How to Clear User Setting .....	51		

<b>19 SIGNAL ROUTE</b> .....	<b>79</b>	29.3. Charger Unit .....	101
<b>20 CPU DATA (BASE UNIT)</b> .....	<b>81</b>	29.4. Accessories and Packing Materials .....	101
20.1. IC501 .....	81	29.5. Fixtures and Tools .....	102
<b>21 CPU DATA (HANDSET)</b> .....	<b>82</b>	<b>30 FOR SCHEMATIC DIAGRAM</b> .....	<b>103</b>
21.1. IC201 .....	82	30.1. Base Unit (SCHEMATIC DIAGRAM (BASE UNIT_MAIN))	103
<b>22 EXPLANATION OF IC TERMINALS (RF PART)</b> .....	<b>83</b>	30.2. Handset (SCHEMATIC DIAGRAM (HANDSET_MAIN))	103
22.1. IC701 .....	83	30.3. Charger Unit (SCHEMATIC DIAGRAM (CHARGER UNIT))	103
22.2. IC801 .....	84	31 SCHEMATIC DIAGRAM (BASE UNIT_MAIN) .....	<b>104</b>
22.3. IC851 .....	85	<b>32 SCHEMATIC DIAGRAM (BASE UNIT_RF PART)</b> .....	<b>106</b>
<b>23 HOW TO REPLACE THE FLAT PACKAGE IC</b> .....	<b>86</b>	<b>33 SCHEMATIC DIAGRAM (BASE UNIT_OPERATION)</b> .....	<b>108</b>
23.1. PREPARATION .....	86	<b>34 SCHEMATIC DIAGRAM (HANDSET_MAIN)</b> .....	<b>110</b>
23.2. FLAT PACKAGE IC REMOVAL PROCEDURE .....	86	<b>35 SCHEMATIC DIAGRAM (HANDSET_RF PART)</b> .....	<b>112</b>
23.3. FLAT PACKAGE IC INSTALLATION PROCEDURE .....	87	<b>36 SCHEMATIC DIAGRAM (CHARGER UNIT)</b> .....	<b>114</b>
23.4. BRIDGE MODIFICATION PROCEDURE .....	87	<b>37 CIRCUIT BOARD (BASE UNIT_MAIN)</b> .....	<b>115</b>
<b>24 CABINET AND ELECTRICAL PARTS (BASE UNIT)</b> .....	<b>88</b>	37.1. Component View .....	115
<b>25 CABINET AND ELECTRICAL PARTS (HANDSET)</b> .....	<b>89</b>	37.2. Flow Solder Side View .....	116
<b>26 CABINET AND ELECTRICAL PARTS (CHARGER UNIT)</b> .....	<b>90</b>	<b>38 CIRCUIT BOARD (BASE UNIT_OPERATION)</b> .....	<b>117</b>
<b>27 ACCESSORIES AND PACKING MATERIALS</b> .....	<b>91</b>	38.1. Component View .....	117
27.1. KX-TG5631S .....	91	38.2. Flow Solder Side View .....	118
27.2. KX-TG5632M .....	92	<b>39 CIRCUIT BOARD (BASE UNIT_RF PART)</b> .....	<b>119</b>
27.3. KX-TG5633B .....	93	<b>40 CIRCUIT BOARD (HANDSET_MAIN)</b> .....	<b>121</b>
27.4. KX-TGA560M/B .....	94	40.1. Component View .....	121
<b>28 TERMINAL GUIDE OF THE ICs, TRANSISTORS AND DIODES</b>	<b>95</b>	40.2. Flow Solder Side View .....	122
28.1. Base Unit .....	95	<b>41 CIRCUIT BOARD (HANDSET_RF PART)</b> .....	<b>123</b>
28.2. Handset .....	95	<b>42 CIRCUIT BOARD (CHARGER UNIT)</b> .....	<b>124</b>
<b>29 REPLACEMENT PARTS LIST</b> .....	<b>96</b>	42.1. Component View .....	124
29.1. Base Unit .....	96	42.2. Flow Solder Side View .....	124
29.2. Handset .....	98		

# 1 ABOUT LEAD FREE SOLDER (PbF: Pb free)

## Note:

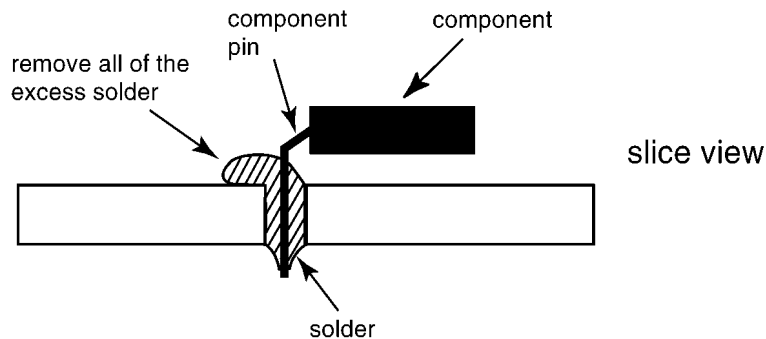
In the information below, Pb, the symbol for lead in the periodic table of elements, will refer to standard solder or solder that contains lead.

We will use PbF solder when discussing the lead free solder used in our manufacturing process which is made from Tin (Sn), Silver (Ag), and Copper (Cu).

This model, and others like it, manufactured using lead free solder will have PbF stamped on the PCB. For service and repair work we suggest using the same type of solder although, with some precautions, standard Pb solder can also be used.

## Caution

- PbF solder has a melting point that is 50°F ~ 70° F (30°C ~ 40°C) higher than Pb solder. Please use a soldering iron with temperature control and adjust it to 700°F ± 20° F (370°C ± 10°C). In case of using high temperature soldering iron, please be careful not to heat too long.
- PbF solder will tend to splash if it is heated much higher than its melting point, approximately 1100°F (600°C).
- If you must use Pb solder on a PCB manufactured using PbF solder, remove as much of the original PbF solder as possible and be sure that any remaining is melted prior to applying the Pb solder.
- When applying PbF solder to double layered boards, please check the component side for excess which may flow onto the opposite side (See the figure below).



## 1.1. Suggested PbF Solder

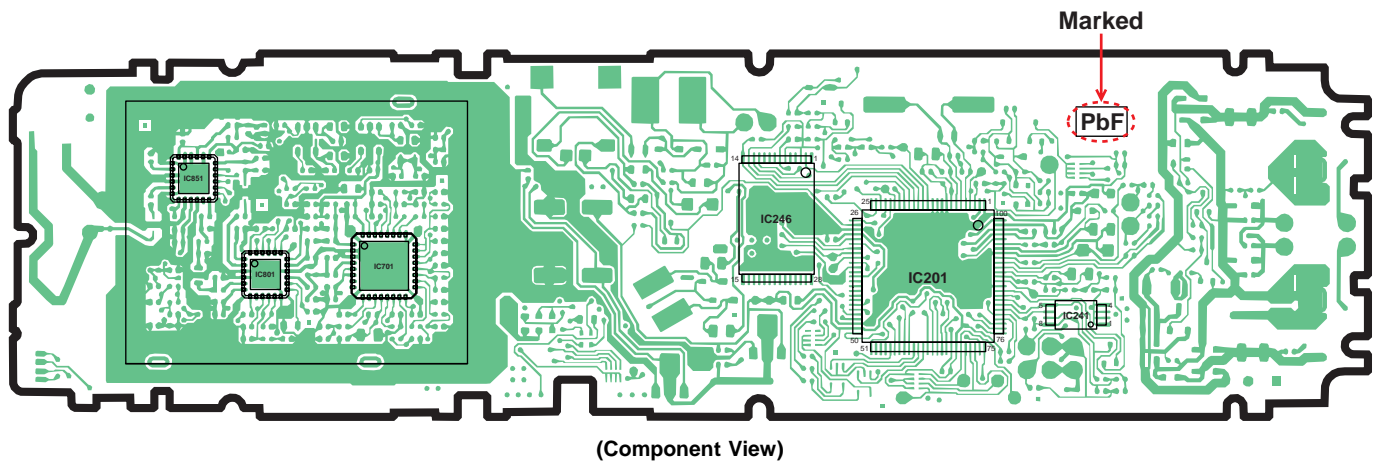
There are several types of PbF solder available commercially. While this product is manufactured using Tin, Silver, and Copper (Sn+Ag+Cu), you can also use Tin and Copper (Sn+Cu), or Tin, Zinc, and Bismuth (Sn+Zn+Bi). Please check the manufacturer's specific instructions for the melting points of their products and any precautions for using their product with other materials.

The following lead free (PbF) solder wire sizes are recommended for service of this product: 0.3mm, 0.6mm and 1.0mm.

0.3mm X 100g	0.6mm X 100g	1.0mm X 100g

## 1.2. How to Recognize that Pb Free Solder is Used

(Example: Handset P.C.B.)



**Note:**

The location of the "PbF" mark is subject to change without notice.

## 2 FOR SERVICE TECHNICIANS

ICs and LSIs are vulnerable to static electricity.

**When repairing, the following precautions will help prevent recurring malfunctions.**

1. Cover plastic parts boxes with aluminum foil.
2. Ground the soldering irons.
3. Use a conductive mat on worktable.
4. Do not grasp IC or LSI pins with bare fingers.

## 3 CAUTION

Danger of explosion if battery is incorrectly replaced.

Replace only with the same or equivalent type recommended by the manufacturer.

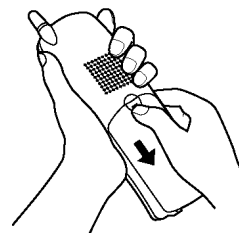
Dispose of used batteries according to the manufacturer's Instructions.

## 4 OPERATING INSTRUCTIONS

### 4.1. Battery

#### 4.1.1. Battery Installation/Replacement

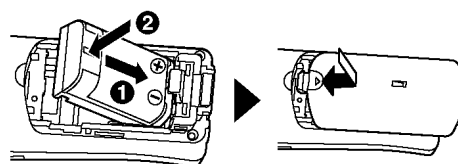
- 1 Press the notch of the handset cover firmly, and slide it in the direction of the arrow.
  - If necessary, remove the old battery.



- 2 Insert the battery (1), and press it down until it snaps into position (2). Then close the handset cover.

**Important:**

- Use only the rechargeable Panasonic battery HHR-P104.



**Attention:**

A nickel metal hydride battery that is recyclable powers the product you have purchased. Please call 1-800-8-BATTERY (1-800-822-8837) for information on how to recycle this battery.



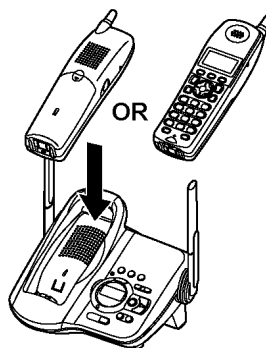
#### 4.1.2. Battery Charge

Place the handset on the base unit or charger for **7 hours** before initial use. While charging, "**Charging**" is displayed and the CHARGE indicator on the base unit lights. When the battery is fully charged, "**Charge completed**" is displayed.

**Note:**

- If you want to use the unit immediately, charge the battery for at least 15 minutes.
- To ensure that the battery charges properly, clean the charge contacts of the handset, base unit, and charger with a soft, dry cloth. Clean if the unit is subject to the exposure of grease, dust, or high humidity.

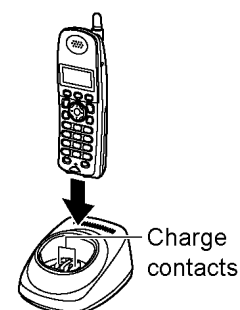
**Base unit:**



- Model shown is KX-TG5631.

**Charger:**




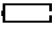
(KX-TG5632/KX-TG5633 only)



**Note for service:**

The battery strength may not be indicated correctly if the battery is disconnected and connected again, even after it is fully charged. In that case, by recharging the battery as mentioned above, you will get a correct indication of the battery strength.

### 4.1.3. Battery Level

Battery icon	Battery level
	Fully charged
	Medium
	Low Flashing: needs to be recharged.
	Empty

**Note:**

- When the battery needs to be charged, the handset beeps intermittently while it is in use.

### 4.1.4. Panasonic Battery Performance

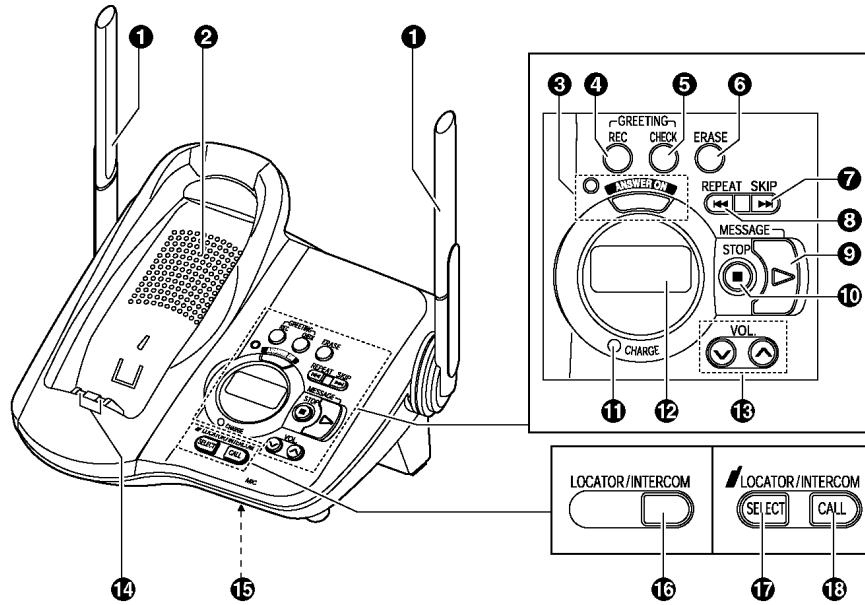
Operation	Operating time
While in use (talking)	Up to 5 hours
While not in use (standby)	Up to 11 days
While using the clarity booster feature	Up to 3 hours

**Note:**

- Battery operating time may be shortened over time depending on usage conditions and surrounding temperature.
- Battery power is consumed whenever the handset is off the base unit or charger, even when the handset is not in use. Hence the longer you leave the handset off the base unit or charger, the less time you may actually talk using the handset.
- After the handset is fully charged, displaying "**Charge completed**", it may be left on the base unit (or charger) without any ill effect on the battery.
- The battery level may not be displayed correctly after you replace the battery. In this case, place the handset on the base unit (or charger) and let charge for 7 hours.

## 4.2. Location of Controls

### 4.2.1. Base Unit

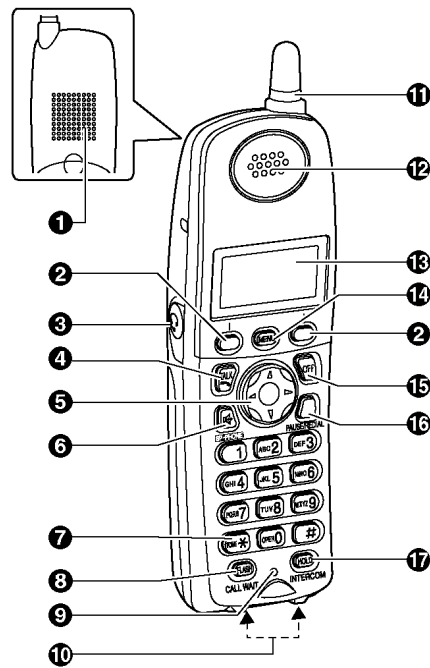


- ❶ Antennas
- ❷ Speaker
- ❸ [ANSWER ON]  
ANSWER ON indicator
- ❹ [GREETING REC] (Recording)
- ❺ [GREETING CHECK]
- ❻ [ERASE]
- ❼ [▶▶] (SKIP)
- ❽ [◀◀] (REPEAT)
- ❾ [MESSAGE]  
MESSAGE indicator
- ❿ [STOP]
- ⓫ CHARGE indicator
- ⓬ Display
- ⓭ VOL. (Volume) [V] [^]
- ⓮ Charge contacts
- ⓯ MIC (Microphone)
- ⓰ [LOCATOR/INTERCOM]<sup>\*1</sup>
- ⓱ [SELECT]<sup>\*2</sup>
- ⓲ [CALL]<sup>\*2</sup>

\*1 KX-TG5631

\*2 KX-TG5632/KX-TG5633

## 4.2.2. Handset



- |  |                     |
|--|---------------------|
| ① Speaker                                    | ⑩ Charge contacts   |
| ② Soft keys                                  | ⑪ Ringer indicator  |
| ③ Headset jack                               | Message indicator   |
| ④ [TALK]                                     | ⑫ Receiver          |
| ⑤ Navigator key ([UP] [DOWN] [LEFT] [RIGHT]) | ⑬ Display           |
| ⑥ [SP-PHONE]                                 | ⑭ [MENU]            |
| ⑦ [*] (TONE)                                 | ⑮ [OFF]             |
| ⑧ [FLASH] [CALL WAIT]                        | ⑯ [PAUSE/REDIAL]    |
| ⑨ Microphone                                 | ⑰ [HOLD] [INTERCOM] |

**Note:**

- Some operations not mentioned above are displayed as soft key selections during operation.

Example: [Mute]

## 4.3. Displays

### 4.3.1. Display Items

#### Base unit display items

Displayed item	Meaning
<b>FULL</b>	Flashes when message memory is full.
⊖	Flashes when the date and time need to be set.
<b>IN USE</b>	Base unit is on an intercom call, or handset is using the answering system. When flashing: base unit is paging or is being paged.
<b>LINE</b> <b>IN USE</b>	The line is in use. When flashing: the call is put on hold or the answering system is answering a call. When flashing rapidly: a call is being received.
<b>RINGER OFF</b>	Base unit ringer is off.
<i>E</i>	Greeting message recording error
<i>G</i> □	Answering system is in greeting only mode (caller messages are not recorded).
<i>H I</i>	Handset number; displayed when paging, being paged or registering.*1

\*1 KX-TG5632/KX-TG5633 only

#### Handset display items

Displayed item	Meaning
<b>VE</b>	Voice enhancer is on.
<b>■■■■</b>	Battery level

### 4.3.2. Troubleshooting (Handset LCD)

If the unit detects a problem, one of the following messages is shown on the display.

Display message	Cause/solution
<b>Busy</b>	<ul style="list-style-type: none"> <li>● The called base unit is in use.</li> <li>● Another handset or the called handset is in use.*<sup>1</sup></li> <li>● The handset you tried to copy phonebook items to is in use.*<sup>1</sup></li> <li>● The handset you are calling is too far from the base unit.*<sup>1</sup></li> </ul>
<b>Error!!</b>	<ul style="list-style-type: none"> <li>● The handset's registration has failed. Move the handset and base unit away from all electrical appliances and try again.</li> <li>● Another handset user tried to send phonebook items to you but there was an error. Have the other handset user re-send the items to you.*<sup>1</sup></li> </ul>
<b>---Incomplete--- Phonebook full</b>	<ul style="list-style-type: none"> <li>● The destination unit's phonebook memory is full. Erase unnecessary items from the destination unit's phonebook.*<sup>1</sup></li> </ul>
<b>Invalid</b>	<ul style="list-style-type: none"> <li>● There is no handset registered to the base unit matching the extension number you entered.*<sup>1</sup></li> </ul>
<b>No items stored</b>	<ul style="list-style-type: none"> <li>● Your phonebook or redial list is empty.</li> </ul>
<b>No link to base. Move closer to base, try again.</b>	<ul style="list-style-type: none"> <li>● The handset has lost communication with the base unit. Move closer to the base unit, and try again.</li> <li>● Confirm that the base unit's AC adaptor is plugged in.</li> <li>● Raise the base unit antennas.</li> <li>● The handset's registration may have been canceled. Re-register the handset.</li> </ul>
<b>Phonebook full</b>	<ul style="list-style-type: none"> <li>● There is no space to store new items in the phonebook. Erase unnecessary items.</li> </ul>
<b>Please lift up and try again.</b>	<ul style="list-style-type: none"> <li>● A handset button was pressed while the handset was on the base unit or charger. Lift the handset and press the button again.</li> </ul>
<b>System is busy. Please try again later.</b>	<ul style="list-style-type: none"> <li>● Other units are in use and the system is busy. Try again later.*<sup>1</sup></li> <li>● Another user is listening to messages. Try again later.</li> </ul>

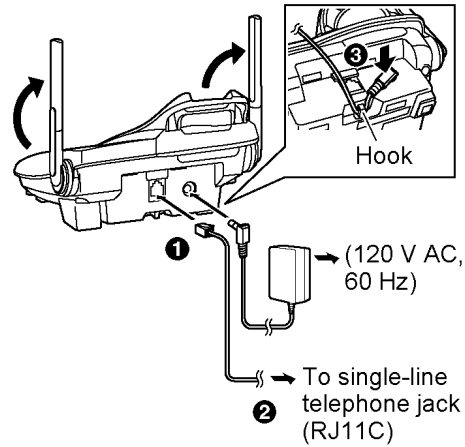
\*<sup>1</sup> KX-TG5632/KX-TG5633 only

## 4.4. Settings

### 4.4.1. Connecting the AC Adaptor and Telephone Line Cord

Connect the telephone line cord until it clicks into the base unit (❶) and telephone line jack (❷). Connect the AC adaptor cord by pressing the plug firmly (❸).

- Use only the included Panasonic AC adaptor PQLV1W.



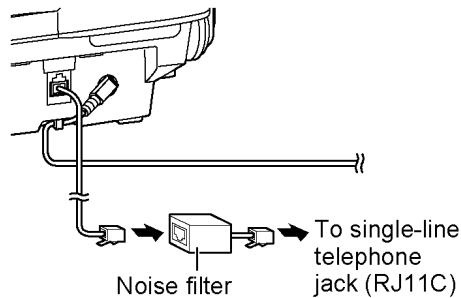
#### Note:

- The AC adaptor must remain connected at all times. (It is normal for the adaptor to feel warm during use.)
- The AC adaptor should be connected to a vertically oriented or floor-mounted AC outlet. Do not connect the AC adaptor to a ceiling-mounted AC outlet, as the weight of the adaptor may cause it to become disconnected.
- The unit will not work during a power failure. We recommend connecting a standard telephone to the same telephone line or to the same telephone jack using a Panasonic T-adaptor. Emergency power can be supplied to the unit by connecting a Panasonic battery back-up power supply KX-TCA200.

#### If you subscribe to a DSL service

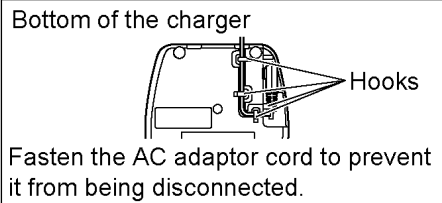
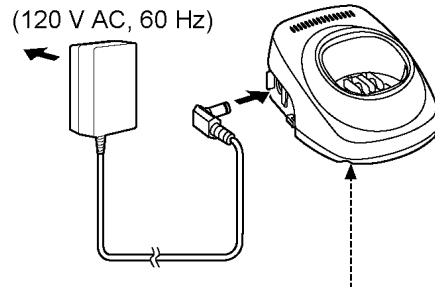
Please attach a noise filter (contact your DSL provider) to the telephone line between the base unit and the telephone line jack in the event of the following:

- Noise is heard during conversations.
- Caller ID features do not function properly.



#### 4.4.2. Connecting the Charger (KX-TG5632/KX-TG5633 only)

- Use only the included Panasonic AC adaptor KX-TCA1-2.



### 4.4.3. Programmable Settings

You can customize the unit by programming the following features using the handset. To access the features, there are 2 methods: scrolling through the display menus or using the direct commands.

- Mainly the direct command method is used in this Service Manual.

#### 4.4.3.1. Programming by Scrolling through the Display Menus

##### 1 [MENU]

2 Press [▲] or [▼] to select the desired menu. → [Select]

- If there is a sub-menu(s), press [▲] or [▼] to select the desired item. → [Select]

**Example:** To access the handset ringer tone setting

Press [▲] or [▼] to select "Ringer setting". → [Select]

Then press [▲] or [▼] to select "Ringer tone". → [Select]

3 Press [▲] or [▼] to select the desired setting.

- This step may vary depending on the feature being programmed.

##### 4 [Save] → [OFF]

Main menu	Sub-menu 1	Sub-menu 2
Message play	–	–
Ringer setting	Ringer volume	–
	Ringer tone	–
	Ring color	–
Date and time <sup>*1</sup>	–	–
Voice enhancer	–	–
Caller IQ <sup>*2</sup>	View Info.?	–
	Get new Info.?	–
	Turn CIQ off?	–
Copy phonebook <sup>*3</sup>	Copy 1 item	–
	Copy all items	–
Customer support	–	–
Initial setting	Set answering	Ring count <sup>*1</sup>
		Recording time <sup>*1</sup>
		Remote code <sup>*1</sup>
	Message alert	–
	LCD contrast	–
	Key tone	–
	Auto talk	–
	Caller ID edit	–
	Time adjustment <sup>*1</sup>	–
	Set tel line	Set dial mode <sup>*1</sup>
		Set flash time <sup>*1</sup>
		Set line mode <sup>*1</sup>
	Set base unit	Ringer tone <sup>*1</sup>
		Talking CallerID <sup>*1</sup>
Registration	–	
Change language	–	

\*1 If you program these settings using one of the handsets, you do not need to program the same item using another handset (KX-TG5632/KX-TG5633 only).

\*2 See the leaflet included with this unit for more information.

\*3 KX-TG5632/KX-TG5633 only

### 4.4.3.2. Programming Using the Direct Commands

#### 1 [MENU]

2 Enter the desired feature code.

3 Enter the desired setting code.

- This step may vary depending on the feature being programmed.

4 [Save] → [OFF]

#### Note:

- In the following table:
  - < > shows the default setting.
  - If “System setting” column is checked, you do not need to program the same item using another handset (KX-TG5632/KX-TG5633 only).
- If you make a mistake or enter the wrong code, press [OFF], then start again by pressing [MENU].

Feature	Feature code	Setting code	System setting
Auto talk <sup>*1</sup>	[0][3]	[1]: On [0]: <Off>	–
Caller ID edit (Caller ID number auto edit)	[0][4]	[1]: <On> [0]: off	–
Change language (Display language)	[0][8]	[1]: <English> [2]: Español	–
Copy phonebook (1 item) <sup>*2</sup>	[#][1]		–
Copy phonebook (all items) <sup>*2</sup>	[#][2]		–
Date and time	[4]		●
Key tone <sup>*3</sup>	[0][2]	[1]: <On> [0]: off	–
LCD contrast (Display contrast)	[0][1]	[1]–[6]: Level 1–6 <3>	–
Message alert	[0][#]	[1]: On [0]: <off>	–
Message play	[2]	–	–
Recording time	[0][6][2]	[1]: 1min [2]: 2min [3]: <3min> [0]: Greeting only	●
Registration	[0][0]		–
Remote code	[0][6][3]		●
Ring count	[0][6][1]	[2]–[7]: 2–7 rings <4> [0]: Toll saver	●

Feature	Feature code	Setting code	System setting
<b>Ring color</b> (Ringer indicator color)	<b>[1][4]</b>	<b>[1]: &lt;Color1&gt;=Amber</b> <b>[2]: Color2=Green</b> <b>[3]: Color3=Red</b> <b>[4]: Multicolor</b>	–
<b>Ringer tone</b> (Base unit)	<b>[0][*][1]</b>	<b>[1]–[3]: Tone &lt;1&gt;–3</b>	–
<b>Ringer tone</b> (Handset) <sup>*4</sup>	<b>[1][2]</b>	<b>[1]–[3]: Tone &lt;1&gt;–3</b> <b>[4]–[7]: Melody 1–4</b>	–
<b>Ringer volume</b> (Handset)	<b>[1][1]</b>	<b>[1]: Low [2]: Medium</b> <b>[3]: &lt;High&gt; [0]: Off</b>	–
<b>Set dial mode</b>	<b>[0][5][1]</b>	<b>[1]: Pulse [2]: &lt;Tone&gt;</b>	●
<b>Set flash time</b> <sup>*5</sup>	<b>[0][5][2]</b>	<b>[1]: &lt;700ms&gt; [2]: 600ms</b> <b>[3]: 400ms [4]: 300ms</b> <b>[5]: 250ms [6]: 110ms</b> <b>[7]: 100ms [8]: 90ms</b>	●
<b>Set line mode</b> <sup>*6</sup>	<b>[0][5][3]</b>	<b>[1]: A [2]: &lt;B&gt;</b>	●
<b>Time adjustment</b> <sup>*7</sup> (Caller ID subscribers only)	<b>[0][9]</b>	<b>[1]: &lt;Caller ID[auto]&gt;</b> <b>[0]: Manual</b>	●
<b>Voice enhancer</b>	<b>[5]</b>	<b>[1]: On [0]: &lt;Off&gt;</b>	–

\*1 If you subscribe to Caller ID service and want to view the caller's information after lifting up the handset to answer a call, turn off this feature.

\*2 KX-TG5632/KX-TG5633 only

\*3 You can select whether or not key tones are heard when keys are pressed. Includes confirmation tones and error tones.

\*4 If you subscribe to a distinctive ring service (such as IDENT-A-RING), select a tone (tone 1 to 3). If you select a melody, you cannot distinguish lines by their ringers.

\*5 The flash time depends on your telephone exchange or host PBX. Consult your PBX supplier if necessary. The setting should stay at "700ms" unless pressing **[FLASH]** fails to pick up the call waiting call.

\*6 Generally, the line mode setting should not be adjusted. If "Line in use" is not displayed when another phone connected to the same line is in use, you need to change the line mode to "A".

\*7 This feature allows the unit to automatically adjust the date and time setting when caller information is received. To use this feature, set the date and time first.

### Customer support

The handset can display the Internet address where you can download the operating instructions or get further information for this product using your computer.

**[MENU]** → "Customer support" → **[Select]** → **[OFF]**

## 4.5. Troubleshooting

If the handset display shows error messages, see “**Troubleshooting (Handset LCD) (P.12)**” for the Cause & Solution.


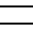
### General use

Problem	Cause/solution
The unit does not work.	<ul style="list-style-type: none"> <li>● Make sure the battery is installed correctly and fully charged.</li> <li>● Check the connections.</li> <li>● Unplug the base unit's AC adaptor to reset the unit. Reconnect the adaptor and try again.</li> <li>● The handset has not been registered to the base unit. Register the handset.</li> </ul>
I cannot hear a dial tone.	<ul style="list-style-type: none"> <li>● Confirm the telephone line cord is properly connected.</li> <li>● Disconnect the unit from the telephone line and connect a known working telephone. If the working telephone operates properly, contact our service personnel to have the unit repaired. If the working telephone does not operate properly, contact your telephone company.</li> </ul>

### Programmable settings

Problem	Cause/solution
I cannot program items.	<ul style="list-style-type: none"> <li>● While another user is listening to messages or the answering system is answering a call, you cannot program items. Try again later.</li> </ul>
While programming, the handset starts to ring.	<ul style="list-style-type: none"> <li>● A call is being received. Answer the call and start again after hanging up.</li> </ul>

### Battery recharge

Problem	Cause/solution
I charged the battery fully, but  continues to flash, or  is displayed.	<ul style="list-style-type: none"> <li>● Clean the charge contacts and charge again.</li> <li>● The battery may need to be replaced with a new one.</li> </ul>
The handset display is blank.	<ul style="list-style-type: none"> <li>● Confirm that the battery is properly installed.</li> <li>● Fully charge the battery.</li> </ul>

**Making/answering calls, intercom**

<b>Problem</b>	<b>Cause/solution</b>
Static is heard, sound cuts in and out. Interference from other electrical units.	<ul style="list-style-type: none"> <li>● Move the handset and the base unit away from other electrical appliances.</li> <li>● Move closer to the base unit.</li> <li>● Raise the base unit antennas.</li> <li>● Turn on the clarity booster feature.</li> <li>● If your unit is connected to a telephone line with DSL service, we recommend connecting a noise filter between the base unit and the telephone line jack. Contact your DSL provider for details.</li> </ul>
The handset does not ring.	<ul style="list-style-type: none"> <li>● The ringer volume is turned off. Adjust it.</li> </ul>
The base unit does not ring.	<ul style="list-style-type: none"> <li>● The ringer volume is turned off. Adjust it.</li> </ul>
I cannot make a call.	<ul style="list-style-type: none"> <li>● The dialing mode may be set incorrectly. Change the setting.</li> <li>● The base unit or another handset is in use. Try again later.</li> </ul>
I cannot redial by pressing <b>[REDIAL]</b> .	<ul style="list-style-type: none"> <li>● If the last number dialed was more than 48 digits long, the number will not be redialed correctly. Dial the number manually.</li> </ul>
I cannot have a conversation using the headset.	<ul style="list-style-type: none"> <li>● Make sure that an optional headset is connected properly.</li> <li>● If "<b>SP-phone</b>" is displayed on the handset, press <b>[↶]</b> to switch to the headset.</li> </ul>
I cannot make long distance calls.	<ul style="list-style-type: none"> <li>● Make sure that you have long distance service.</li> </ul>
I cannot page the handset.	<ul style="list-style-type: none"> <li>● The called handset is too far from the base unit.</li> <li>● The called handset is in use. Try again later.</li> </ul>
I cannot page the base unit.	<ul style="list-style-type: none"> <li>● The base unit is in use. Try again later.</li> </ul>

**Phonebook**

<b>Problem</b>	<b>Cause/solution</b>
Copying stopped with an item displayed. <sup>*1</sup>	<ul style="list-style-type: none"> <li>● The destination handset may have lost communication with the base unit, or the destination unit user may have pressed <b>[↶]</b> or <b>[↷]</b>. The displayed phonebook item was not copied to the unit. Press <b>[OFF]</b>. Confirm that the destination unit is not in use and try again.</li> </ul>

\*1 KX-TG5632/KX-TG5633 only

### Caller ID

Problem	Cause/solution
The handset does not display the caller's name and/or phone number.	<ul style="list-style-type: none"> <li>You have not subscribed to Caller ID service. Contact your telephone company to subscribe.</li> <li>If your unit is connected to any additional telephone equipment such as a Caller ID box or cordless telephone jack, disconnect the unit from the equipment and plug the unit directly into the wall jack.</li> <li>If your unit is connected to a telephone line with DSL service, we recommend connecting a noise filter between the base unit and the telephone line jack. Contact your DSL provider for details.</li> <li>The name display service may not be available in some areas. Contact your telephone company for details.</li> <li>Other telephone equipment may be interfering with this unit. Disconnect the other equipment and try again.</li> <li>The caller requested not to send caller information.</li> <li>If a call is being transferred to you, the caller information is not displayed.</li> </ul>
The caller list/incoming phone numbers are not edited automatically.	<ul style="list-style-type: none"> <li>The Caller ID number auto edit feature is turned off. Turn it on and try again.</li> <li>You need to call back the edited number to activate Caller ID number auto edit.</li> </ul>
I cannot dial the phone number edited in the caller list.	<ul style="list-style-type: none"> <li>The phone number you dialed might have an incorrectly edited pattern (for example, the long distance "1" or the area code is missing). Edit the phone number with another pattern.</li> </ul>
The 2nd caller's information is not displayed during an outside call.	<ul style="list-style-type: none"> <li>In order to use Caller ID, Call Waiting, or Call Waiting Caller ID (CWID), you must first contact your telephone company and subscribe to the desired service. After subscribing, you may need to contact your telephone company again to activate this specific service, even if you already subscribed to both Caller ID and Call Waiting with Caller ID services (CWID).</li> </ul>

### Answering system

Problem	Cause/solution
I cannot listen to messages from a remote location.	<ul style="list-style-type: none"> <li>A touch tone phone is required for remote operation.</li> <li>Enter the remote code correctly.</li> <li>The answering system is off. Turn it on.</li> </ul>
The unit does not record new messages.	<ul style="list-style-type: none"> <li>The recording time is set to "<b>Greeting only</b>". Select a different setting.</li> <li>The message memory is full. Erase unnecessary messages.</li> <li>If you subscribe to the Voice Mail service, messages are recorded by the telephone company not your telephone.</li> </ul>
I cannot operate the answering system.	<ul style="list-style-type: none"> <li>Someone is operating the answering system.</li> <li>If someone is talking on a conference call, you cannot operate the answering system. Try again later.*1</li> </ul>
The message indicator on the handset flashes.	<ul style="list-style-type: none"> <li>New messages have been recorded. Listen to the new messages.</li> </ul>

\*1 KX-TG5632/KX-TG5633 only

# 5 DISASSEMBLY INSTRUCTIONS

## 5.1. Base Unit

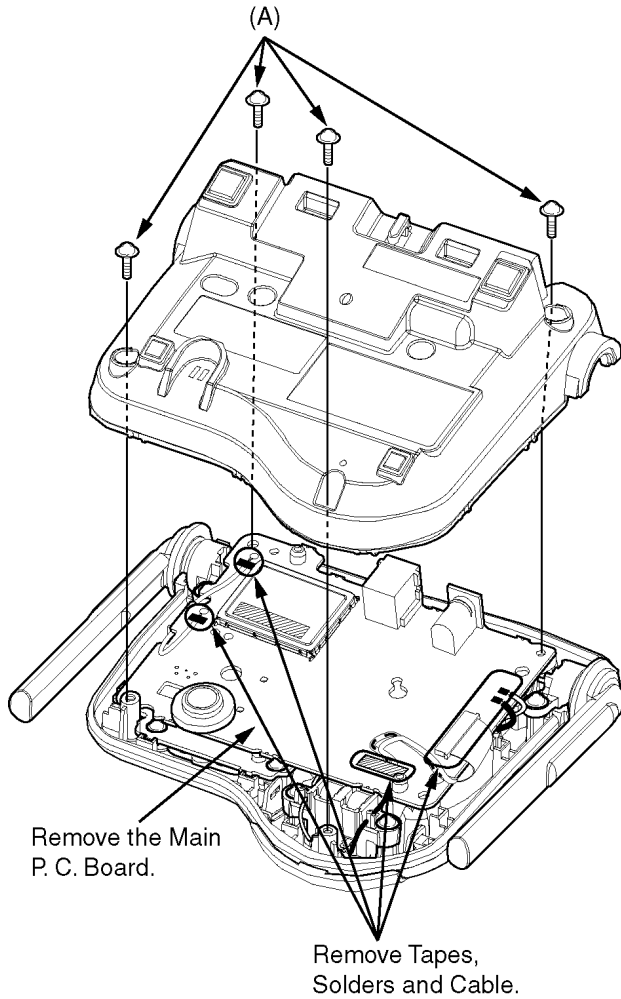


Fig. 1

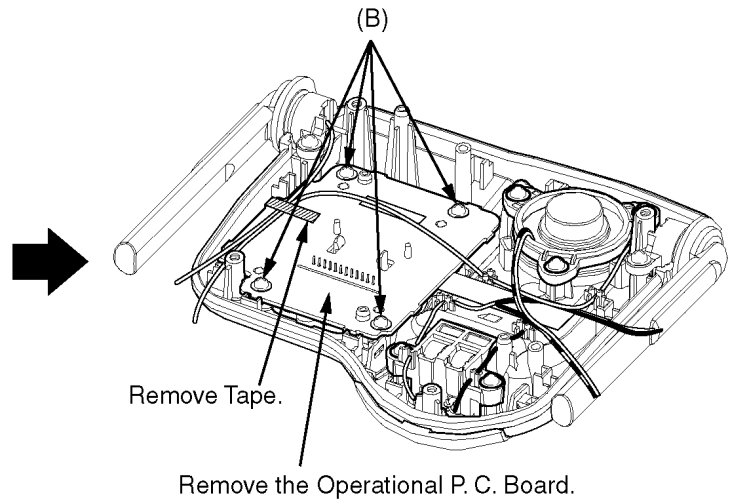


Fig. 2

Shown in Fig.-	To Remove -	Remove -
1	Cabinet Cover	Screws (2.6 × 12).....(A) × 4
	Main P. C. Board	Tapes, Solders and Cable Main P. C. Board
2	Operational P. C. Board	Tape
		Screws (2.6 × 8).....(B) × 4
		Operational P. C. Board

## 5.2. Handset

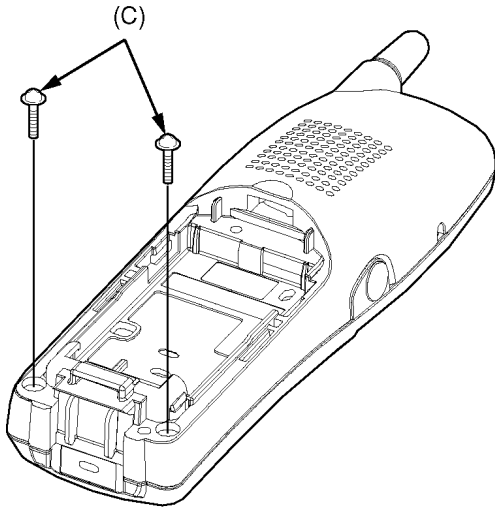


Fig. 3

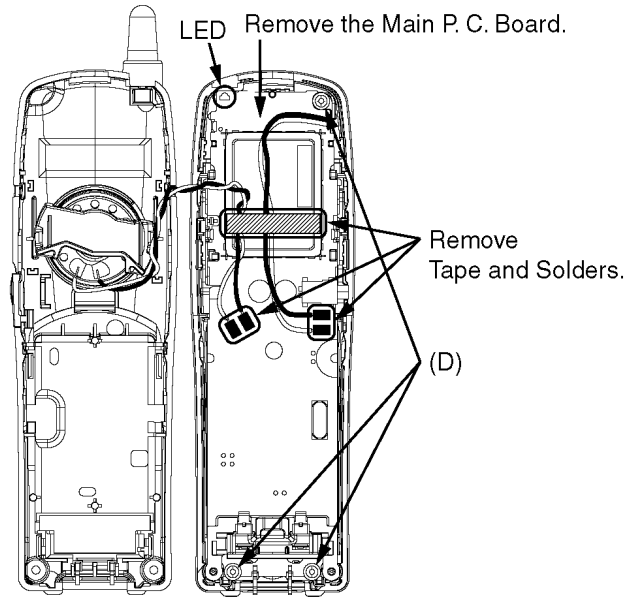
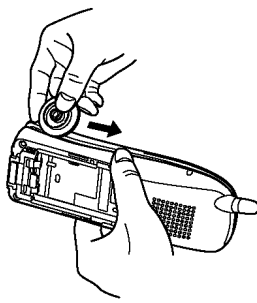
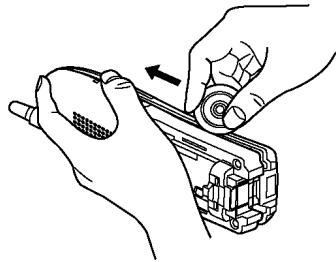


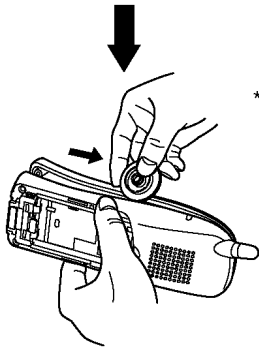
Fig. 5



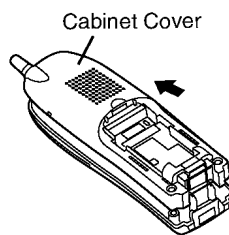
Insert a JIG (PQDJ10006Y) between the Cabinet Body and the Cabinet Cover, then pull it along the gap to open the Cabinet.



Likewise, open the other side of the Cabinet.



\* Be careful not to damage LED. Refer to Fig. 5.



Remove the Cabinet Cover by pushing it upward.

Fig. 4

Shown in Fig.-	To Remove -	Remove -
3	Cabinet Cover	Screws (2 × 14).....(C) × 2
4		Follow the procedure.
5	Main P. C. Board	Tape and Solders
		Screws (2 × 9).....(D) × 3
		Main P. C. Board

### 5.3. Charger Unit

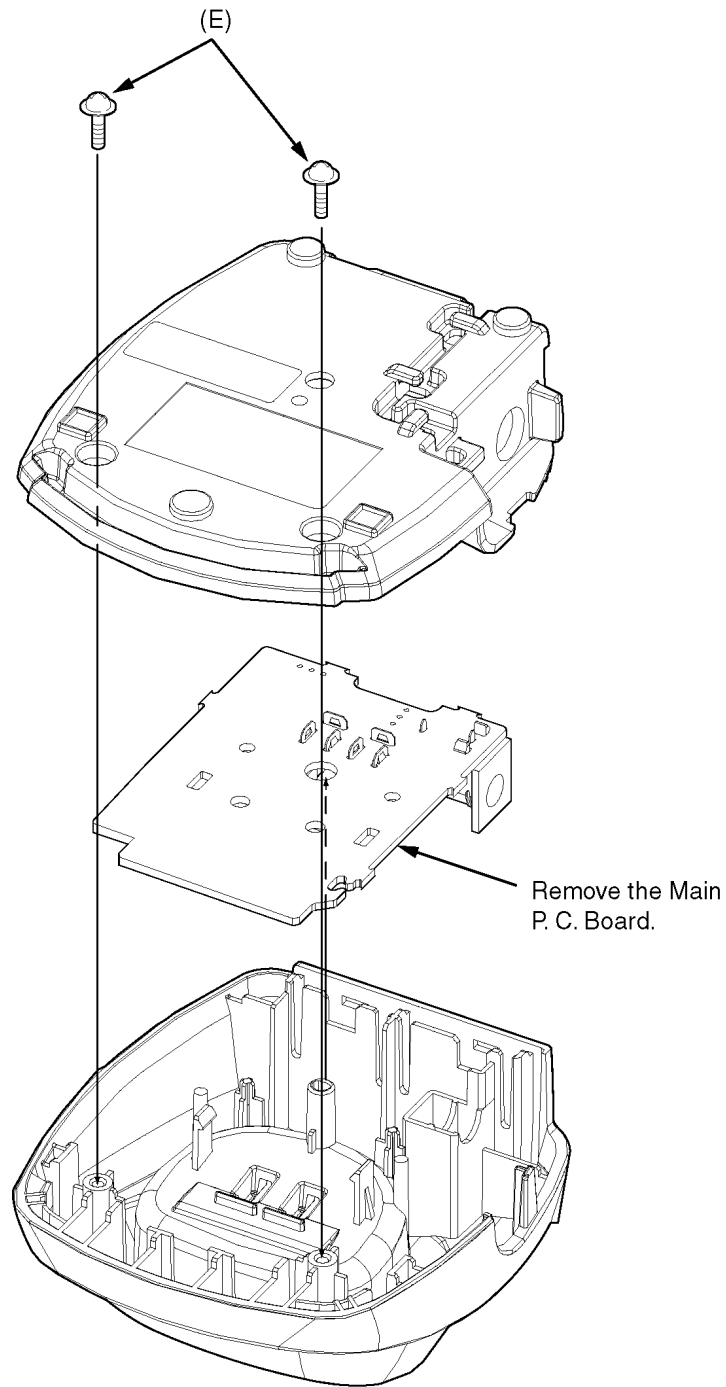
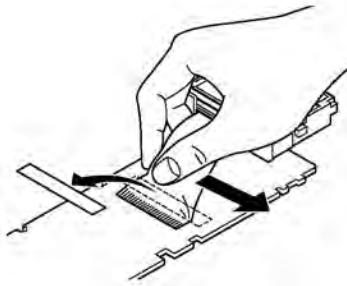


Fig. 6

Shown in Fig.-	To Remove -	Remove -
6	Cabinet Cover	Screws (2.6 × 12).....(E) × 2
	Main P.C.Board	Main P.C.Board

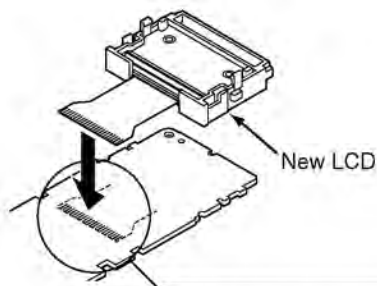
# 6 HOW TO REPLACE THE HANDSET LCD

①



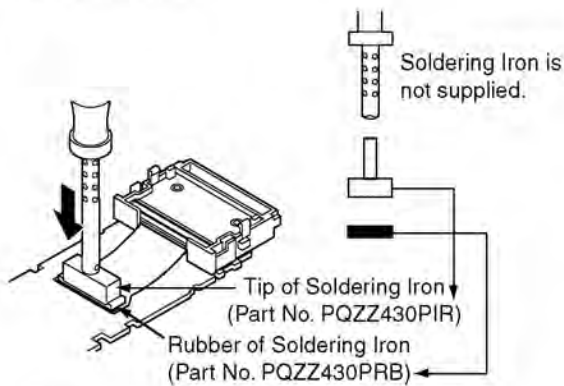
Remove the tape, and then peel off the FFC (Flexible Flat Cable) of LCD in the direction of the arrow not to damage the foil on the P.C. Board.

②



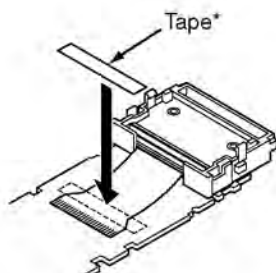
Fit the Heatseal of a New LCD to the P.C. Board.

③

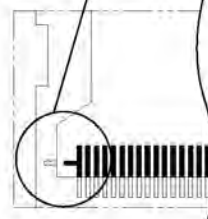
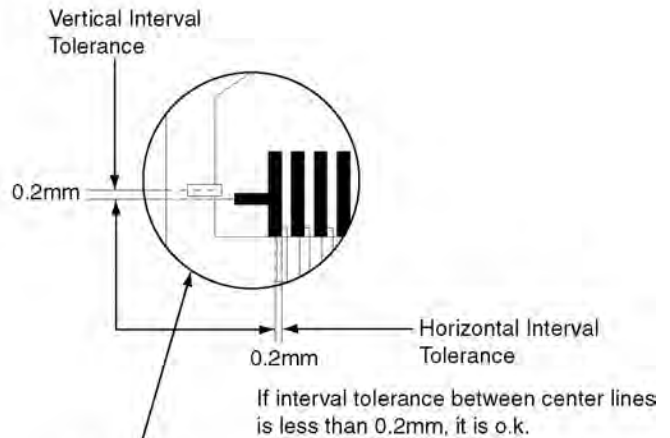


Press the Heatseal with the Tip of Soldering Iron about 5 to 8 seconds (in case of 60W soldering iron).

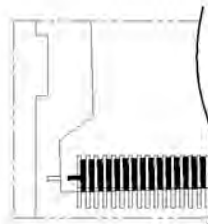
④



Stick the Tape\* over the Heatseal.  
\* Use the Tape which was removed first.

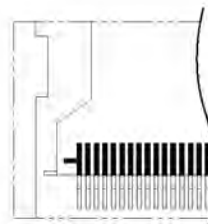


OK



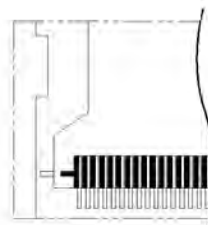
NG

(Inclined)



NG

(Vertical interval tolerance is more than 0.2mm.)

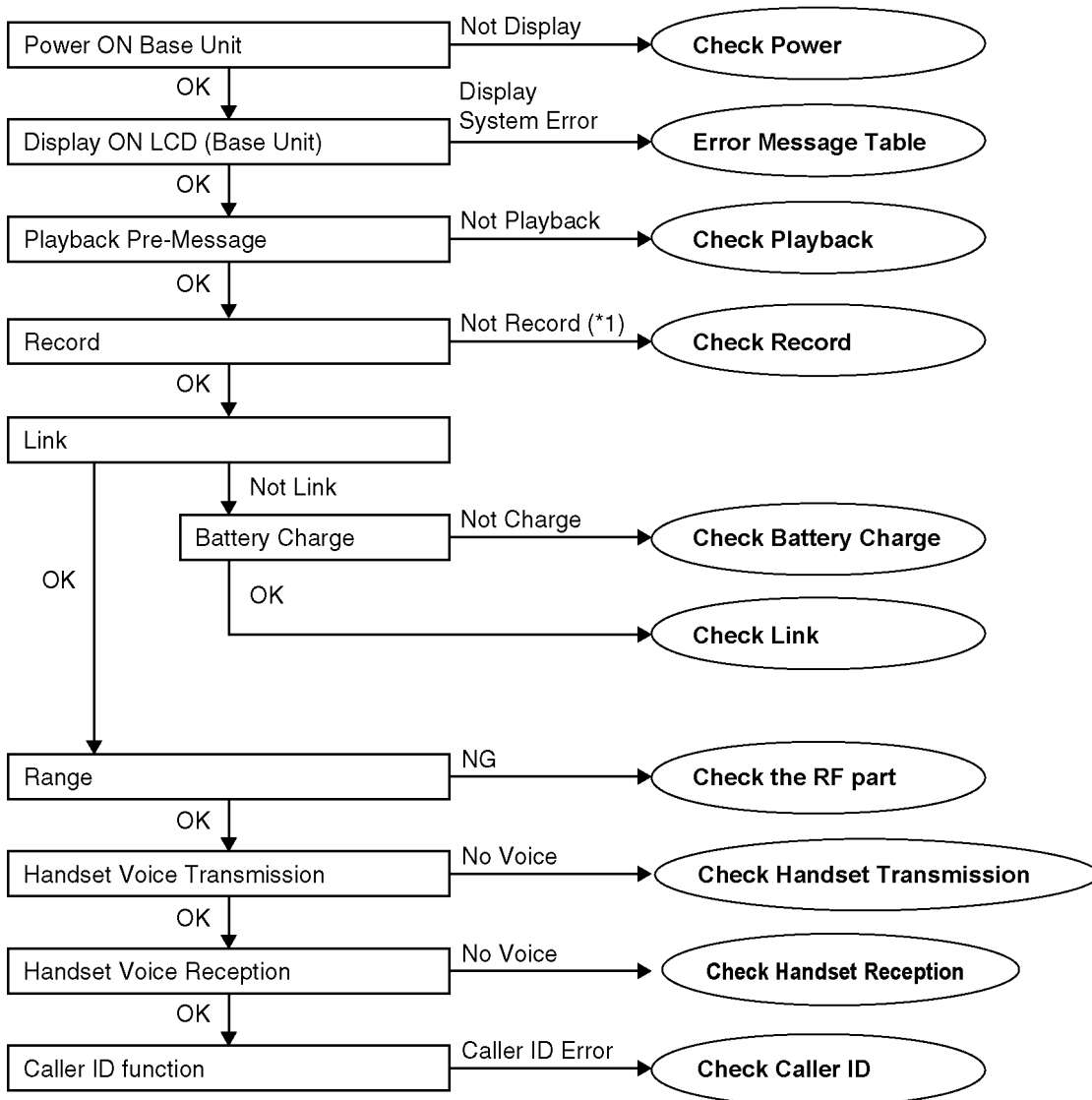


NG

(Horizontal interval tolerance is more than 0.2mm.)

# 7 TROUBLESHOOTING GUIDE

## FLOW CHART



### Cross Reference:

- Check Power** (P.26)
- Error Message Table** (P.26)
- Check Playback** (P.28)
- Check Record** (P.27)
- Check Battery Charge** (P.28)
- Check Link** (P.29)
- Check the RF part** (P.30)
- Check Handset Transmission** (P.37)
- Check Handset Reception** (P.37)
- Check Caller ID** (P.37)

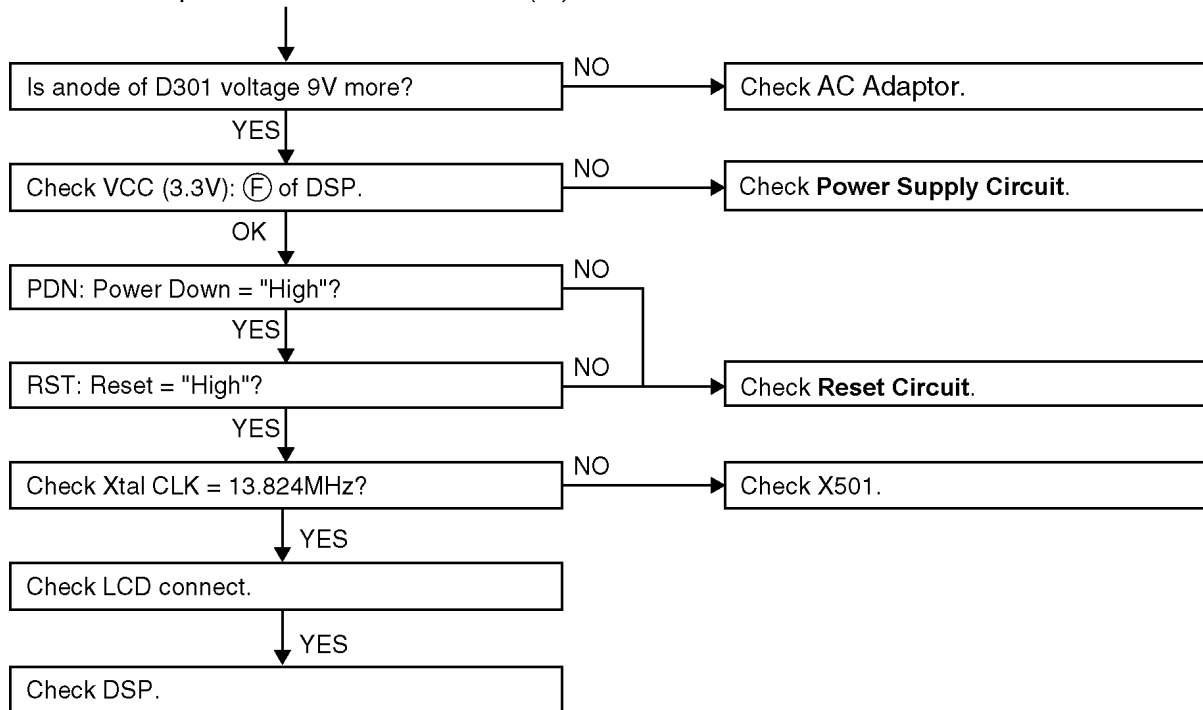
### Note:

(\*1) When a user claims that the unit disconnects a call right after the greeting message and no incoming messages can be recorded, this symptom can not be reappeared with TEL simulator in the service center. So in that case try **Check Record** (P.27) item (C), (D).

## 7.1. Check Power

### BASE UNIT

Is the AC Adaptor inserted into AC outlet? (\*1)



#### Cross Reference:

**Power Supply Circuit** (P.58)

**Reset Circuit** (P.60)

#### Note:

Flash Memory is IC601.

DSP is IC501.

(\*1) Refer to "**SPECIFICATION**" on cover page for part number and supply voltage of AC adaptor.

## 7.2. Error Message Table

Display	Symptom	Remedy
E1	The initialization was tried, but it could not be done.	1. Check the peripheral circuit of Flash Memory visually.
E3 E9	When the adjustment data was checked, an error was detected. (The adjustment data may not be written.)	2. Confirm that the voltage is added to the power supply pin. If no voltage is detected, replace the Flash Memory because it might be defect. 3. Solder the Flash Memory again.

#### Note:

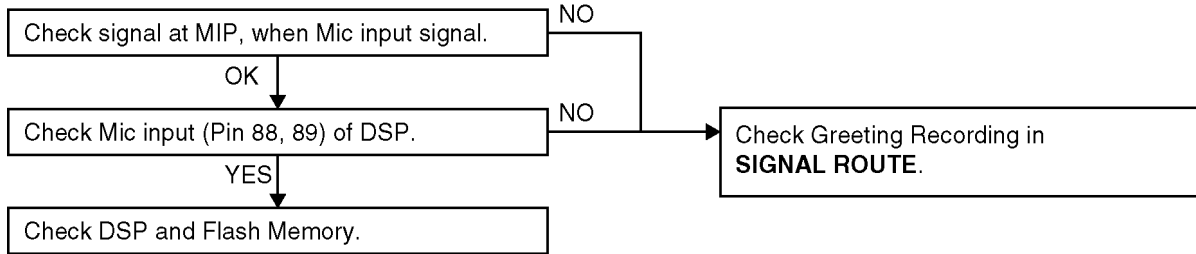
Flash Memory is IC601.

DSP is IC501.

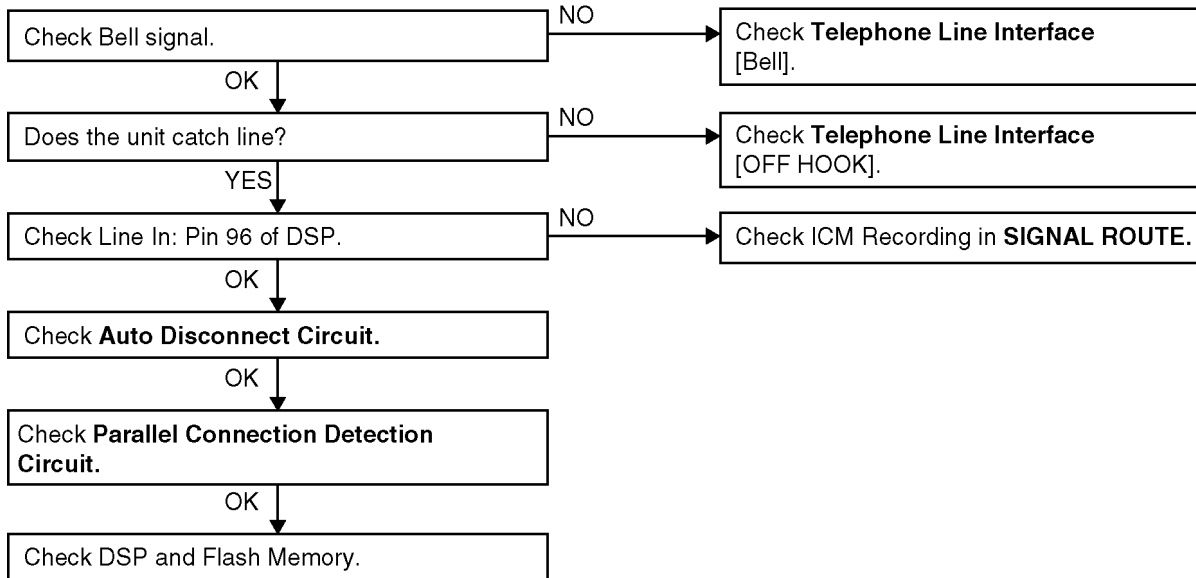
## 7.3. Check Record

### BASE UNIT

#### A) Not record Greeting Message



#### B) Not record Incoming Message



#### C) How to change the Auto Disconnect activation (time)

Some Telephone Company lines (fiber or cable) ON Hook and OFF Hook voltages are lower than conventional lines, which may cause a malfunction of Auto Disconnect detection. To solve this problem, try changing the Auto Disconnect activation through the procedures below.

Auto Disconnect detect	CPC detect	PROCEDURE at Stand-by mode
Enable*1		"STOP"+"GREETING CHECK"+"LOCATOR"(*1) simultaneously
Enable*1 [default]	Disable	"STOP"+"GREETING CHECK"+"VOL. [Λ]" simultaneously
Disable*2		"STOP"+"GREETING CHECK"+"VOL. [V]" simultaneously

#### Note:

\*1 Both Auto Disconnect and CPC don't detect for the first 2 seconds.

\*2 If the "Disable" is selected, even if the parallel-connected telephone is OFF HOOK, the line isn't disconnected.

#### D) How to change the VOX level

It makes easier to detect a small voice (caller) by raising the sensitivity of VOX level. Therefore, the recording of TAM is not turned off during a detection.

VOX Level sensitivity	PROCEDURE
Normal [default]	"STOP"+"LOCATOR"(*1) + "VOL. [Λ]" simultaneously
10 dB Up	"STOP"+"LOCATOR"(*1) + "VOL. [V]" simultaneously

#### Cross Reference:

**SIGNAL ROUTE** (P.79)

**Telephone Line Interface** (P.61)

**Auto Disconnect Circuit** (P.62)

**Parallel Connection Detect Circuit** (P.63)

#### Note:

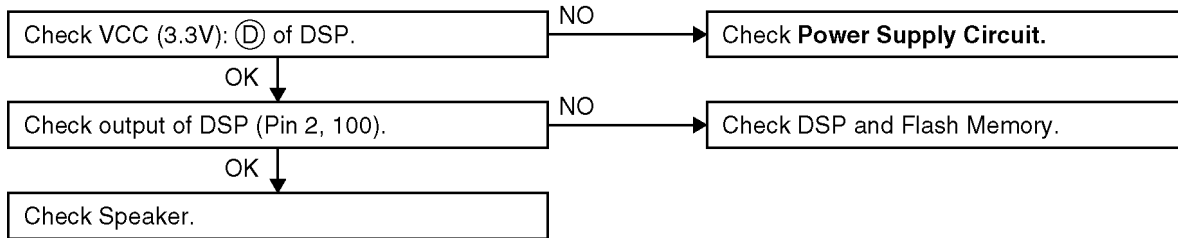
Flash Memory is IC601.

DSP is IC501.

(\*1) Press "CALL" for KX-TG5632/KX-TG5633.

## 7.4. Check Playback

### BASE UNIT



**Cross Reference:**

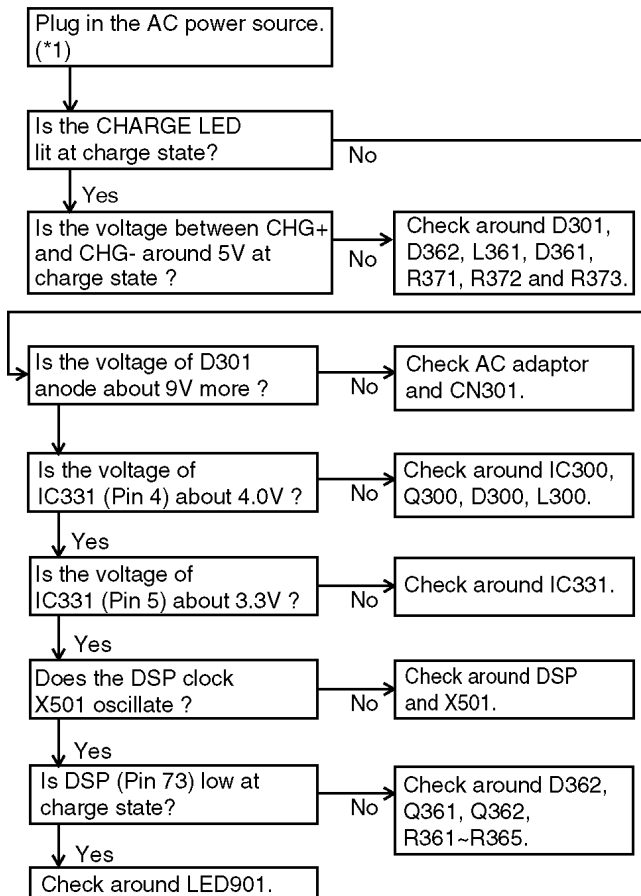
Power Supply Circuit (P.58)

**Note:**

Flash Memory is IC601.  
DSP is IC501.

## 7.5. Check Battery Charge

### BASE UNIT

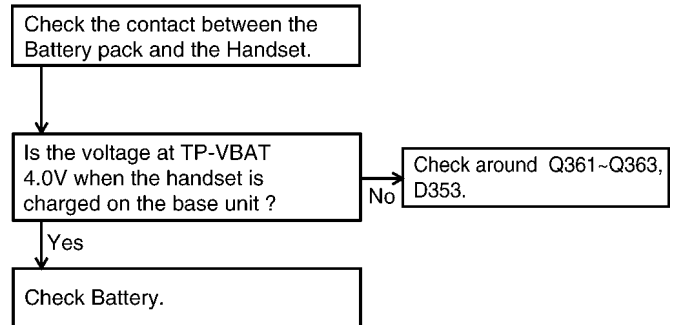


**Note:**

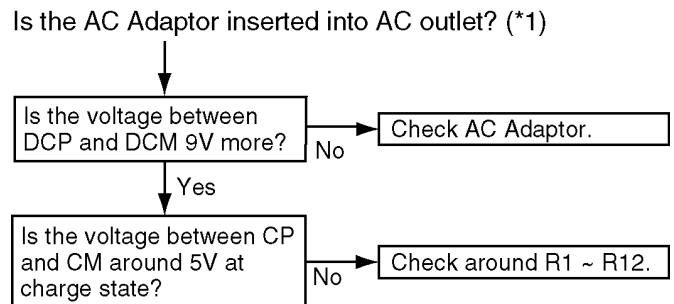
Flash Memory is IC601.  
DSP is IC501.

(\*1) Refer to "SPECIFICATION" on cover page for part number and supply voltage of AC adaptor.

### HANDSET

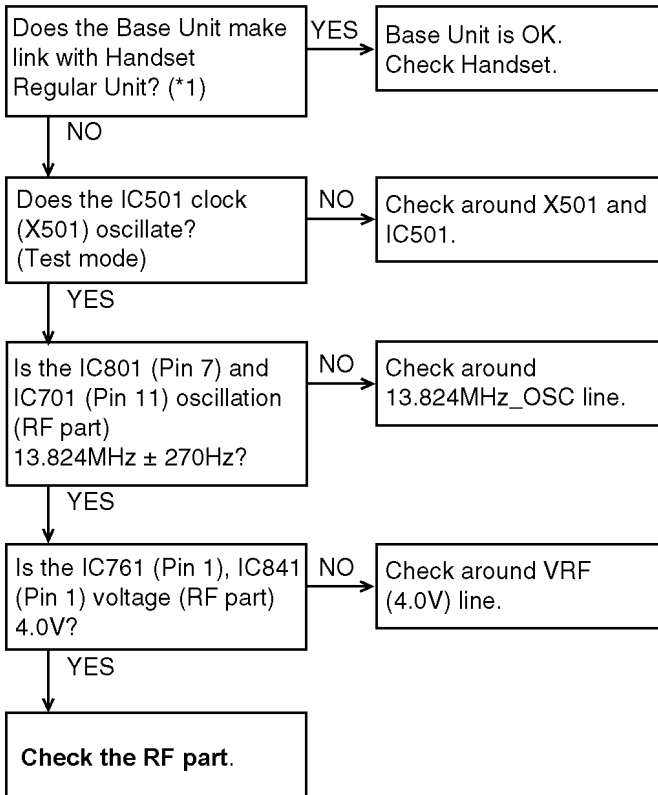


### CHARGER UNIT



## 7.6. Check Link

### BASE UNIT



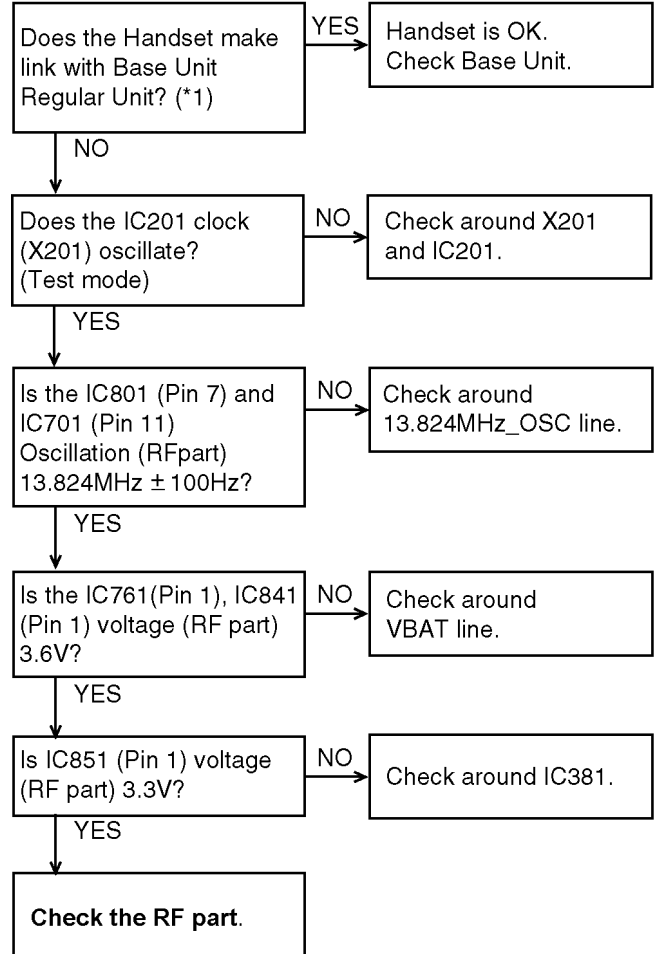
**Note:**

Flash Memory is IC601.

DSP is IC501.

(\*1) Refer to **Finding out the Defective part** (P.30).

### HANDSET



**Cross Reference:**

**Check the RF part** (P.30)

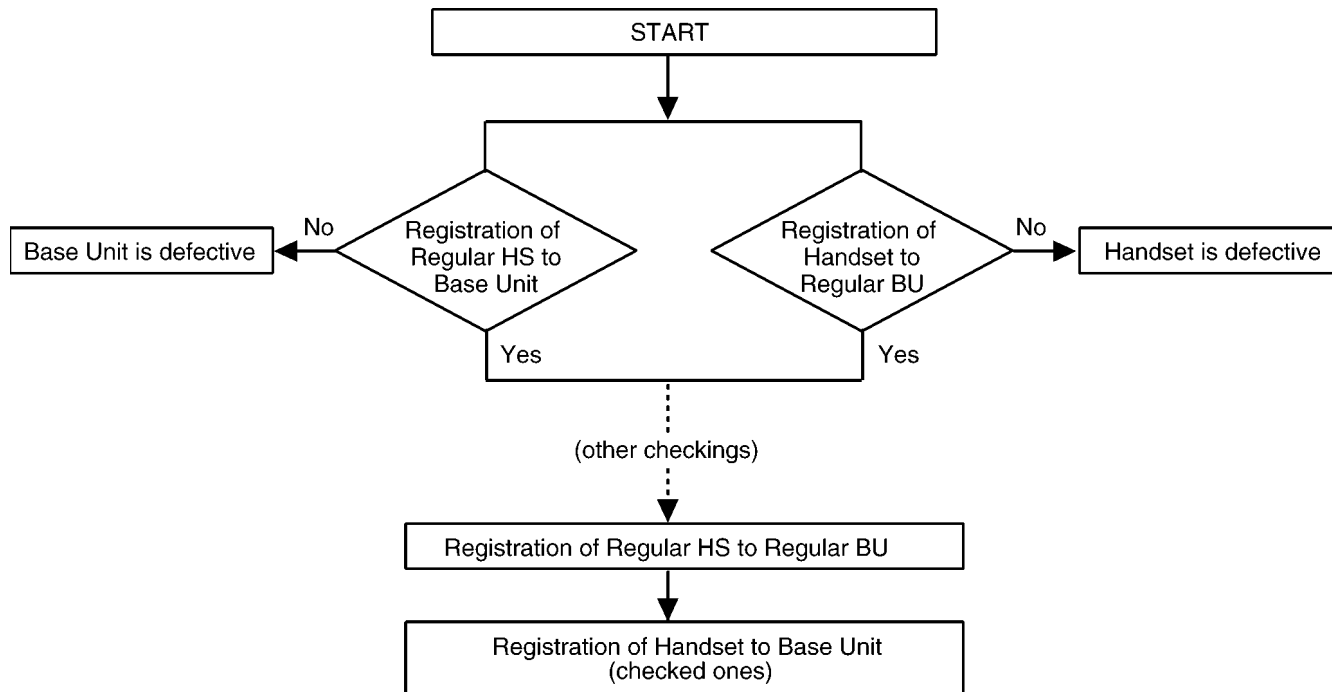
## 7.7. Check the RF part

### 7.7.1. Finding out the Defective part

1. Prepare Regular HS(\*1) and Regular BU(\*2).
2. a. Re-register regular HS (Normal mode) to Base Unit (to be checked).  
If this operation fails in some ways, the Base Unit is defective.
- b. Re-register Handset (to be checked) to regular BU (Normal mode).  
If this operation fails in some ways, the Handset is defective.

#### After All the Checkings or Repairing

1. Re-register the checked Handset to the checked Base Unit, and Regular HS to Regular BU.



**Note:**

- (\*1) HS: Handset
- (\*2) BU: Base Unit

### 7.7.1.1. Registering a Handset

The included handset and base unit are preregistered. If for some reason the handset is not registered to the base unit, register the handset.

#### For models with only 1 handset included

##### 1 Handset:

**[MENU]** → **[0][0]**

##### 2 Base unit:

Press and hold **[LOCATOR/INTERCOM]** until the CHARGE indicator flashes.

- After the CHARGE indicator starts flashing, the rest of the procedure must be completed within 1 minute.

##### 3 Handset:

Press **[OK]**, then wait until the handset beeps.

#### For models with 2 or more handsets included

##### Important:

- If you accidentally assign another handset's extension number to the base unit, the originally assigned handset stops functioning. Confirm the extension number of the handset by placing it on the base unit or charger. Lift the handset from the charger before registering.

##### 1 Handset:

**[MENU]** → **[0][0]**

##### 2 Base unit:

Press **[SELECT]** until the desired extension number (*H 1*, *H 2*, *H 3*, or *H 4*) is displayed on the base unit, then press and hold **[CALL]** until the CHARGE indicator flashes.

- *H 4* can be used if you have 4 handsets.
- After the CHARGE indicator starts flashing, the rest of the procedure must be completed within 1 minute.

##### 3 Handset:

Press **[OK]**, then wait until the handset beeps.

##### **KX-TG5632/KX-TG5633 only**

If you have not canceled the handset's registration at the previous base unit, the handset number remains in that base unit's memory. To erase the handset number from the previous base unit, follow the next procedure.

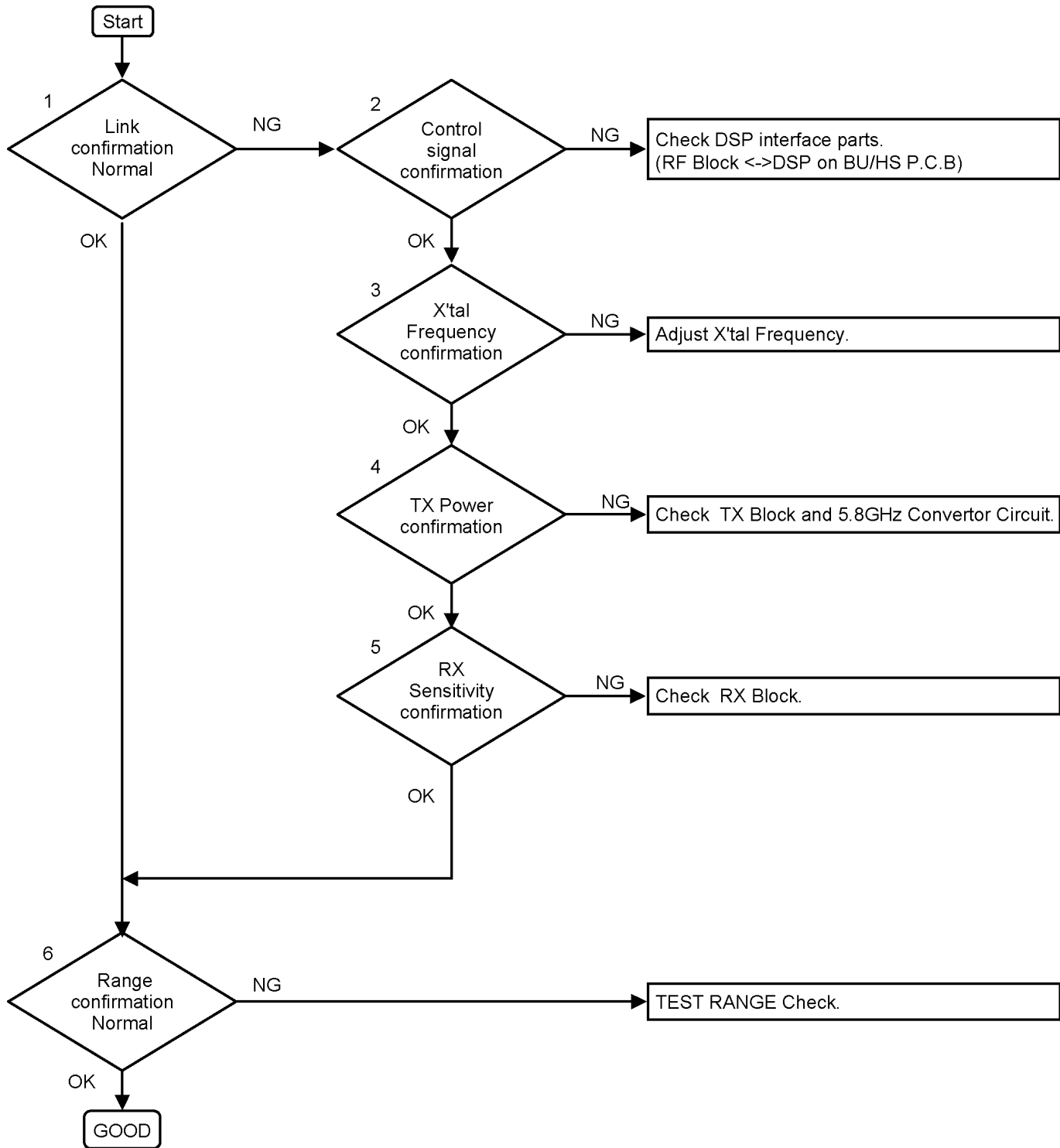
##### **[Example: Erasing H3]**

- (1) Register the handset already registered in H1 again in H3.
- (2) Re-register the handset back to H1 leaving H3 empty.

### 7.7.2. RF Check Flowchart

Each item (1 ~ 6) of RF Check Flowchart corresponds to **Check Table for RF part** (P.33).

Please refer to the each item.



### 7.7.3. Check Table for RF part

No.	Item	BU (Base Unit) Check	HS (HandSet) Check
1	Link Confirmation Normal HS, BU Mode [Normal Mode]	1. Register Regular HS to BU (to be checked). 2. Press [Talk] key of the Regular HS to establish link.	1. Register HS (to be checked) to Regular BU. 2. Press [Talk] key of the HS to establish link.
2	Control signal confirmation HS, BU Mode: [Test Burst Mode] (*1)	Check DSP interface. (*2)	Check DSP interface. (*2)
3	X'tal Frequency confirmation (*7) HS, BU Mode: [Adjustment] (*3)	Check X'tal Frequency. (13.824000MHz $\pm$ 270Hz)	Check X'tal Frequency. (13.824000MHz $\pm$ 100Hz)
4	TX Power confirmation Regular HS, BU Mode: [RX-CW Mode.] (*4) HS, BU (to be checked) Mode: [Test Burst Mode.] (*1)	1. Place the Regular HS about 15cm away from the BU. 2. Confirm that RSSI of the Regular HS is approximately 2V by Oscilloscope. (*5)	1. Place the HS about 15cm away from the Regular BU. 2. Confirm that RSSI of the Regular BU is approximately 2V by Oscilloscope. (*6)
5	RX Sensitivity confirmation Regular HS, BU Mode: [Test Burst Mode.] (*1) HS, BU (to be checked) Mode: [RX-CW Mode.] (*4)	1. Place the Regular HS about 15cm away from the BU. 2. Confirm that RSSI of the BU is approximately 2V by Oscilloscope. (*5)	1. Place the HS about 15cm away from the Regular BU. 2. Confirm that RSSI of the HS is approximately 2V by Oscilloscope. (*6)
6	Range Confirmation Normal HS, BU Mode: [Normal Mode]	1. Register Regular HS to BU (to be checked). 2. Press [Talk] key of the Regular HS to establish link. 3. Compare the range of the BU (being checked) with that of the Regular BU.	1. Register HS (to be checked) to Regular BU. 2. Press [Talk] key of the HS to establish link. 3. Compare the range of the HS (being checked) with that of the Regular HS.

**Note:**

- (\*1)(\*3)(\*4) **ADJUSTMENT AND TEST MODE** (P.38)
- (\*2) **RF-DSP Interface Signal Wave Form** (P.35)
- (\*5) **Base Unit Reference Drawing** (P.47)
- (\*6) **Handset Reference Drawing** (P.48)
- (\*7) **X501 (Base Unit), X201 (Handset) Check** (P.46)

### 7.7.4. TEST RANGE Check

Circuit block which range is defective can be found by the following check.

Item	BU (Base Unit) Check	HS (HandSet) Check
Range Confirmation TX TEST (TX Power check)  HS, BU Mode: [Test Link Mode] (*1)	1. Register Regular HS to BU (to be checked). 2. Set BU to "Test Link mode". 3. Set Regular HS to "Test Link mode".  *Set TX Power and RX Sensitivity of the BU and the Regular HS by CHART1.  * At distance of about 20m between HS and BU, Link OK = TX Power of the BU is OK. No Link = TX Power of the BU is NG.	1. Register HS (to be checked) to Regular BU. 2. Set Regular BU to "Test Link mode". 3. Set HS to "Test Link mode".  *Set TX Power and RX Sensitivity of the HS and the Regular BU by CHART1.  * At distance of about 20m between HS and BU, Link OK = TX Power of the HS is OK. No Link = TX Power of the HS is NG.
Range Confirmation RX TEST (RX sensitivity check)  HS, BU Mode: [Test Link Mode] (*1)	1. Register Regular HS to BU (to be checked). 2. Set BU to "Test Link mode". 3. Set Regular HS to "Test Link mode".  *Set TX Power and RX Sensitivity of the BU and Regular HS by CHART1.  * At distance of about 20m between HS and BU, Link OK= RX Sensitivity of the BU is OK. No Link = RX Sensitivity of the BU is NG.	1. Register HS (to be checked) to Regular BU. 2. Set Regular BU to "Test Link mode". 3. Set HS to "Test Link mode".  * Set TX Power and RX Sensitivity of Checking_HS and Regular_BU by CHART1.  * At distance of about 20m between HS and BU, Link OK= RX Sensitivity of the HS is OK. No Link = RX Sensitivity of the HS is NG.

**CHART1: Setting of TX Power and RX Sensitivity in Range Confirmation TX TEST, RX TEST**

	BU (to be checked)		Regular_HS	
	TX Power	RX Sens.	TX Power	RX Sens.
BU (Base Unit) TX Power Check	High	High	High	<b>Low</b>
BU (Base Unit) RX Sensitivity Check	High	High	<b>Low</b>	High

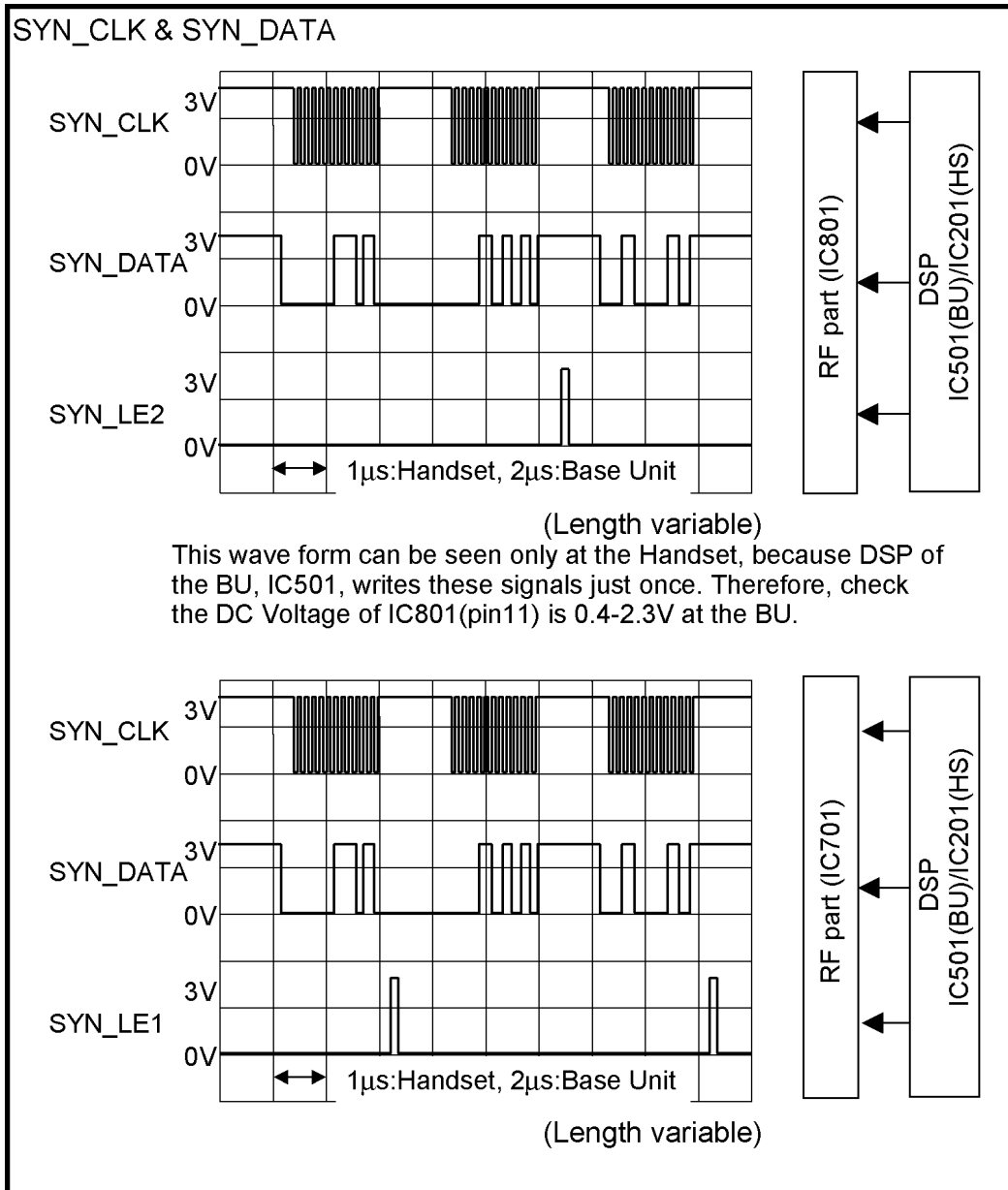
	HS (to be checked)		Regular_BU	
	TX Power	RX Sens.	TX Power	RX Sens.
HS (Handset) TX Power Check	High	High	High	<b>Low</b>
HS (Handset) RX Sensitivity Check	High	High	<b>Low</b>	High

**Note:**

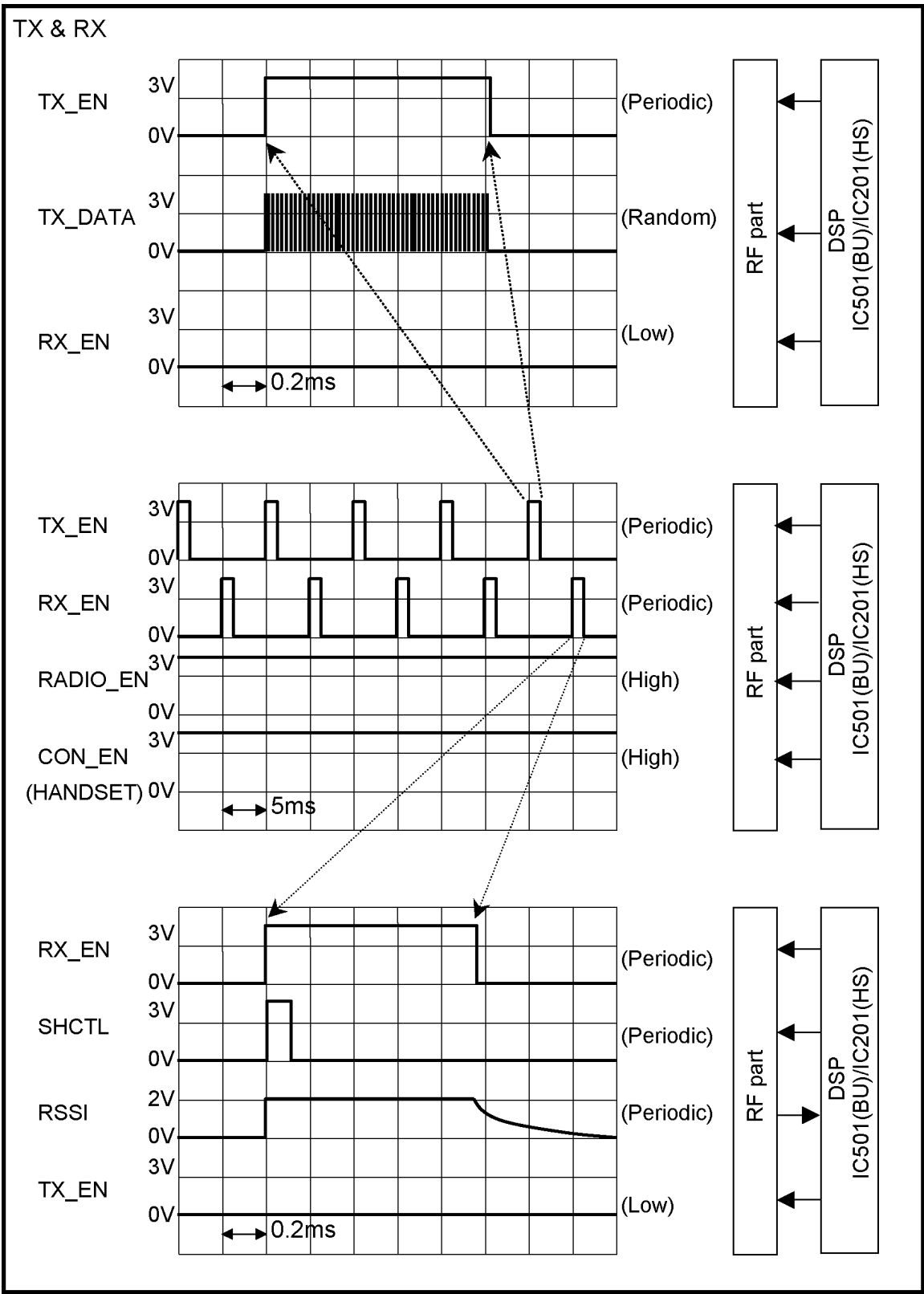
(\*1) **ADJUSTMENT AND TEST MODE (P.38)**

### 7.7.5. RF-DSP Interface Signal Wave Form

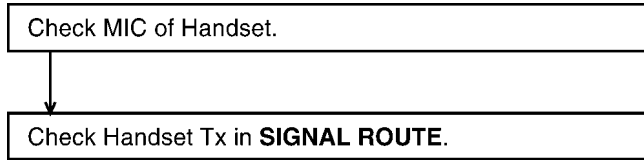
<Test Burst Mode>



<Test Burst Mode>



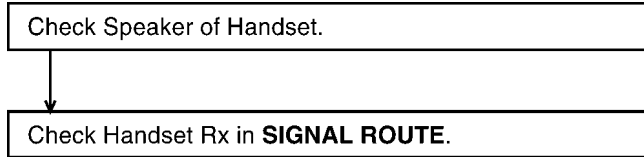
## 7.8. Check Handset Transmission



### Cross Reference:

**SIGNAL ROUTE** (P.79).

## 7.9. Check Handset Reception



### Cross Reference:

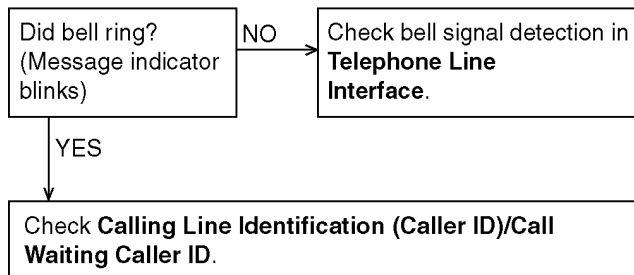
**SIGNAL ROUTE** (P.79).

### Note:

When checking the RF part, Refer to **Check the RF part** (P.30)

## 7.10. Check Caller ID

### BASE UNIT



### Cross Reference:

**Telephone Line Interface** (P.61).

**Calling Line Identification (Caller ID)/Call Waiting Caller ID** (P.64).

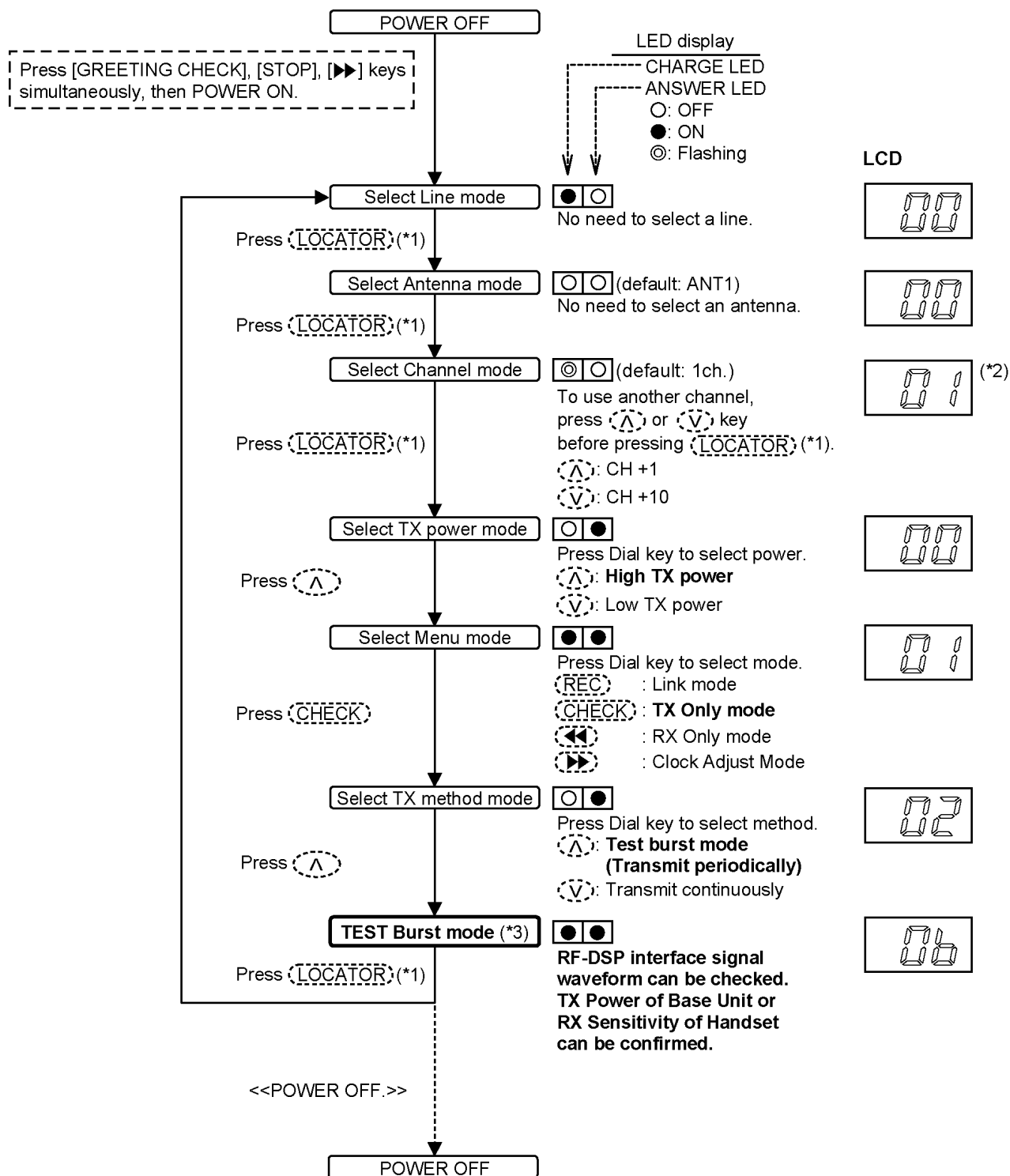
### Note:

- Make sure the format of the Caller ID or Call Waiting Caller ID service of the Telephone company that the customer subscribed to.
- Also we recommend to confirm that the customer is really a subscriber of the service.

# 8 ADJUSTMENT AND TEST MODE

## 8.1. Test Mode Flow Chart for Base Unit

### 8.1.1. Test Burst Mode



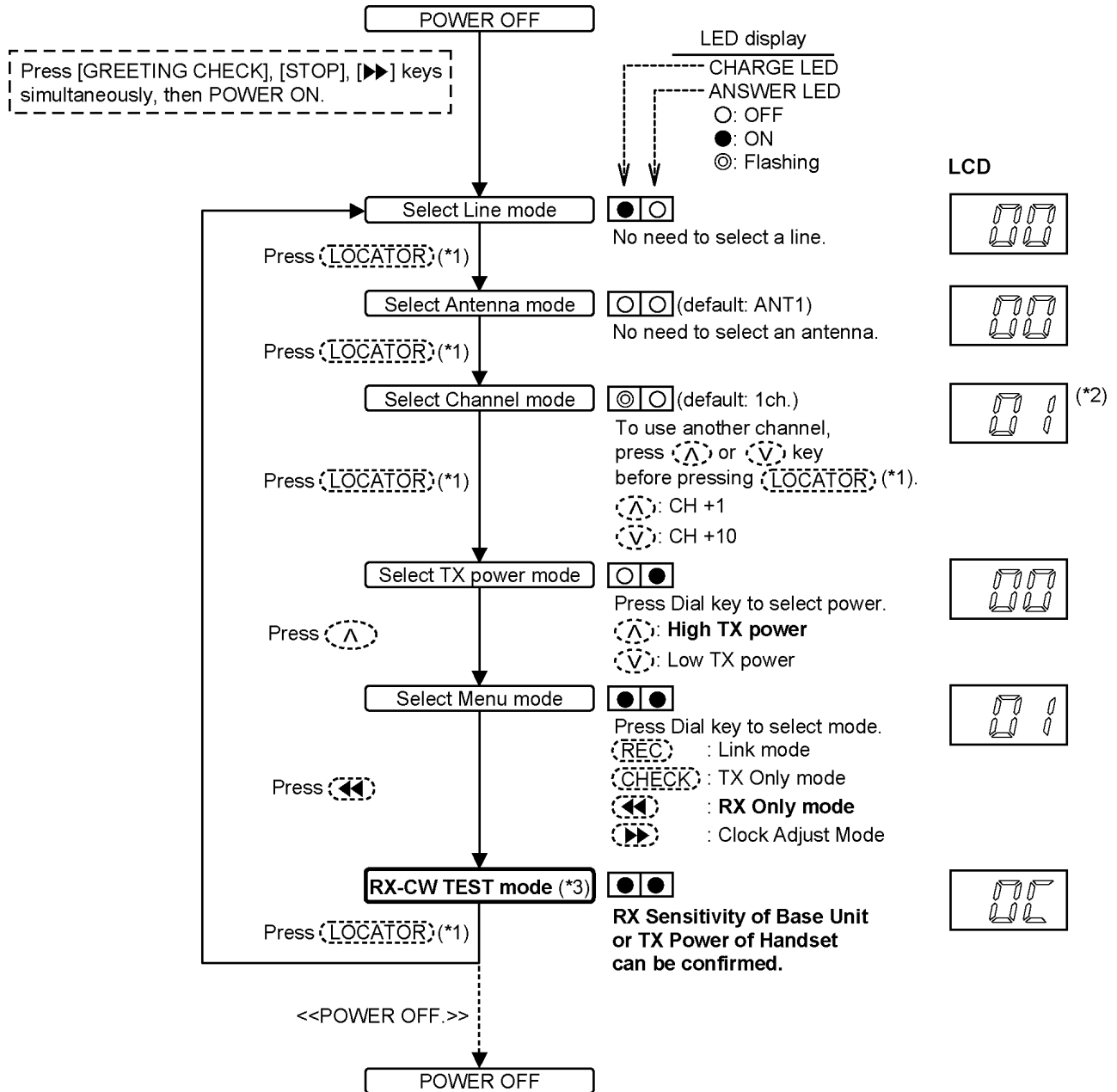
**Note:**

(\*1) Press "CALL" for KX-TG5632/KX-TG5633.

(\*2) LCD displays the Channel number.

(\*3) Refer to **Check Table for RF part** (P.33) and **RX-CW Test Mode** (P.43) for proper Handset settings.

### 8.1.2. RX-CW Test Mode



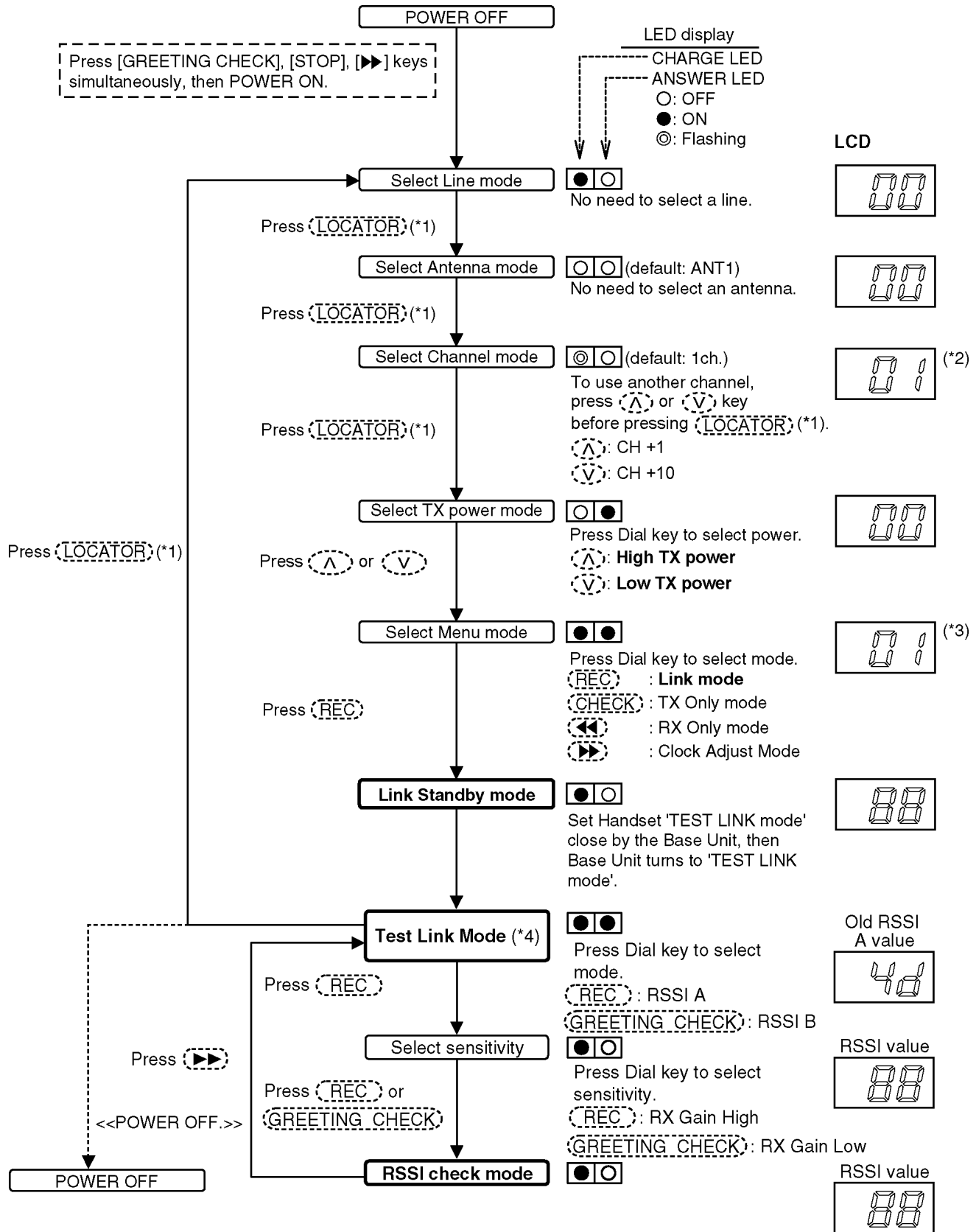
**Note:**

(\*1) Press "CALL" for KX-TG5632/KX-TG5633.

(\*2) LCD displays the Channel number.

(\*3) Refer to **Check Table for RF part** (P.33) and **Test Burst Mode** (P.42) for proper Handset settings.

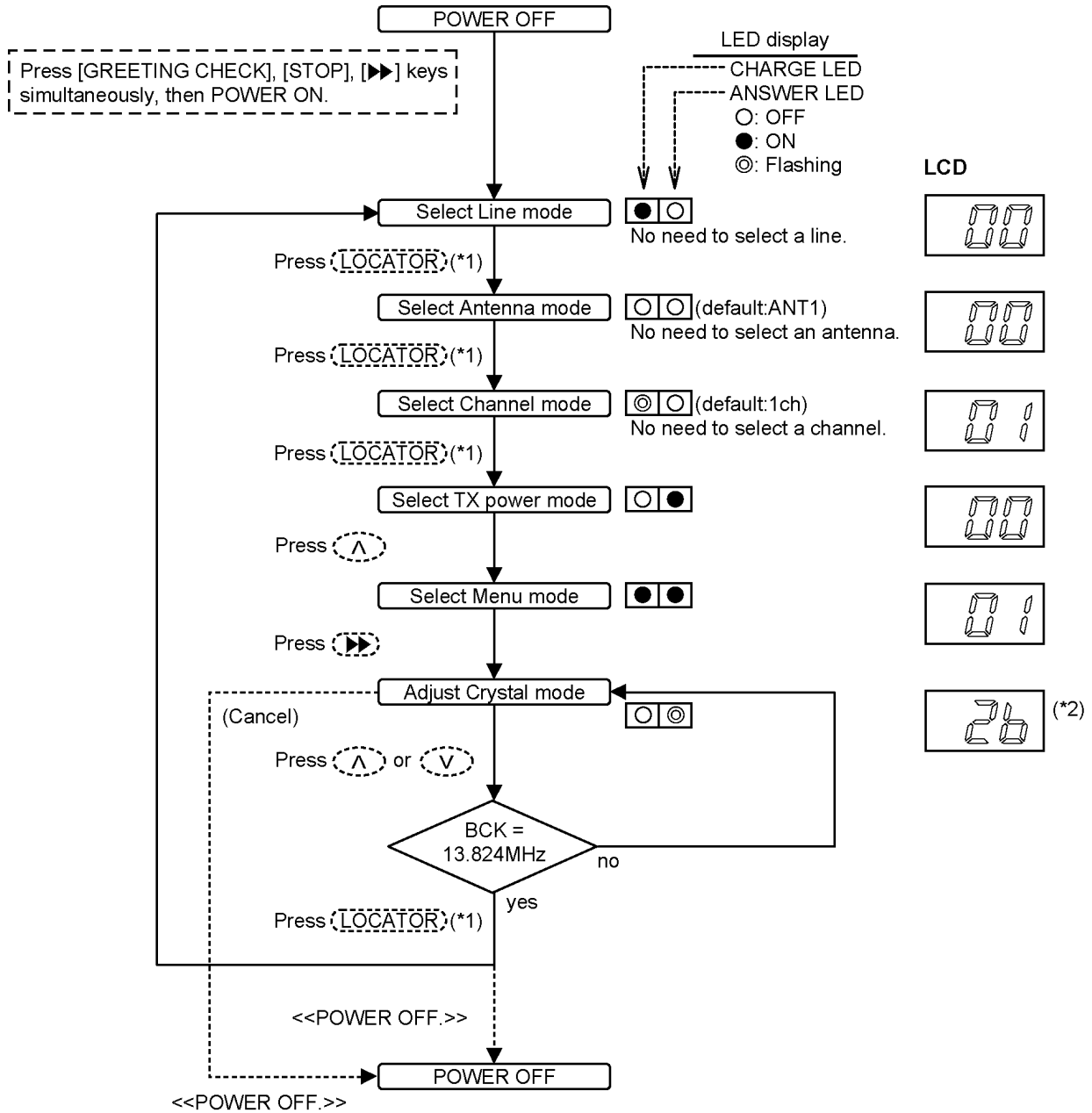
### 8.1.3. Test Link Mode



**Note:**

- (\*1) Press "CALL" for KX-TG5632/KX-TG5633.
- (\*2) LCD displays the Channel number.
- (\*3) LCD displays the number of selected power.
- (\*4) Refer to **Check Table for RF part** (P.33) and **Test Link Mode** (P.44) for proper Handset settings.

### 8.1.4. Adjustment Mode



**Cross Reference**

Check and Adjust X501 (Base Unit) Frequency (P.46)

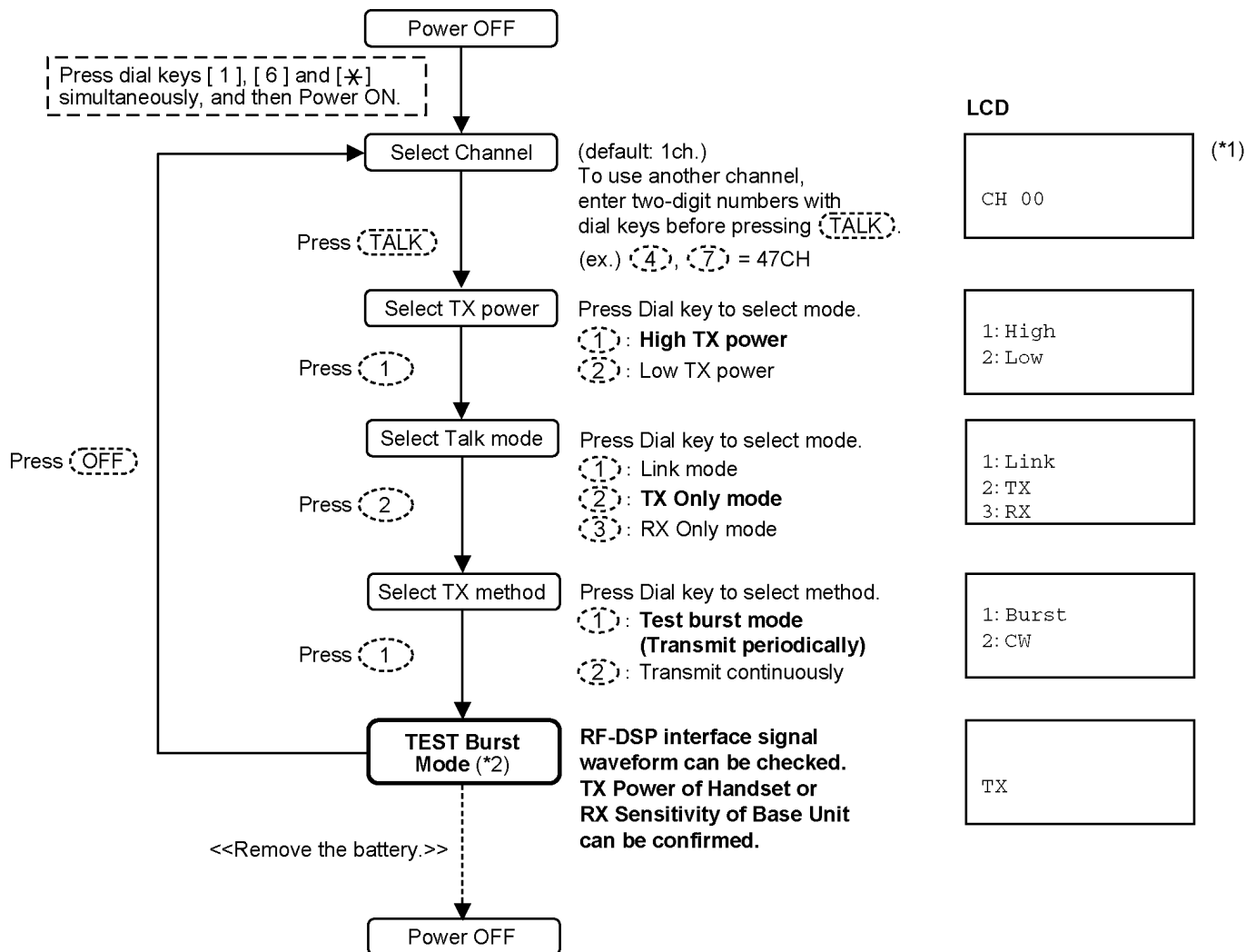
**Note:**

(\*1) Press "CALL" for KX-TG5632/KX-TG5633.

(\*2) This is an adjustment value (hex.).

## 8.2. Test Mode Flow Chart for Handset

### 8.2.1. Test Burst Mode



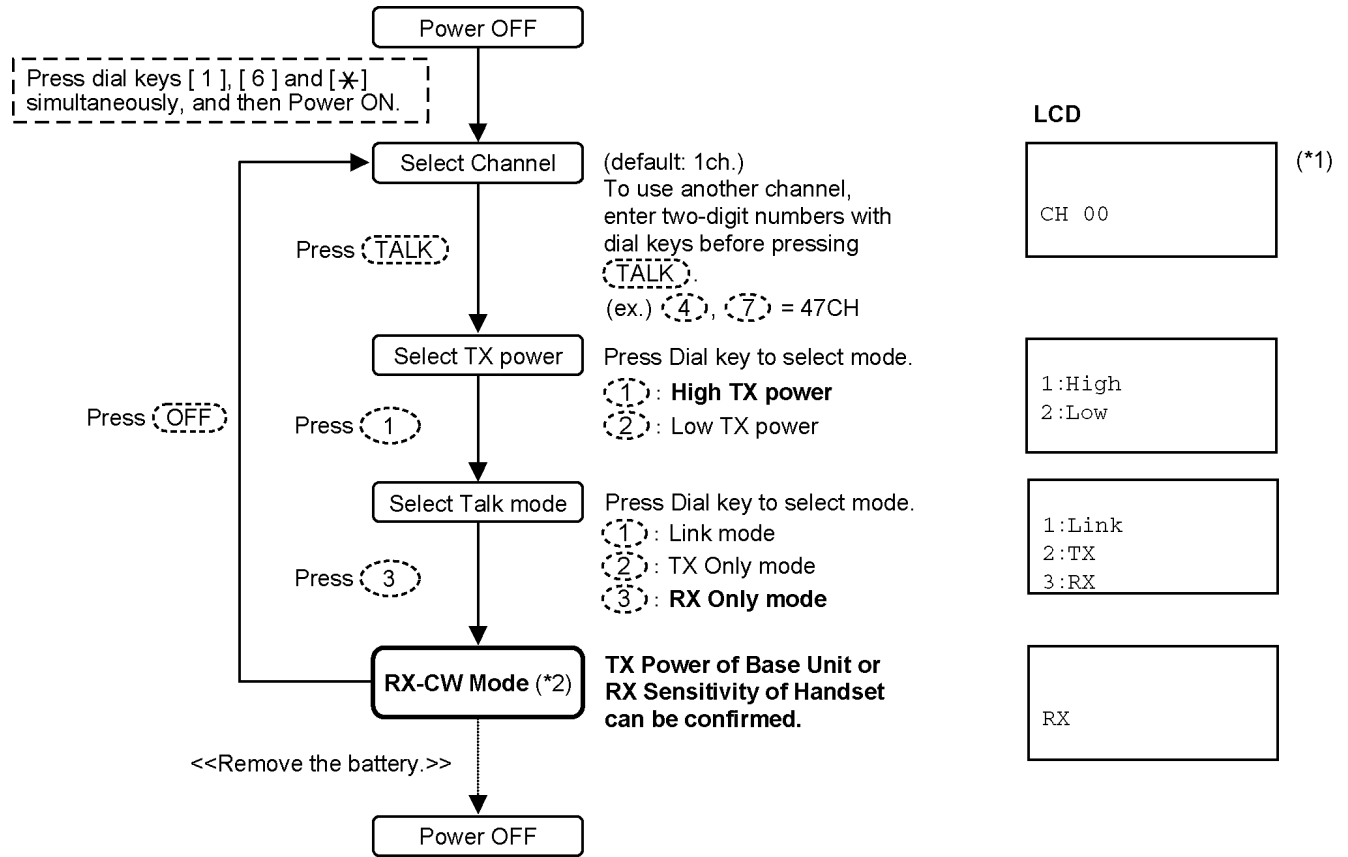
**Note:**

(\*1) LCD displays the Channel number.

(exception: default/ CH00 = 1ch.)

(\*2) Refer to **Check Table for RF part** (P.33) and **RX-CW Test Mode** (P.39) for proper Base Unit settings.

## 8.2.2. RX-CW Test Mode



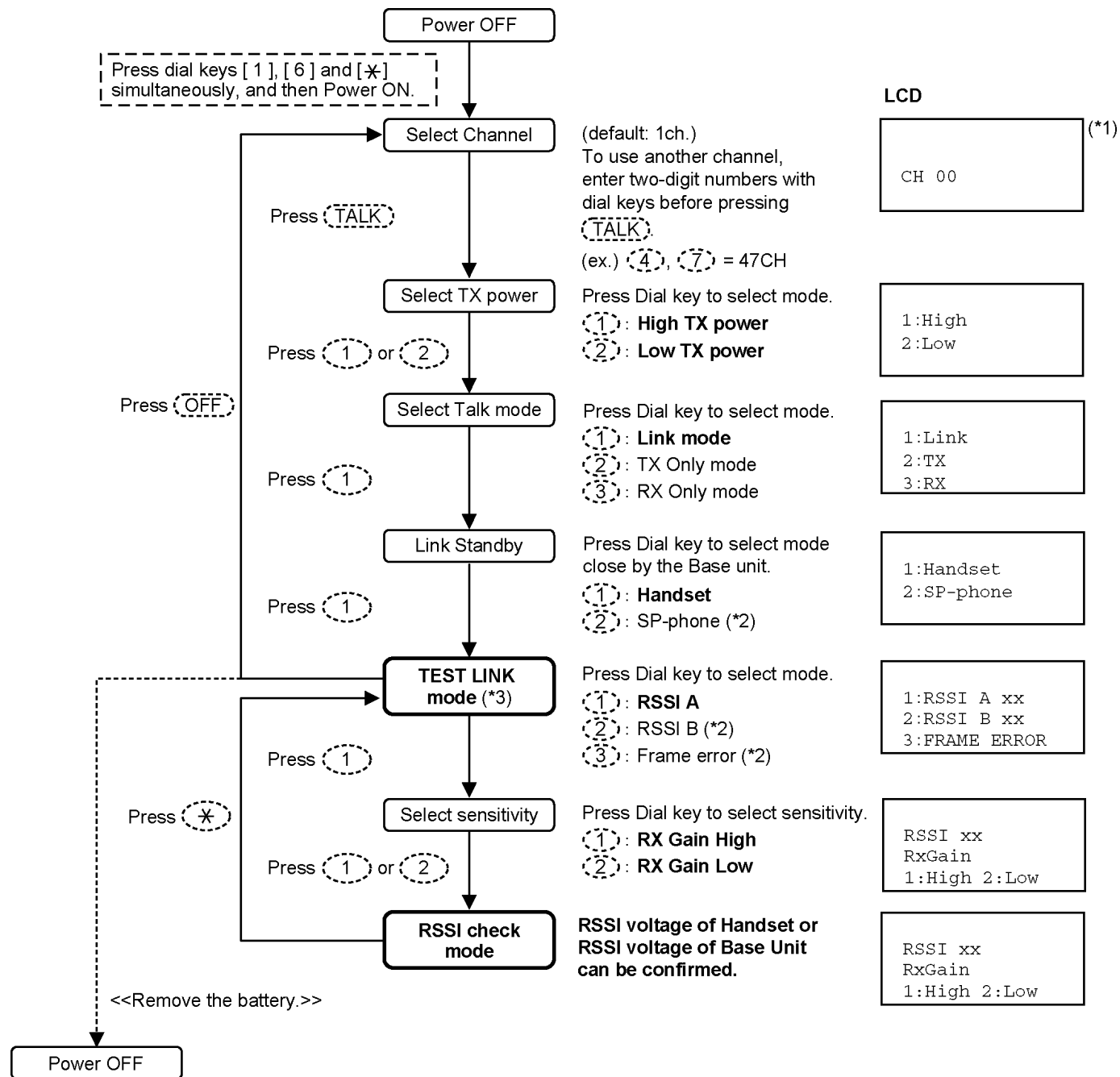
**Note:**

(\*1) LCD displays the Channel number.

(exception: default/ CH00 = 1ch.)

(\*2) Refer to **Check Table for RF part** (P.33) and **Test Burst Mode** (P.38) for proper Base Unit settings.

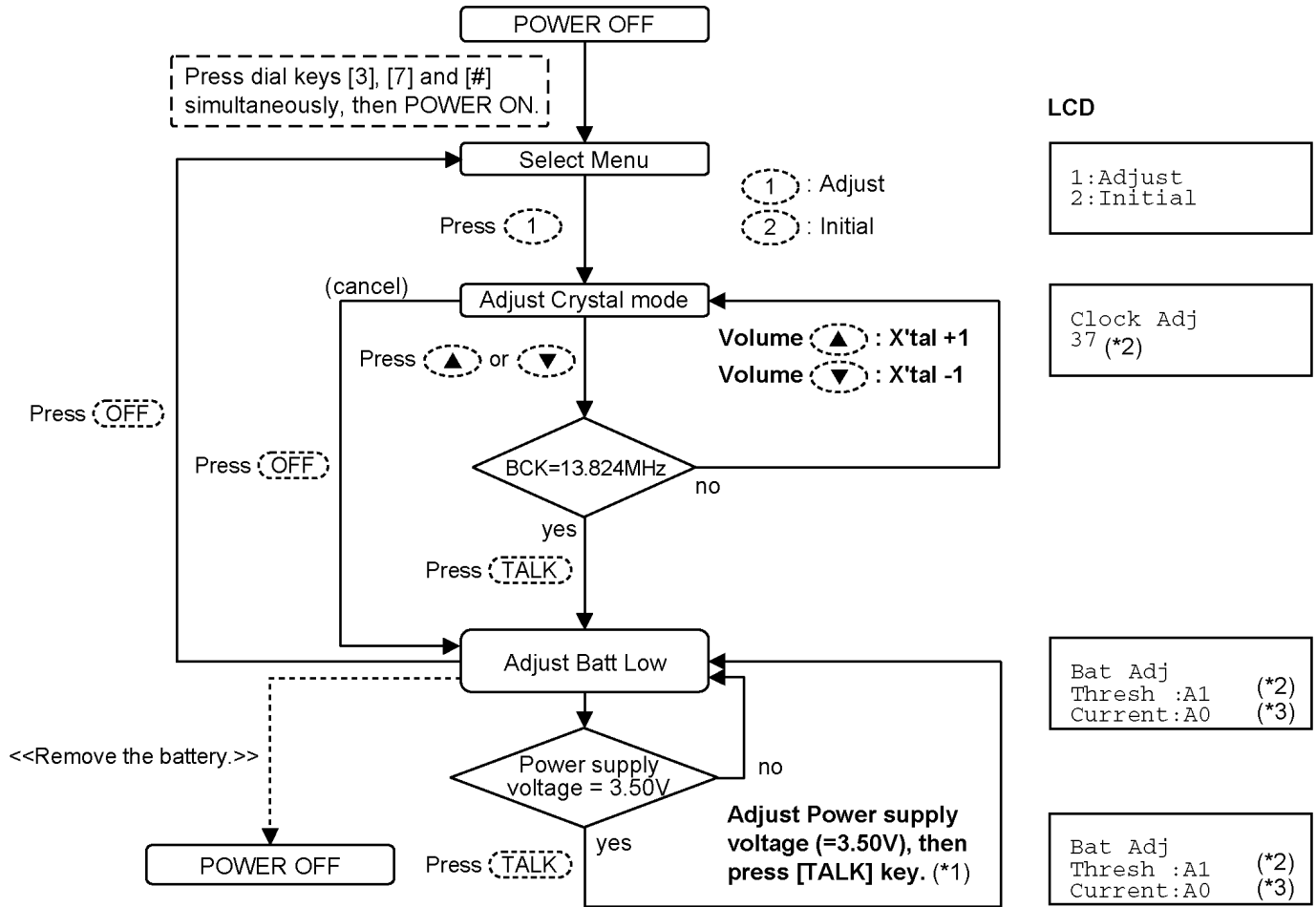
### 8.2.3. Test Link Mode



**Note:**

- (\*1) LCD displays the Channel number.  
(exception: default/ CH00 = 1ch.)
- (\*2) for factory use only.
- (\*3) Refer to **Check Table for RF part** (P.33) and **Test Link Mode** (P.40) for proper Base Unit settings.

### 8.2.4. Adjustment Mode



#### Cross Reference

(\*1) Adjust Battery Low Detector Voltage (Handset) (P.46)

#### Note:

(\*2) These are the default values.

(\*3) These values may not be fixed depending on the battery strength.

### 8.3. X501 (Base Unit), X201 (Handset) Check

Equipment: Frequency counter

Check Point for measurement: BCK

Checking tolerance: 13.824MHz  $\pm$  270Hz (Base Unit)/13.824MHz  $\pm$  100Hz (Handset)

#### 8.3.1. Check and Adjust X501 (Base Unit) Frequency

1. Set up Base Unit in TEST mode.
2. Press following keys in order to Adjust Crystal mode. [LOCATOR>(\*1), [LOCATOR>(\*1), [LOCATOR>(\*1), [ $\wedge$ ], [ $\blacktriangleright$ ]]. Check BCK frequency.
3. If the BCK frequency is out of the checking tolerance ( $\pm$  270Hz), adjust to Adjustment tolerance ( $\pm$  30Hz) by pressing [ $\wedge$ ] or [ $\nabla$ ] key.  
Adjustment Tolerance: 13.824MHz  $\pm$  30Hz
4. Press [LOCATOR>(\*1) key to write the new frequency factor in Memory.
5. Turn the power off. Then this value is available.

**When you have replaced IC501 and IC601, adjust X501 by the procedure above.**

**Note:**

(\*1) Press "CALL" for KX-TG5632/KX-TG5633.

**Cross Reference:**

**Adjustment Mode** (P.41)

#### 8.3.2. Check and Adjust X201 (Handset) Frequency

1. Set DC power supply to 3.9V.
2. Set up Handset in TEST mode (Adjustment flow).
3. Press [1] key to Adjust Crystal mode ("Clock Adj." is displayed on LCD). Check BCK frequency.
4. If the BCK frequency is out of the checking tolerance ( $\pm$  100Hz), adjust to Adjustment tolerance ( $\pm$  30Hz) by pressing [ $\blacktriangle$ ] or [ $\blacktriangledown$ ] key.  
Adjustment Tolerance: 13.824MHz  $\pm$  30Hz
5. Press [TALK] key to write the new frequency factor in EEPROM.
6. Turn the power off. Then this value is available.

**When you have replaced IC201 and IC241, adjust X201 by the procedure above.**

**Cross Reference:**

**Adjustment Mode** (P.45)

### 8.4. Adjust Battery Low Detector Voltage (Handset)

After Handset's DSP (IC201) or EEPROM (IC241) replacement, Re-writing Battery Low voltage to EEPROM is required.

With following Handset Adjustment Flow, adjust DC power supply and DC voltmeter by the procedure below.

1. Set DC power supply to 3.9V.
2. Set up Handset in TEST mode (Adjustment flow).
3. Press [1] key and [OFF] key to Adjust Batt Low mode. ("Bat Adj." is displayed on LCD)
4. Change the voltage of the DC power supply to 3.50V accurately. Check the voltage at P.C. board pads because some voltage drops occur due to the usage of long or thin cables.
5. Press [TALK] key to write voltage value in EEPROM.
6. Turn the power off. Then this value is available.

**Note:**

Refer to **Handset Reference Drawing** (P.48) for connection of DC power supply and voltmeter.

**Cross Reference:**

**Adjustment Mode** (P.45)





## 8.7. Frequency Table

### 8.7.1. Base Unit

Channel	TX/RX Frequency (MHz)	Channel	TX/RX Frequency (MHz)	Channel	TX/RX Frequency (MHz)
1	5759.702398	33	5788.242242	65	5816.782086
2	5760.592291	34	5789.132135	66	5817.671978
3	5761.486139	35	5790.025982	67	5818.565826
4	5762.376031	36	5790.915875	68	5819.455719
5	5763.269879	37	5791.809723	69	5820.349566
6	5764.159771	38	5792.699615	70	5821.239459
7	5765.053619	39	5793.593463	71	5822.133307
8	5765.943512	40	5794.483355	72	5823.023199
9	5766.837359	41	5795.377203	73	5823.917047
10	5767.727252	42	5796.267096	74	5824.806939
11	5768.621100	43	5797.160943	75	5825.700787
12	5769.510992	44	5798.050836	76	5826.590680
13	5770.404840	45	5798.944684	77	5827.484527
14	5771.294732	46	5799.834576	78	5828.374420
15	5772.188580	47	5800.728424	79	5829.268268
16	5773.078473	48	5801.618316	80	5830.158160
17	5773.972320	49	5802.512164	81	5831.052008
18	5774.862213	50	5803.402057	82	5831.941900
19	5775.756060	51	5804.295904	83	5832.835748
20	5776.645953	52	5805.185797	84	5833.725641
21	5777.539801	53	5806.079644	85	5834.619488
22	5778.429693	54	5806.969537	86	5835.509381
23	5779.323541	55	5807.863385	87	5836.403228
24	5780.213434	56	5808.753277	88	5837.293121
25	5781.107281	57	5809.647125	89	5838.186969
26	5781.997174	58	5810.537018		
27	5782.891021	59	5811.430865		
28	5783.780914	60	5812.320758		
29	5784.674762	61	5813.214605		
30	5785.564654	62	5814.104498		
31	5786.458502	63	5814.998346		
32	5787.348394	64	5815.888238		

**8.7.2. Handset**

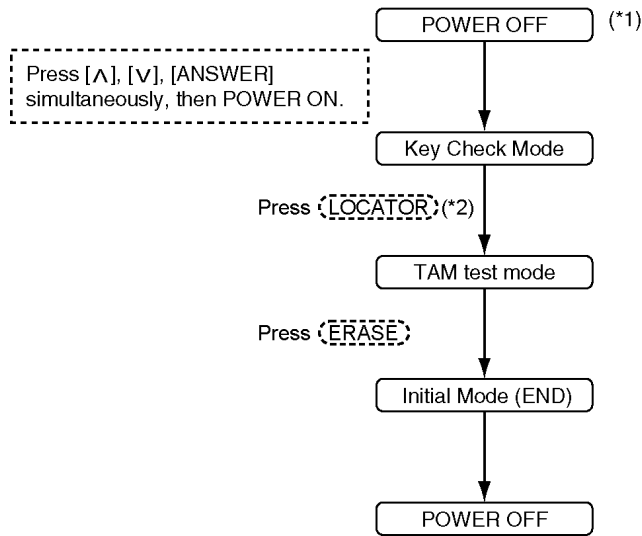
Channel	TX/RX Frequency (MHz)	Channel	TX/RX Frequency (MHz)	Channel	TX/RX Frequency (MHz)
1	5759.700425	33	5788.240269	65	5816.780113
2	5760.594273	34	5789.134117	66	5817.673960
3	5761.484165	35	5790.024009	67	5818.563853
4	5762.378013	36	5790.917857	68	5819.457701
5	5763.267906	37	5791.807749	69	5820.347593
6	5764.161753	38	5792.701597	70	5821.241441
7	5765.051646	39	5793.591490	71	5822.131333
8	5765.945494	40	5794.485337	72	5823.025181
9	5766.835386	41	5795.375230	73	5823.915074
10	5767.729234	42	5796.269078	74	5824.808921
11	5768.619126	43	5797.158970	75	5825.698814
12	5769.512974	44	5798.052818	76	5826.592662
13	5770.402867	45	5798.942710	77	5827.482554
14	5771.296714	46	5799.836558	78	5828.376402
15	5772.186607	47	5800.726451	79	5829.266294
16	5773.080455	48	5801.620298	80	5830.160142
17	5773.970347	49	5802.510191	81	5831.050035
18	5774.864195	50	5803.404039	82	5831.943882
19	5775.754087	51	5804.293931	83	5832.833775
20	5776.647935	52	5805.187779	84	5833.727623
21	5777.537828	53	5806.077671	85	5834.617515
22	5778.431675	54	5806.971519	86	5835.511363
23	5779.321568	55	5807.861412	87	5836.401255
24	5780.215415	56	5808.755259	88	5837.295103
25	5781.105308	57	5809.645152	89	5838.184996
26	5781.999156	58	5810.538999		
27	5782.889048	59	5811.428892		
28	5783.782896	60	5812.322740		
29	5784.672789	61	5813.212632		
30	5785.566636	62	5814.106480		
31	5786.456529	63	5814.996373		
32	5787.350376	64	5815.890220		

## 8.8. How to Clear User Setting

Units are reset to the Factory settings by this operation (Erase recorded Voice messages, stored Phone numbers, Caller list and etc.).

This operation should not be performed for a usual repair.

### 8.8.1. Base Unit

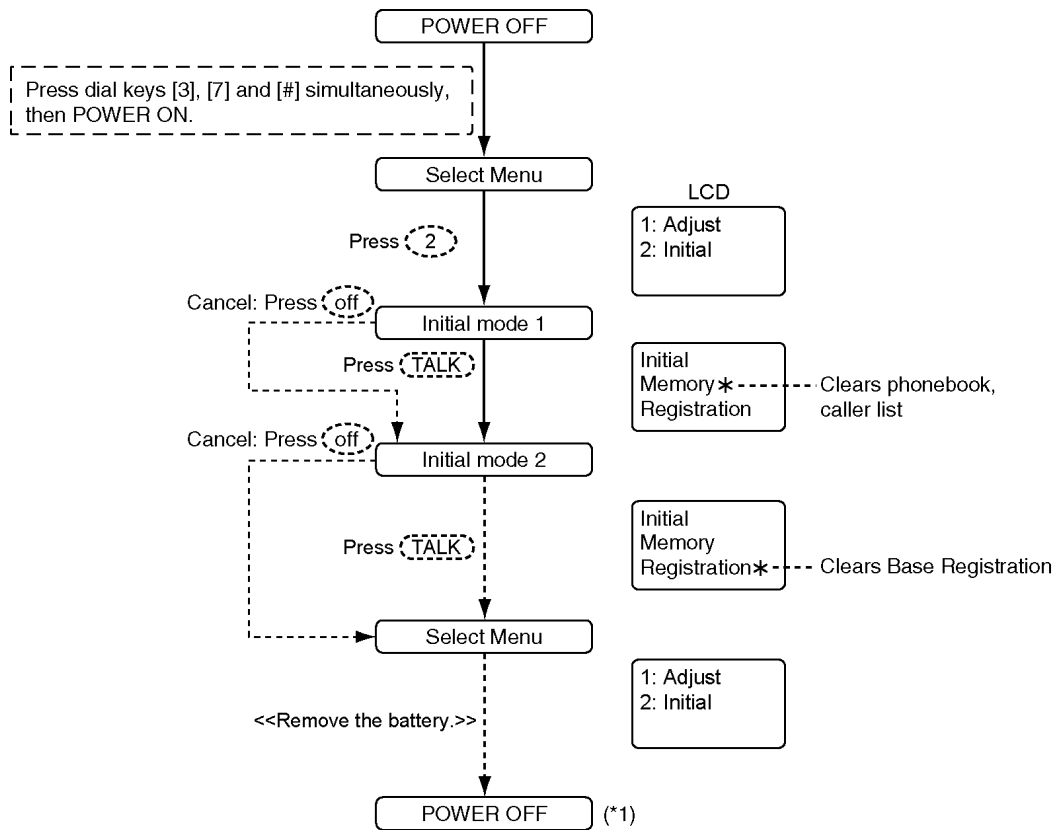


**Note:**

(\*1) Telephone line must be connected.

(\*2) Press "CALL" for KX-TG5632/KX-TG5633.

### 8.8.2. Handset



**Note:**

(\*1) Be sure to short the battery terminals of the Handset with a lead wire, etc. for 2 seconds for discharge after removing the battery.

# 9 DESCRIPTION

## 9.1. Frequency

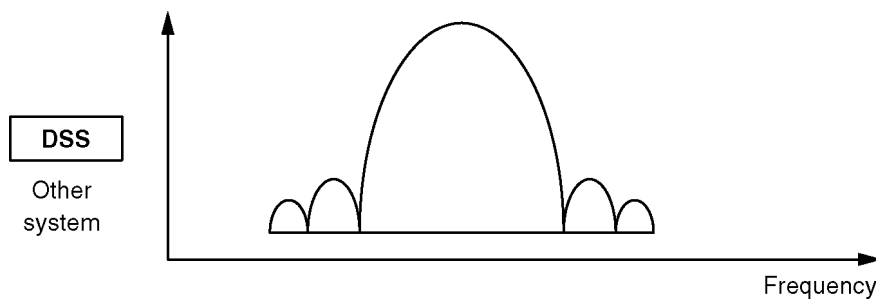
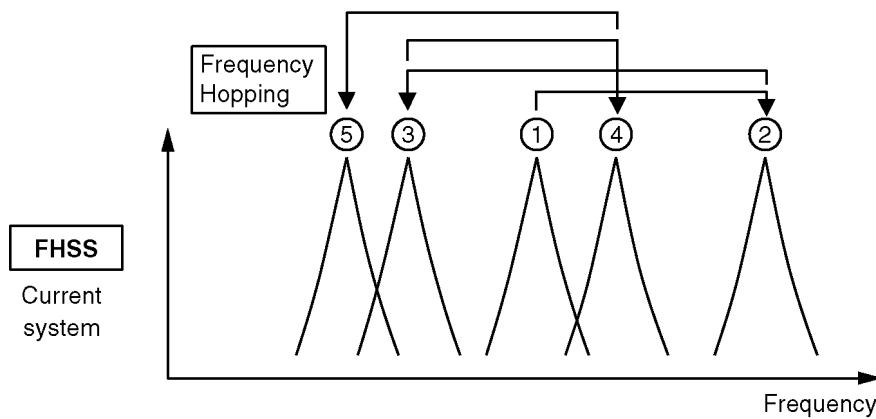
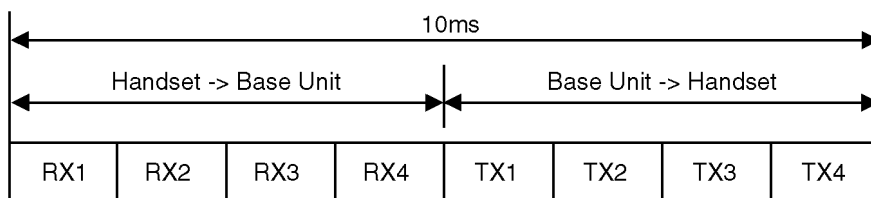
The frequency range of 5.76GHz-5.84GHz is used. Transmitting and receiving channel between Base Unit and Handset is same frequency. Refer to **Frequency Table** (P.49).

## 9.2. FHSS (Frequency Hopping Spread Spectrum)

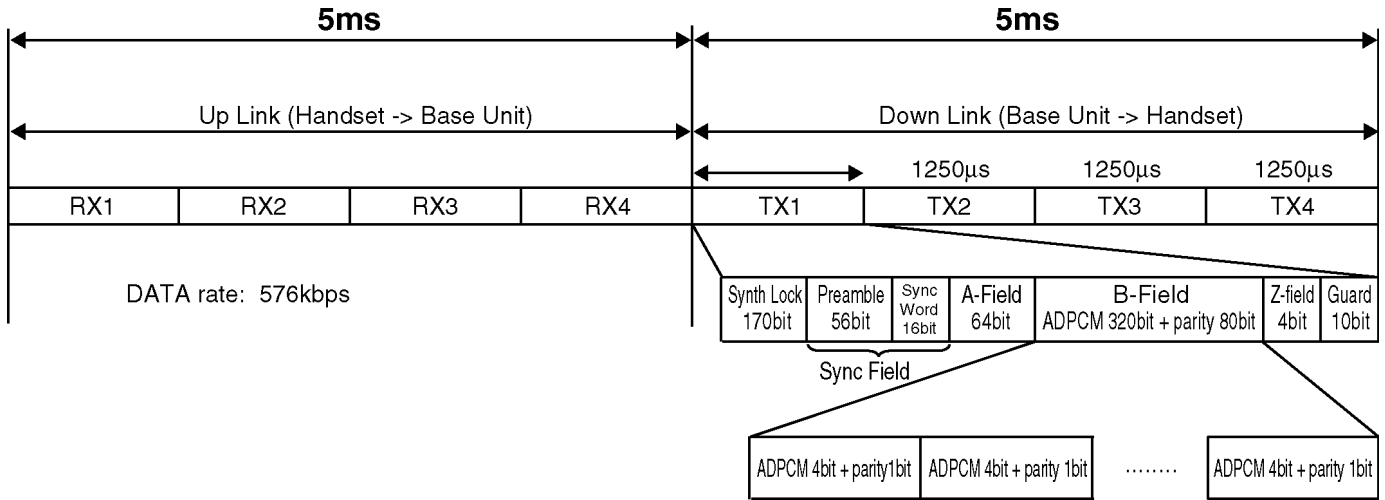
This telephone is using an IC chip which has similar specification to WDCT (World Digital Cordless Telephone) and is the telephone system that can use multiple portable unit simultaneously. The explanation of this system is mentioned below. This system uses a Time Division Multiple Access/Time Division Duplex (**TDMA/TDD**) scheme:

transmitting and receiving frequencies of the Base Unit and Handset are shared in the same frequency. The construction of RX/TX frequency data is shown below. It consists of 4 slots from the Base Unit to the Handset, and 4 slots from the Handset to the Base Unit, total 8 slots in 10ms. By this slot system, simultaneous air link and communication between 4 Handsets and the Base Unit can be realized. One communication between Handset and the Base Unit is done by one slot from the Base Unit to Handset, and another slot from Handset to the Base Unit.

DSS makes spectrum spread by multiplying carrier signal by PN code. The purpose to make spectrum spread is to reduce power density per time and per band. On the other hand, **FHSS** makes spectrum spread by changing channel every 10ms according to Hopping table. Also the purpose to make spectrum spread is to reduce power density per time and per band.



### 9.2.1. TDD Frame Format



Sync Field (72bit): Preamble 56bit + SyncWord 16bit

Base Unit (Handset) adjusts the timing of reception so that reception of Base Unit (Handset) can correspond to transmission of Handset (Base Unit).

It is necessary for sync-field that Handset gets synchronization.

A - field (64bit): Each kinds of DATA: ch data, line condition, etc.

B - field (320bit + 80bit): Sound data + parity

Z - field (4bit): Parity Check

### 9.2.2. TDMA system

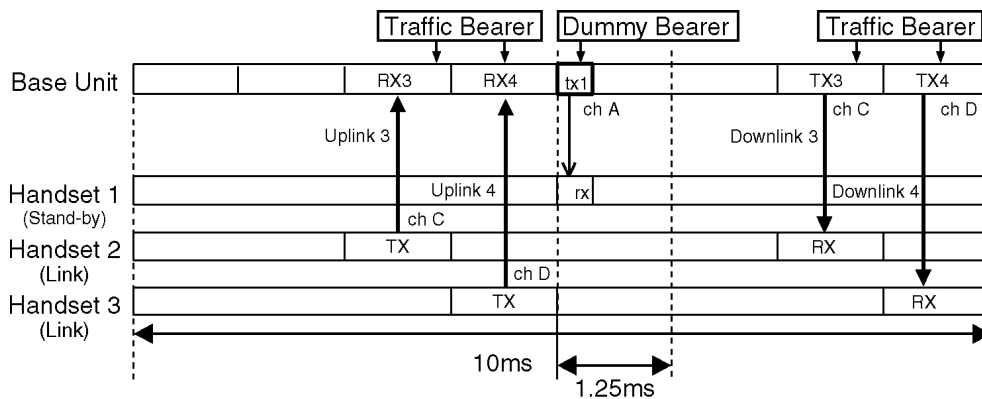
This system is the cycles of 10ms, and has four duplex paths, so it is possible to perform four duplex communications simultaneously.

In 1 slot 1.25ms, the 10ms of voice data is transmitted.

Each slot makes every frame frequency hop. (100hops/sec.)

Although each slot (UpLink3 and UpLink4) uses different frequency, UpLink3 and DownLink3 use the same frequency.

• 2 - Handsets Link



#### Traffic Bearer

A link is established between Base Unit and Handset.

The state where duplex communication is performed.

The hopping pattern of a 3000hops (30 seconds) cycle.

#### Dummy Bearer

The Base Unit sends Dummy-data to the all stand-by state Handsets.

The Handsets receive that data for keeping synchronization and monitoring request from the Base Unit.

Dummy Bearer doesn't contain B-field (sound) data.

### 9.3. Signal Flowchart in the Whole System

#### Reception

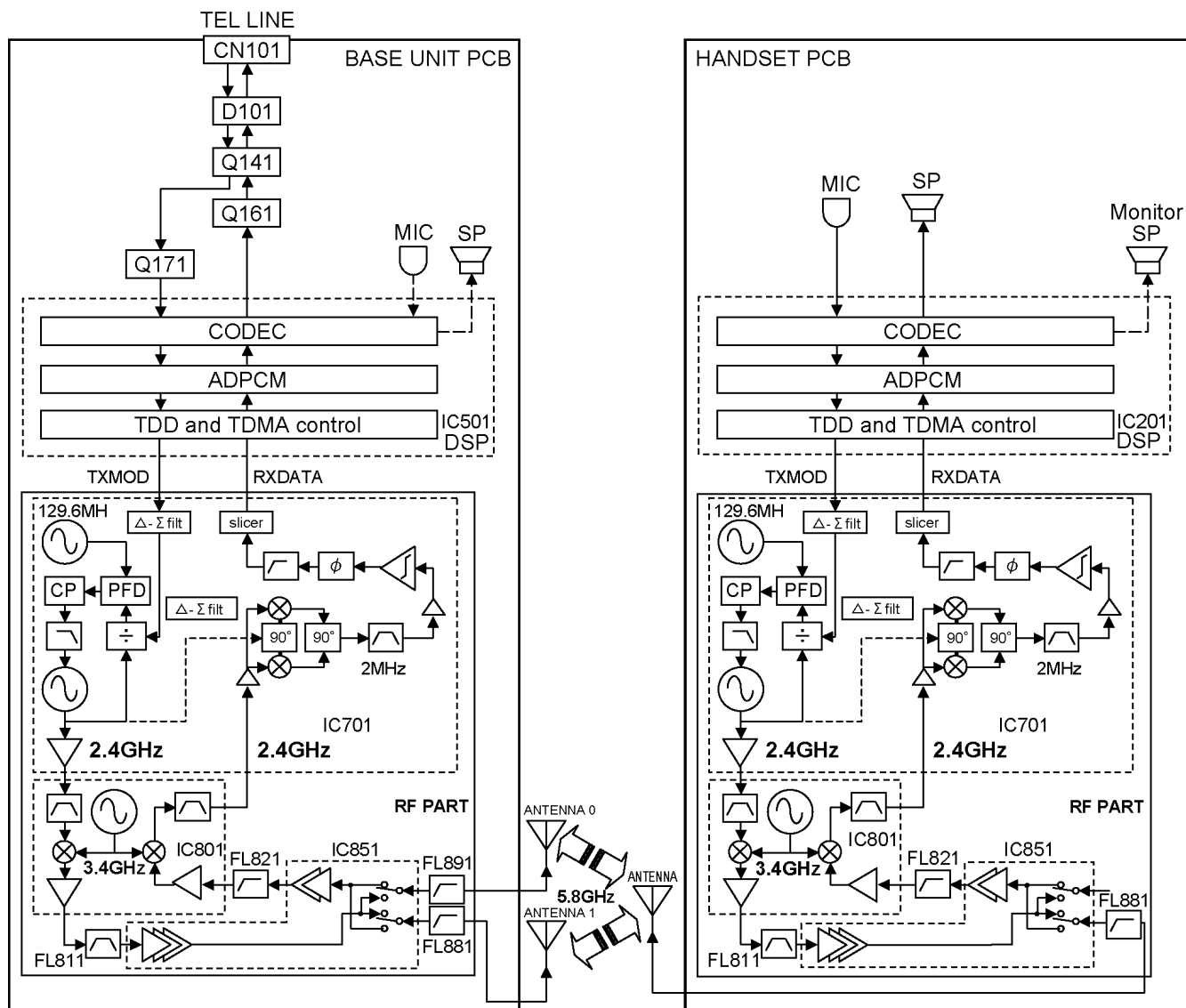
CN101 of the Base Unit is connected to the TEL line, and signal is enter through the bridge diode D101. While talking, the relay (Q141) is turned ON and amplified at the Q171, then led to DSP (IC501). The DSP encodes ADPCM and TDD/TDMA with FHSS to TXMOD. The TXMOD signal is enter to IC701 of RF PART, and modulated to 2.4GHz. The 2.4GHz signal is up-converted to 5.8GHz RF signal by IC801. The RF signal is amplified by the power amplifier (IC851) and fed to Antennas.

As for the Handset, RF signal from the antenna is amplified by LNA (IC851). The amplified signal is down-converted to 2.4GHz signal by IC801 and led to IC701. The 2.4GHz is down-converted to IF signal in IC701. The IF signal passing through internal filter is demodulated into RXDATA, then enter to DSP (IC201). The DSP performs TDD/TDMA and ADPCM decoding to convert the RXDATA into the voice signal, then it is output to the speaker.

#### Transmission

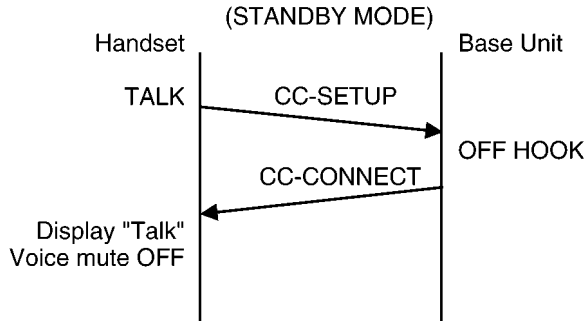
The voice signal entering from the Handset microphone is led to DSP (IC201). The DSP encodes ADPCM and TDD/TDMA with FHSS to TXMOD. The TXMOD signal is enter to IC701 of RF PART, and modulated to 2.4GHz. The 2.4GHz signal is up-converted to 5.8GHz RF signal by IC801. The RF signal is amplified by the power amplifier (IC851) and fed to Antenna.

As for the Base Unit, RF signal from the Antennas is amplified by LNA (IC851). The amplified signal is down-converted to 2.4GHz signal by IC801 and led to IC701. The 2.4GHz is down-converted to IF signal in IC701. The IF signal passing through internal filter is demodulated into RXDATA, then enter to DSP (IC501). The DSP performs TDD/TDMA and ADPCM decoding to convert the RXDATA into the voice signal. The voice signal is amplified at the TX amplifier (Q161), then output to the TEL line CN101 through the relay (Q141) and bridge (D101).



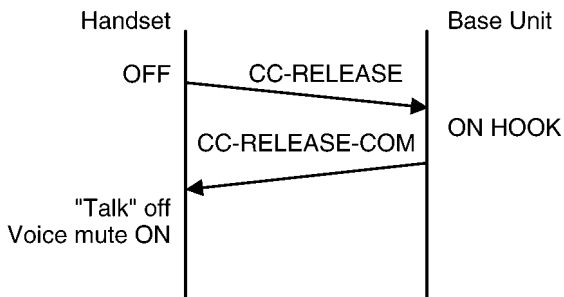
# 10 EXPLANATION OF LINK DATA COMMUNICATION

## 10.1. Calling



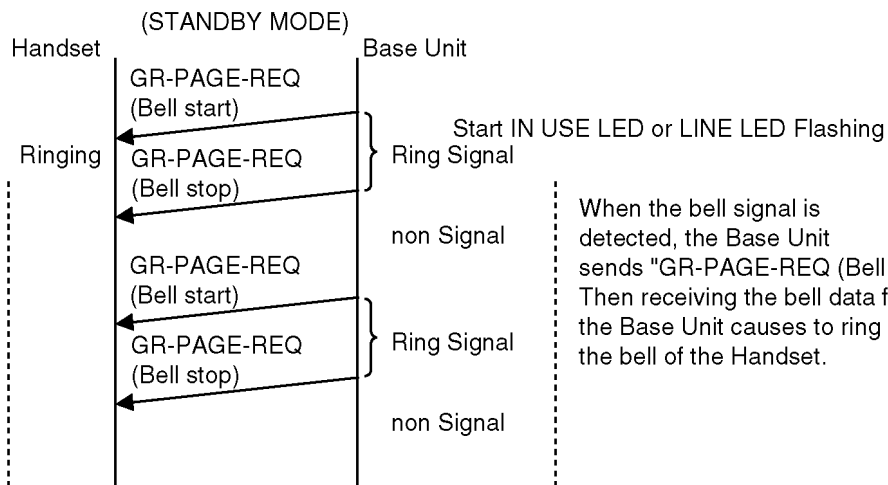
When calling, a communication request DATA (CC-SETUP) is transmitted from the Handset, and a permitting DATA (CC-CONNECT) is returned from the Base Unit to it. At that time the audio path opens.

## 10.2. To Terminate Communication



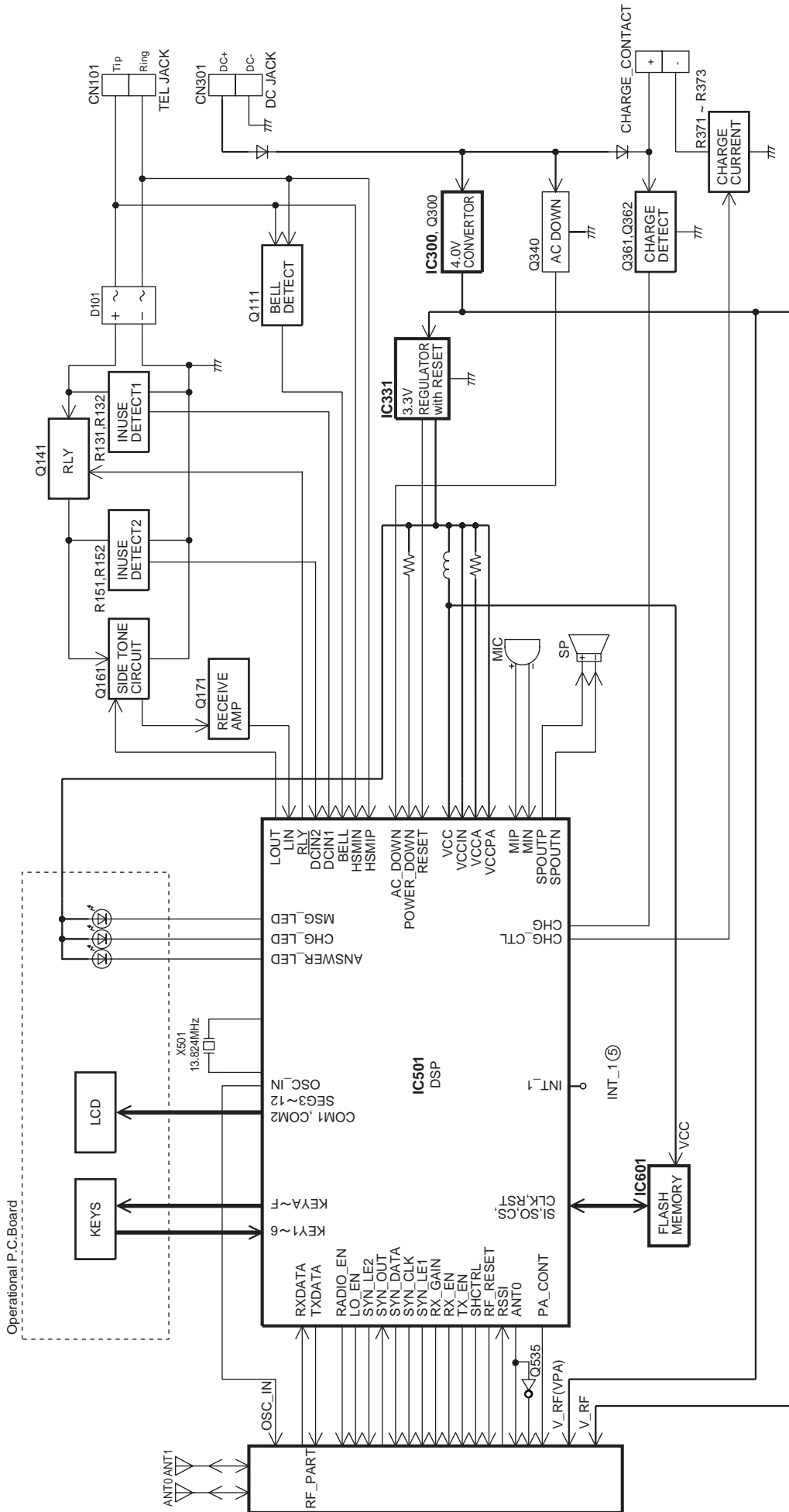
When the OFF button on the Handset is pressed during communication, a LINK terminating DATA (CC-RELEASE) is sent to terminate the communication. Then DATA (CC-RELEASE-COM) is returned from Base Unit. Handset receives it and reset the link.

## 10.3. Ringing



When the bell signal is detected, the Base Unit sends "GR-PAGE-REQ (Bell start)". Then receiving the bell data from the Base Unit causes to ring the bell of the Handset.

# 11 BLOCK DIAGRAM (BASE UNIT\_MAIN)



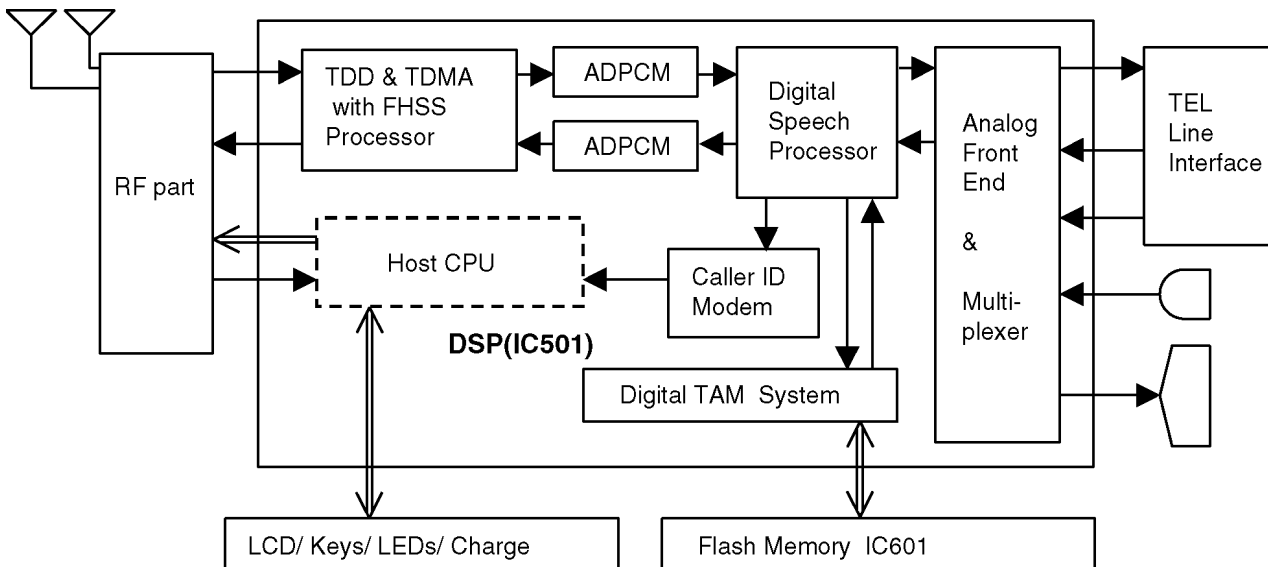
KX-TG5631/5632/5633 BLOCK DIAGRAM (Base Unit\_Main)

# 12 CIRCUIT OPERATION (BASE UNIT\_MAIN)

## General Description:

(DSP, Flash Memory) is a digital speech/signal processing system that implements all the functions of speech compression, record and playback, and memory management required in a digital telephone answering machine.

The DSP system is fully controlled by a host processor DSP. The host processor provides activation and control of all that functions as follows.



## 12.1. DSP (Digital Speech/Signal Processing: IC501)

- **Voice Message Recording/Play back**

The DSP system use a proprietary speech compression technique to record and store voice message in Flash Memory. An error correction algorithm is used to enable playback of these messages from the Flash Memory.

- **DTMF Detection/Generator**

The DTMF detection is implemented by the DSP system in software. The DTMF detection is performed during Record, Play back, and Line Monitoring modes of operation.

When the DTMF data from the Handset is received, the DTMF signal is output.

- **Synthesized Voice (Pre-recorded message)**

The DSP implements synthesized Voice, utilizing the built in speech detector and a Flash Memory, which stored the vocabulary.

- **Caller ID and Call Waiting CID demodulation**

The DSP implements monitor and demodulate the FSK signals that provide CID information from the Central Office.

- **Analog Switching**

The voice signal from telephone line is transmitted to the speaker or the voice signal from speakerphone microphone is transmitted to the Telephone line, etc. They are determined by the signal path route operation of voice signal.

- **Block Interface Circuit**

RF part, LED, Key scan, Speaker, Microphone, Telephone line, LCD.

## 12.2. Flash Memory (IC601)

Following information data is stored.

- **Voice signal**

ex: Pre-recorded Greeting message, Incoming message

- **Settings**

ex: message numbers, ID code, Flash Time, Tone/Pulse

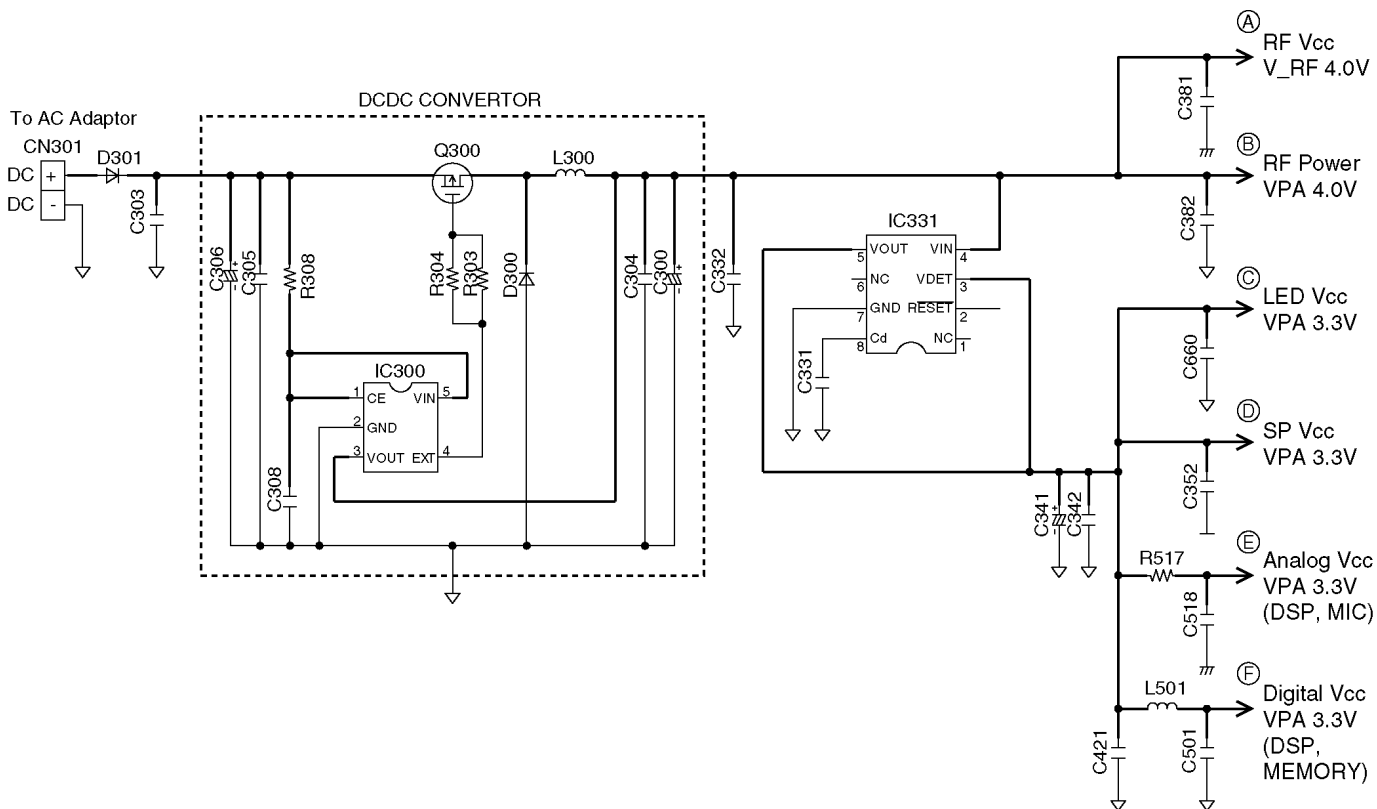
## 12.3. Power Supply Circuit

### Function:

The power supply voltage from AC adaptor is converted to the desired voltage of each block.

### Circuit Operation:

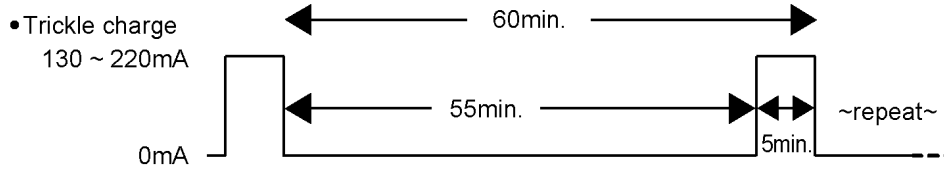
- Q300 and IC300: 4.0V DCDC Converter
- IC331: 3.3V Regulator



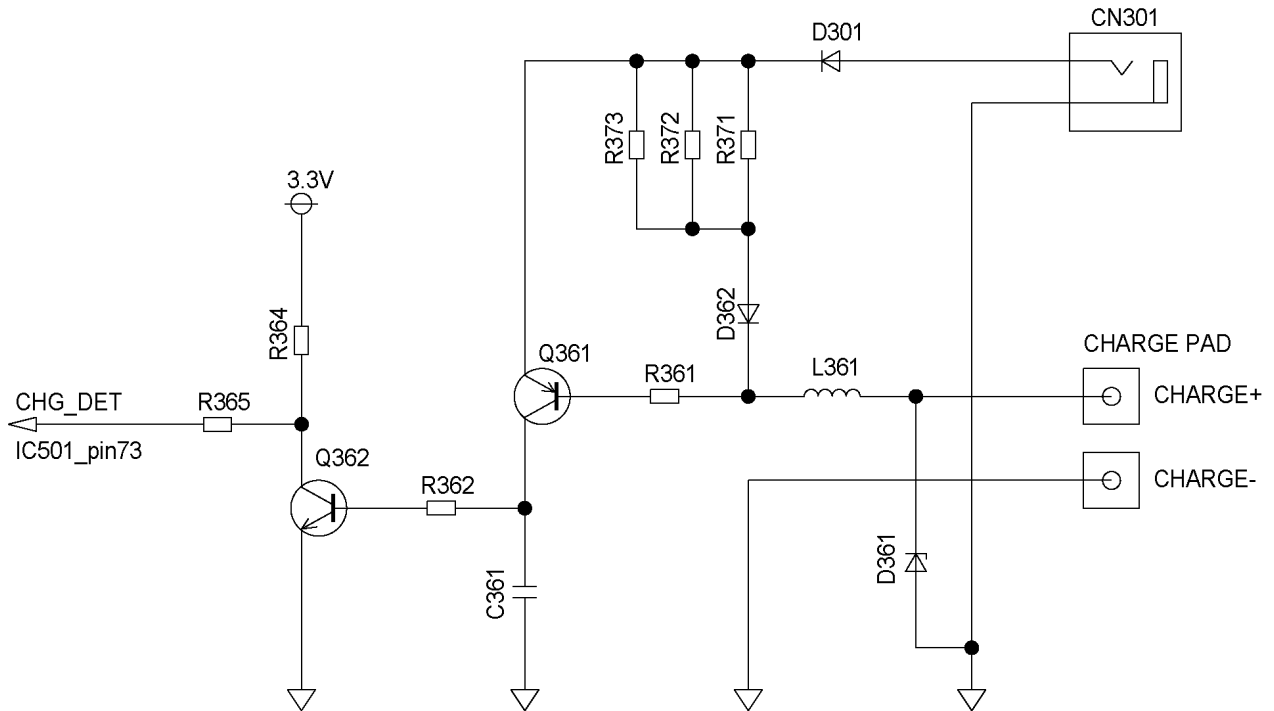
### 12.3.1. Charge Circuit

The voltage from the AC adaptor is supplied to the charge circuits. Main charge (130 ~ 220mA at the Battery) of maximum 7-hours is started soon after the Handset is placed on the Base Unit. Then it changes to Trickle charge to prevent from overcharging.

Charging-form



Q361 and Q362 detect the ON-HOOK state (Handset is placed on Base Unit).



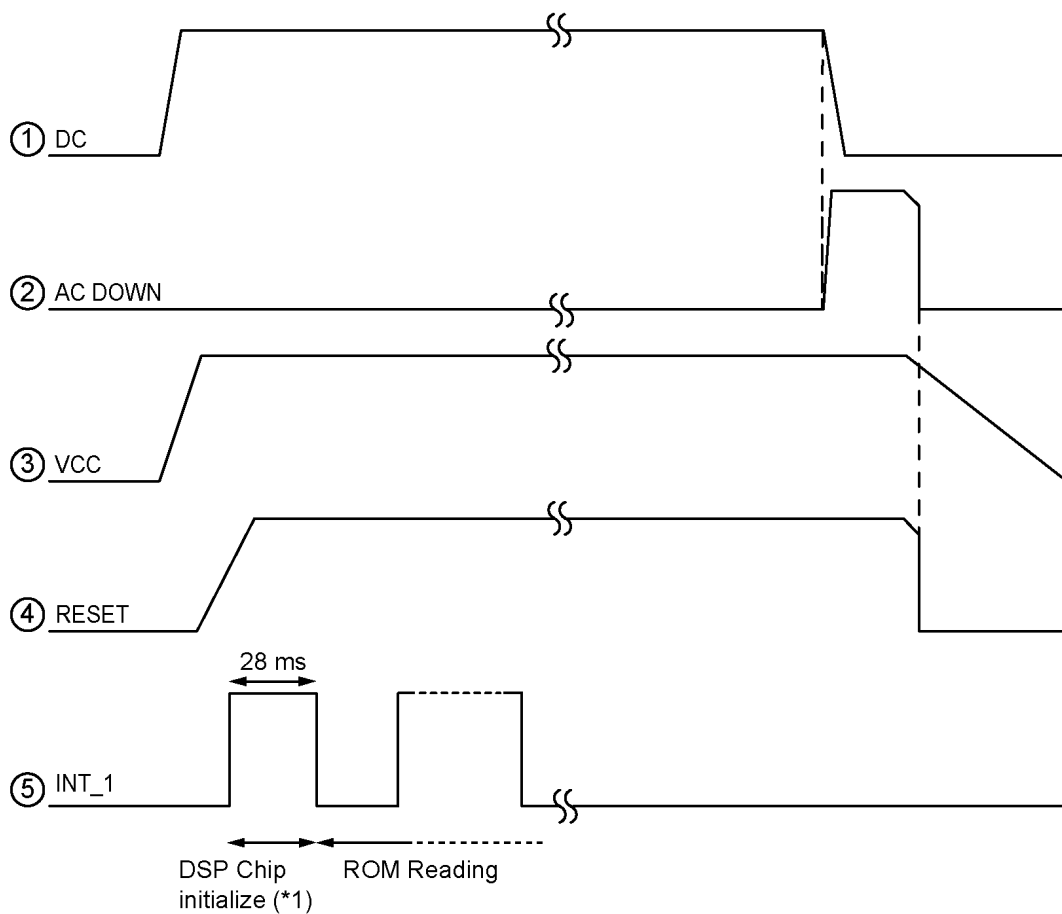
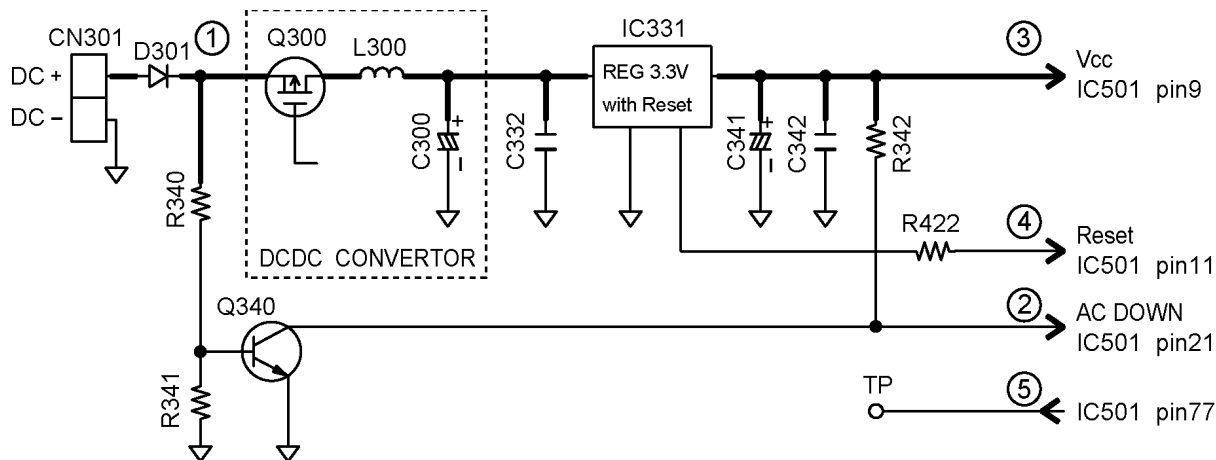
## 12.4. Reset Circuit

### Function:

This circuit is used to initialize the microcomputer when it incorporates an AC adaptor.

### Circuit Operation:

When the AC Adaptor is inserted into the unit, then the voltage is shifted by IC331 and power is supplied to the DSP. The set starts to operate when VCC goes up to 3.0V or more in the circuit voltage diagram.



### Note:

(\*1) The initializing time of the DSP chip is 28ms under normal conditions.

## 12.5. Telephone Line Interface

### Telephone Line Interface Circuit:

#### Function

- Bell signal detection
- ON/OFF hook and pulse dial circuit
- Side tone circuit

#### Bell signal detection and OFF HOOK circuit:

In the idle mode, Q141 is open to cut the DC loop current and decrease the ring load. When ring voltage appears at the Tip (T) and Ring (R) leads (When the telephone rings), the AC ring voltage is transferred as follows:

T → L101 → R111 → C111 → Q111 → DSP pin 3 [BELL]

When the CPU (DSP) detects a ring signal, Q141 turns on, thus providing an off-hook condition (active DC current flow through the circuit). Following signal flow is the DC current flow.

T → L101 → D101 → Q141 → Q161 → R163 → D101 → L102 → P101 → R

#### ON HOOK Circuit:

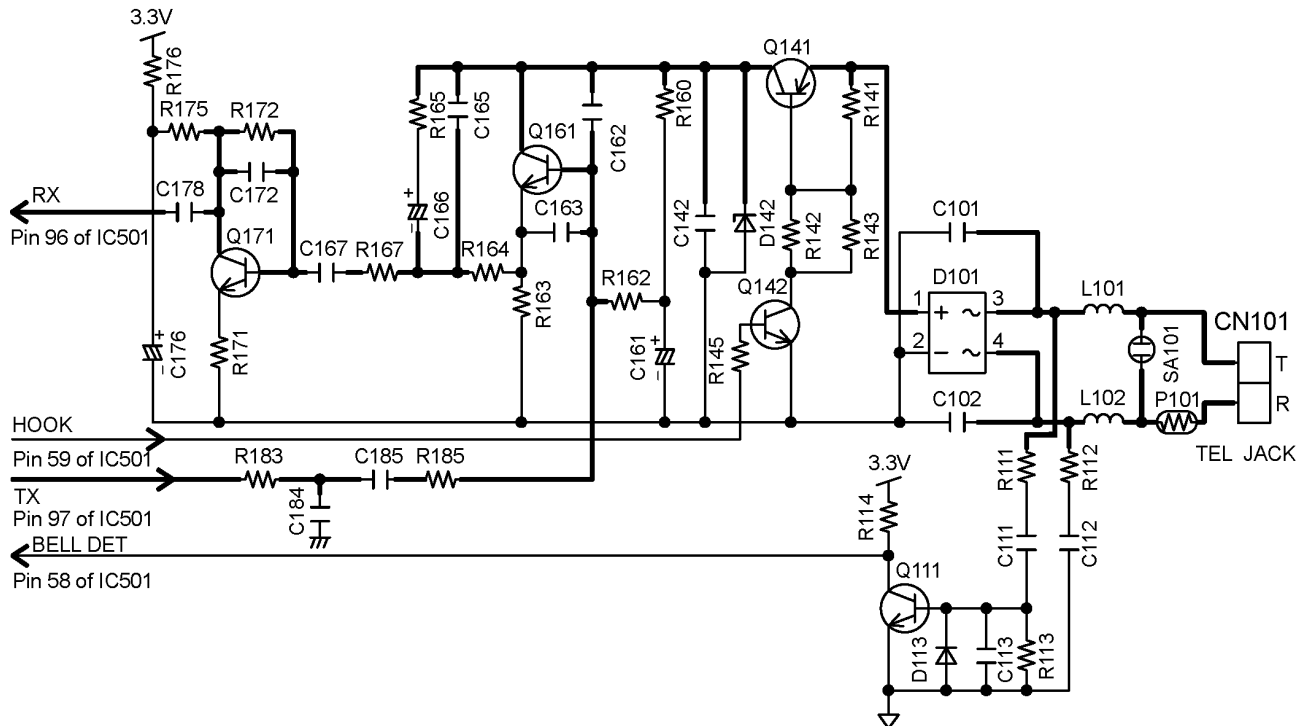
Q141 is open, Q141 is connected as to cut the DC loop current and to cut the voice signal. The unit is consequently in an on-hook condition.

#### Pulse Dial Circuit:

Pin 59 of DSP turns Q141 ON/OFF to make the pulse dialing.

#### Side Tone Circuit:

Basically this circuit prevents the TX signal from feeding back to RX signal. As for this unit, TX signal feed back from Q161 is canceled by the canceller circuit of DSP.



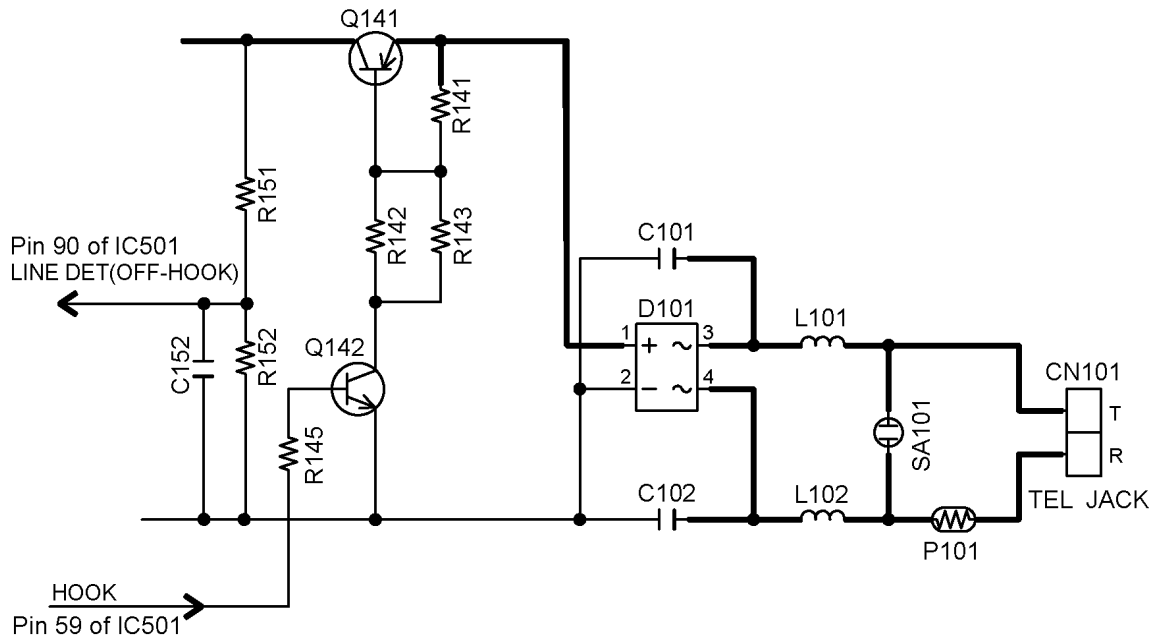
## 12.6. Auto Disconnect Circuit

### Function:

This circuit is used to detect the fact that another telephone connected to the same line is OFF-HOOK while the unit is in a receiving status or OGM transmitting status.

### Circuit Operation:

The voltage of pin 90 of IC501 is monitored. If a parallel-connected telephone is put into OFF-HOOK status, the presence/absence of a parallel connection is determined when the voltage changes by 0.2V or more. When the set detects the parallel-connected telephone is OFF-HOOK status, the line is disconnected.



You can enable or disable the Auto Disconnect function.

See **Check Record** (P.27)

## 12.7. Parallel Connection Detect Circuit

### Function:

In order to disable call waiting and stutter tone functions when using telephones connected in parallel, it is necessary to have a circuit that judges whether a telephone connected in parallel is in use or not. This circuit determines whether the telephone connected in parallel is on hook or off hook by detecting changes in the T/R voltage.

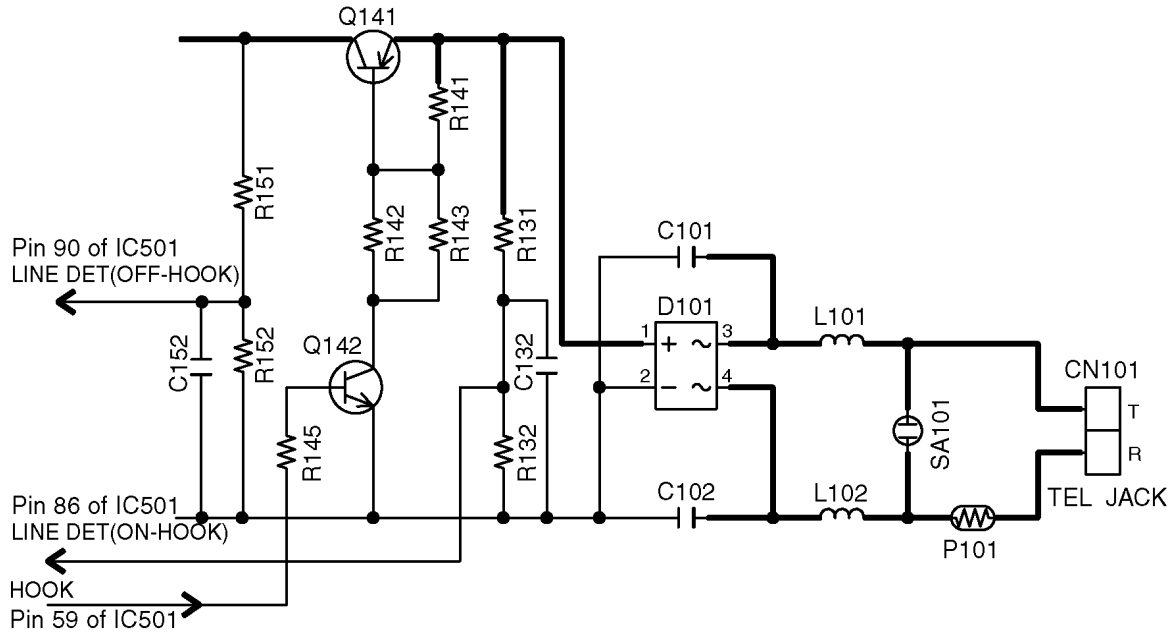
### Circuit Operation:

Parallel connection detection when on hook:

When on hook, the voltage is monitored at pin 86 of IC501. There is no parallel connection if the voltage is 1.65 V or higher, while a parallel connection is deemed to exist if the voltage is lower.

Parallel connection detection when off hook:

When off hook, the voltage is monitored at pin 90 of IC501; the presence/absence of a parallel connection is determined when the voltage changes by 0.2 V or more.



## 12.8. Calling Line Identification (Caller ID)/Call Waiting Caller ID

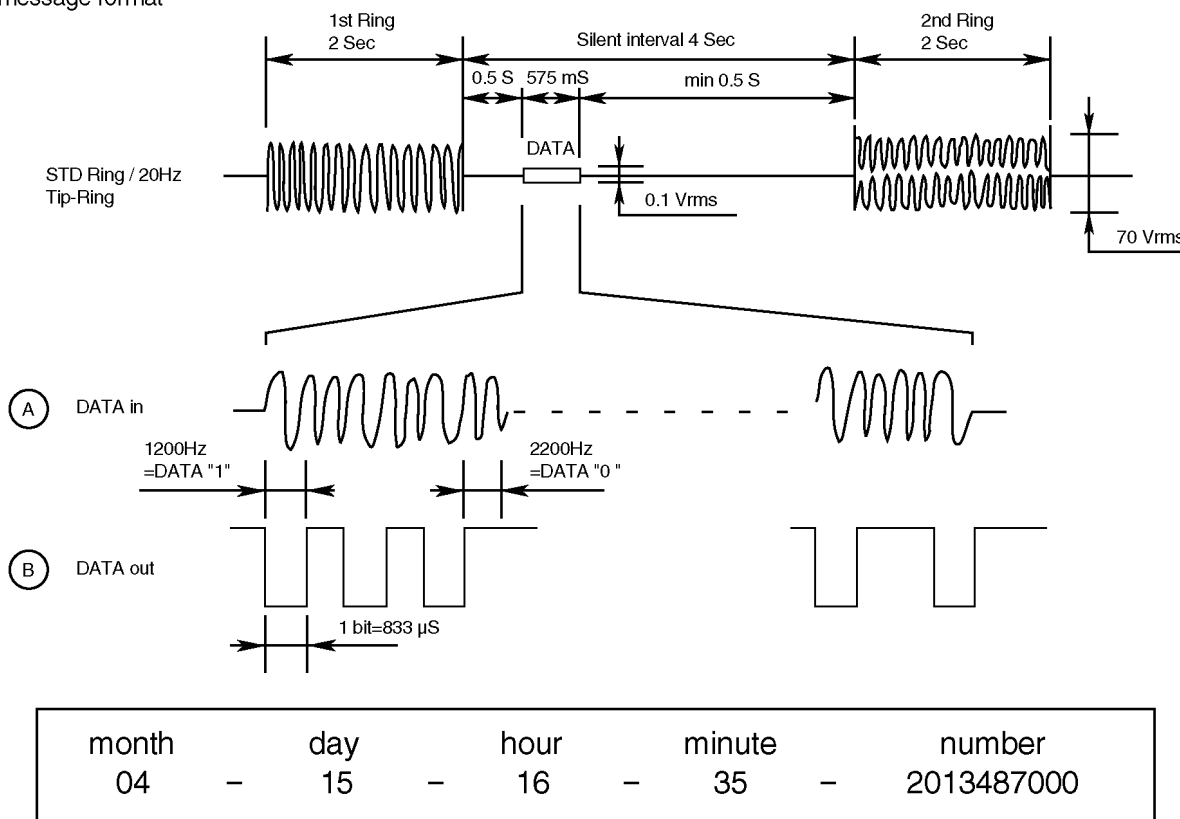
### Function:

#### Caller ID

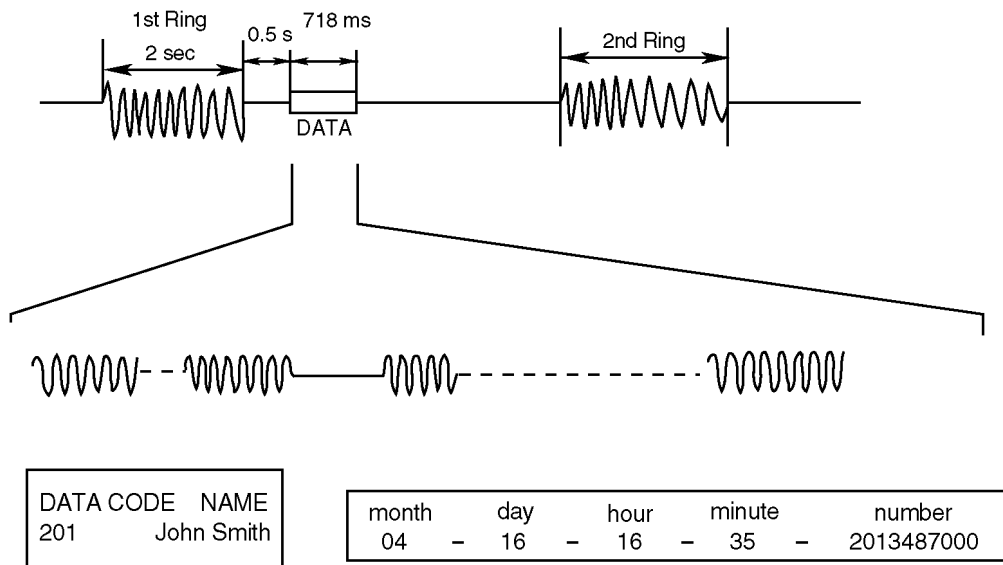
The caller ID is a chargeable ID which the user of a telephone circuit obtains by entering a contract with the telephone company to utilize a caller ID service. For this reason, the operation of this circuit assumes that a caller ID service contract has been entered for the circuit being used. The data for the caller ID from the telephone exchange is sent during the interval between the first and second rings of the bell signal. The data from the telephone exchange is a modem signal which is modulated in an FSK (Frequency Shift Keying) \* format. Data "1" is a 1200 Hz sine wave, and data "0" is a 2200 Hz sine wave. There are two types of the message format which can be received: i.e. the single message format and plural message format. The plural message format allows to transmit the name and data code information in addition to the time and telephone number data.

\*: Also the telephone exchange service provides other formats.

- Single message format



- Plural message format



### Call Waiting Caller ID

Calling Identity Delivery on Call Waiting (CIDCW) is a CLASS service that allows a customer, while off-hook on an existing call, to receive information about a calling party on a waited call. The transmission of the calling information takes place almost immediately after the customer is alerted to the new call so he/she can use this information to decide whether to take the new call.

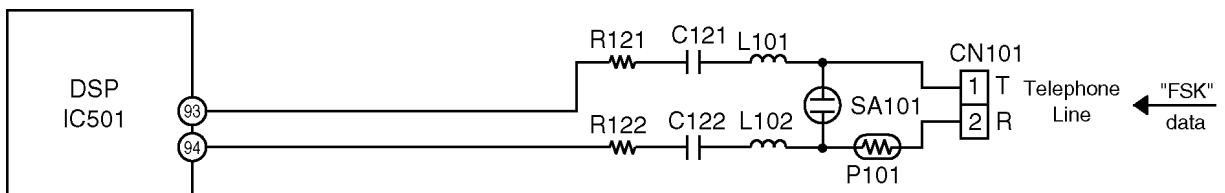
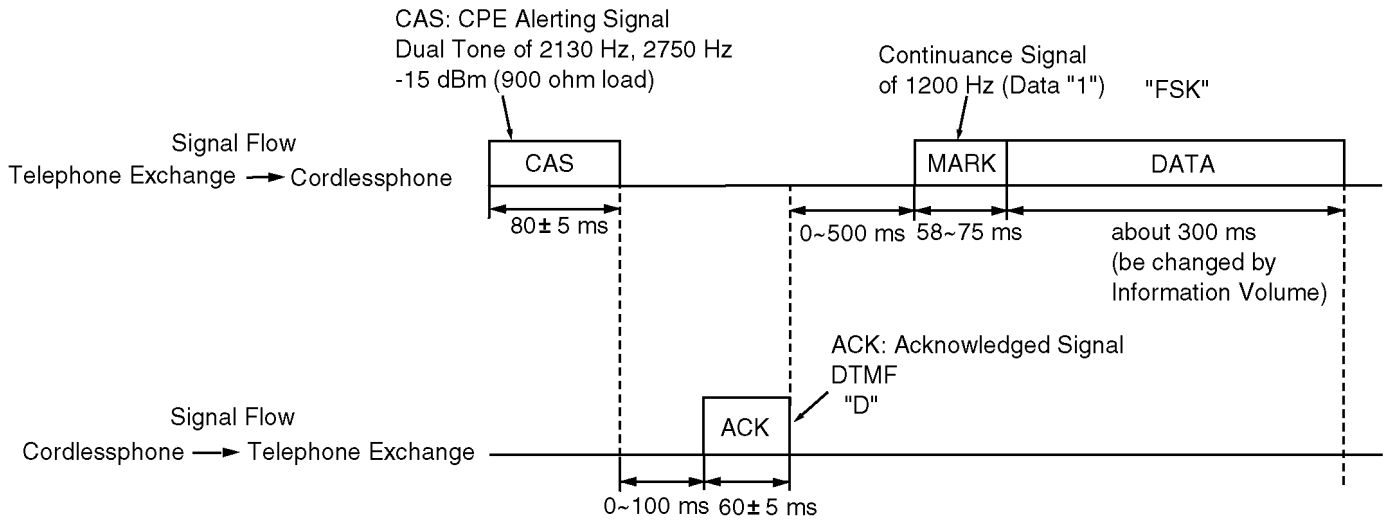
#### Function:

The telephone exchange transmits or receives CAS and ACK signals through each voice RX/TX route. Then FSK data and MARK data pass the following route.

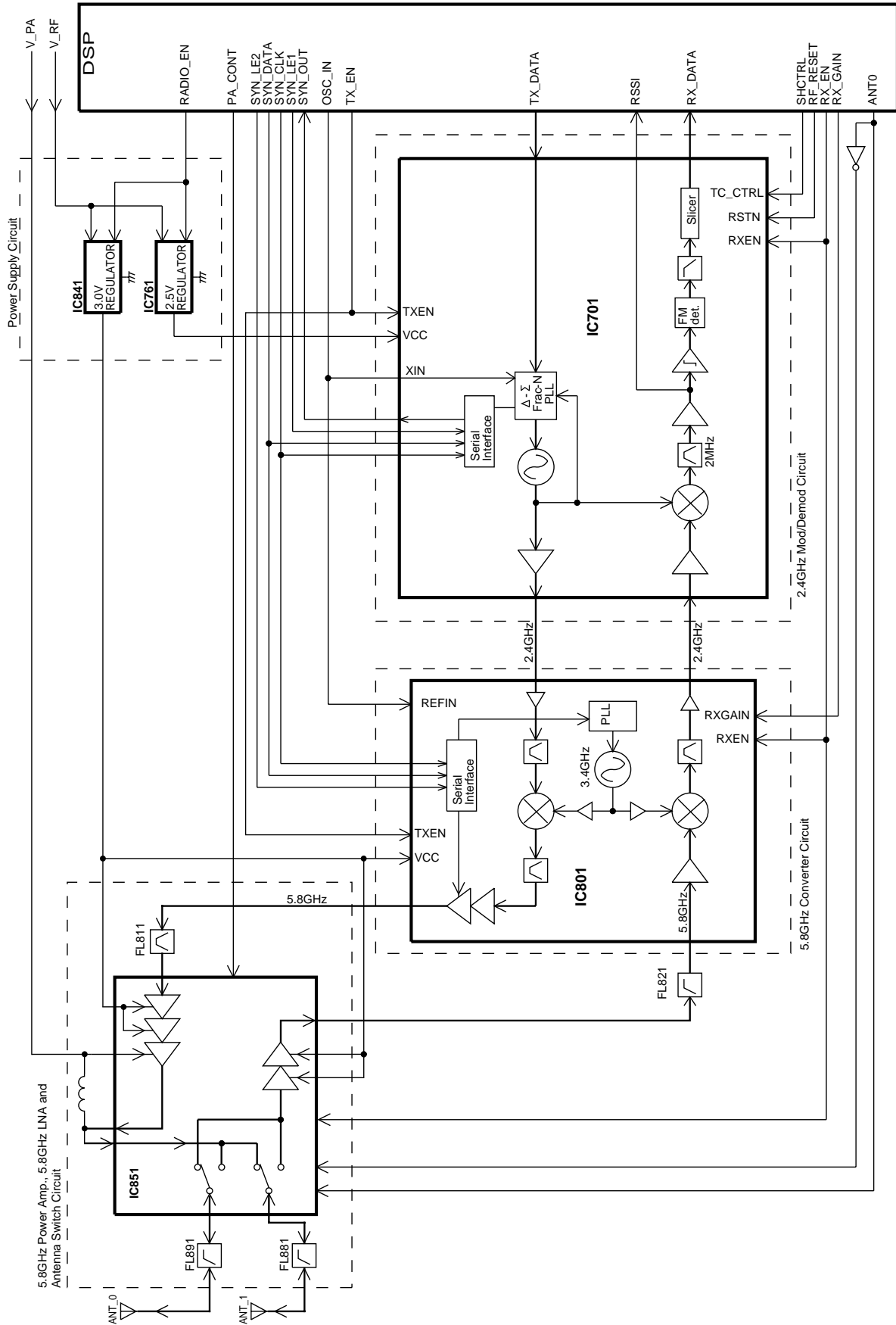
Telephone Line → CN101(T, R) → C121, C122 → R121, R122 → IC501 (93, 94).

If the unit deems that a telephone connected in parallel is in use, ACK is not returned even if CAS is received, and the information for the second and subsequent callers is not displayed on the portable Handset display.

### Call Waiting Format

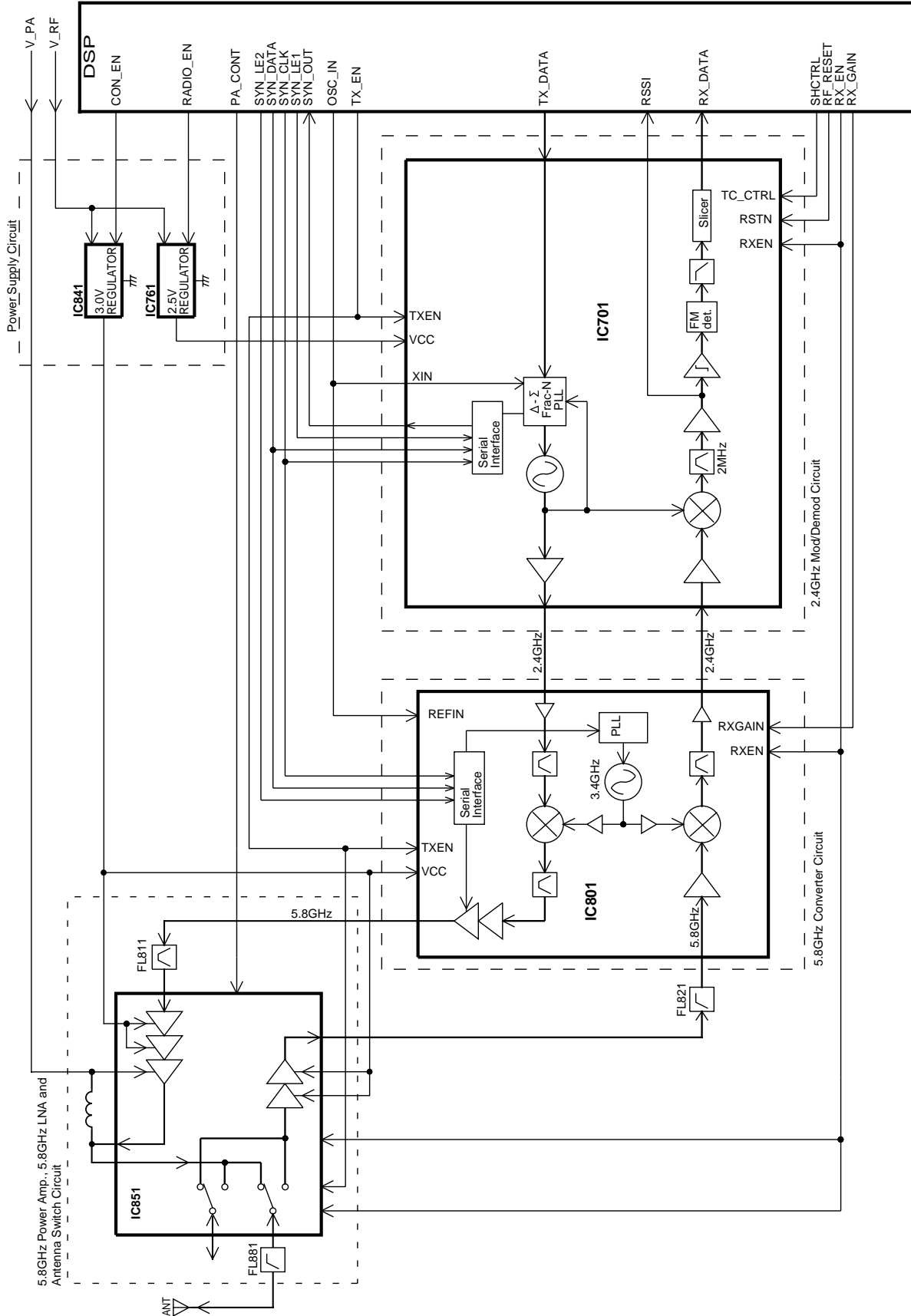


# 13 BLOCK DIAGRAM (BASE UNIT\_RF PART)



KX-TG5631/5632/5633 BLOCK DIAGRAM (Base Unit\_RF Part)

# 14 BLOCK DIAGRAM (HANDSET\_RF PART)

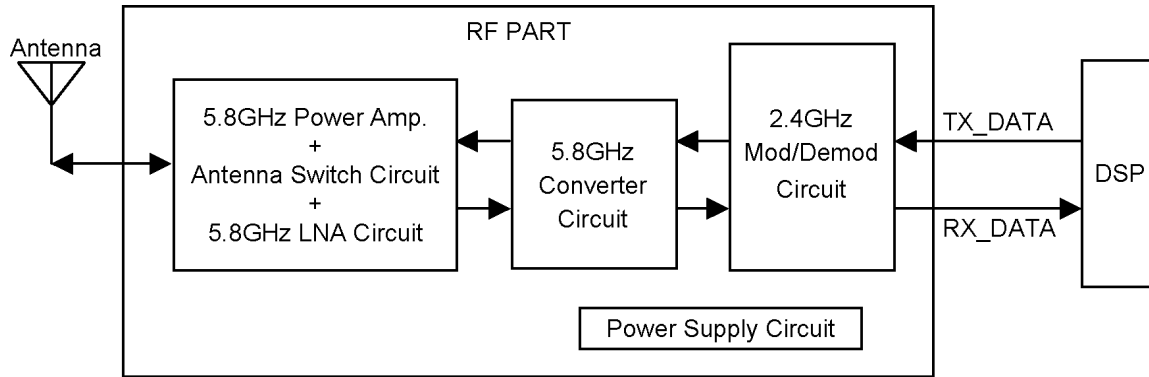


KX-TGA560 BLOCK DIAGRAM (Handset\_RF Part)

# 15 CIRCUIT OPERATION (RF PART)

## General Description:

RF part includes Transmitter and Receiver functions. Digital signals (Mainly voice data) that come from DSP, are modulated and are transmitted. On the other hand, received signals are demodulated and go out to DSP.



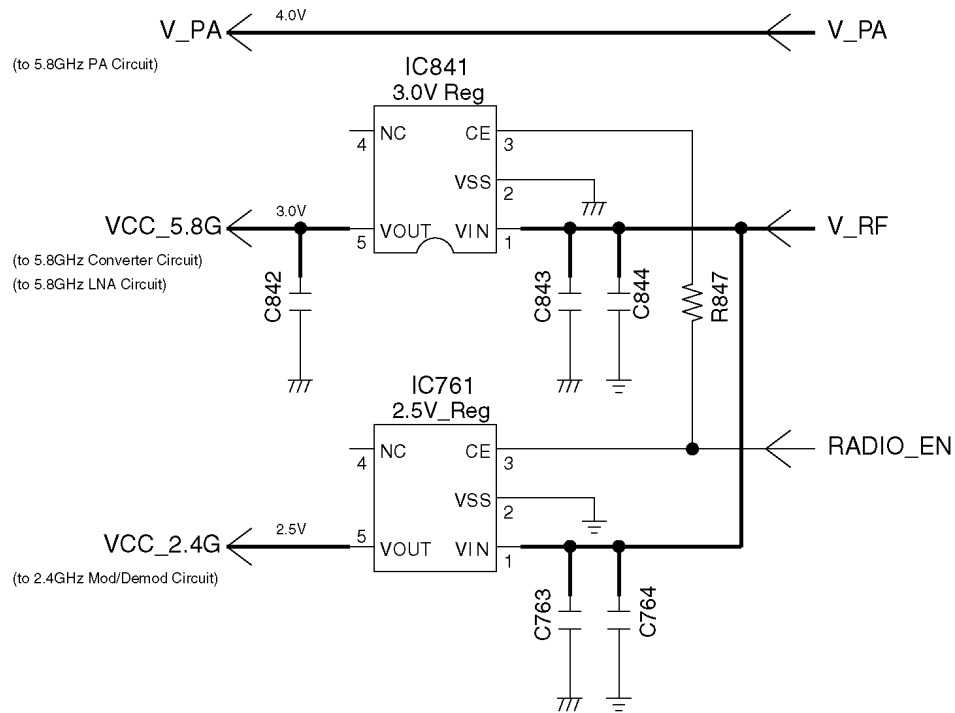
# 15.1. Power Supply Circuit

As indicated below, the various voltages are supplied to each block.

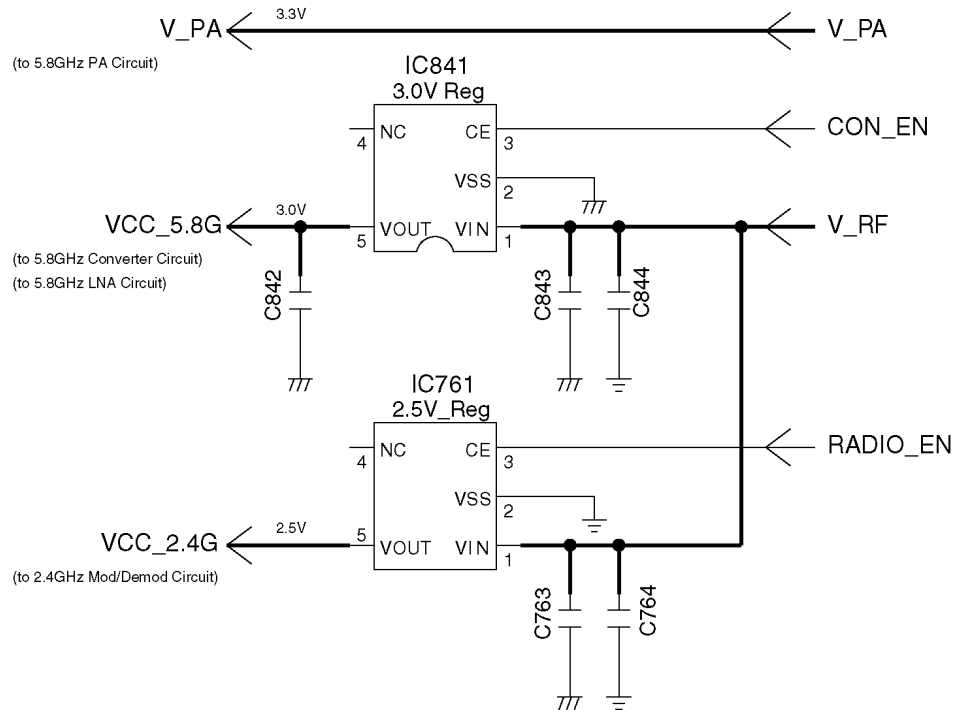
V\_PA, about 4.0V at Base Unit or 3.3V at Handset, is supplied to the Power amplifier in 5.8GHz PA circuit.

IC841 is 3.0V Regulators, and IC761 is a 2.5V Regulator. They output Vcc\_5.8GHz, and Vcc\_2.4GHz respectively by order of RADIO\_EN signal or CON\_EN signal. V\_RF is approximately 4.0V (Base Unit) or 3.6V (Handset).

<Base Unit>

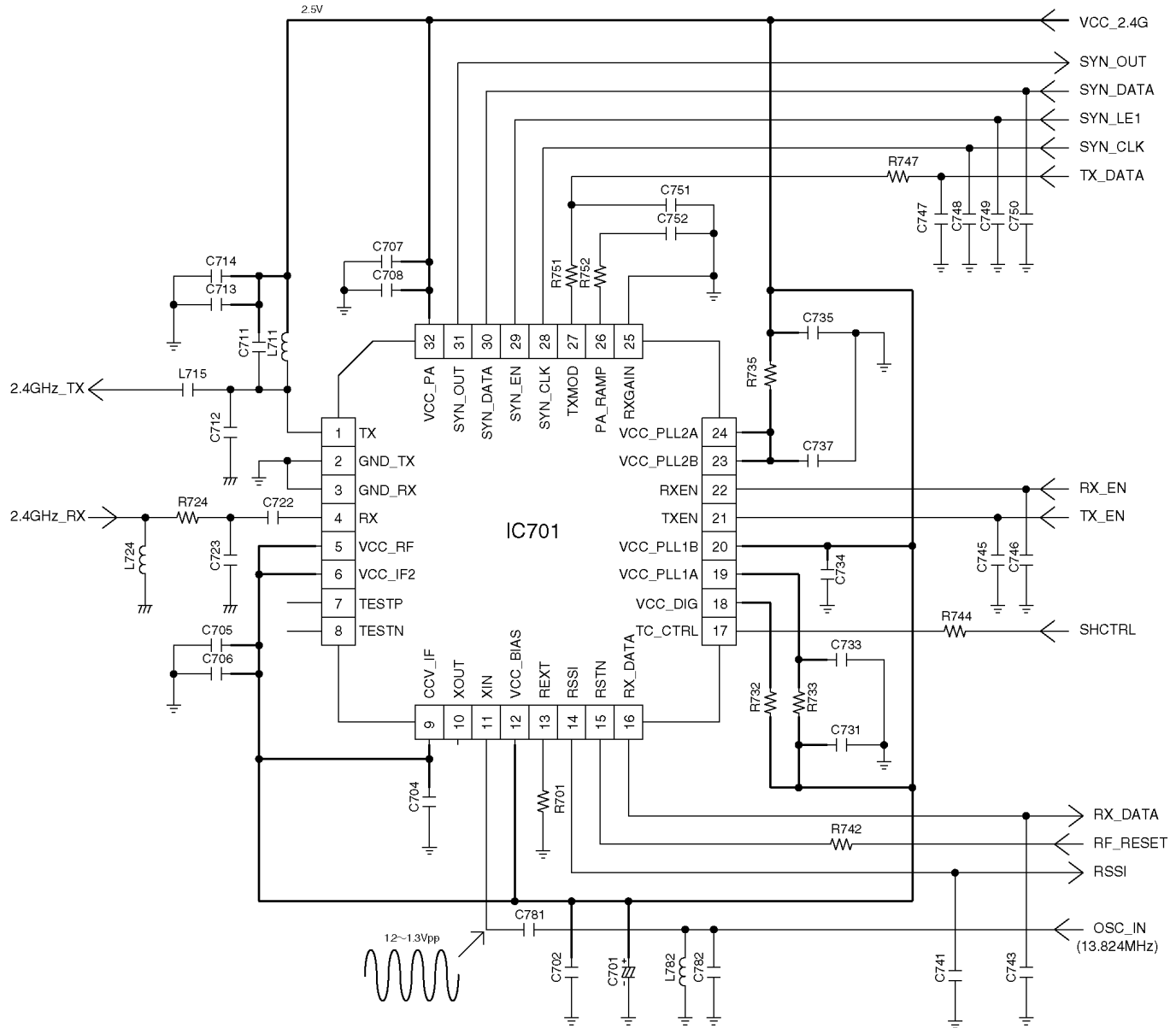


<Handset>



## 15.2. 2.4GHz Mod/Demod Circuit

IC701 incorporates all of the modulation and demodulation functions. TX Digital data (TX\_DATA) from DSP is supplied to pin 27 of IC701, and then 2.4GHz TX modulated signal is output from pin1. This TX signal goes into the 5.8GHz Converter circuit. 2.4GHz RX signal from 5.8GHz Converter circuit is passed through matching circuit and supplied to pin4 of IC701, then demodulated signal (RX\_DATA) comes out from pin 16. At the same time, RSSI (Received Signal Strength Indicator) outputs from the pin 14. Reference clock (13.824MHz) from DSP block is supplied to pin 11 of IC701. VCC\_2.4G supplies 2.5V regulated voltage.



**Note:**

The exposed GND\_PLATE on the bottom of the IC701 supplies the circuit ground(s) for the entire chip. It is very important that a good solder connection is made between this GND\_PLATE and the ground plane of the PCB underlying the IC701.

### 15.3. 5.8GHz Converter Circuit

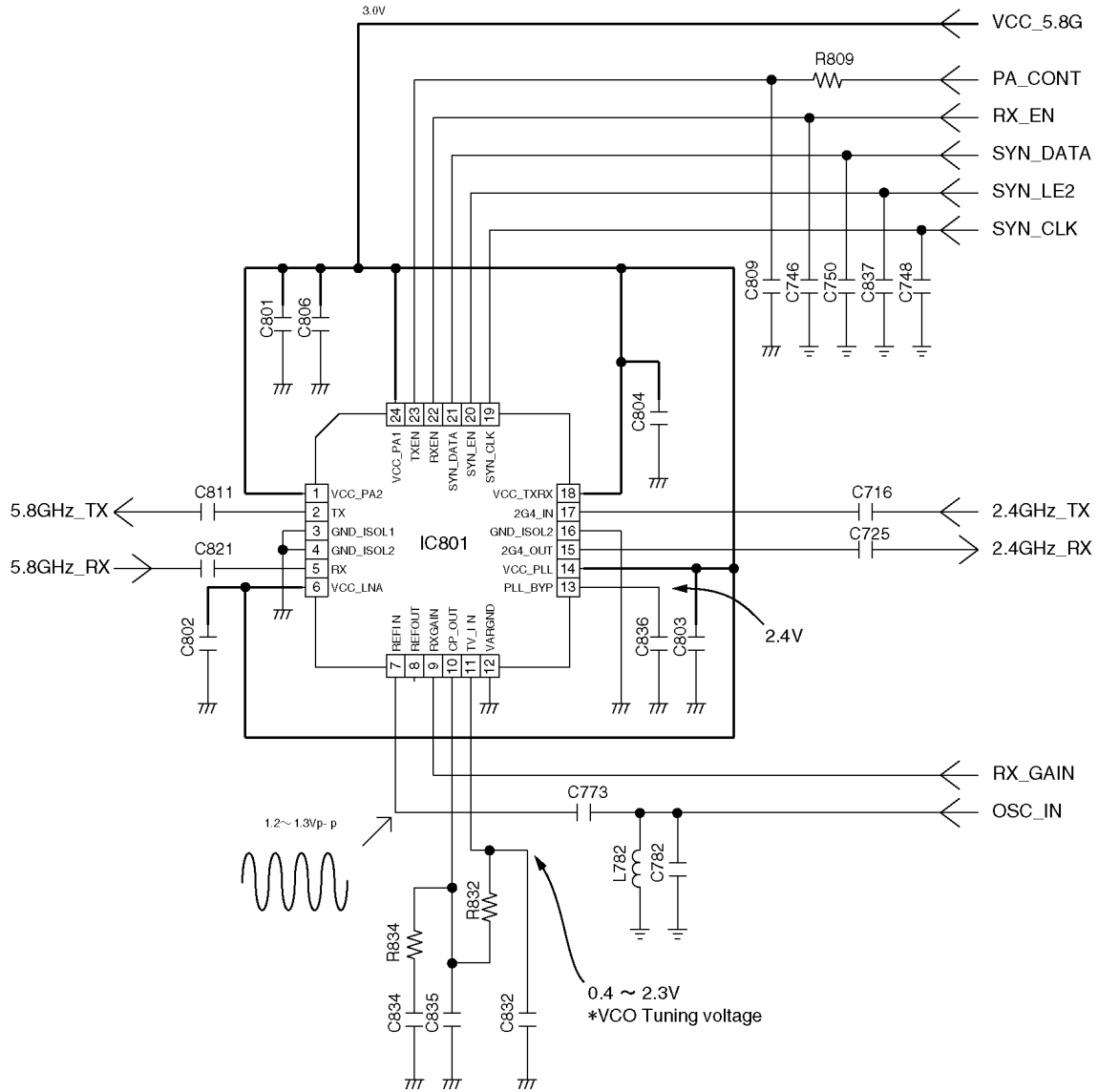
This block converts frequency of TX signal and RX signal.

IC801 includes TX-MIXER, RX-MIXER, PLL and VCO modules internally.

The VCO module is tuned by PLL synthesizer module, and generates 3.4GHz Local signal. Reference clock (13.824MHz) from DSP block is supplied to pin7 of IC701.

2.4GHz TX signal from 2.4GHz Mod/Demod circuit is supplied to pin 17 of IC801, and internal TX-MIXER multiplies it by 3.4GHz Local signal from internal VCO module, and up-converts into 5.8GHz TX signal. This 5.8GHz TX signal is output from pin 2, and goes into the 5.8GHz PA circuit.

5.8GHz RX signal from 5.8GHz LNA circuit supplied to pin 5 of IC801, and internal RX-MIXER multiplies it by 3.4GHz Local signal from internal VCO module, and down-converts into 2.4GHz RX signal. This 2.4GHz RX signal is output from pin 15, and goes into the 2.4GHz Mod/Demod circuits.



**Note:**

The exposed GND\_PLATE on the bottom of the IC801 supplies the circuit ground(s) for the entire chip. It is very important that a good solder connection is made between this GND\_PLATE and the ground plane of the PCB underlying the IC801.

## 15.4. 5.8GHz PA (Power Amplifier), 5.8GHz LNA (Low Noise Amplifier) and Antenna Switch Circuit

PA block amplifies power of 5.8GHz TX signal.

5.8GHz TX signal from 5.8GHz Converter circuit is filtered by 5.8GHz-BPF FL811, and amplified by Power amplifier (PA) block of IC851. After that, it is supplied to Antenna Switch block of IC851. V\_PA is approximately 4.0V at Base Unit, and 3.3V at Handset.

LNA block amplifies receiving 5.8GHz signal.

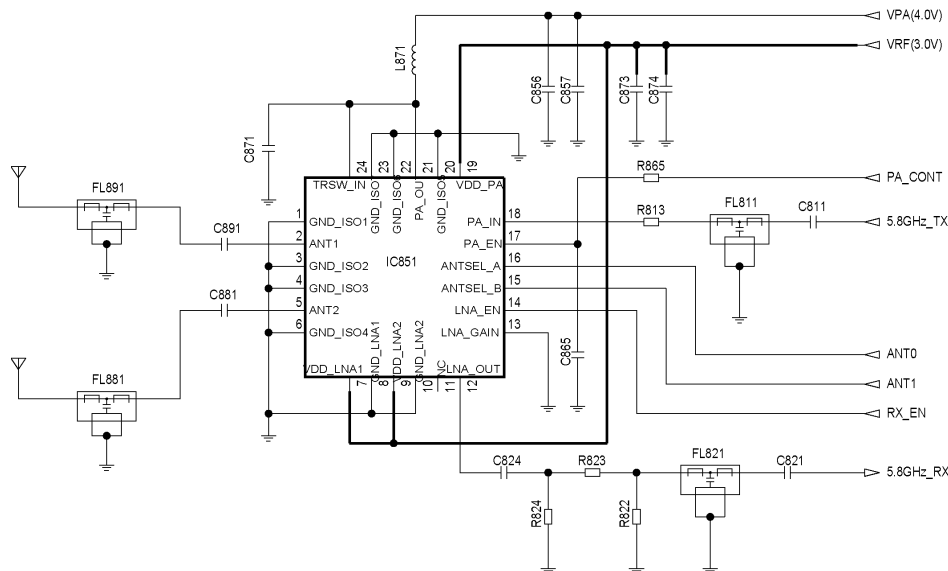
5.8GHz RX signal from Antenna Switch block of IC851 amplified by LNA (Low Noise Amplifier) block of IC851 and filtered by HPF (FL821), and then supplied to 5.8GHz Converter circuit.

Antenna Switch block selects the TX 5.8GHz signal or RX 5.8GHz signal, and connect to Antenna terminal.

### Note:

The exposed GND\_PLATE on the bottom of the IC851 supplies the circuit ground(s) for the entire chip. It is very important that a good solder connection is made between this GND\_PLATE and the ground plane of the PCB underlying the IC851.

### <Base Unit>

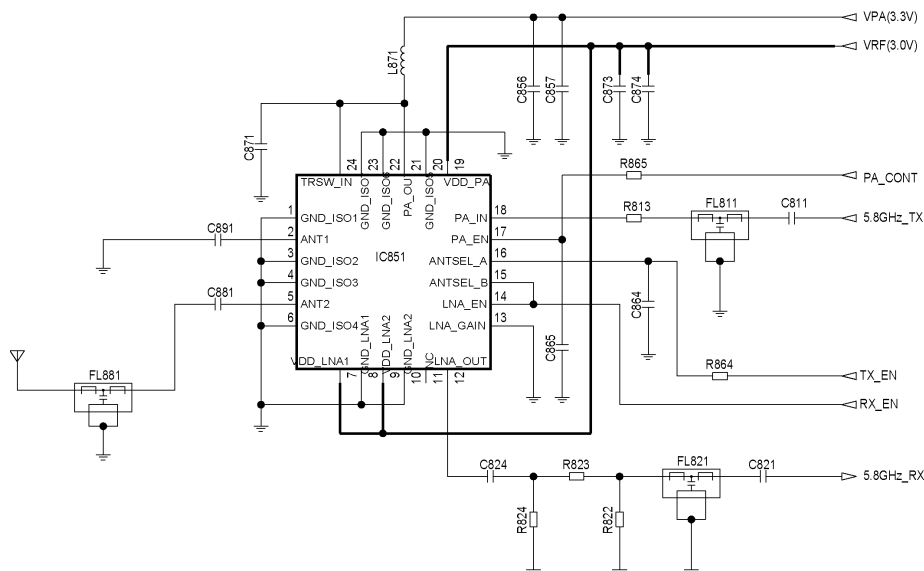


IC851 includes Switches for High frequency signals, and controlled by ANT0 signal and ANT 1 signal from DSP.

DSP is checking RSSI (Received Signal Strength Indicator) signal, and selects better condition Antenna from two antennas.

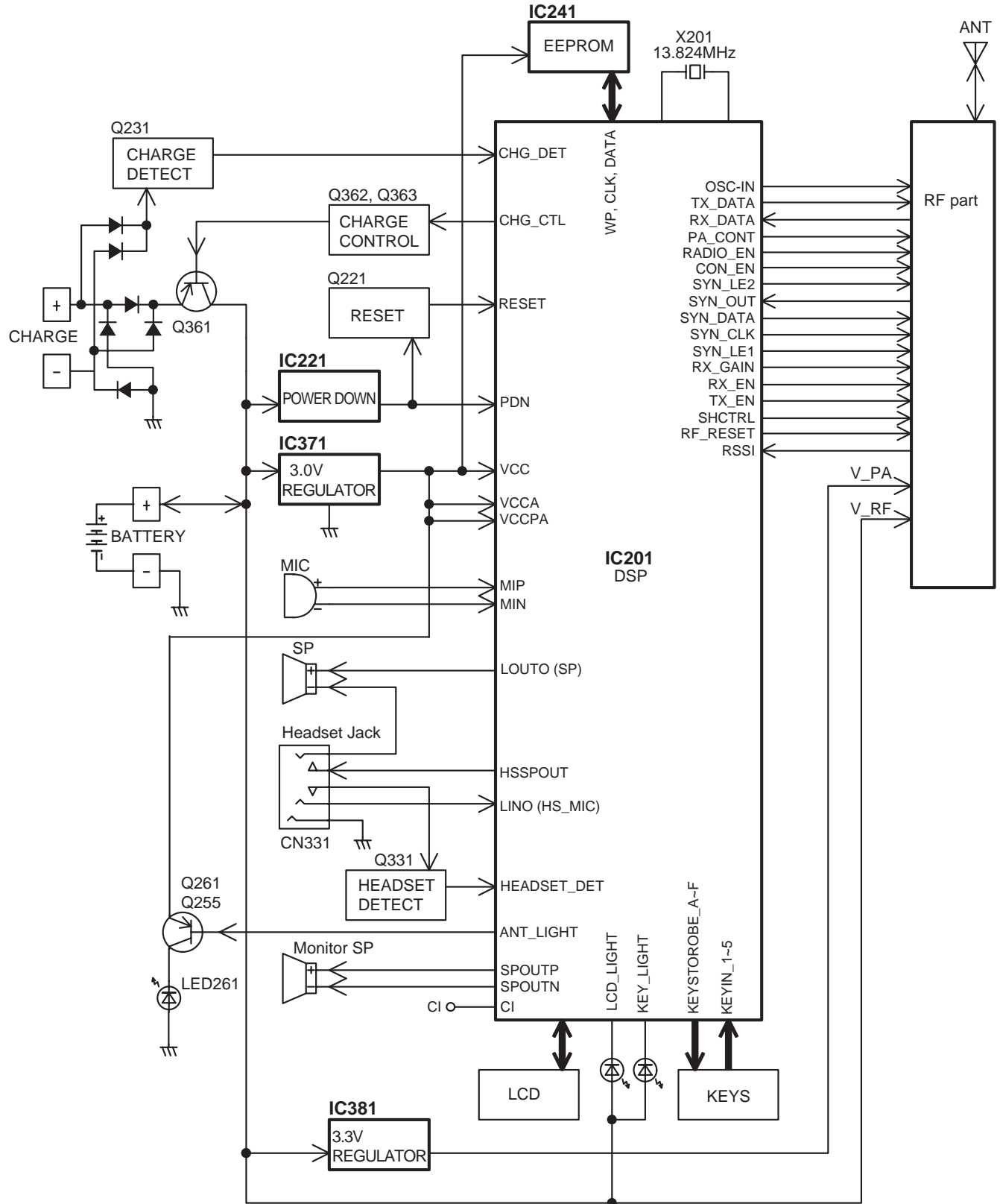
At the TX mode 5.8GHz TX signal from 5.8GHz PA block leads to selected Antenna terminal, at the RX mode 5.8GHz RX signal from selected Antenna terminal leads to 5.8GHz LNA block.

### <Handset>



IC851 includes Switch for High frequency signals, and controlled by PA\_CONT signal and RX\_EN signal from DSP. At the TX mode 5.8GHz TX signal from 5.8GHz PA block leads to Antenna terminal, at the RX mode 5.8GHz RX signal from Antenna terminal leads to 5.8GHz LNA block.

# 16 BLOCK DIAGRAM (HANDSET)



KX-TGA560 BLOCK DIAGRAM (Handset)

# 17 CIRCUIT OPERATION (HANDSET)

## 17.1. Construction

The circuit mainly consists of DSP and RF part as shown in the block diagram.

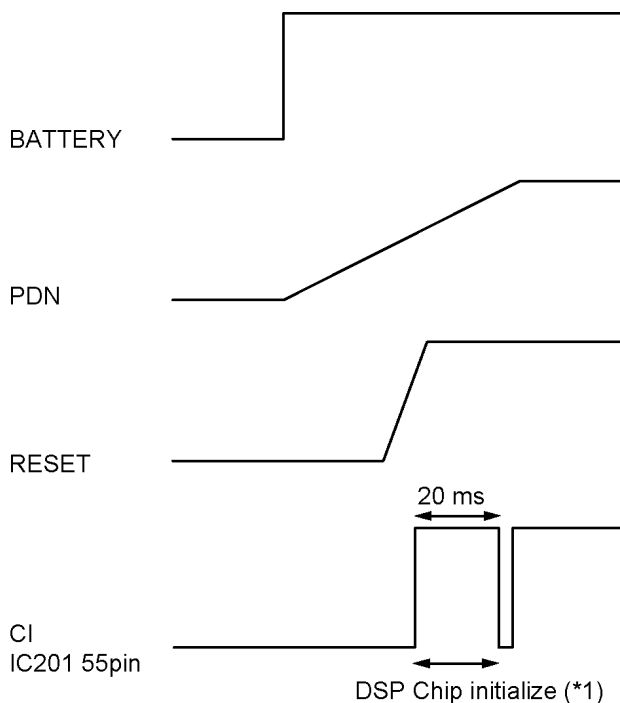
### 17.1.1. DSP: IC201

#### Function

- Battery Low, Power down detect circuit
- Ringer Generation
- Interface circuit

RF part, Speaker, Mic, LED, Key scan, LCD, Headset

#### Initialize



#### Note:

(\*1) The initializing time of the DSP chip is 20ms under normal conditions.

### 17.1.2. RF part

Mainly voice signal is modulated to RF, or it goes the other way.

### 17.1.3. EEPROM: IC241

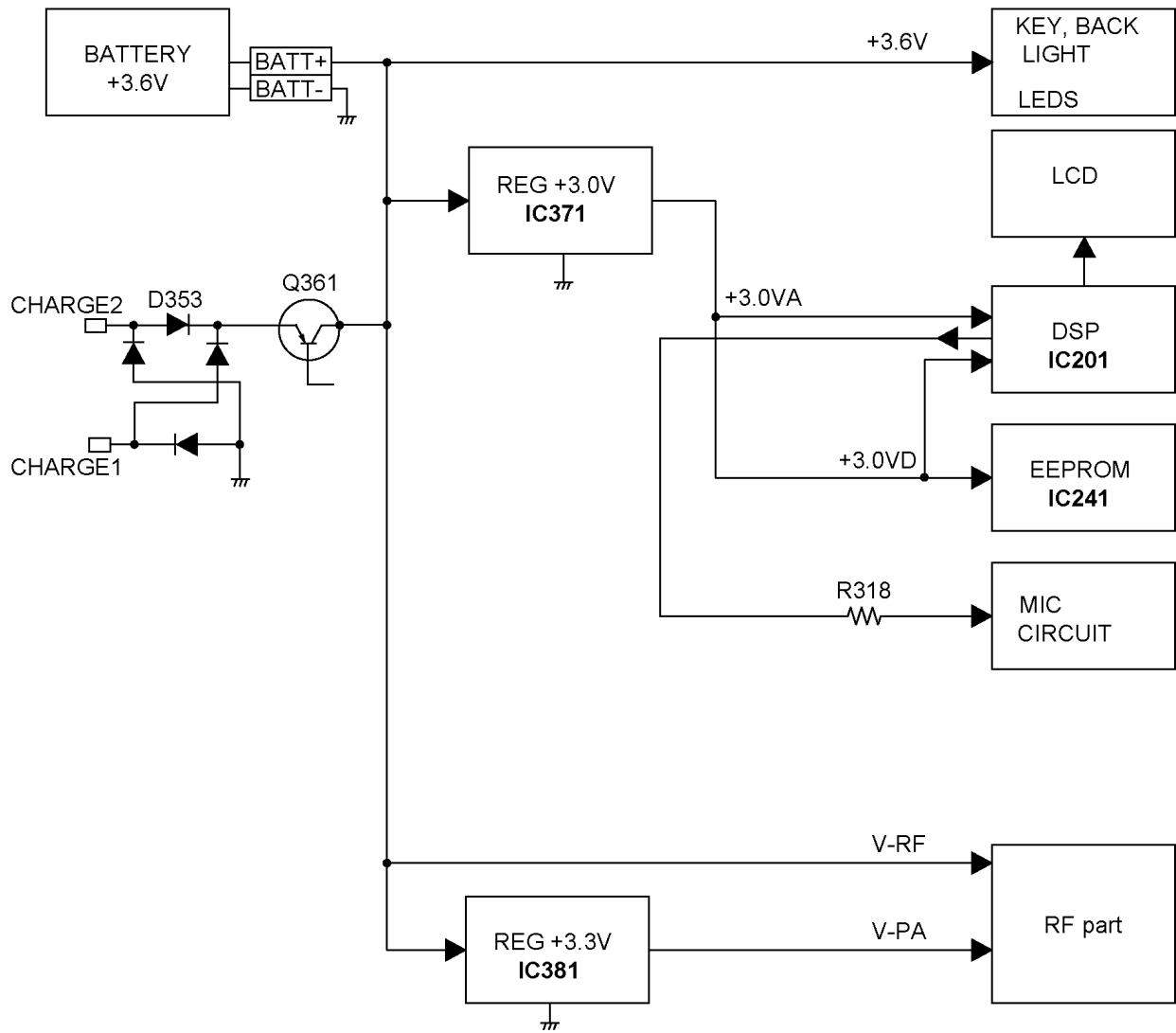
All setting data is stored.

ex: ID code, user setting (Phonebook, Caller ID data)

## 17.2. Power Supply Circuit

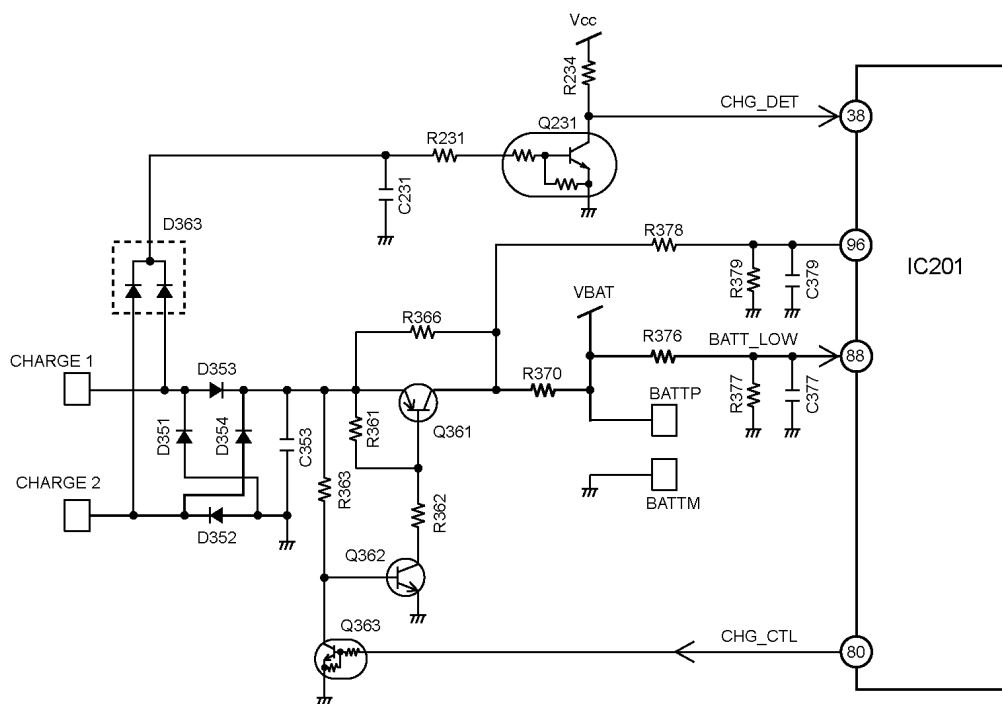
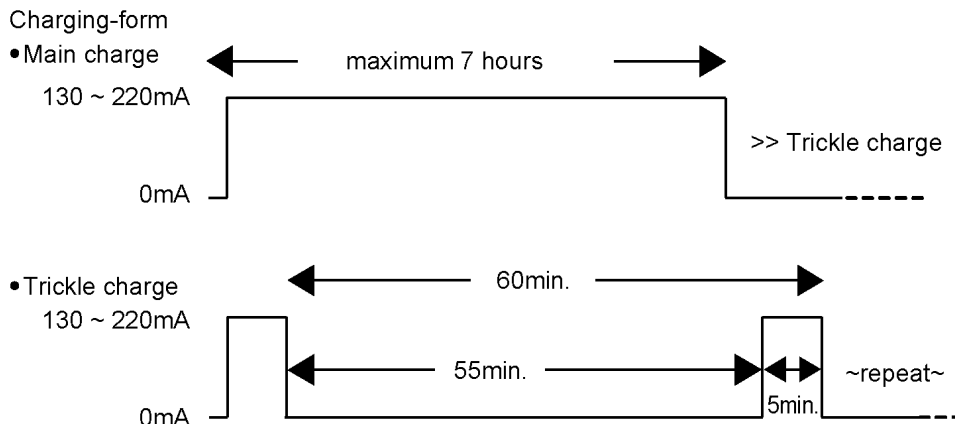
Voltage is supplied separately to each block.

Block Diagram (Handset Power)



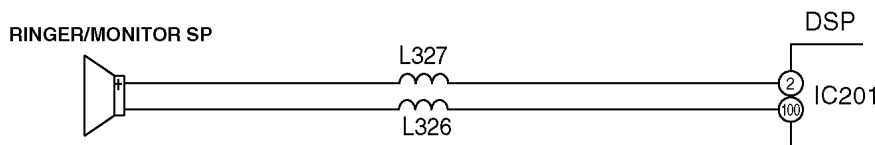
### 17.3. Charge Circuit

When the Handset is put on the cradle of the Base Unit or the charger, the power is supplied from CHARGE+ and CHARGE- terminals to charge the battery via D353 and R366 or Q361. The voltage between CHARGE+ and CHARGE- flows R231 → Q231 → pin38 of IC201, where the charge is detected. Then IC201 calculates the battery consumption amount from the previous charge, and it controls Q361/Q362/Q363 by pin80 of IC201 until charging is complete. When charging is complete, the control pattern is switched to Trickle charging form from Operational charging form.



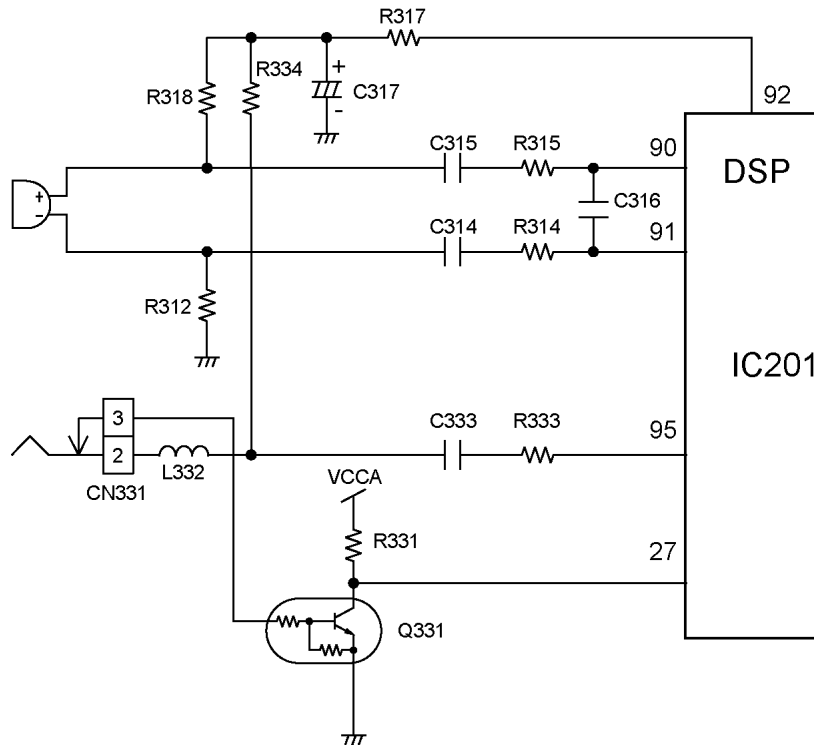
Pin 88 of IC201 monitors the battery voltage and detect BATT LOW at 3.50V.

### 17.4. Ringer and Handset SP-Phone



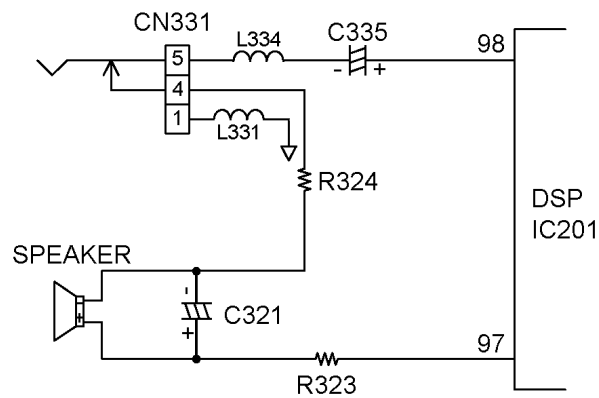
## 17.5. Sending Signal

The voice signal from the microphone is input to DSP (90, 91). CN331 is the headset jack. When the headphone is connected, the Q331 detect it. The input from the microphone of the Handset (MIN, MIP) is cut and the microphone signal from the headset is input to DSP (95). Also the power for the microphone is supplied from DSP (92) and the power is turned OFF on standby.



## 17.6. Reception Signal

The voice signal from the Base Unit is output to DSP (98). This signal is led to the headset jack (CN331). The signal through the headset jack and the other signal output from DSP (97) drives the speaker. When the headset is inserted to the jack, the voice signal is cut at the jack, so the sound does not come out from the speaker, but from the headset only.



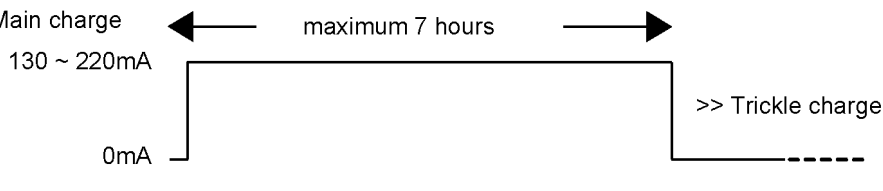
# 18 CIRCUIT OPERATION (CHARGER UNIT)

The voltage from the AC adaptor is supplied to the charge circuits. Main charge (130 ~ 220mA at the Battery) of maximum 7-hours is started soon after the Handset is placed on the Charger Unit. Then it changes to Trickle charge to prevent from overcharging.

## Charging form

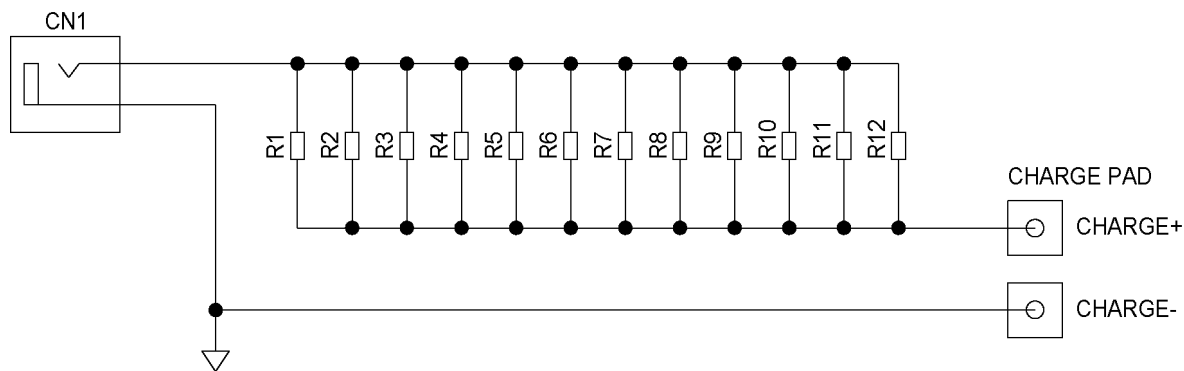
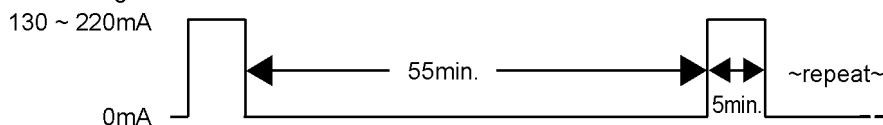
Charging-form

• Main charge



Handset controls Charging-form pattern.

• Trickle charge



The route for this is as follows: DC+pin of CN1→R1 ~ R12→CHARGE+pad→Handset→CHARGE-pad→DC-pin of CN1.

# 19 SIGNAL ROUTE

Each signal route is as follows.

SIGNAL ROUTE	IN	→	ROUTE	→	OUT
HANDSET TX			HANDSET MIC - C314/C315 - R314/R315 - IC201(91/90 - 20) - <HANDSET_RF_TX_ROUTE> - ANT. ---		
			---ANT. - <BASE_UNIT_RF_RX_ROUTE> - IC501(34 - 97) - R183- C185 - R185 - Q161 - Q141 - D101 - L101/L102 - CN101(TEL LINE)		
HANDSET RX			CN101(TEL LINE) - L101/L102 - D101 - Q141 - C165 - R167 - C167 - Q171 - C178 - R178 - IC501(96 - 18) - <BASE_UNIT_RF_TX_ROUTE> - ANT. ---		
			--- ANT. - <HANDSET_RF_RX_ROUTE> - IC201(36 - 98/97) - [C335 - L334 - HEADSET_JACK(5 - 4) - R324]/R323- HANDSET SPEAKER		
HEADSET TX			HEADSET_JACK(2) - L332 - C333 - R333 - IC201(95 - 20) - <HANDSET_RF_TX_ROUTE> - ANT. ---		
			---ANT. - <BASE_UNIT_RF_RX_ROUTE> - IC501(34 - 97) - R183 - C185 - R185 - Q161- Q141 - D101 -L101/L102 - CN101(TEL LINE)		
HEADSET RX			CN101(TEL LINE) - L101/L102 - D101 - Q141 - C165 - R167 - C167 - Q171 - C178 - R178 - IC501(96 - 18) - <BASE_UNIT_RF_TX_ROUTE> - ANT. ---		
			--- ANT. - <HANDSET_RF_RX_ROUTE> - IC201(36 - 98) - C335 - L334 - HEADSET_JACK(5)		
HANDSET SP-Phone TX			HANDSET MIC - C314/C315 - R314/R315 - IC201(91/90 - 20) - <HANDSET_RF_TX_ROUTE> - ANT. ---		
			---ANT. - <BASE_UNIT_RF_RX_ROUTE> - IC501(34 - 97) -R183 - C185 -R185 -Q161 -Q141 - D101 - L101/L102 -CN101(TEL LINE)		
HANDSET SP-Phone RX			CN101(TEL LINE) - L101/L102 - D101 - Q141 - C165 - R167 - C167 - Q171 - C178 -R178 - IC501(96 - 18) - <BASE_UNIT_RF_TX_ROUTE> - ANT. ---		
			--- ANT. -<HANDSET_RF_RX_ROUTE> - IC201(36 - 2/100) - L327/L326 - MONITOR SP		
INTERCOM HANDSET TO BASE UNIT			HANDSET MIC - C314/C315 - R314/R315 - IC201(91/90 - 20) - <HANDSET_RF_TX_ROUTE> - ANT. ---		
			--- ANT. - <BASE_UNIT_RF_RX_ROUTE> - IC501(34 - 2/100) - R473/R474 - L473/L474 - SPEAKER		
INTERCOM BASE UNIT TO HANDSET			MIC - C457/C458 - R459/R460 - IC501(88/89 - 18) - <BASE_UNIT_RF_TX_ROUTE> - ANT. ---		
			--- ANT. - <HANDSET_RF_RX_ROUTE> - IC201(36 - 98/97) - [C335 - L334 - HEADSET_JACK(5 - 4) - R324]/R323- HANDSET SPEAKER		
GREETING RECORDING			MIC - C457/C458 - R459/R460 - IC501(88/89 - 13/14) - IC601		
GREETING PLAY TO TEL LINE			IC601 - IC501(13/14 - 97) - R183 - C185 - R185 - Q161 - Q141 - D101 - L101/L102 - CN101(TEL LINE)		
ICM RECORDING			CN101(TEL LINE) - L101/L102 - D101 - Q141 - C165 - R167 - C167 - Q171 - C178 - R178 - IC501(96 - 13/14) - IC601		
ICM PLAY TO SPEAKER			IC601 - IC501(13/14 - 2/100) - R473/R474 - L473/L474 - SPEAKER		

**Note:**

: inside of Handset

Each signal route is as follows.

SIGNAL ROUTE	IN	→	ROUTE	→	OUT
DTMF SIGNAL TO TEL LINE	IC501(97)	-	R183 - C185 - R185 - Q161 - Q141 - D101 - L101/L102	-	CN101(TEL LINE)
DTMF DETECTION	CN101(TEL LINE)	-	L101/L102 - D101 - Q141 - C165 - R167 - C167 - Q171 - C178 - R178	-	IC501(96)
CALLER ID	CN101(TEL LINE)	-	L101/L102 - C121/122 - R121/122	-	IC501(93/94)
BELL DETECTION	CN101(TEL LINE)	-	L101/L102 - R111/R112 - C111/C112 - Q111	-	IC501(58)

**RF part signal route**

SIGNAL ROUTE	IN	→	ROUTE	→	OUT
<b>HANDSET RF [ TX_ROUTE ]</b>		<	R747 - R751 - IC701(27 - 1) - L751 - C716 - IC801(17 - 2) - FL811 - R813 - IC851(18 - 5) - C881 - FL881	>	
<b>HANDSET RF [ RX_ROUTE ]</b>		<	FL881 - C881 - IC851(5 - 12) - C824 - R823 - FL821 - C821 - IC801(5 - 15) - C725 - R724 - C722 - IC701(4 - 16)	>	
<b>BASE UNIT RF [ TX_ROUTE ]</b>		<	R747 - R751 - IC701(27 - 1) - L751 - C716 - IC801(17 - 2) - R813 - IC851(18 - 5/2) - C881/C891 - FL881/FL891	>	
<b>HANDSET RF [ RX_ROUTE ]</b>		<	FL881/FL891 - C881/C891 - IC851(5/2 - 12) - C824 - R823 - FL821 - C821 - IC801(5 - 15) - C725 - R724 - C722 - IC701(4 - 16)	>	

**Note:**

: inside of Handset

# 20 CPU DATA (BASE UNIT)

## 20.1. IC501

PIN	Description	I/O	High	High_Z	Low
1	GNDPA	GND	--	--	--
2	SPOUTP	A.O	--	--	--
3	BMCCLK	A.O	--	--	--
4	TXMOD	A.O	--	--	--
5	RSSI	A.I	--	--	--
6	XIN	A.I	--	--	--
7	XOUT	A.O	--	--	--
8	VDD	D.O	--	--	--
9	VCCIN	VCC	--	--	--
10	GND	GND	--	--	GND
11	RSTN	D.I	Normal	--	Reset
12	FLASH_RST	*	High	Middle	Low
13	FLASH_SO	*	High	Middle	Low
14	FLASH_SI	*	High	Middle	Low
15	FLASH_CS	*	High	Middle	Low
16	NC	D.O	--	--	--
17	SYN_OUT	D.I	High	--	Low
18	TX_DATA	D.O	High	--	Low
19	PA_CONT	D.O	Low Power	--	High Power
20	SYN_LE2	D.O	Not	--	Active
21	AC_DOWN_DET	D.I	High	--	Low
22	RF_RST	D.O	Normal	--	WakeUp
23	RADIO_EN	D.O	Active	--	Not
24	SHCTRL	D.O	Active	--	Not
25	ANT0	D.O	On	--	Off
26	GND	GND	--	--	GND
27	VCC	VCC	VCC	--	--
28	SYN_LE1	D.O	Not	--	Active
29	SYN_CLK	D.O	High	--	Low
30	SYN_DATA	D.O	High	--	Low
31	RXEN	D.O	Active	--	Off
32	TXEN	D.O	Active	--	Off
33	RXGAIN	D.O	High	--	Low
34	RXI	D.I	High	--	Low
35	SEG12	D.O	High	--	Low
36	SEG11	D.O	High	--	Low
37	SEG10	D.O	High	--	Low
38	SEG9	D.O	High	--	Low
39	SEG8	D.O	High	--	Low
40	SEG7	D.O	High	--	Low
41	SEG6	D.O	High	--	Low
42	SEG5	D.O	High	--	Low
43	SEG4	D.O	High	--	Low
44	SEG3	D.O	High	--	Low
45	NC	D.O	--	--	--
46	GND	GND	--	--	GND
47	VCC	VCC	VCC	--	--
48	NC(INT0)	D.O	--	--	--
49	FLASH_SCK	*	High	Middle	Low
50	NC	D.O	--	--	--
51	NC	D.O	--	--	--
52	NC	D.O	--	--	--
53	KEY_STB_C	D.O	Active	Not	--
54	KEY_STB_B	D.O	Active	Not	--
55	KEY_STB_A	D.O	Active	Not	--
56	LINE_SZ	D.O	On	--	Off
57	NOT_RLY	D.O	On Hook	--	Off Hook
58	BELL	D.I	OFF	--	ON
59	RLY	D.O	Off Hook	--	On Hook
60	NC	D.O	--	--	--
61	NC	D.O	--	--	--
62	NC	D.O	--	--	--

PIN	Description	I/O	High	High_Z	Low
63	KEY_IN3	D.I	Non	--	Key In
64	KEY_IN2	D.I	Non	--	Key In
65	KEY_IN1	D.I	Non	--	Key In
66	GND	GND	--	--	GND
67	VCC	VCC	VCC	--	--
68	TCK	D.O	--	--	--
69	TMS	D.I	--	--	--
70	TDI	D.O	--	--	--
71	TD0	D.O	--	--	--
72	NC	D.O	--	--	--
73	CHG_DET	D.I	Off Charge	--	On Charge
74	NC	D.O	--	--	--
75	COM2	D.I.O	High	Middle	Low
76	COM1	D.I.O	High	Middle	Low
77	NC(INT1)	D.O	--	--	--
78	CHG_LED	D.I.O	--	Off	On
79	NC	D.O	--	--	--
80	ANS_LED	D.I.O	--	Off	On
81	UART_TX	D.O	High	--	Low
82	UART_RX	D.I	High	--	Low
83	MSG_LED	D.I.O	--	Off	On
84	GND	GND	--	--	GND
85	PDN	A.I	--	--	--
86	IBAT	A.I	--	--	--
87	VREF	A.O	--	--	--
88	MIP	A.I	--	--	--
89	MIN	A.I	--	--	--
90	DCIN2	A.I	--	--	--
91	NC	A.O	--	--	--
92	GNDA	GND	--	--	--
93	HSMIP	A.I	--	--	--
94	HSMIN	A.I	--	--	--
95	VCCA	VCC	--	--	--
96	Headset_MIC_in	A.I	--	--	--
97	LOUT0	A.O	--	--	--
98	HSSPOUT	A.O	--	--	--
99	VCCPA	VCC	--	--	--
100	SPOUTN	A.O	--	--	--

### Note:

- The mark "\*" in the I/O column means the port is controlled by the firmware.

# 21 CPU DATA (HANDSET)

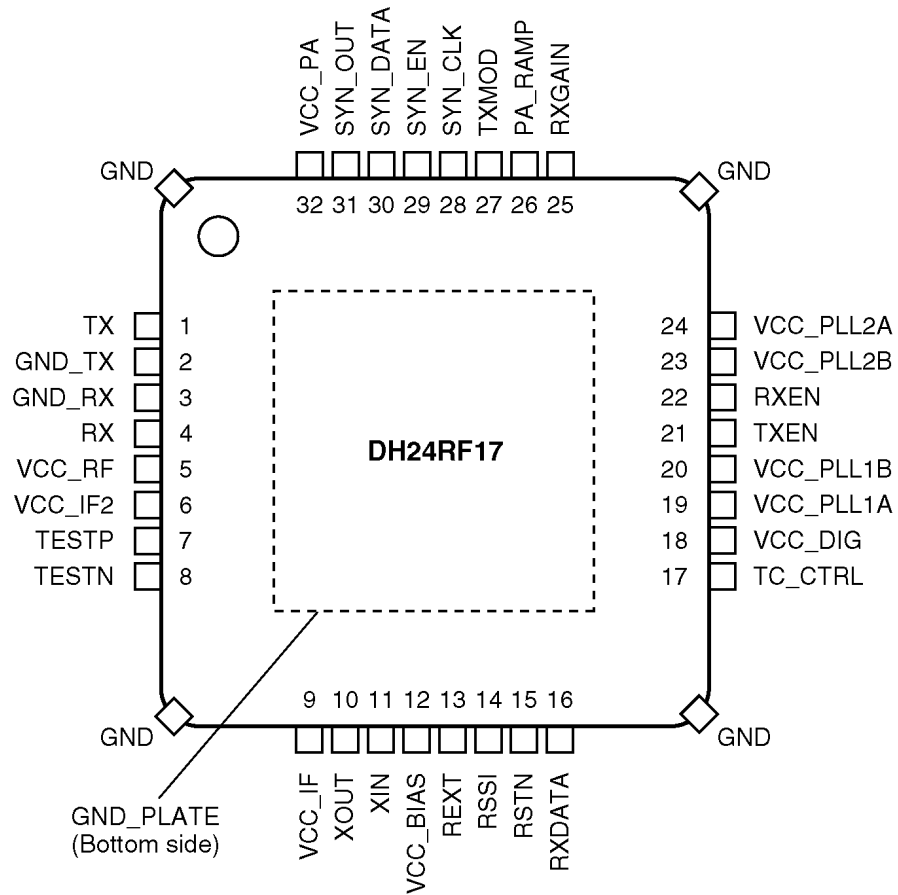
## 21.1. IC201

PIN	Description	I/O	High	High_Z	Low
1	GNDPA	GND	--	--	GND
2	SPOUTP	A.O	--	--	--
3	BCLK	A.O	--	--	--
4	RSSI	A.I	--	--	--
5	XIN	A.I	--	--	--
6	XOUT	A.O	--	--	--
7	VDD	VDD	--	--	--
8	VCCIN	VCC	VCC	--	--
9	GND	GND	--	--	GND
10	DCDCGND	GND	--	--	GND
11	DCDCIN	A.I	--	--	--
12	DCDCOUT	A.O	--	--	--
13	RSTN	D.I	Normal	--	Reset
14	(FLASH_RESET)	D.O	--	--	Normal
15	(FLASH_SO)	D.O	--	--	Normal
16	(FLASH_SI)	D.O	High	--	Low
17	(FLASH_CS)	D.O	--	--	Normal
18	BL LED	D.O	Off	--	On
19	SERIAL DI	D.I	High	--	Low
20	TX OUT	D.O	High	--	Low
21	PA_CONT	D.O	High	--	Low
22	SYN_LE2	D.O	On	--	Off
23	CON_EN	D.O	High	--	Low
24	RF_RESET	D.O	Normal	--	Reset
25	NC	D.O	--	--	Normal
26	SHCTRL	D.O	On	--	Off
27	HEADSET_DET	D.I	Headset In	--	Non
28	GND	GND	--	--	GND
29	VCC	VCC	VCC	--	--
30	SERIAL_LE	D.O	High	--	Low
31	SERIAL_CLK	D.O	High	--	Low
32	SERIAL DATA	D.I	High	--	Low
33	RXEN	D.O	Active	--	Off
34	TXEN	D.O	Active	--	Off
35	RXGAIN	D.O	High	--	Low
36	RXI	D.I	--	--	--
37	NC	D.O	--	--	Normal
38	CHARGE_DET	D.I	Off Charge	--	On Charge
39	NC	D.O	--	--	Normal
40	NC	D.O	--	--	Normal
41	NC	D.O	--	--	Normal
42	NC	D.O	--	--	Normal
43	NC	D.O	--	--	Normal
44	DOT_LCD_D4	D.O	High	--	Low
45	DOT_LCD_D5	D.O	High	--	Low
46	DOT_LCD_D6	D.O	High	--	Low
47	DOT_LCD_D7	D.O	High	--	Low
48	GND	GND	--	--	GND
49	VCC	VCC	VCC	--	--
50	DOT_LCD_RESET	D.O	Normal	--	Reset
51	(FLASH_SCK)	D.O	High	--	Low
52	NC(INT0)	D.O	--	--	Normal
53	NC	D.O	--	--	Normal
54	NC	D.O	--	--	Normal
55	NC	D.O	--	--	Normal
56	DOT_LCD_RS	D.O	Data	--	Instruct
57	DOT_LCD_RW_WR	D.O	Read	--	Write
58	DOT_LCD_E_RD	D.O	Active	--	Not
59	DOT_LCD_POWER_SW	D.O	On	--	Off
60	ANT_LED1	D.O	Off	--	On

PIN	Description	I/O	High	High_Z	Low
61	ANT_LED2	D.O	Off	--	On
62	ANT_LED3	D.O	Off	--	On
63	KEYSTROBE_E	D.O	--	Not	Active
64	KEYSTROBE_D	D.O	--	Not	Active
65	KEYSTROBE_C	D.O	--	Not	Active
66	KEYSTROBE_B	D.O	--	Not	Active
67	KEYSTROBE_A	D.O	--	Not	Active
68	GND	GND	--	--	GND
69	VCC	VCC	VCC	--	--
70	TEST_CLK	D.I	--	--	--
71	TEST_MODE_SELECT	D.I	--	--	--
72	TEST_DATA_IN	D.I	--	--	--
73	TEST_DATA_OUT	D.O	--	--	--
74	KEYIN1	D.I	Non	--	Key In
75	KEYIN2	D.I	Non	--	Key In
76	KEYIN3	D.I	Non	--	Key In
77	KEYIN4	D.I	Non	--	Key In
78	KEYIN5	D.I	Non	--	Key In
79	NC(INT1)	D.O	--	--	Normal
80	CHARGE_CNT	D.O	Trickle	--	Normal
81	EEPROM_CLK	D.O	High	--	Low
82	EEPROM_DATA	D.I.O	High	--	Low
83	UART_TX	D.O	High	--	Low
84	UART_RX	D.I	High	--	Low
85	EEPROM_WP	D.O	WP	--	Write
86	GND	GND	--	--	GND
87	PDN	A.I	--	--	--
88	Battlow	A.I	--	--	--
89	VREF	A.O	--	--	--
90	MIP	A.I	--	--	--
91	MIN	A.I	--	--	--
92	DCIN2	A.I	--	--	--
93	GND	GND	--	--	GND
94	VCCA	VCC	VCC	--	--
95	Headset_MIC_in	A.I	--	--	--
96	DCIN0	A.I	--	--	--
97	LOUT0	A.O	--	--	--
98	HSSPOUT	A.O	--	--	--
99	VCCPA	VCC	VCC	--	--
100	SPOUTN	A.O	--	--	--

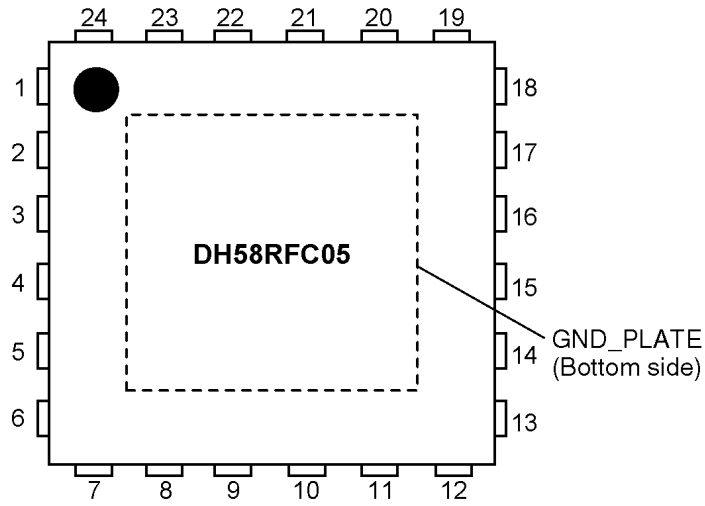
# 22 EXPLANATION OF IC TERMINALS (RF PART)

## 22.1. IC701



Pin	Description	I/O	Pin	Description	I/O
1	TX	O & VCC	18	VCC_DIG	VCC
2	GND_TX	GND	19	VCC_PLL1A	VCC
3	GND_RX	GND	20	VCC_PLL1B	VCC
4	RX	I	21	TXEN	I
5	VCC_RF	VCC	22	RXEN	I
6	VCC_IF2	VCC	23	VCC_PLL2B	VCC
7	TESTP	O	24	VCC_PLL2A	VCC
8	TESTN	O	25	RXGAIN	I
9	VCC_IF	VCC	26	PA_RAMP	I
10	XOUT	XI/XO	27	TXMOD	I
11	XIN	XI/XO	28	SYN_CLK	I
12	VCC_BIAS	VCC	29	SYN_EN	I
13	REXT	I	30	SYN_DATA	I
14	RSSI	O	31	SYN_OUT	O
15	RSTN	I	32	VCC_PA	VCC
16	RXDATA	O		GND_PLATE	GND
17	TC_CTRL	I			

## 22.2. IC801

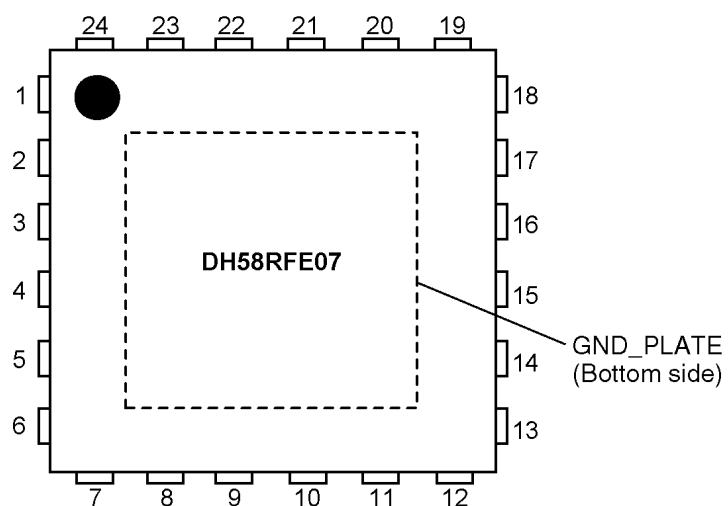


Pin	Description	I/O
1	VCC_PA2	VCC
2	TX	O
3	GND_ISOL1	GND
4	GND_ISOL2	GND
5	RX	I
6	VCC_LNA	VCC
7	REFIN	I
8	REFOUT	O
9	RXGAIN	I
10	CP_OUT	O
11	TV_IN	I
12	VARGND	GND

Pin	Description	I/O
13	PLL_BYP	O
14	VCC_PLL	VCC
15	2G4_OUT	O
16	GND_ISOL3	GND
17	2G4_IN	I
18	VCCTXRX	VCC
19	SYN_CLK	I
20	SYN_EN	I
21	SYN_DATA	I
22	RXEN	I
23	TXEN	I
24	VCC_PA1	VCC
	GND_PLATE	GND

Backside Terminal: GND

## 22.3. IC851



Pin	Description	I/O
1	GND_ISO	GND
2	ANT1	I/O
3 & 4	GND_ISO	GND
5	ANT2	I/O
6	GND_ISO	GND
7	VDD_LNA1	VDD
8	GND_LNA1	GND
9	VDD_LNA2	VDD
10	GND_LNA2	GND
11	NC	-
12	LNA_OUT	O

Pin	Description	I/O
13	LNA_GAIN	I
14	LNA_EN	I
15	ANTSEL_B	I
16	ANTSEL_A	I
17	PA_EN	I
18	PA_IN	I
19	VDD_PA	VDD
20	GND_ISO	GND
21	PA_OUT	VDD/O
22 & 23	GND_ISO	GND
24	TRSW_IN	I
GND_PLATE		GND

Backside Terminal: GND

## 23 HOW TO REPLACE THE FLAT PACKAGE IC

Even if you do not have the special tools (for example, a spot heater) to remove the Flat IC, with some solder (large amount), a soldering iron and a cutter knife, you can easily remove the ICs that have more than 100 pins.

### 23.1. PREPARATION

- PbF (: Pb free) Solder
- Soldering Iron

Tip Temperature of 700°F ± 20°F (370°C ± 10°C)

**Note:** We recommend a 30 to 40 Watt soldering iron. An expert may be able to use a 60 to 80 Watt iron where someone with less experience could overheat and damage the PCB foil.

- Flux

Recommended Flux: Specific Gravity → 0.82.

Type → RMA (lower residue, non-cleaning type)

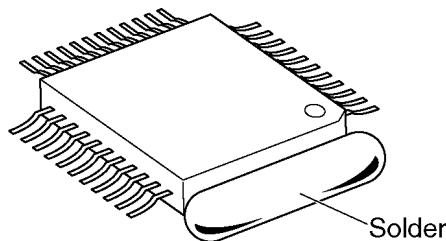
**Note:** See **ABOUT LEAD FREE SOLDER (PbF: Pb free)** (P.4)

### 23.2. FLAT PACKAGE IC REMOVAL PROCEDURE

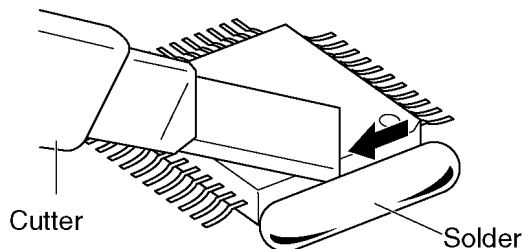
1. Put plenty of solder on the IC pins so that the pins can be completely covered.

**Note:**

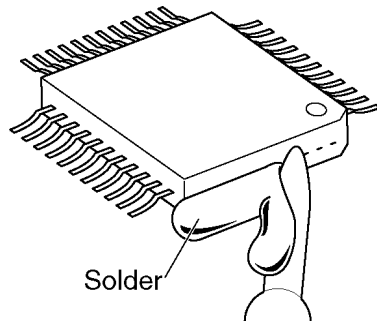
If the IC pins are not soldered enough, you may give pressure to the P.C. board when cutting the pins with a cutter.



2. Make a few cuts into the joint (between the IC and its pins) first and then cut off the pins thoroughly.



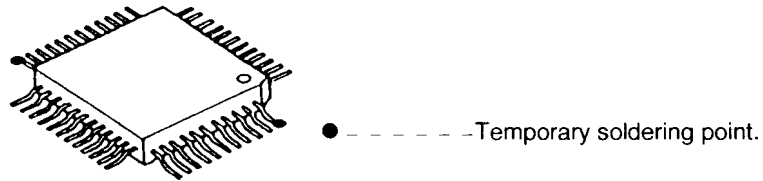
3. While the solder melts, remove it together with the IC pins.



When you attach a new IC to the board, remove all solder left on the land with some tools like a soldering wire. If some solder is left at the joint on the board, the new IC will not be attached properly.

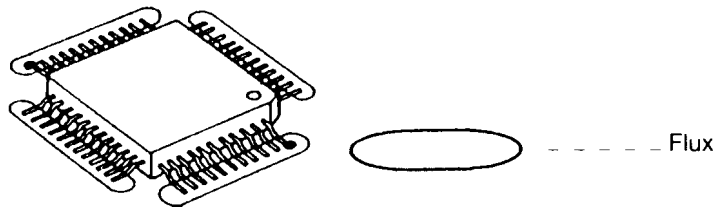
### 23.3. FLAT PACKAGE IC INSTALLATION PROCEDURE

1. Temporarily fix the FLAT PACKAGE IC, soldering the two marked pins.

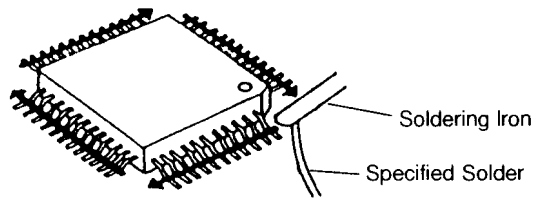


\*Check the accuracy of the IC setting with the corresponding soldering foil.

2. Apply flux to all pins of the FLAT PACKAGE IC.

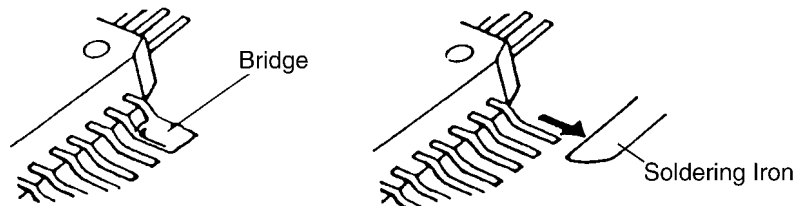


3. Solder the pins, sliding the soldering iron in the direction of the arrow.

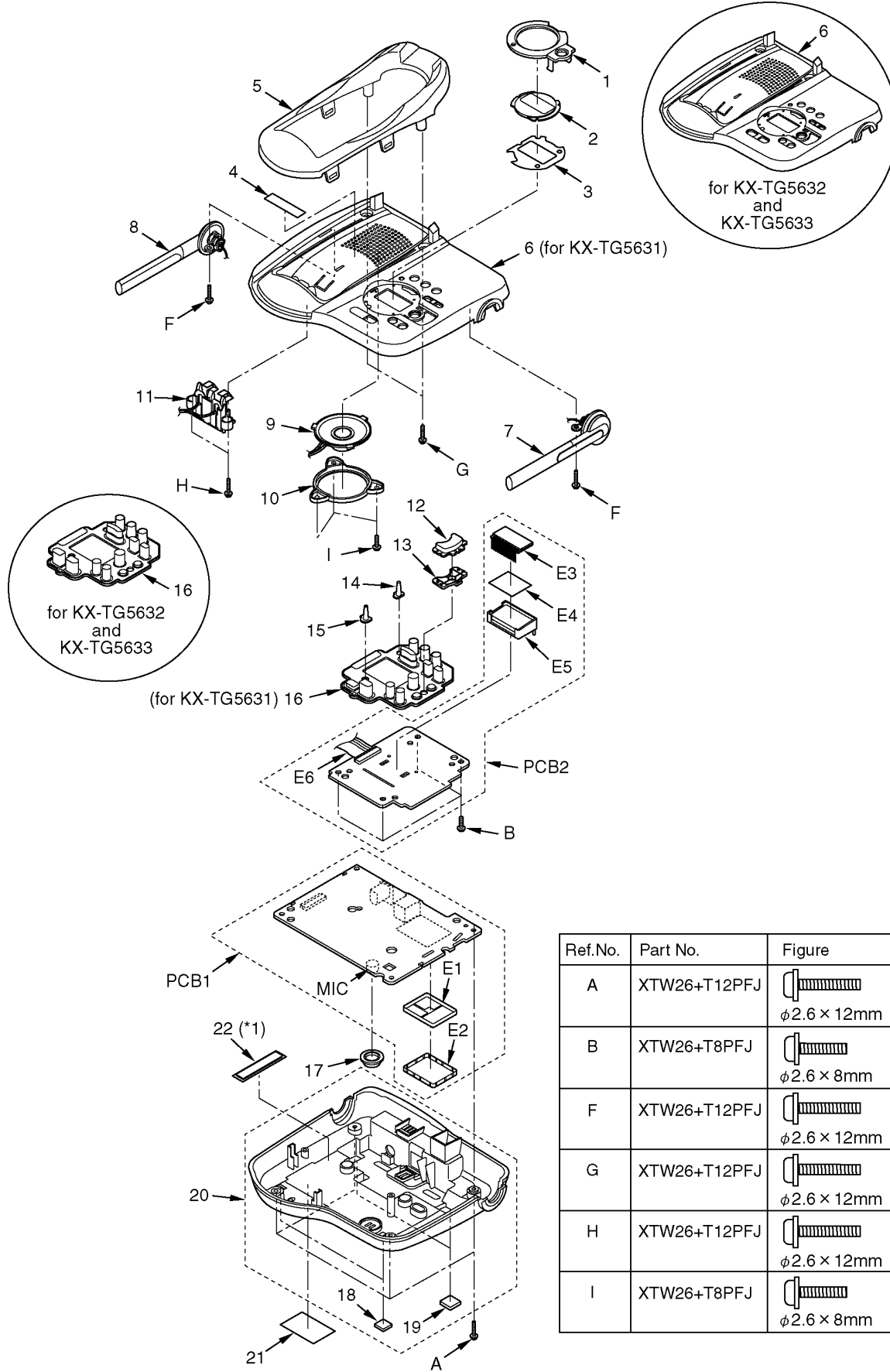


### 23.4. BRIDGE MODIFICATION PROCEDURE

1. Lightly resolder the bridged portion.
2. Remove the remaining solder along the pins using a soldering iron as shown in the figure below.



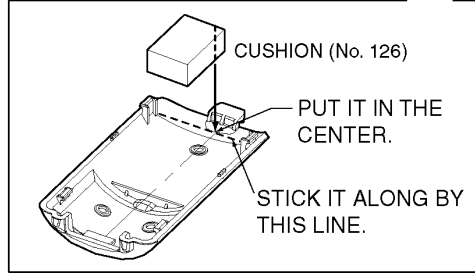
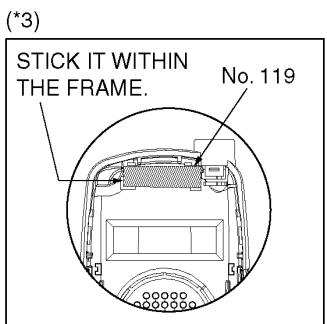
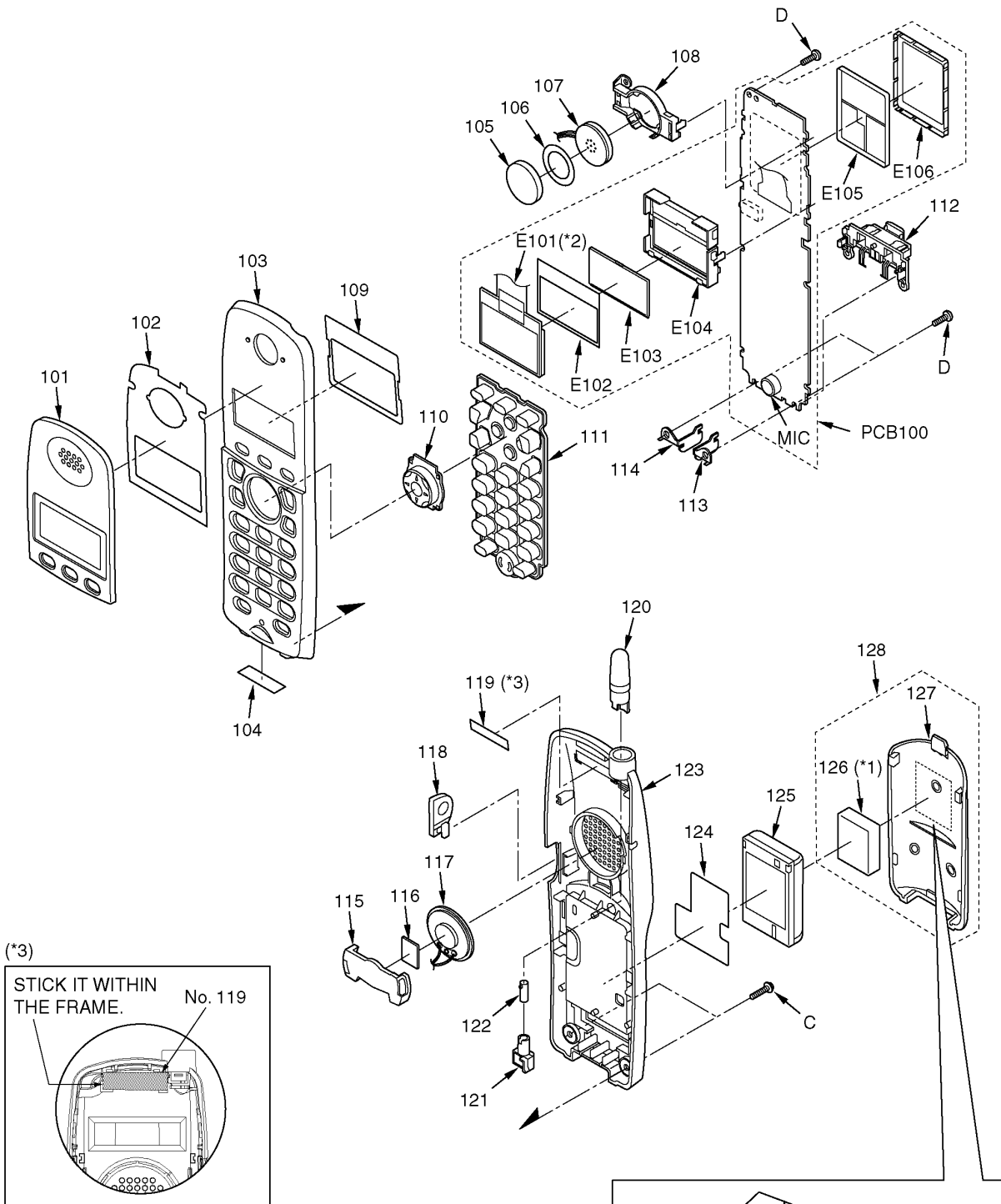
# 24 CABINET AND ELECTRICAL PARTS (BASE UNIT)

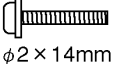
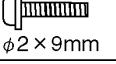


**Note:**

(\*1) for KX-TG5631

# 25 CABINET AND ELECTRICAL PARTS (HANDSET)

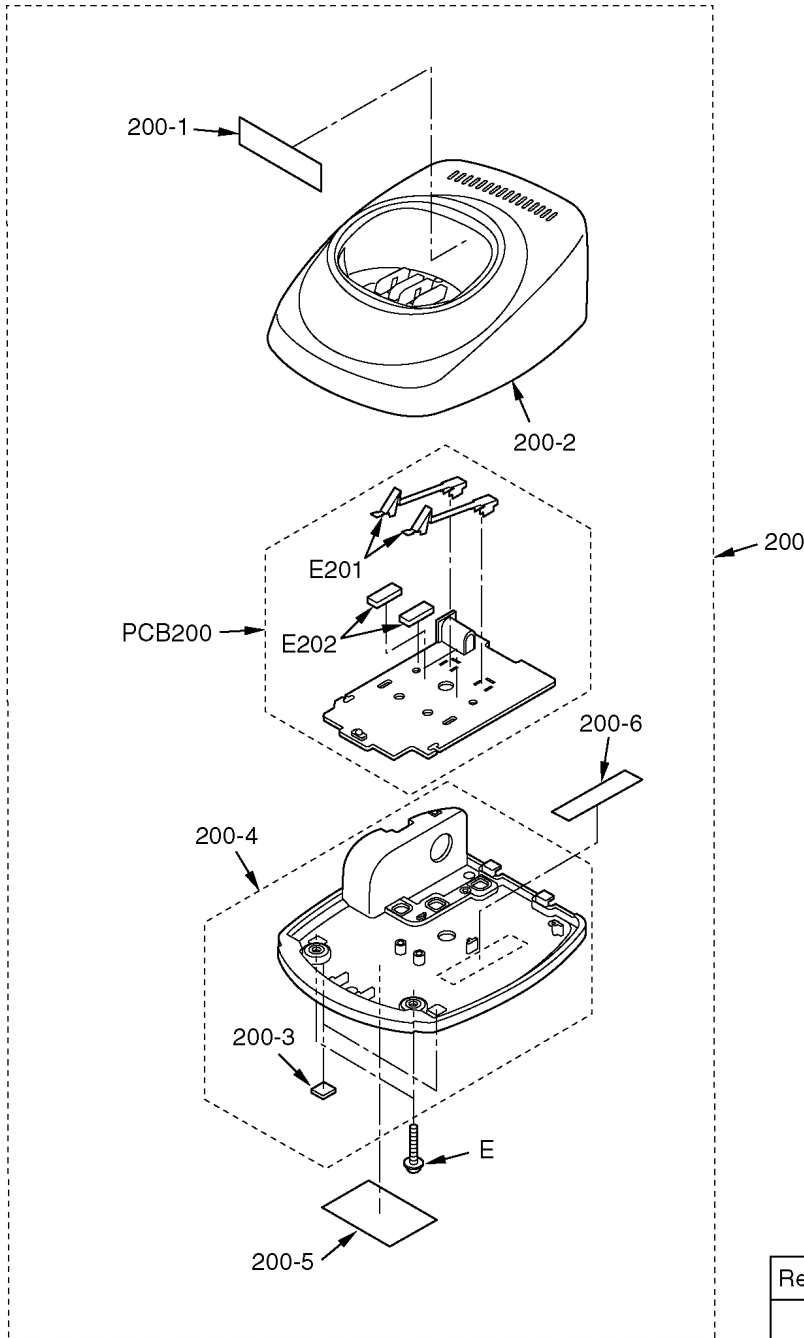



Ref.No.	Part No.	Figure
C	XTW2+R14PFJ	 φ2 × 14mm
D	XTW2+R9PFJ	 φ2 × 9mm

**Note:**

- (\*1) Attach the cushion (No. 126) to the exact location described above.
- (\*2) This cable is fixed by welding. Refer to **HOW TO REPLACE THE HANDSET LCD (P.24)**.
- (\*3) Stick the magnetic shield (No. 119) to the exact location described above.

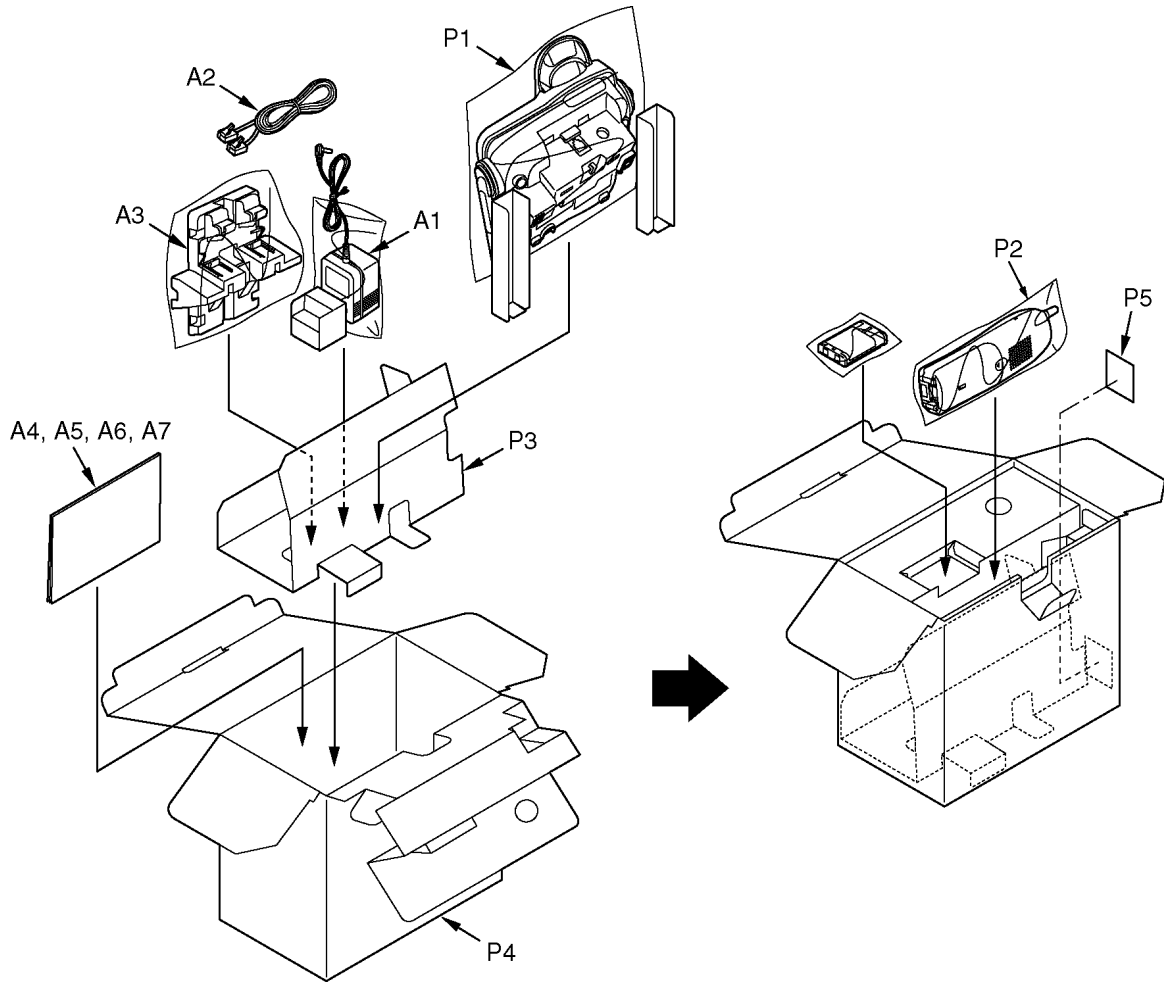
# 26 CABINET AND ELECTRICAL PARTS (CHARGER UNIT)



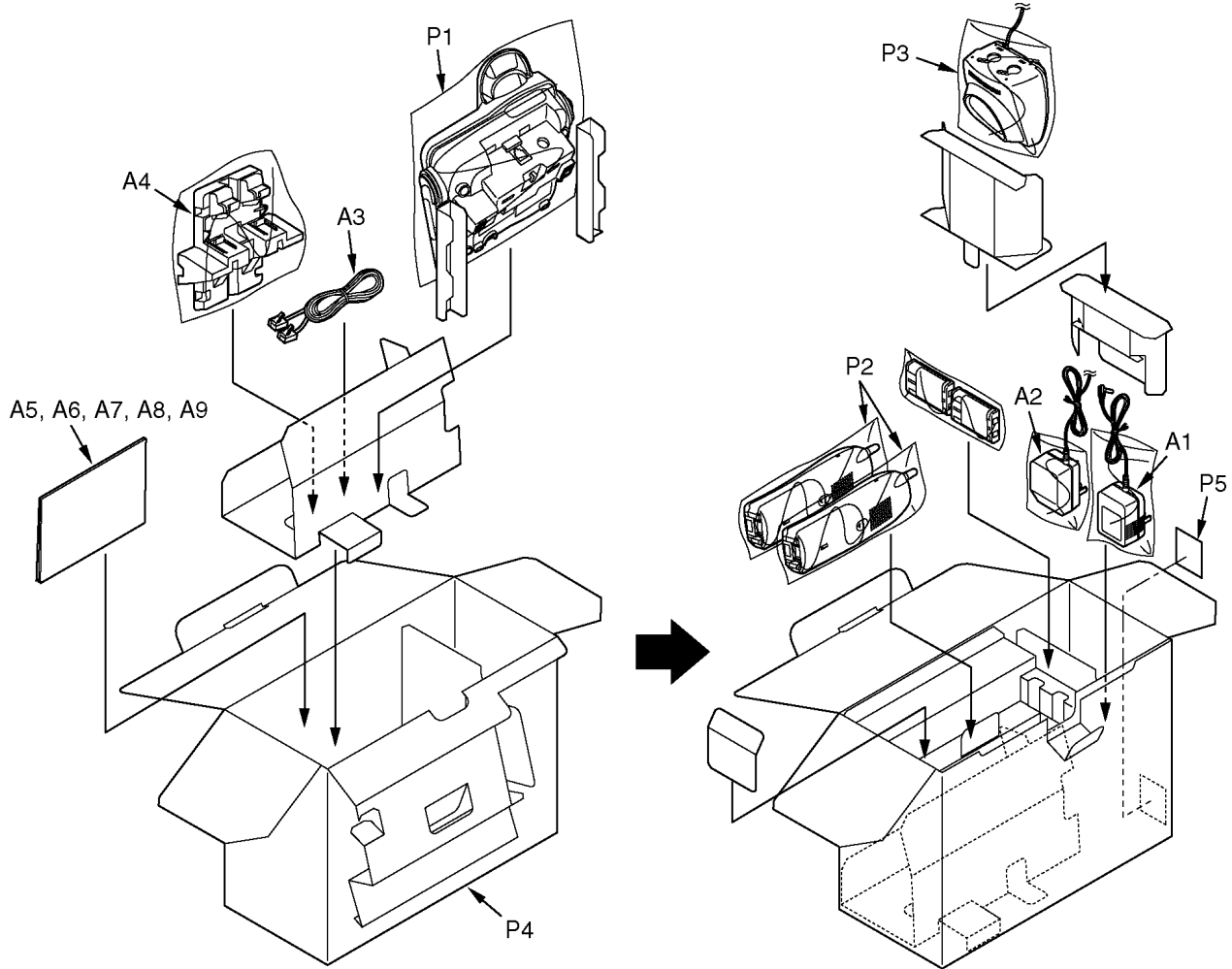
Ref.No.	Part No.	Figure
E	PQHV2612PJ65	 φ2.6 × 12mm

# 27 ACCESSORIES AND PACKING MATERIALS

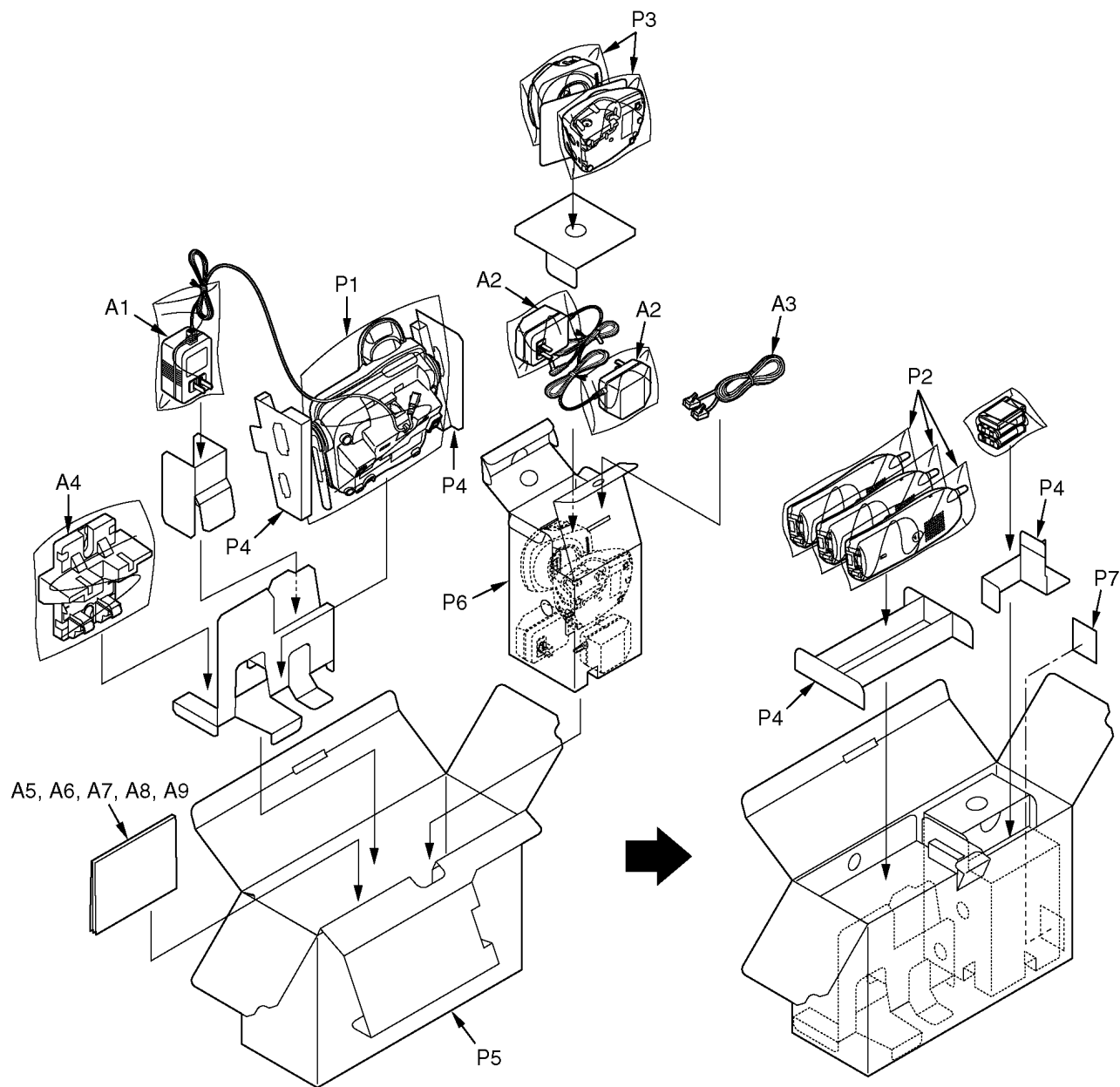
## 27.1. KX-TG5631S



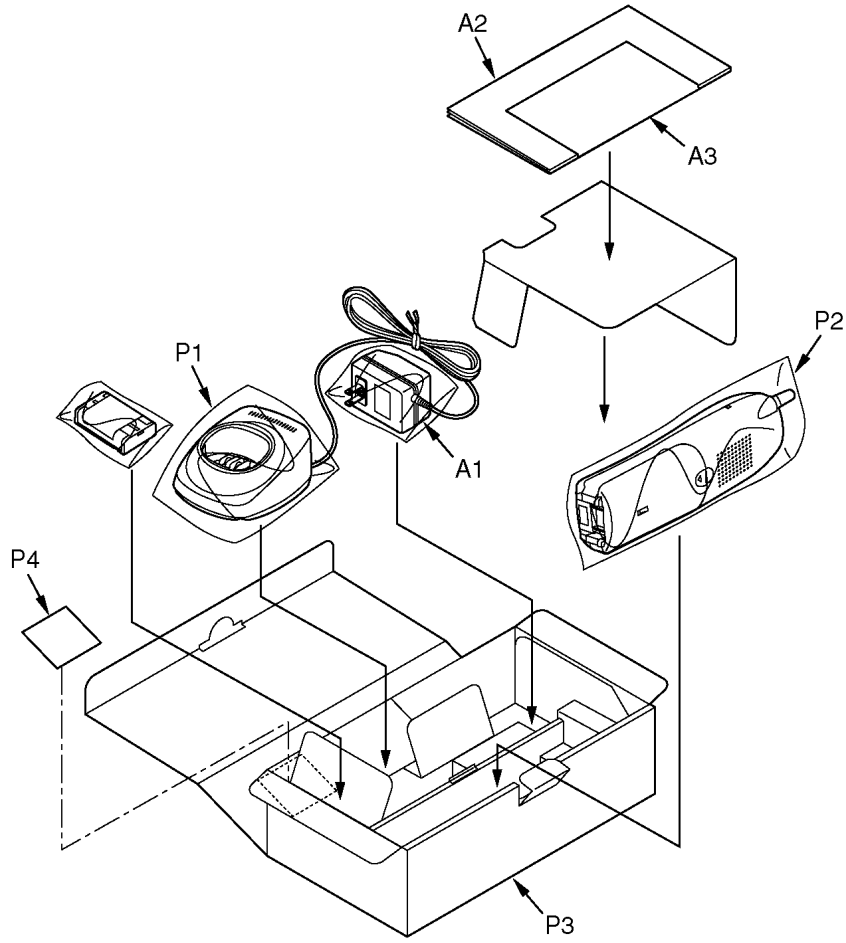
## 27.2. KX-TG5632M



### 27.3. KX-TG5633B

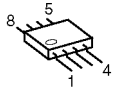
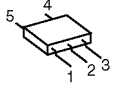
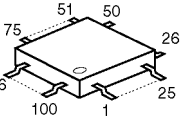
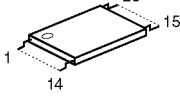
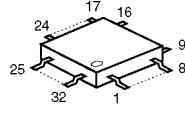
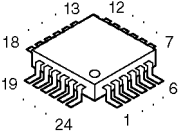
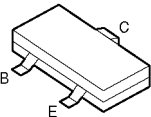
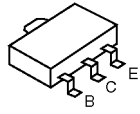
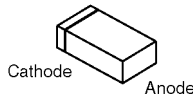
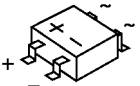

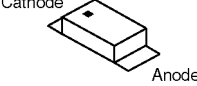


## 27.4. KX-TGA560M/B

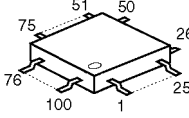
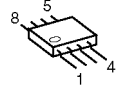
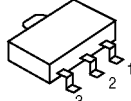
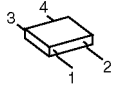
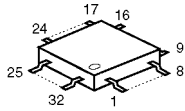
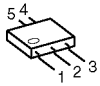
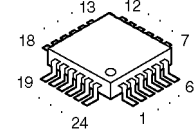
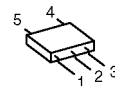
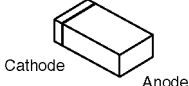
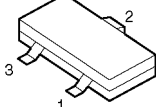
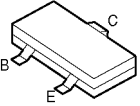
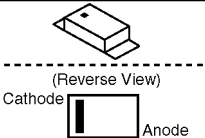
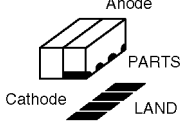


# 28 TERMINAL GUIDE OF THE ICs, TRANSISTORS AND DIODES

## 28.1. Base Unit

 <p>C0DBFGD00017</p>	 <p>C0CBAGZ00023 C0CBAAC00083 C0CBABE00029</p>	 <p>C2HBBY000024</p>	 <p>PQWITG5631SH PQWITG5632MH</p>	 <p>C1CB00001657</p>
 <p>C1CB00001682 C1CB00002281</p>	 <p>B1CHND000004, 2SD1819A, 2SB1218A</p>	 <p>B1ADGP000008 2SD0874AS B1BBAP000021</p>	 <p>MA111, MA8220 B0JCME000035 B0ECKM000008</p>	
 <p>MAZ805100L PQVDMD5S</p>	 <p>PQVDRLZ20A</p>	 <p>PQVDSML210L</p>		

## 28.2. Handset

 <p>C2HBBY000029</p>	 <p>PQWITG5621SR</p>	 <p>C0CBABD00019 C0CBABD00011</p>	 <p>C0EBF0000179</p>	 <p>C1CB00001657</p>
 <p>C0CBAAC00083 C0CBABE00029</p>	 <p>C1CB00001682 C1CB00002281</p>	 <p>B1GHCFEM0001</p>	 <p>MA111 MA8047 MA2ZD0200L</p>	 <p>MA132WK</p>
 <p>UN521, PQVTDTC143E, 2SD1819A, PQVTDTC144TU, 2SB1197KQ PQVTDTC114TU</p>	 <p>(Reverse View) Cathode Anode</p> <p>B3ACB0000115</p>	 <p>Anode Cathode PARTS LAND</p> <p>B3AZB0000032</p>		

# 29 REPLACEMENT PARTS LIST

**Note:**

**1. RTL (Retention Time Limited)**

The marking (RTL) indicates that the Retention Time is limited for this item.

After the discontinuation of this assembly in production, the item will continue to be available for a specific period of time. The retention period of availability depends on the type of assembly and the laws governing parts and product retention.

At the end of this period, the assembly will no longer be available.

**2. Important safety notice**

Components identified by the  $\Delta$  mark indicates special characteristics important for safety. When replacing any of these components, only use specified manufacture's parts.

**3. The S mark means the part is one of some identical parts.**  
For that reason, it may be different from the installed part.

**4. ISO code (Example: ABS-94HB) of the remarks column shows quality of the material and a flame resisting grade about plastics.**

**5. RESISTORS & CAPACITORS**

Unless otherwise specified;

All resistors are in ohms ( $\Omega$ ) K=1000 $\Omega$ , M=1000k $\Omega$

All capacitors are in MICRO FARADS ( $\mu$ F) P= $\mu$  $\mu$ F

\*Type & Wattage of Resistor

Type

ERC:Solid	ERX:Metal Film	PQ4R:Chip
ERDS:Carbon	ERG:Metal Oxide	ERS:Fusible Resistor
ERJ:Chip	ER0:Metal Film	ERF:Cement Resistor

Wattage

10,16:1/8W	14,25:1/4W	12:1/2W	1:1W	2:2W	3:3W
------------	------------	---------	------	------	------

\*Type & Voltage Of Capacitor

Type

ECFD:Semi-Conductor	ECQD:Styrol	ECCE,ECKD,ECBT,F1K,ECUV: Ceramic
ECQS:Styrol	ECUV,PQCUV, ECUE:Chip	ECQE,ECQV,ECQG: Polyester
ECQMS:Mica	ECQMS:Mica	ECEA,ECST,EEE: Electlytic
		ECQP: Polypropylene

Voltage

ECQ Type	ECQG ECQV Type	ECSZ Type	Others		
1H:50V	05:50V	0F:3.15V	0J :6.3V	1V :35V	
2A:100V	1:100V	1A:10V	1A :10V	50,1H:50V	
2E:250V	2:200V	1V:35V	1C :16V	1J :16V	
2H:500V		0J:6.3V	1E,25:25V	2A :100V	

## 29.1. Base Unit

### 29.1.1. Cabinet and Electrical Parts

Ref. No.	Part No.	Part Name & Description	Remarks
1	PQGG10279X1	GRILLE, LCD (for KX-TG5631S)	ABS-HB
1	PQGG10279X2	GRILLE, LCD (for KX-TG5632M)	ABS-HB
1	PQGG10279X3	GRILLE, LCD (for KX-TG5633B)	ABS-HB
2	PQGP10273Y5	PANEL, LCD (for KX-TG5631S)	AS-HB
2	PQGP10273Y6	PANEL, LCD (for KX-TG5632M)	AS-HB
2	PQGP10273Y7	PANEL, LCD (for KX-TG5633B)	AS-HB
3	PQHS10659Z	TAPE, DOUBLE SIDED (LCD PANEL)	
4	PQQT23139Z	LABEL, CHARGE	

Ref. No.	Part No.	Part Name & Description	Remarks
5	PQGG10278V5	GRILLE, CRADLE (for KX-TG5631S)	PC-HB
5	PQGG10278V2	GRILLE, CRADLE (for KX-TG5632M) (for KX-TG5633B)	PC-HB
6	PQKM10726Z1	CABINET BODY (for KX-TG5631S)	PS-HB
6	PQKM10726X2	CABINET BODY (for KX-TG5632M)	PS-HB
6	PQKM10726V5	CABINET BODY (for KX-TG5633B)	PS-HB
7	PQSA10157V	ANTENNA (R) (for KX-TG5631S)	
7	PQSA10157U	ANTENNA (R) (for KX-TG5632M) (for KX-TG5633B)	
8	PQSA10158V	ANTENNA (L) (for KX-TG5631S)	
8	PQSA10158U	ANTENNA (L) (for KX-TG5632M) (for KX-TG5633B)	
9	L0AA04A00028	SPEAKER	
10	PQHR11082Z	GUIDE, SP HOLDER	POM-HB
11	PQWE10037Z	BATTERY TERMINAL	PS-HB
12	PQBC10423Z4	BUTTON, MESSAGE (for KX-TG5631S) (for KX-TG5632M)	AS-HB
12	PQBC10423Z5	BUTTON, MESSAGE (for KX-TG5633B)	AS-HB
13	PQHR11094Z	GUIDE, MESSAGE BUTTON	ABS-HB
14	PQHR11095Z	OPTIC CONDUCTIVE PARTS, LED LENS (ANSWER ON)	PS-HB
15	PQHR11096Z	OPTIC CONDUCTIVE PARTS, LED LENS (CHARGE)	PS-HB
16	PQSX10283T	KEYBOARD SWITCH (for KX-TG5631S)	
16	PQSX10283S	KEYBOARD SWITCH (for KX-TG5632M)	
16	PQSX10283Q	KEYBOARD SWITCH (for KX-TG5633B)	
17	PQMG10025Z	RUBBER PARTS, MIC	
18	PQHA10023Z	RUBBER PARTS, FOOT CUSHION	
19	PQHA10017Z	RUBBER PARTS, LEG CUSHION	
20	PQYF10603Z1	CABINET COVER (for KX-TG5631S)	PS-HB
20	PQYF10603Z4	CABINET COVER (for KX-TG5632M) (for KX-TG5633B)	PS-HB
21	PQGT18455Z	NAME PLATE (for KX-TG5631S)	
21	PQGT18460Z	NAME PLATE (for KX-TG5632M)	
21	PQGT18463Z	NAME PLATE (for KX-TG5633B)	
22	PQXDZLDRS1	LABEL, SECURITY TAG (for KX-TG5631S)	

### 29.1.2. Main P.C. Board Parts

**Note:**

(\*1) When you have replaced IC501 or IC601, adjust X501.

Refer to **Check and Adjust X501 (Base Unit) Frequency (P.46).**

Ref. No.	Part No.	Part Name & Description	Remarks
PCB1	PQWP1TG5631H	MAIN P.C.BOARD ASS'Y (RTL) (for KX-TG5631S)	
PCB1	PQWP1TG5632H	MAIN P.C.BOARD ASS'Y (RTL) (for KX-TG5632M) (for KX-TG5633B)	
		(ICs)	
IC300	C0DBAGZ00023	IC	S
IC331	C0DBFGD00017	IC	
IC501	C2HBBY000024	IC (*1)	
IC601	PQWITG5631SH	IC (for KX-TG5631S) (*1)	
IC601	PQWITG5632MH	IC (for KX-TG5632M) (for KX-TG5633B) (*1)	
IC701	C1CB00001657	IC	
IC761	C0CBAAAC00083	IC	
IC801	C1CB00001682	IC	
IC841	C0CBABE00029	IC	
IC851	C1CB00002281	IC	
		(TRANSISTORS)	
Q111	2SD1819A	TRANSISTOR(SI)	
Q141	B1ADGP000008	TRANSISTOR(SI)	

Ref. No.	Part No.	Part Name & Description	Remarks
Q142	B1BBAP000021	TRANSISTOR(SI)	
Q161	2SD0874AS	TRANSISTOR(SI)	
Q171	2SD1819A	TRANSISTOR(SI)	
Q300	B1CHND000004	TRANSISTOR(SI)	
Q340	2SD1819A	TRANSISTOR(SI)	
Q361	2SB1218A	TRANSISTOR(SI)	
Q362	2SD1819A	TRANSISTOR(SI)	
Q535	2SD1819A	TRANSISTOR(SI)	
		(DIODES)	
D101	PQVDM5S	DIODE(SI)	
D113	MA111	DIODE(SI)	S
D133	MA111	DIODE(SI)	S
D142	PQVDRLZ20A	DIODE(SI)	S
D300	B0JCME000035	DIODE(SI)	
D301	B0JCME000035	DIODE(SI)	
D361	MA8220	DIODE(SI)	S
D362	B0ECKM000008	DIODE(SI)	
D472	MAZ805100L	DIODE(SI)	
D473	MAZ805100L	DIODE(SI)	
		(COILS)	
L101	PQLQXF330K	COIL	S
L102	PQLQXF330K	COIL	S
L300	G1C220M00037	COIL	S
L361	G1C6R8MA0072	COIL	
L472	G1C6R8MA0072	COIL	
L473	G1C6R8MA0072	COIL	
L501	PQLQR2KA213	COIL	S
L711	MQLRF18NJFB	COIL	
L782	G1C1ROKA0096	COIL	
L871	MQLRF3N3DFB	COIL	
C723	MQLRF2N7DFB	COIL	
		(JACKS AND CONNECTOR)	
CN101	K2LB102B0053	JACK	
CN301	PQJJ1B4Y	JACK	S
CN661	K1MY32BA0026	CONNECTOR	
		(LCR FILTERS)	
FL811	J0E5797B0001	LCR FILTER	
FL821	KNCFH165R8Z1	LCR FILTER	
FL881	J0E5797B0002	LCR FILTER	
FL891	J0E5797B0002	LCR FILTER	
		(COMPONENTS PARTS)	
RA500	D1H810440003	RESISTOR ARRAY	
RA501	D1H84724A013	RESISTOR ARRAY	S
		(VARISTORS)	
SA101	J0LE00000047	VARISTOR (SURGE ABSORBER)	
SA104	J0LE00000047	VARISTOR (SURGE ABSORBER)	
		(RESISTORS)	
R111	ERJ3GEYJ104	100K	
R112	ERJ3GEYJ104	100K	
R113	ERJ3GEYJ103	10K	
R114	ERJ3GEYJ473	47K	
R121	ERJ3GEYJ394	390K	
R122	ERJ3GEYJ394	390K	
R131	ERJ3GEYJ106	10M	
R133	ERJ3GEYJ105	1M	
R134	ERJ3GEYJ102	1K	
R141	ERJ3GEYJ104	100K	
R142	ERJ3GEYJ103	10K	
R143	ERJ3GEYJ103	10K	
R145	ERJ2GEJ103	10K	
R151	ERJ3GEYJ106	10M	
R152	ERJ3GEYJ395	3.9M	
R154	ERJ3GEYJ102	1K	
R160	ERJ3GEYJ751	750	
R162	ERJ3GEYJ393	39K	
R163	ERJ12YJ330	33	
R164	ERJ3GEYJ470	47	
R165	ERJ3GEYJ561	560	
R167	ERJ2GEJ102	1K	
R168	ERJ3GEY0R00	0	
R171	ERJ2GEJ220	22	
R172	ERJ2GEJ104	100K	
R175	ERJ3GEYJ561	560	

Ref. No.	Part No.	Part Name & Description	Remarks
R176	ERJ2GEJ101	100	
R178	ERJ2GEJ102	1K	
R183	ERJ2GEJ222	2.2K	
R185	ERJ3GEYJ333	33K	
R303	ERJ3GEYJ221	220	
R304	ERJ3GEYJ221	220	
R308	ERJ3GEYJ121	120	
R340	ERJ3GEYJ123	12K	
R341	ERJ3GEYJ102	1K	
R342	ERJ3GEYJ473	47K	
R361	ERJ3GEYJ332	3.3K	
R362	ERJ3GEYJ473	47K	
R364	ERJ3GEYJ103	10K	
R365	ERJ3GEYJ102	1K	
R371	ERJ1TYJ680	68	
R372	ERJ1TYJ680	68	
R373	ERJ1TYJ680	68	
R421	ERJ2GEJ473	47K	
R422	ERJ2GEJ102	1K	
R423	ERJ2GEJ102	1K	
R453	ERJ2GEJ222	2.2K	
R454	ERJ2GEJ222	2.2K	
R459	ERJ2GEJ272	2.7K	
R460	ERJ2GEJ272	2.7K	
R472	ERJ2GEJ1R0	1	
R473	ERJ2GEJ1R0	1	
R517	ERJ2GEJ100	10	
R533	ERJ2GEJ472X	4.7K	
R535	ERJ2GEJ102	1K	
R536	ERJ2GEJ222	2.2K	
R537	ERJ3GEYJ102	1K	
R538	ERJ2GEJ472X	4.7K	
R673	ERJ2GEJ821	820	
R675	ERJ2GEJ821	820	
R679	ERJ2GEJ821	820	
R701	ERJ2RKF103X	10K	
R732	ERJ2GEJ100	10	
R733	ERJ2GEJ100	10	
R735	ERJ2GEJ4R7	4.7	
R742	ERJ2GEJ331	330	
R744	ERJ2GEJ102	1K	
R747	ERJ2GEJ102	1K	
R751	ERJ2GEJ102	1K	
R752	ERJ2GEJ102	1K	
R809	ERJ2GEJ561	560	
R813	ERJ2GE0R00	0	
R822	ERJ2GEJ271	270	
R823	ERJ2GEJ180	18	
R824	ERJ2GEJ271	270	
R832	ERJ2GEJ562X	5.6K	
R834	ERJ2GEJ332	3.3K	
R865	ERJ2GEJ271	270	
		(CAPACITORS)	
C101	FLK2J681A006	680P	
C102	FLK2J681A006	680P	
C111	FLJ2A473A024	0.047	
C112	FLJ2A473A024	0.047	
C113	PQCUV1A684KB	0.68	
C120	ECUV1H102KBV	0.001	
C121	ECUV1H681JCV	680P	S
C122	ECUV1H681JCV	680P	S
C132	ECUV1H103KBV	0.01	
C142	ECUV1H103KBV	0.01	
C152	ECUV1H103KBV	0.01	
C161	EEE1EA100WR	10	
C162	ECUV1H101JCV	100P	
C163	ECUV1H472KBV	0.0047	
C165	ECUV1C473KBV	0.047	
C166	EEE1CA100SR	10	
C167	ECUV1A224KBV	0.22	
C172	FLG1H272A571	0.0027	
C176	EEE0JA220SR	22	
C178	ECUE1A333KBQ	0.033	

Ref. No.	Part No.	Part Name & Description	Remarks
C184	ECJ0EB1A473K	0.047	
C185	ECJ0EB1C183K	0.018	
C300	EEEFK1C470P	47	
C303	ECUV1H103KBV	0.01	
C304	ECUV1A105KBV	1	
C305	ECUV1H103KBV	0.01	
C306	F2G1E1010011	100	S
C308	ECUV1E104KBV	0.1	
C331	ECUV1C474KBV	0.47	
C332	ECUV1A105KBV	1	
C341	EEE0JA331P	330	
C342	ECUV1A105KBV	1	
C347	ECJ0EB1A104K	0.1	
C352	ECUV1C104KBV	0.1	
C361	ECJ0EB1H102K	0.001	
C381	ECUV1A105KBV	1	
C382	FK0J1060020	10	
C422	ECJ0EB1A104K	0.1	
C457	FLG1C123A081	0.012	
C458	FLG1C123A081	0.012	
C459	ECJ0EB1C103K	0.01	
C501	ECUV1C104KBV	0.1	
C503	ECUV1C104KBV	0.1	
C504	ECUV1C104KBV	0.1	
C508	ECJ0EC1H060C	6P	
C509	ECJ0EC1H060C	6P	
C513	ECUV1C104KBV	0.1	
C515	ECUV1A105KBV	1	
C516	ECSTOJY106	10	S
C517	ECUV1C104KBV	0.1	
C518	ECUV1A106ZF	10	S
C521	ECJ0EB1A104K	0.1	
C531	ECUV1C104KBV	0.1	
C538	ECJ0EB1A104K	0.1	
C601	ECJ0EB1A104K	0.1	
C660	ECUV1C104KBV	0.1	
C663	ECJ0EB1H102K	0.001	
C664	ECJ0EB1H102K	0.001	
C665	ECJ0EB1H102K	0.001	
C666	ECJ0EB1H102K	0.001	
C667	ECJ0EB1H102K	0.001	
C668	ECJ0EB1H102K	0.001	
C669	ECJ0EB1H102K	0.001	
C670	ECJ0EB1H102K	0.001	
C671	ECJ0EB1H102K	0.001	
C672	ECJ0EB1H102K	0.001	
C684	ECJ0EB1H331K	330P	
C685	ECJ0EB1H331K	330P	
C686	ECJ0EB1H331K	330P	
C687	ECJ0EB1H331K	330P	
C688	ECJ0EB1H331K	330P	
C689	ECJ0EB1H331K	330P	
C701	PQCVU0J475MB	4.7	
C702	ECJ0EB1A104K	0.1	
C704	ECJ0EB1H102K	0.001	
C705	ECJ0EC1H100D	10P	
C706	ECJ0EB1C103K	0.01	
C707	ECJ0EB1H102K	0.001	
C708	ECJ0EC1H1R5C	1.5P	
C711	ECJ0EC1H010C	1P	
C712	ECJ0EC1H020C	2P	
C713	ECJ0EC1H100D	10P	
C714	ECJ0EB1H102K	0.001	
C715	ECJ0EC1H050C	5P	
C716	ECJ0EC1H020C	2P	
C722	ECJ0EC1H020C	2P	
C725	ECJ0EC1H050C	5P	
C731	ECJ0EB1C103K	0.01	
C732	ECJ0EB1H102K	0.001	
C733	ECJ0EB1H102K	0.001	
C734	ECJ0EB1H102K	0.001	
C735	ECJ0EB1A104K	0.1	
C737	ECJ0EB1H102K	0.001	

Ref. No.	Part No.	Part Name & Description	Remarks
C741	ECJ0EB1H222K	0.0022	
C743	ECJ0EC1H221J	220P	
C745	ECJ0EC1H101J	100P	
C746	ECJ0EC1H101J	100P	
C747	ECJ0EC1H100D	10P	
C748	ECJ0EC1H101J	100P	
C749	ECJ0EC1H101J	100P	
C750	ECJ0EC1H101J	100P	
C751	ECJ0EC1H100D	10P	
C752	ECJ0EB1H471K	470P	
C763	ECUV1A474KBV	0.47	
C764	ECJ0EC1H020C	2P	
C773	ECJ0EC1H101J	100P	
C781	ECJ0EB1A104K	0.1	
C782	ECJ0EC1H121J	120P	
C801	ECJ0EC1H030C	3P	
C802	ECJ0EC1H220J	22P	
C803	ECJ0EB1C103K	0.01	
C804	ECJ0EC1H150J	15P	
C806	ECJ0EC1H100D	10P	
C809	ECUE1A333KBQ	0.033	S
C811	ECJ0EC1H020C	2P	
C821	ECJ0EC1H100D	10P	
C824	ECJ0EC1H100D	10P	
C832	ECJ0EC1H221J	220P	
C833	ECJ0EC1H101J	100P	
C834	ECJ0EB1C103K	0.01	
C835	ECJ0EB1H471K	470P	
C836	ECUV1A105KBV	1	
C837	ECJ0EC1H101J	100P	
C842	ECUV1A105KBV	1	
C843	ECUV1A474KBV	0.47	
C844	ECJ0EC1H020C	2P	
C856	ECJ0EC1H020C	2P	
C857	ECJ0EB0J105K	1	
C865	ECUE1A333KBQ	0.033	S
C871	F1G1HR10A561	0.1P	
C873	ECJ0EC1H020C	2P	
C874	ECJ0EB0J105K	1	
C881	ECJ0EC1H050C	5P	
C891	ECJ0EC1H050C	5P	
		(OTHERS)	
MIC	L0CBAB000052	MICROPHONE	
E1	PQMC10492Z	MAGNETIC SHIELD, FRAME	
E2	PQMC10491Z	MAGNETIC SHIELD, COVER	
P101	PFRT002	THERMISTOR (POSISTOR)	S
X501	H0J138500003	CRYSTAL OSCILLATOR	

### 29.1.3. Operational P.C. Board Parts

Ref. No.	Part No.	Part Name & Description	Remarks
PCB2	PQWP2TG5431H	OPERATIONAL P.C.BOARD ASS'Y (RTL)	
		(DIODES)	
LED901	PQVDSML210L	LED	S
LED904	PQVDSML210L	LED	S
LED907	PQVDSML210L	LED	S
		(CONNECTOR)	
CN901	K1MY32BA0026	CONNECTOR	
		(OTHERS)	
E3	L5DCBCB00016	LIQUID CRYSTAL DISPLAY	
E4	PQHS10327Z	TAPE, LCD	
E5	PQHR11022Z	GUIDE, LCD	PS-HB
E6	PQJE10142X	LEAD WIRE, FFC	

## 29.2. Handset

### 29.2.1. Cabinet and Electrical Parts

Ref. No.	Part No.	Part Name & Description	Remarks
101	PQGP10274X6	PANEL, LCD (for KX-TGA560S)	AS-HB

Ref. No.	Part No.	Part Name & Description	Remarks
101	PQGP10274X7	PANEL, LCD (for KX-TGA560M)	AS-HB
101	PQGP10274X8	PANEL, LCD (for KX-TGA560B)	AS-HB
102	PQHS10660Y	TAPE, DOUBLE SIDED (PANEL)	
103	PQKM10729Y1	CABINET BODY (for KX-TGA560S)	ABS-HB
103	PQKM10729Y4	CABINET BODY (for KX-TGA560M)	ABS-HB
103	PQKM10729Y2	CABINET BODY (for KX-TGA560B)	ABS-HB
104	PQGT18456Z	NAME PLATE (for KX-TGA560S)	
104	PQGT18461Z	NAME PLATE (for KX-TGA560M Made in Malaysia)	
104	PQGT18492Z	NAME PLATE (for KX-TGA560M Made in China)	
104	PQGT18464Z	NAME PLATE (for KX-TGA560B Made in Malaysia)	
104	PQGT18518Z	NAME PLATE (for KX-TGA560B Made in China)	
105	PQHS10658Z	SPACER, RECEIVER	
106	PQHG10720Z	RUBBER PARTS, RECEIVER	
107	LOAD02A00023	RECEIVER	
108	PQHR11105Z	GUIDE, RECEIVER	ABS-HB
109	PQHS10670Y	SPACER, CUSHION LCD	
110	PQBC10425Z2	PUSH BUTTON, NAVI KEY	ABS-HB
111	PQXS10329Z	KEYBOARD SWITCH (for KX-TGA560S)	
111	PQXS10329W	KEYBOARD SWITCH (for KX-TGA560M)	
111	PQXS10329Y	KEYBOARD SWITCH (for KX-TGA560B)	
112	PQWE10033Z	BATTERY TERMINAL	ABS-HB
113	PQJT10225Z	CHARGE TERMINAL (L)	
114	PQJT10226Z	CHARGE TERMINAL (R)	
115	PQHR10778Z	GUIDE, SP HOLDER	ABS-HB
116	PQHG10703Z	RUBBER PARTS, SPEAKER	
117	LOAD02A00026	SPEAKER	
118	PQKE10395Z1	COVER, EARPHONE (for KX-TGA560S)	
118	PQKE10395Z2	COVER, EARPHONE (for KX-TGA560M)	
118	PQKE10395Z3	COVER, EARPHONE (for KX-TGA560B)	
119	PQMC10496Z	MAGNETIC SHIELD, ANTENNA	
120	PQKE10394Z2	COVER, LED CAP (for KX-TGA560S)	PC+ABS-HB
120	PQKE10394Z3	COVER, LED CAP (for KX-TGA560M)	PC+ABS-HB
120	PQKE10394Z5	COVER, LED CAP (for KX-TGA560B)	PC+ABS-HB
121	PQHR11081Y	GUIDE, LED CAP	ABS-HB
122	PQHR11080Z	OPTIC CONDUCTIVE PARTS, LED LENS	PMMA-HB
123	PQKF10715Z1	CABINET COVER (for KX-TGA560S)	ABS-HB
123	PQKF10715Z3	CABINET COVER (for KX-TGA560M)	ABS-HB
123	PQKF10715Z4	CABINET COVER (for KX-TGA560B)	ABS-HB
124	PQH11414Z	PLASTIC PARTS, BATTERY LABEL	
125	HHR-P104	BATTERY	
126	PQHE10160Z	SPACER, BATTERY	
127	PQKK10597Z1	LID, BATTERY COVER (for KX-TGA560S)	ABS-HB
127	PQKK10597Z3	LID, BATTERY COVER (for KX-TGA560M)	ABS-HB
127	PQKK10597Z4	LID, BATTERY COVER (for KX-TGA560B)	ABS-HB
128	PQYNTG5631SR	LID, BATTERY COVER ASS'Y (for KX-TGA560S)	ABS-HB
128	PQYNTG5632MR	LID, BATTERY COVER ASS'Y (for KX-TGA560M)	ABS-HB
128	PQYNTG5633BR	LID, BATTERY COVER ASS'Y (for KX-TGA560B)	ABS-HB

### 29.2.2. Main P.C.Board Parts

**Note:**

(\*1) When you have replaced IC201 or IC241, adjust X201.  
Refer to **Check and Adjust X201 (Handset) Frequency**

(P.46) and **Adjust Battery Low Detector Voltage (Handset) (P.46).**

(\*2) When replacing the Handset LCD, see **HOW TO REPLACE THE HANDSET LCD (P.24).**

Ref. No.	Part No.	Part Name & Description	Remarks
PCB100	PQWPTG5621SR	MAIN P.C.BOARD ASS'Y (RTL) (ICs)	
IC201	C2HBBY000029	IC (*1)	
IC221	C0EBF0000179	IC	
IC241	PQWITG5621SR	IC (*1)	
IC371	C0CBABD00019	IC	
IC381	C0CBABD00011	IC	
IC701	C1CB00001657	IC	
IC761	C0CBAAC00083	IC	
IC801	C1CB00001682	IC	
IC841	C0CBABE00029	IC	
IC851	C1CB00002281	IC	
		(TRANSISTORS)	
Q221	2SD1819A	TRANSISTOR(SI)	
Q231	UN521	TRANSISTOR(SI)	S
Q243	PQVTDTC114TU	TRANSISTOR(SI)	S
Q255	B1GHCFEM0001	TRANSISTOR(SI)	S
Q261	B1GHCFEM0001	TRANSISTOR(SI)	S
Q331	PQVTDTC143E	TRANSISTOR(SI)	S
Q361	2SB1197KQ	TRANSISTOR(SI)	S
Q362	2SD1819A	TRANSISTOR(SI)	
Q363	PQVTDTC144TU	TRANSISTOR(SI)	S
		(DIODES)	
D223	MA111	DIODE(SI)	S
D312	MA8047	DIODE(SI)	S
D313	MA8047	DIODE(SI)	S
D323	MA8047	DIODE(SI)	S
D324	MA8047	DIODE(SI)	S
D326	MA8047	DIODE(SI)	S
D327	MA8047	DIODE(SI)	S
D351	MA2ZD0200L	DIODE(SI)	
D352	MA2ZD0200L	DIODE(SI)	
D353	MA2ZD0200L	DIODE(SI)	
D354	MA2ZD0200L	DIODE(SI)	
D363	MA132WK	DIODE(SI)	S
LED255	B3ACB0000115	LED	
LED256	B3ACB0000115	LED	
LED257	B3ACB0000115	LED	
LED261	B3AZB0000032	LED	
		(COILS)	
L326	G1CR47J00005	COIL	
L327	G1CR47J00005	COIL	
L331	PQLQR2KB113T	COIL	S
L332	PQLQR2KB113T	COIL	S
L334	PQLQR2KB113T	COIL	S
L711	MQLRF18N1JFB	COIL	
L782	G1CLR0KA0096	COIL	
L871	MQLRF3N3DFB	COIL	
C723	MQLRF2N7DFB	COIL	
		(LCR FILTERS)	
FL811	J0E5797B0001	LCR FILTER	
FL821	KNCFH165R8Z1	LCR FILTER	
FL881	J0E5797B0002	LCR FILTER	
		(COMPONENTS PARTS)	
CA271	F5A424740002	CAPACITOR ARRAY	
CA274	F5A841040004	CAPACITOR ARRAY	
RA201	DIH84724A013	RESISTOR ARRAY	S
RA255	EXB28V121JX	RESISTOR ARRAY	
		(RESISTORS)	
R208	ERJ3GEYJ100	10	
R209	ERJ2GEJ104	100K	
R222	ERJ2GEJ223	22K	
R223	ERJ2GEJ224	220K	
R225	ERJ2GEJ102	1K	
R226	ERJ2GEJ223	22K	
R227	ERJ2GEJ104	100K	
R228	ERJ2GEJ104	100K	
R231	ERJ2GEJ223	22K	

Ref. No.	Part No.	Part Name & Description	Remarks
R234	ERJ2GEJ103	10K	
R241	ERJ2GEJ103	10K	
R242	ERJ2GEJ102	1K	
R243	ERJ2GEJ274	270K	
R261	ERJ2GEJ470	47	
R262	ERJ2GEJ101	100	
R263	ERJ2GEJ101	100	
R272	D1BB4303A055	430K	
R273	D1BB8203A055	820K	
R312	ERJ2GEJ222	2.2K	
R314	ERJ2GEJ222	2.2K	
R315	ERJ2GEJ222	2.2K	
R317	ERJ2GEJ391	390	
R318	ERJ2GEJ222	2.2K	
R323	ERJ2GEJ220	22	
R324	ERJ2GEJ220	22	
R331	ERJ2GEJ103	10K	
R333	ERJ2GEJ102	1K	
R334	ERJ2GEJ222	2.2K	
R361	ERJ2GEJ473	47K	
R362	ERJ2GEJ102	1K	
R363	ERJ2GEJ473	47K	
R366	ERJ3GEYJ332	3.3K	
R370	ERJ8GEYJ1R2	1.2	
R376	ERJ2GEJ155	1.5M	
R377	ERJ2GEJ225	2.2M	
R378	ERJ2GEJ155	1.5M	
R379	ERJ2GEJ225	2.2M	
R701	ERJ2RKF103X	10K	
R732	ERJ2GEJ100	10	
R733	ERJ2GEJ100	10	
R735	ERJ2GEJ4R7	4.7	
R742	ERJ2GEJ331	330	
R744	ERJ2GEJ102	1K	
R747	ERJ2GEJ102	1K	
R751	ERJ2GEJ102	1K	
R752	ERJ2GEJ102	1K	
R809	ERJ2GEJ102	1K	
R813	ERJ2GE0R00	0	
R822	ERJ2GEJ271	270	
R823	ERJ2GEJ180	18	
R824	ERJ2GEJ271	270	
R832	ERJ2GEJ562X	5.6K	
R834	ERJ2GEJ332	3.3K	
R864	ERJ2GEJ102	1K	
R865	ERJ2GEJ391	390	
		(CAPACITORS)	
C201	ECJ0EC1H100D	10P	
C202	ECJ0EC1H100D	10P	
C204	ECJ0EB1A104K	0.1	
C206	ECJ0EB1A104K	0.1	
C208	FLJ0J1060007	10	
C211	EEE0GA331WP	330	
C212	ECJ0EB1C103K	0.01	
C214	FLJ0J1060007	10	
C215	ECJ0EB1A104K	0.1	
C221	ECJ0EB1C103K	0.01	
C222	ECJ0EB1A104K	0.1	
C224	ECJ0EB1A104K	0.1	
C225	ECJ0EB1A104K	0.1	
C226	ECJ0EB1A104K	0.1	
C231	ECJ0EB1A104K	0.1	
C241	ECJ0EB1A104K	0.1	
C242	ECJ0EC1H101J	100P	
C246	ECJ0EB1A104K	0.1	
C262	ECUV1A105KBV	1	
C272	ECUV1C474KBV	0.47	
C273	ECUV1C104KBV	0.1	
C303	ECJ0EB0J105K	1	
C305	ECJ0EB1C103K	0.01	
C306	ECJ0EB1A104K	0.1	
C314	ECJ0EB1C183K	0.018	
C315	ECJ0EB1C183K	0.018	

Ref. No.	Part No.	Part Name & Description	Remarks
C316	ECJ0EB1H332K	0.0033	
C317	ECST0JY226	22	
C321	F1H0J335A005	3.3	
C333	ECJ0EB1E682K	0.0068	
C335	ECST0JY226	22	
C340	ECJ0EB1A104K	0.1	
C353	ECUV1H103KBV	0.01	
C371	ECJ0EB1A104K	0.1	
C377	ECJ0EB1A104K	0.1	
C379	ECJ0EB1A104K	0.1	
C381	EEE0JA101SP	100P	
C386	ECJ0EB1A104K	0.1	
C701	PQCUV0J475MB	4.7	
C702	ECJ0EB1A104K	0.1	
C704	ECJ0EB1H102K	0.001	
C705	ECJ0EC1H100D	10P	
C706	ECJ0EB1C103K	0.01	
C707	ECJ0EB1H102K	0.001	
C708	ECJ0EC1H1R5C	1.5P	
C711	ECJ0EC1H010C	1P	
C712	ECJ0EC1H020C	2P	
C713	ECJ0EC1H100D	10P	
C714	ECJ0EB1H102K	0.001	
C715	ECJ0EC1H050C	5P	
C716	ECJ0EC1H020C	2P	
C722	ECJ0EC1H020C	2P	
C725	ECJ0EC1H050C	5P	
C731	ECJ0EB1C103K	0.01	
C732	ECJ0EB1H102K	0.001	
C733	ECJ0EB1H102K	0.001	
C734	ECJ0EB1H102K	0.001	
C735	ECJ0EB1A104K	0.1	
C737	ECJ0EB1H102K	0.001	
C741	ECJ0EB1H222K	0.0022	
C743	ECJ0EC1H221J	220P	
C745	ECJ0EC1H101J	100P	
C746	ECJ0EC1H101J	100P	
C747	ECJ0EC1H100D	10P	
C748	ECJ0EC1H101J	100P	
C749	ECJ0EC1H101J	100P	
C750	ECJ0EC1H101J	100P	
C751	ECJ0EC1H100D	10P	
C752	ECJ0EB1H471K	470P	
C763	ECUV1A474KBV	0.47	
C764	ECJ0EC1H020C	2P	
C773	ECJ0EC1H101J	100P	
C781	ECJ0EB1A104K	0.1	
C782	ECJ0EC1H121J	120P	
C801	ECJ0EC1H030C	3P	
C802	ECJ0EC1H220J	22P	
C803	ECJ0EB1C103K	0.01	
C804	ECJ0EC1H150J	15P	
C806	ECJ0EC1H100D	10P	
C809	ECJ0EB1C223K	0.022	
C811	ECJ0EC1H020C	2P	
C821	ECJ0EC1H100D	10P	
C824	ECJ0EC1H100D	10P	
C832	ECJ0EC1H221J	220P	
C833	ECJ0EC1H101J	100P	
C834	ECJ0EB1C103K	0.01	
C835	ECJ0EB1H471K	470P	
C836	ECUV1A105KBV	1	
C837	ECJ0EC1H101J	100P	
C842	ECUV1A105KBV	1	
C843	ECUV1A474KBV	0.47	
C844	ECJ0EC1H020C	2P	
C856	ECJ0EC1H020C	2P	
C857	ECJ0EB0J105K	1	
C858	ECJ0EC1H0R5C	0.5P	
C859	ECJ0EC1H0R5C	0.5P	
C864	F1G1E562A086	0.0056	
C865	ECUE1A333KBQ	0.033	S
C871	F1G1HR10A561	0.1P	

Ref. No.	Part No.	Part Name & Description	Remarks
C873	ECJ0EC1H020C	2P	
C874	ECJ0EB0J105K	1	
C881	ECJ0EC1H050C	5P	
C891	ECJ0EC1H050C	5P	
		(OTHERS)	
MIC	L0CBAB000052	MICROPHONE	
E101	L5DCBY00003	LIQUID CRYSTAL DISPLAY (*2)	
E102	PQHX11289Z	COVER, LCD COVER SHEET	
E103	PQHR11065Z	TRANSPARENT PLATE, LCD PLATE	PMMA-HB
E104	PQHR11228Z	GUIDE, LCD	ABS-HB
E105	PQMC10492Z	MAGNETIC SHIELD, FRAME	
E106	PQMC10491Z	MAGNETIC SHIELD, COVER	
CN331	K2HD103D0001	JACK	
X201	H0J138500003	CRYSTAL OSCILLATOR	

## 29.3. Charger Unit

### 29.3.1. Cabinet and Electrical Parts

Ref. No.	Part No.	Part Name & Description	Remarks
200	PQLV30042ZM	CHARGER UNIT (for KX-TG5632M) (for KX-TGA560M)	
200	PQLV30042ZB	CHARGER UNIT (for KX-TG5633B) (for KX-TGA560B)	
200-1	PQQT23179Z	LABEL, COVER	
200-2	PQKM10728Z1	CABINET BODY (for KX-TG5632M) (for KX-TGA560M)	ABS-HB
200-2	PQKM10728Z2	CABINET BODY (for KX-TG5633B) (for KX-TGA560B)	ABS-HB
200-3	PQHA10023Z	RUBBER PARTS, FOOT CUSHION	
200-4	PQYF10612Z1	CABINET COVER (for KX-TG5632M) (for KX-TGA560M)	PS-HB
200-4	PQYF10612Z3	CABINET COVER (for KX-TG5633B) (for KX-TGA560B)	PS-HB
200-5	PQGT18815Z	NAME PLATE (for KX-TG5632M/KX-TGA560M Made in Malaysia)	
200-5	PQGT18816Z	NAME PLATE (for KX-TG5632M/KX-TGA560M Made in China)	
200-5	PQGT18817Z	NAME PLATE (for KX-TG5633B/KX-TGA560B Made in Malaysia)	
200-5	PQGT18818Z	NAME PLATE (for KX-TG5633B/KX-TGA560B Made in China)	
200-6	PQXDZLDRS1	LABEL, SECURITY	

### 29.3.2. Main P.C.Board Parts

Ref. No.	Part No.	Part Name & Description	Remarks
PCB200	PQWPTGA560CH	MAIN P.C.BOARD ASS'Y (RTL)	
		(RESISTORS)	
R1	ERDS2TJ331	330	
R2	ERDS2TJ331	330	
R3	ERDS2TJ331	330	
R4	ERDS2TJ331	330	
R5	ERDS2TJ331	330	
R6	ERDS2TJ331	330	
R7	ERDS2TJ331	330	
R8	ERDS2TJ331	330	
R9	ERDS2TJ331	330	
R10	ERDS2TJ331	330	
R11	ERDS2TJ331	330	
R12	ERDS2TJ331	330	S
		(OTHERS)	
E201	PQJT10200Z	CHARGE TERMINAL	
E202	PQHG10584Z	SPACER	
CN1	PQJJ1B4Y	JACK	S

## 29.4. Accessories and Packing Materials

Note:

(\*1) You can download and refer to the Operating Instructions (Instruction book) on TSN Server.

### 29.4.1. KX-TG5631S

Ref. No.	Part No.	Part Name & Description	Remarks
A1	PQLV1W	AC ADAPTOR	△
A2	PQJA10075Z	CORD, TELEPHONE	
A3	PQKL10068Z1	STAND, WALL MOUNT	ABS-HB
A4	PQX15045Y	INSTRUCTION BOOK (*1)	
A5	PQQW15087Y	QUICK GUIDE (for English)	
A6	PQQW15088Y	QUICK GUIDE (for Spanish)	
A7	PQQW15089Z	LEAFLET, openLCR	
P1	XZB21X35A03	PROTECTION COVER (for Base Unit)	
P2	XZB10X35A02	PROTECTION COVER (for Handset)	
P3	PQPD10715Z	CUSHION	
P4	PQPK15066X	GIFT BOX	
P5	PQXDDS400-8	LABEL, SECURITY	

### 29.4.2. KX-TG5632M

Ref. No.	Part No.	Part Name & Description	Remarks
A1	PQLV1W	AC ADAPTOR	△
A2	KX-TCAL-2	AC ADAPTOR	△
A3	PQJA10075Z	CORD, TELEPHONE	
A4	PQKL10068Z4	STAND, WALL MOUNT	ABS-HB
A5	PQQV10308Z	CARD, CCP	
A6	PQX15045Y	INSTRUCTION BOOK (*1)	
A7	PQQW15087Y	QUICK GUIDE (for English)	
A8	PQQW15088Y	QUICK GUIDE (for Spanish)	
A9	PQQW15089Z	LEAFLET, openLCR	
P1	XZB21X35A03	PROTECTION COVER (for Base Unit)	
P2	XZB10X35A02	PROTECTION COVER (for Handset)	
P3	XZB15X25A04	PROTECTION COVER (for Charger Unit)	
P4	PQPK15123Y	GIFT BOX	
P5	PQXDDS400-8	LABEL, SECURITY	

### 29.4.3. KX-TG5633B

Ref. No.	Part No.	Part Name & Description	Remarks
A1	PQLV1W	AC ADAPTOR	△
A2	KX-TCAL-2	AC ADAPTOR	△
A3	PQJA10075Z	CORD, TELEPHONE	
A4	PQKL10068Z4	STAND, WALL MOUNT	ABS-HB
A5	PQQV10308Z	CARD, CCP	
A6	PQX15045Y	INSTRUCTION BOOK (*1)	
A7	PQQW15087Y	QUICK GUIDE (for English)	
A8	PQQW15088Y	QUICK GUIDE (for Spanish)	
A9	PQQW15089Z	LEAFLET, openLCR	
P1	XZB21X35A03	PROTECTION COVER (for Base Unit)	
P2	XZB10X35A02	PROTECTION COVER (for Handset)	
P3	XZB15X25A04	PROTECTION COVER (for Charger Unit)	
P4	PQPD10720Y	CUSHION	
P5	PQPK15072Z	GIFT BOX	
P6	PQPN11764Z	ACCESSORY BOX	
P7	PQXDDS400-8	LABEL, SECURITY	

**29.4.4. KX-TGA560M/B**

Ref. No.	Part No.	Part Name & Description	Remarks
A1	KX-TCA1-2	AC ADAPTOR	⚠
A2	PQX15083Y	INSTRUCTION BOOK (*1)	
A3	PQQW12560Z	LEAFLET	
P1	XZB15X25A04	PROTECTION COVER (for Charger Unit)	
P2	XZB10X35A02	PROTECTION COVER (for Handset)	
P3	PQPK15173X	GIFT BOX (for KX-TGA560M)	
P3	PQPK15174X	GIFT BOX (for KX-TGA560B)	
P4	PQXDDS400-8	LABEL, SECURITY	

**29.5. Fixtures and Tools****Note:**

When replacing the Handset LCD, see **HOW TO REPLACE THE HANDSET LCD (P.24)**.

Part No.	Part Name & Description	Remarks
PQZZ430PIR	TIP OF SOLDERING IRON	
PQZZ430PRB	RUBBER OF SOLDERING IRON	

## 30 FOR SCHEMATIC DIAGRAM

### 30.1. Base Unit (SCHEMATIC DIAGRAM (BASE\_UNIT\_MAIN))

#### 30.1.1. Acoustic Testing Mode

Press “STOP”, “▶▶” and “^” simultaneously, and insert the plug of AC adaptor.

- No beep sound.

**It is easier to measure the transmit level with acoustic testing mode.**

**Notes:**

1. DC voltage measurements are taken with voltmeter from the negative voltage line.

**Important Safety Notice:**

Components identified by ⚠ mark have special characteristics important for safety. When replacing any of these components, use only the manufacturer's specified parts.

2. This schematic diagram may be modified at any time with the development of new technology.

### 30.2. Handset (SCHEMATIC DIAGRAM (HANDSET\_MAIN))

**Notes:**

1. DC voltage measurements are taken with an oscilloscope or a tester with a ground.
2. The schematic diagrams and circuit board may be modified at any time with the development of new technology.

### 30.3. Charger Unit (SCHEMATIC DIAGRAM (CHARGER\_UNIT))

**Notes:**

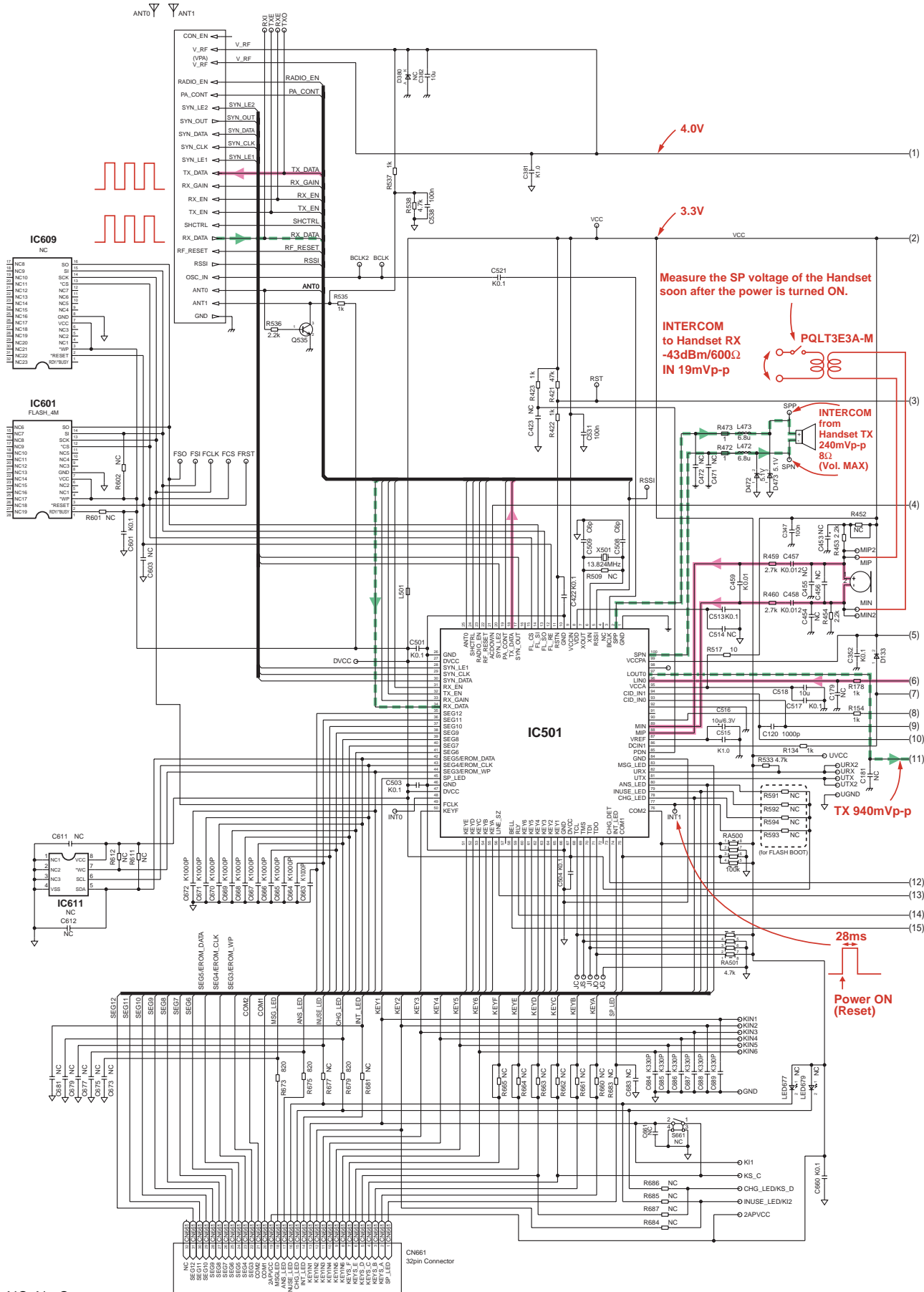
1. DC voltage measurements are taken with voltmeter from the negative voltage line.

**Important Safety Notice:**

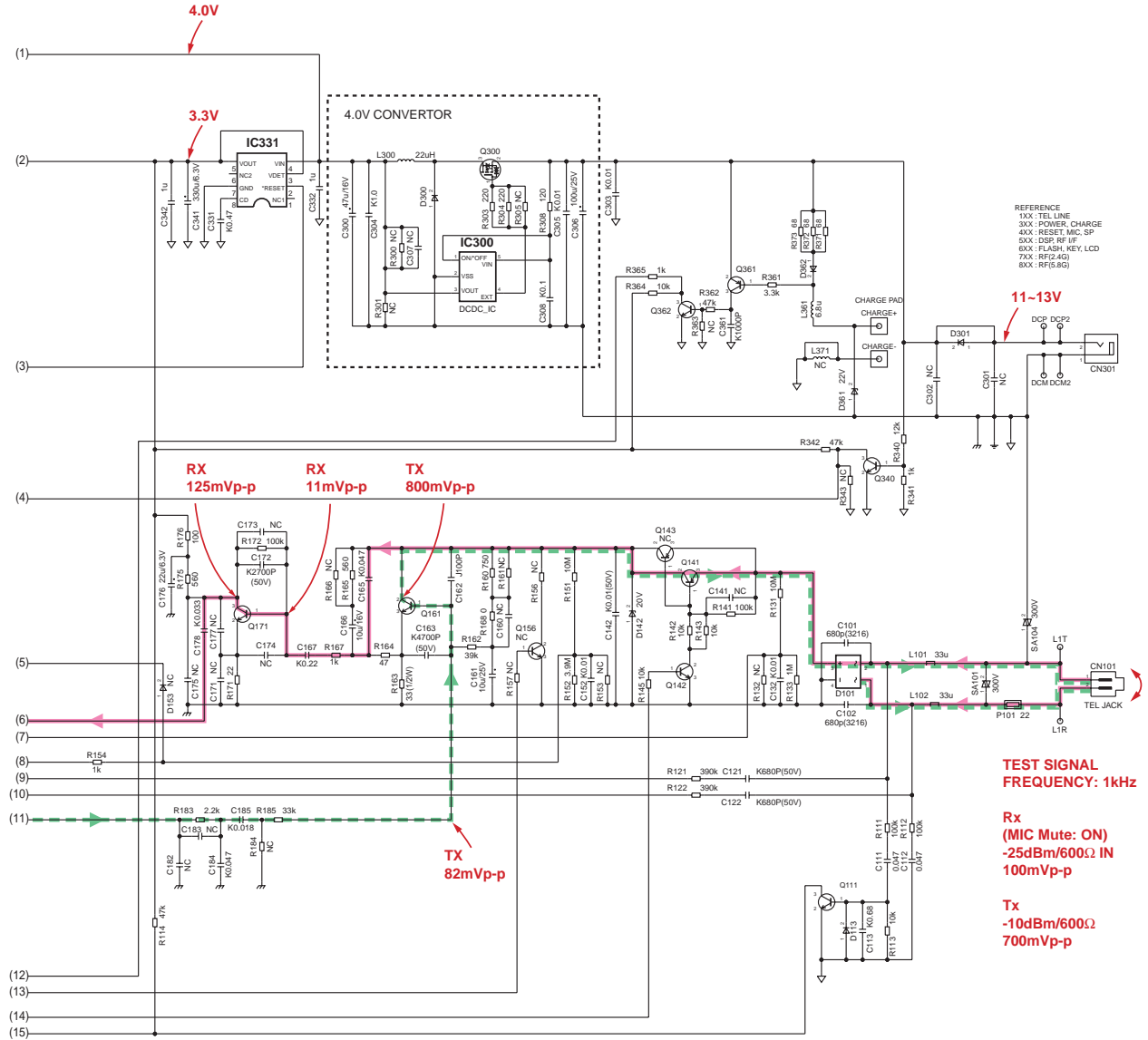
Components identified by ⚠ mark have special characteristics important for safety. When replacing any of these components, use only the manufacturer's specified parts.

2. This schematic diagram may be modified at any time with the development of new technology.

# 31 SCHEMATIC DIAGRAM (BASE UNIT\_MAIN)



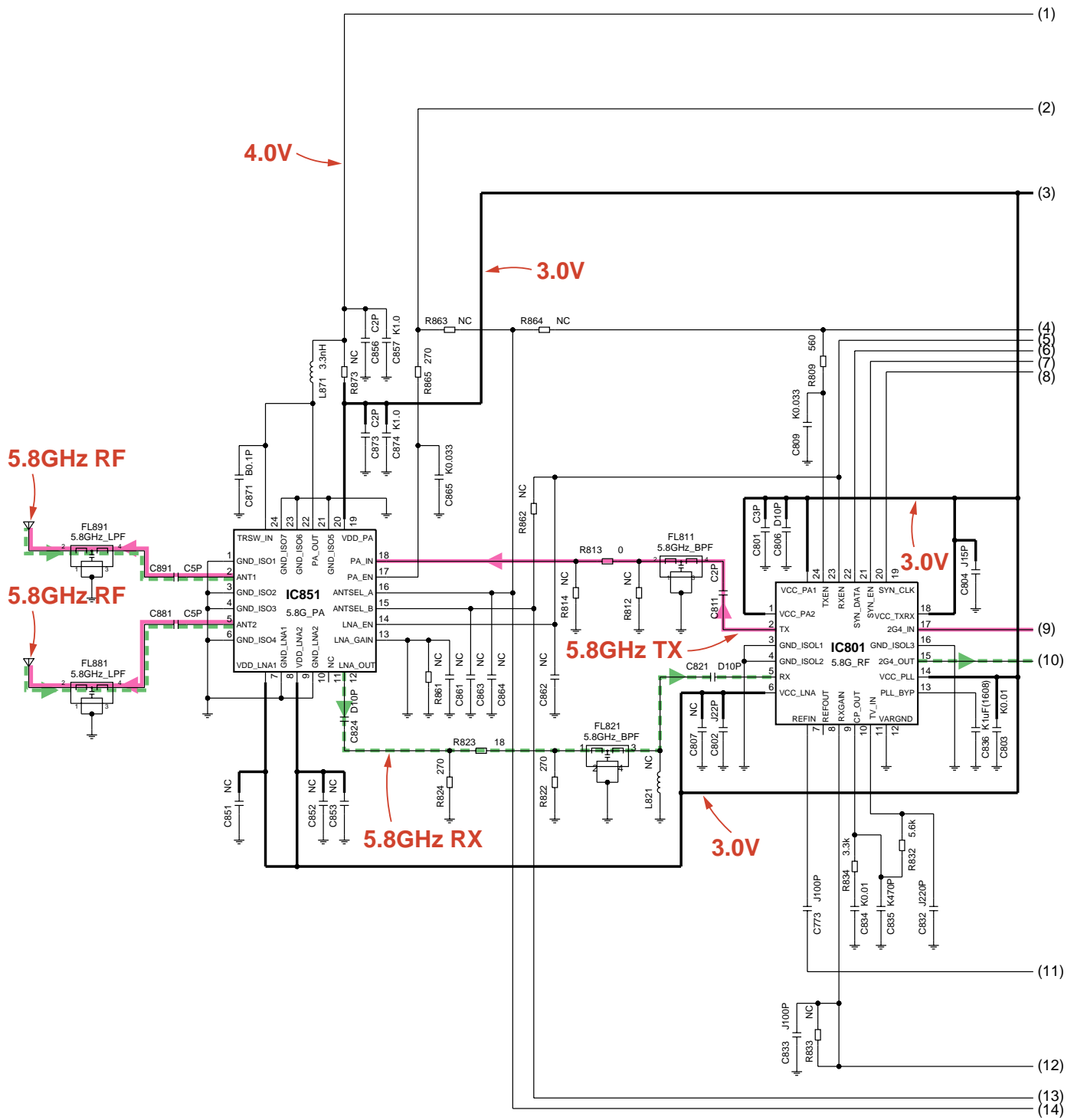
NC: No Components



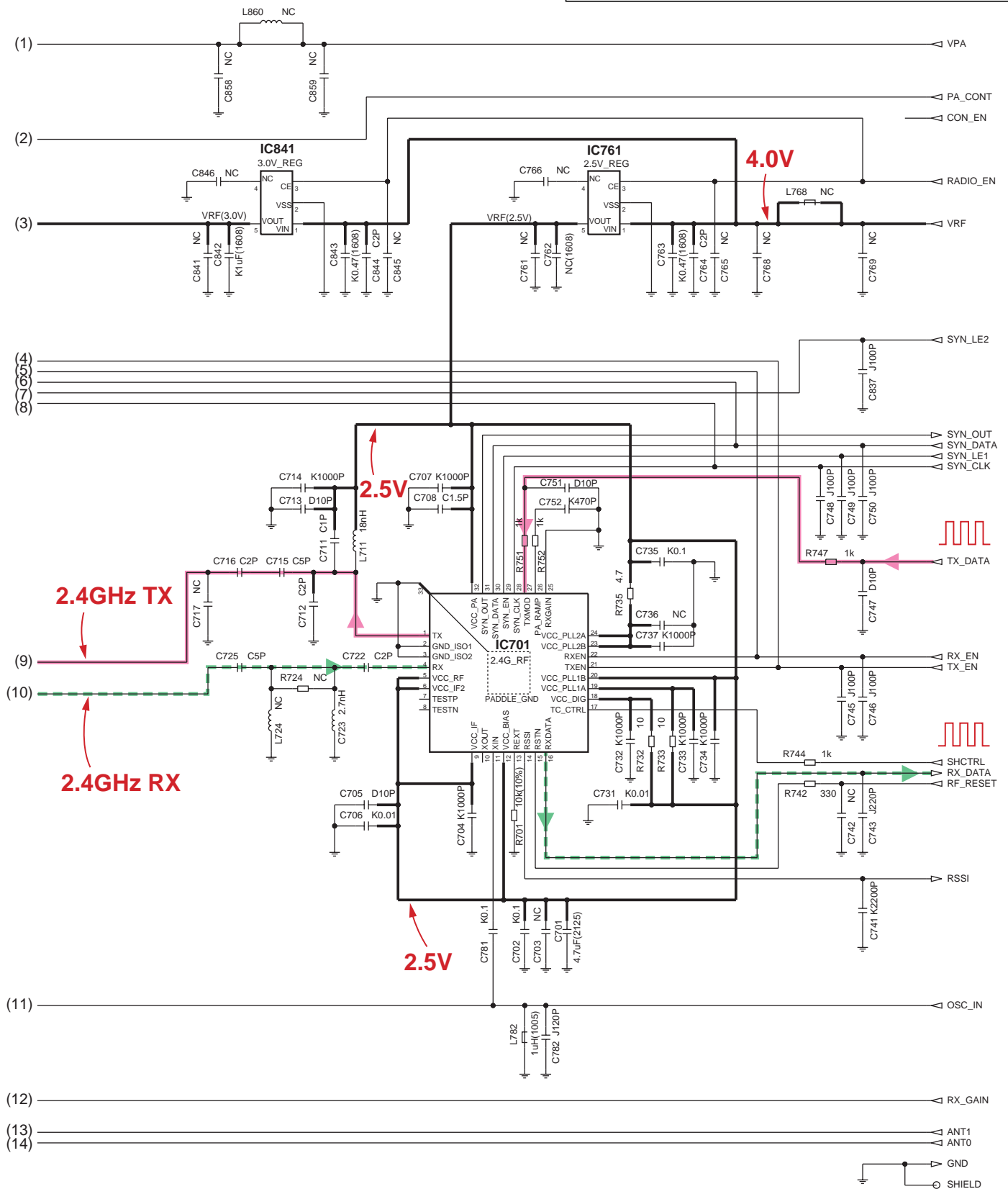
NC: No Components

KX-TG5631/5632/5633 SCHEMATIC DIAGRAM (Base Unit\_Main)

# 32 SCHEMATIC DIAGRAM (BASE UNIT\_RF PART)



NC: No Components



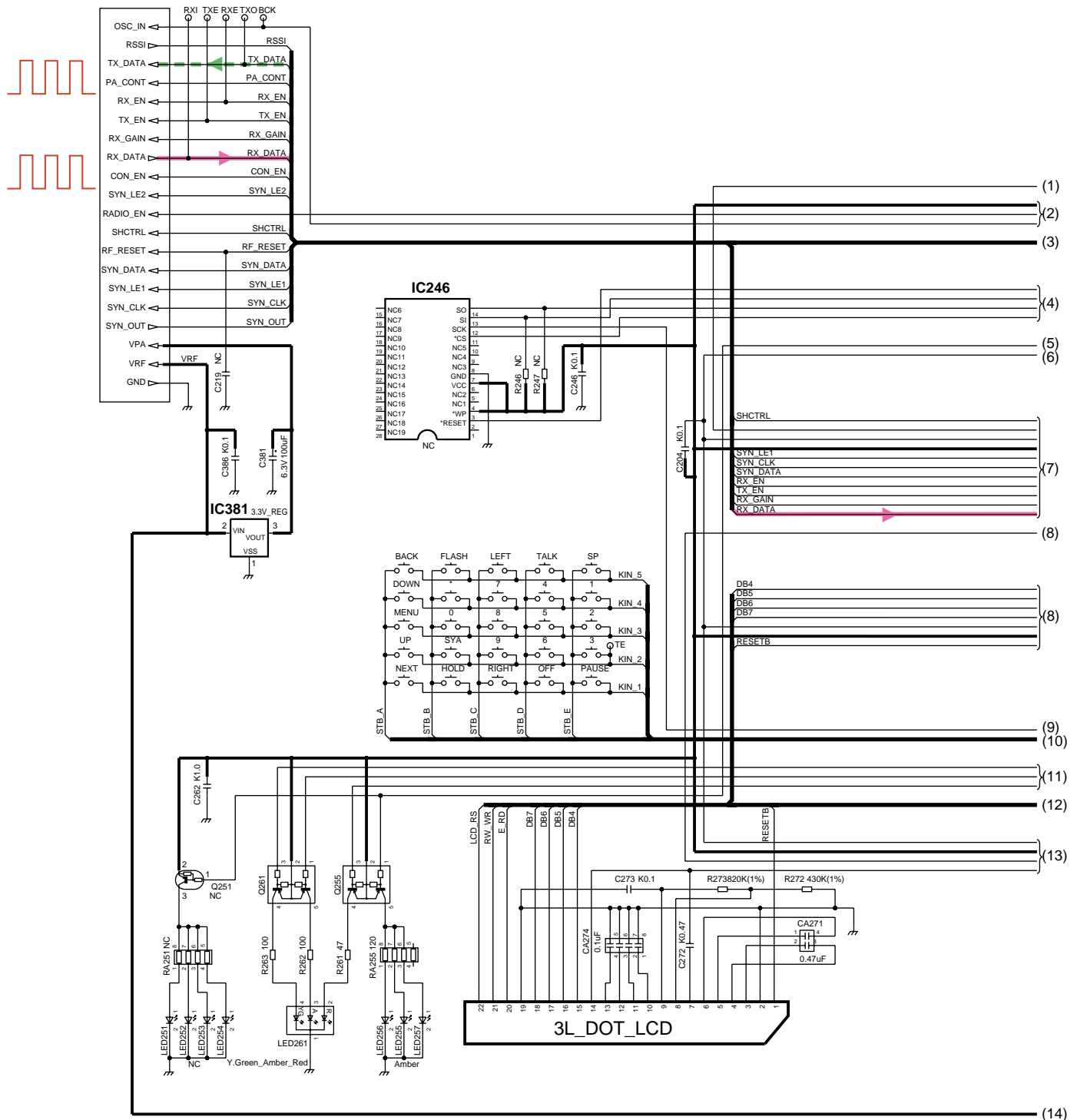
NC: No Components

KX-TG5631/5632/5633 SCHEMATIC DIAGRAM (Base Unit\_RF Part)

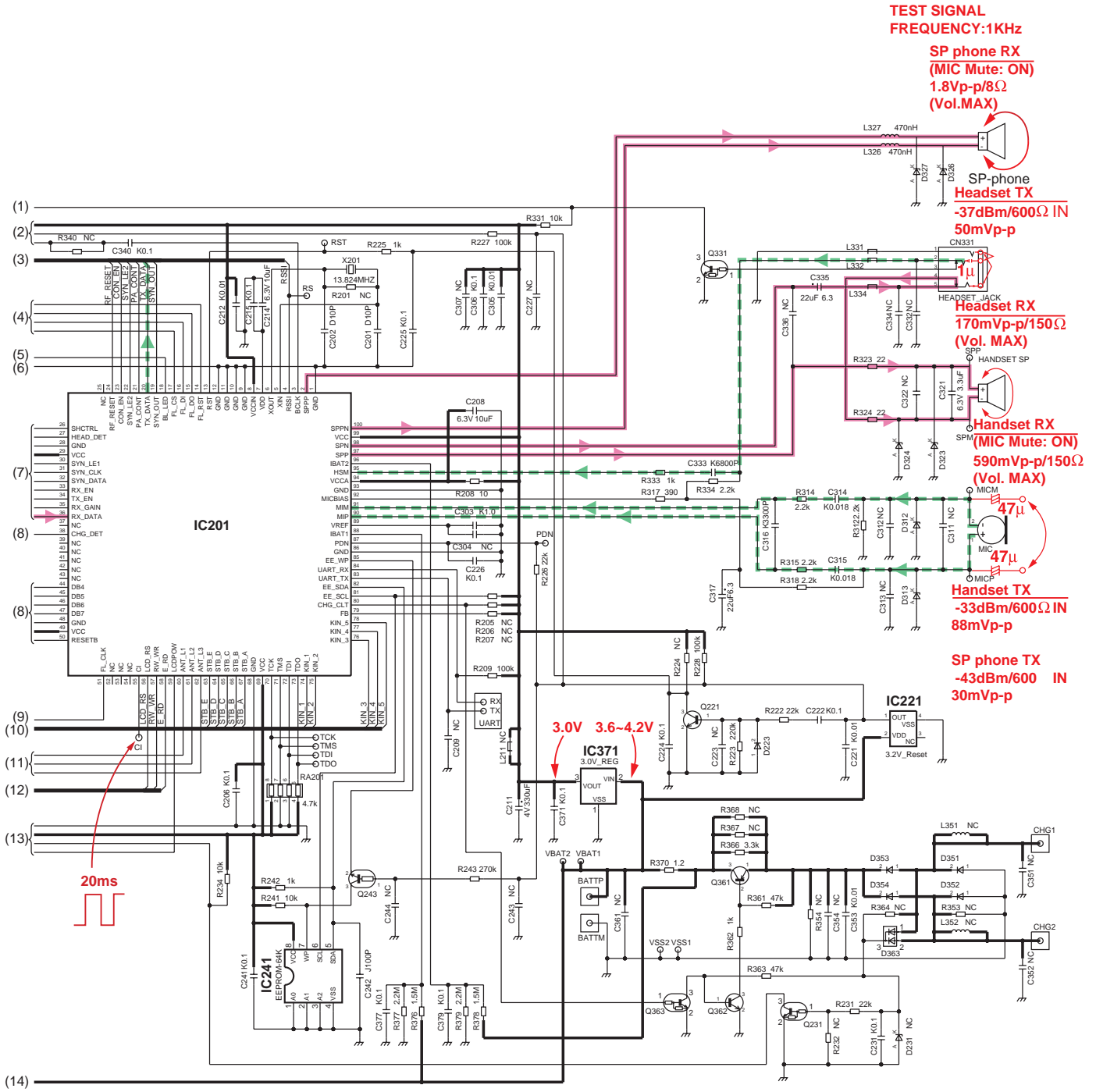


**Memo**

# 34 SCHEMATIC DIAGRAM (HANDSET\_MAIN)



NC: No Components



TEST SIGNAL  
FREQUENCY:1KHz

SP phone RX  
(MIC Mute: ON)  
1.8Vp-p/8Ω  
(Vol.MAX)

SP-phone  
Headset TX  
-37dBm/600Ω IN  
50mVp-p

Headset RX  
170mVp-p/150Ω  
(Vol. MAX)

Handset RX  
(MIC Mute: ON)  
590mVp-p/150Ω  
(Vol. MAX)

Handset TX  
-33dBm/600Ω IN  
88mVp-p

SP phone TX  
-43dBm/600Ω IN  
30mVp-p

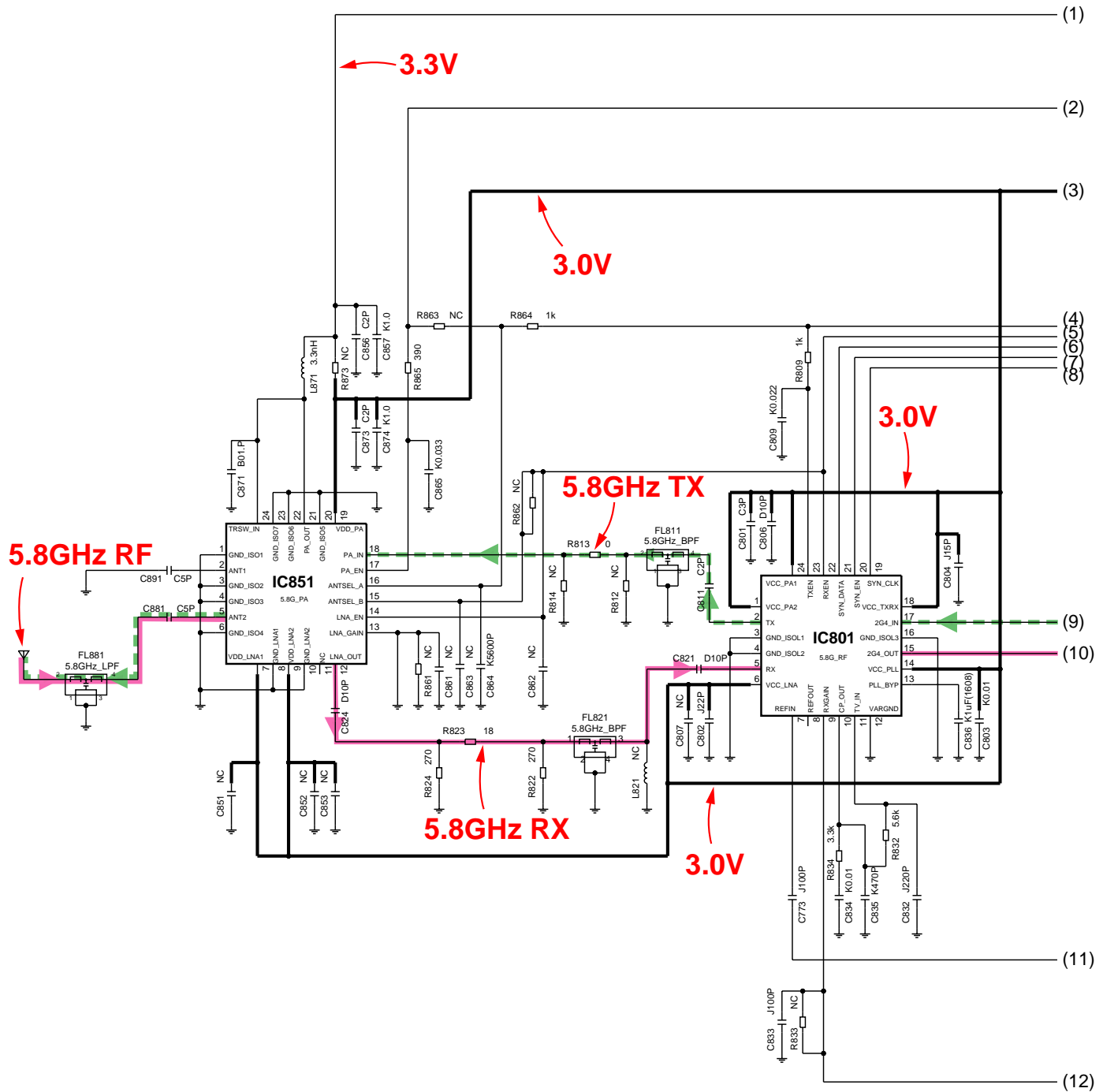
3.0V 3.6-4.2V  
IC371  
3.0V\_REG

20ms

NC: No Components

KX-TGA560 SCHEMATIC DIAGRAM (Handset\_Main)

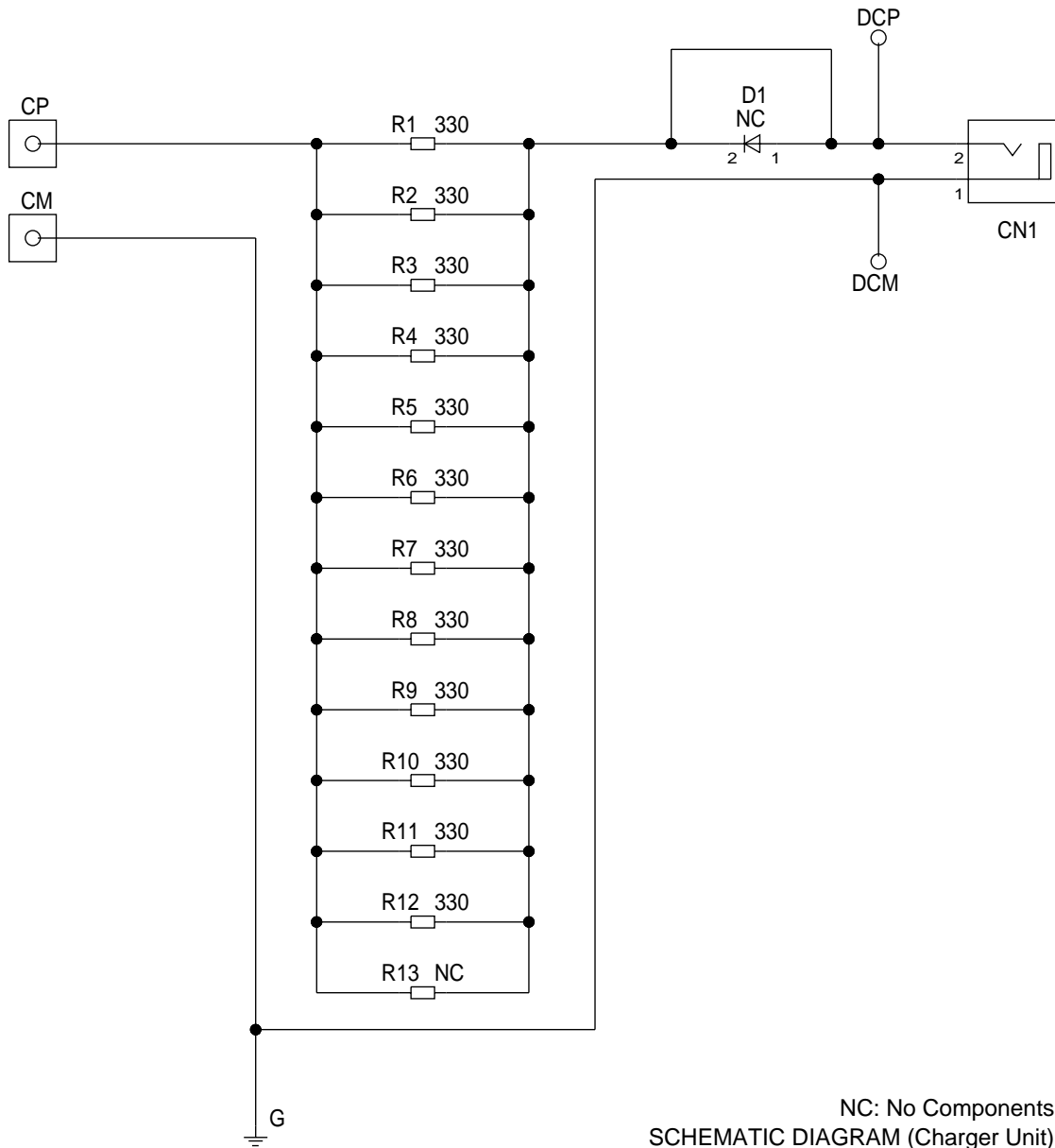
# 35 SCHEMATIC DIAGRAM (HANDSET\_RF PART)



NC: No Components



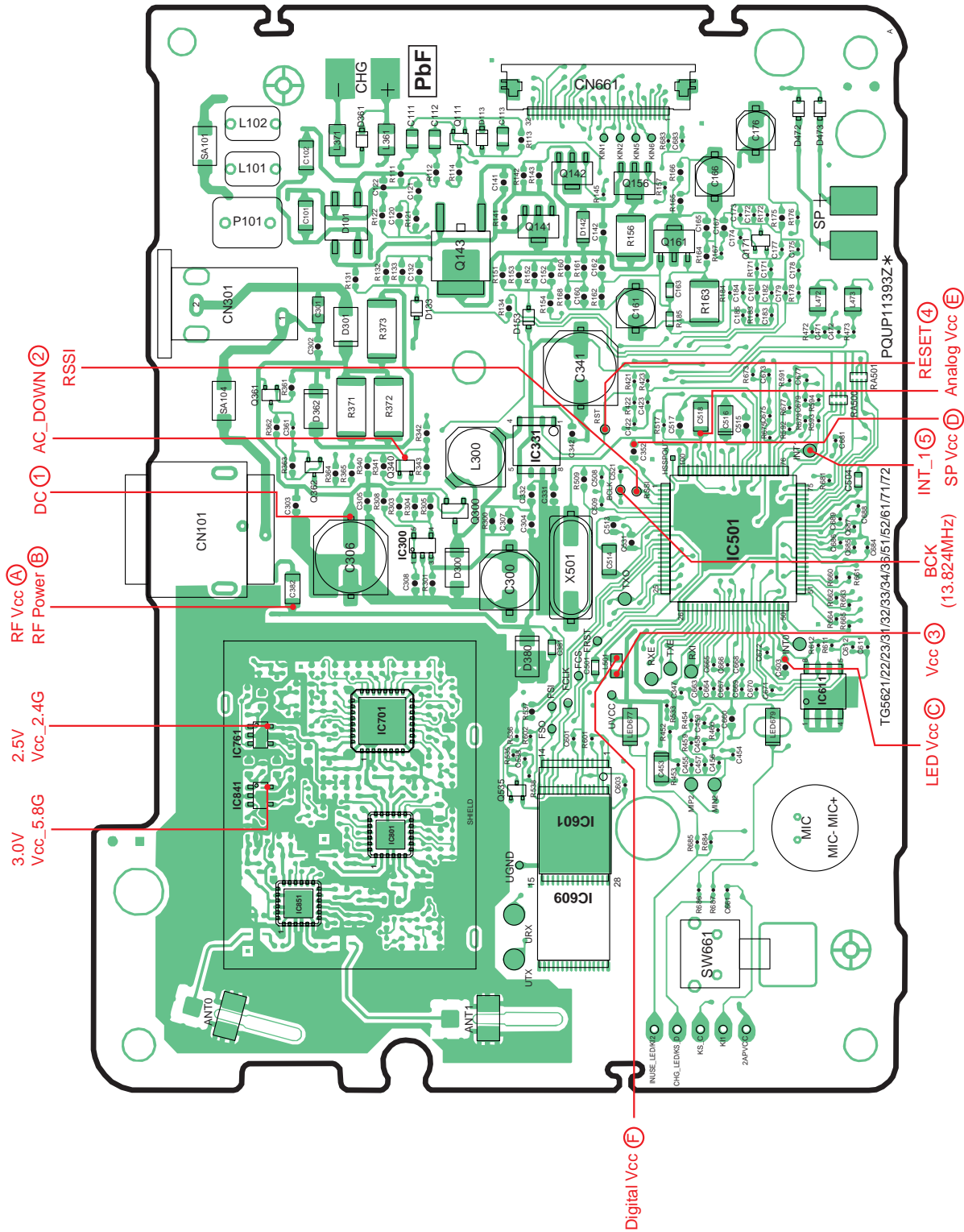
# 36 SCHEMATIC DIAGRAM (CHARGER UNIT)



NC: No Components  
SCHEMATIC DIAGRAM (Charger Unit)

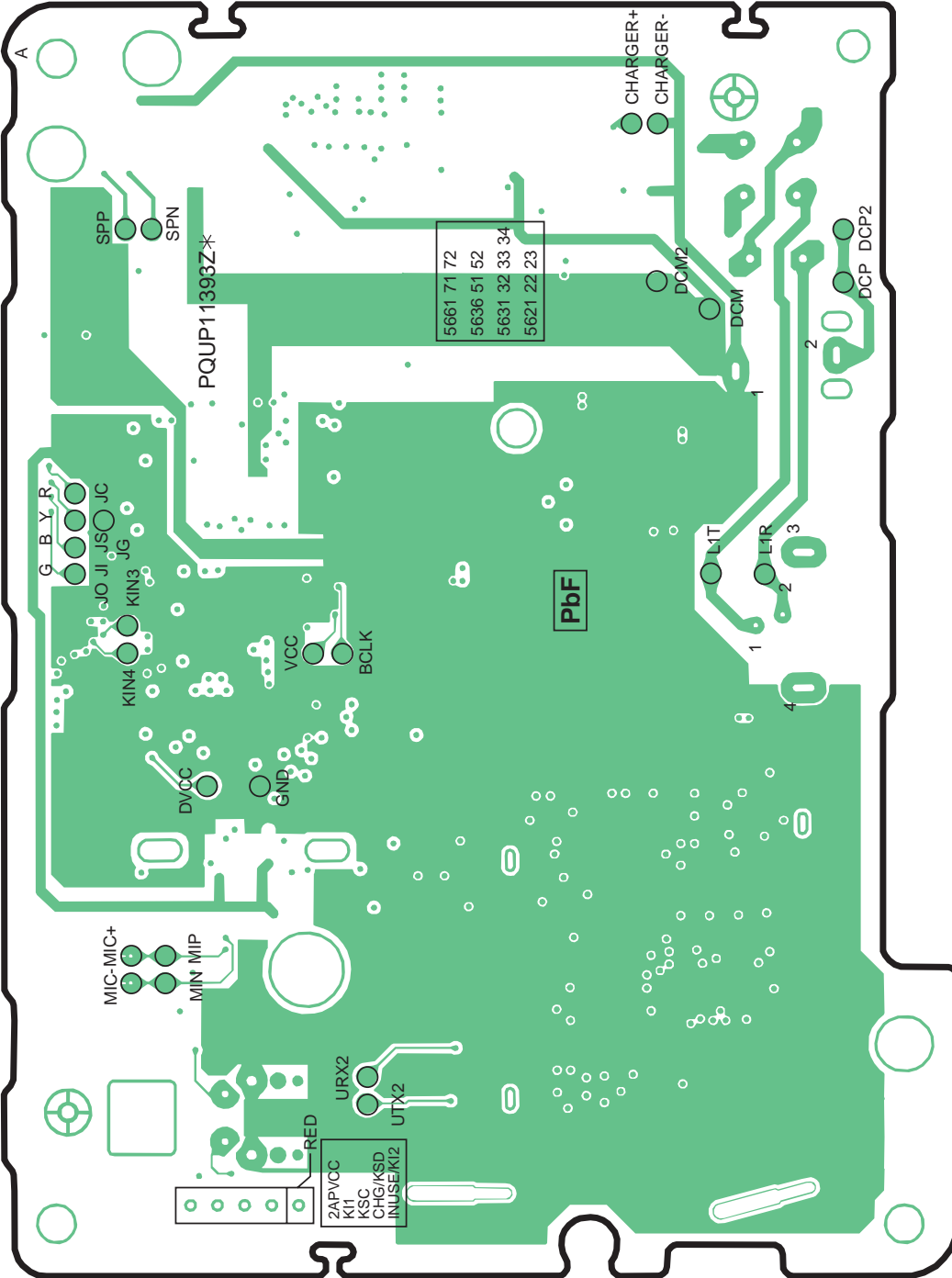
# 37 CIRCUIT BOARD (BASE UNIT\_MAIN)

## 37.1. Component View



KX-TG5631/5632/5633 CIRCUIT BOARD (Base Unit\_Main (Component View))

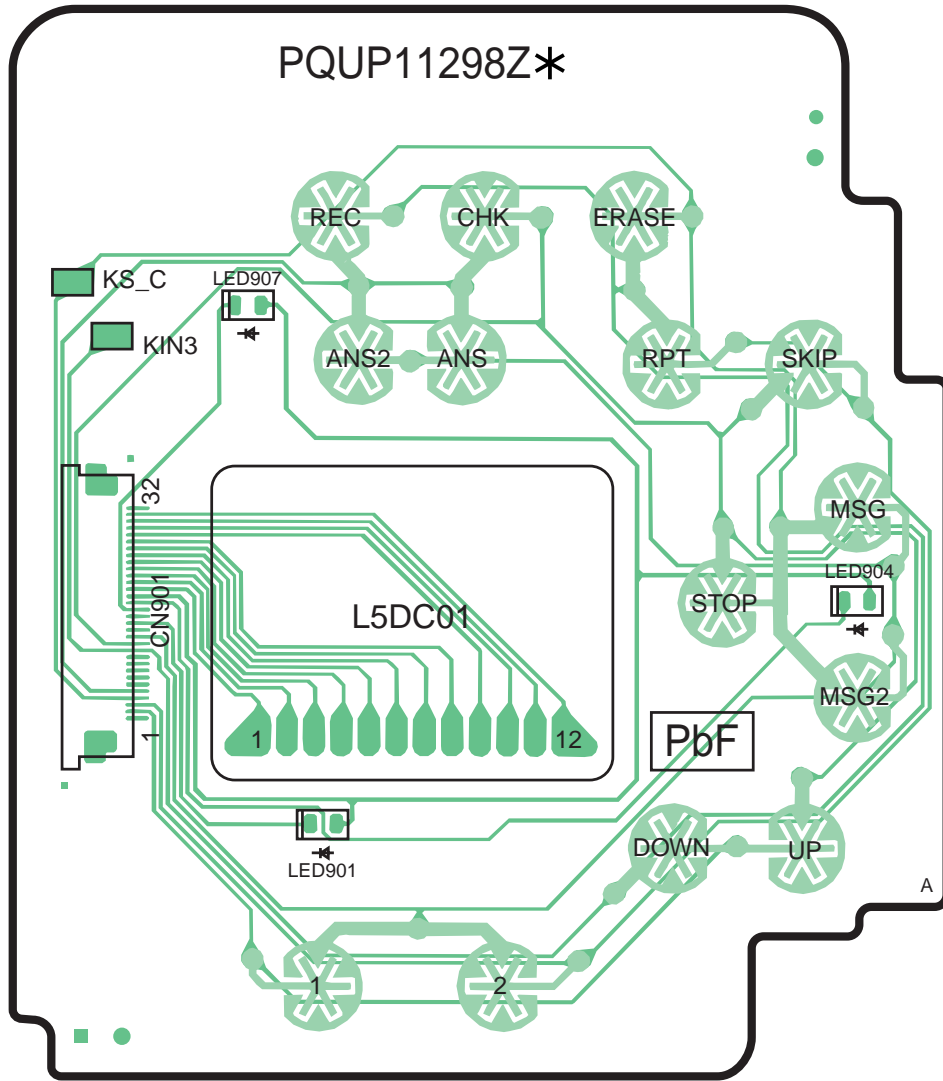
### 37.2. Flow Solder Side View



KX-TG5631/5632/5633 CIRCUIT BOARD (Base Unit\_Main (Flow Solder Side View))

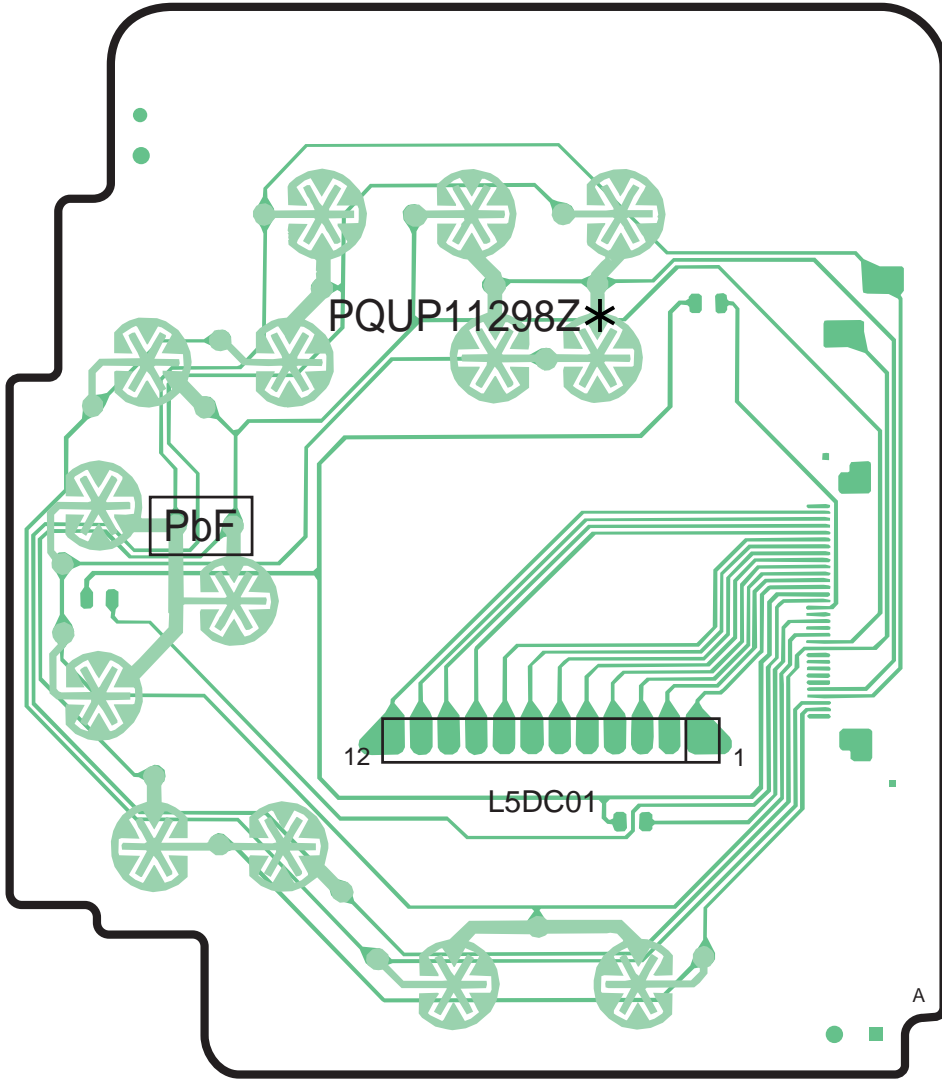
# 38 CIRCUIT BOARD (BASE UNIT\_OPERATION)

## 38.1. Component View



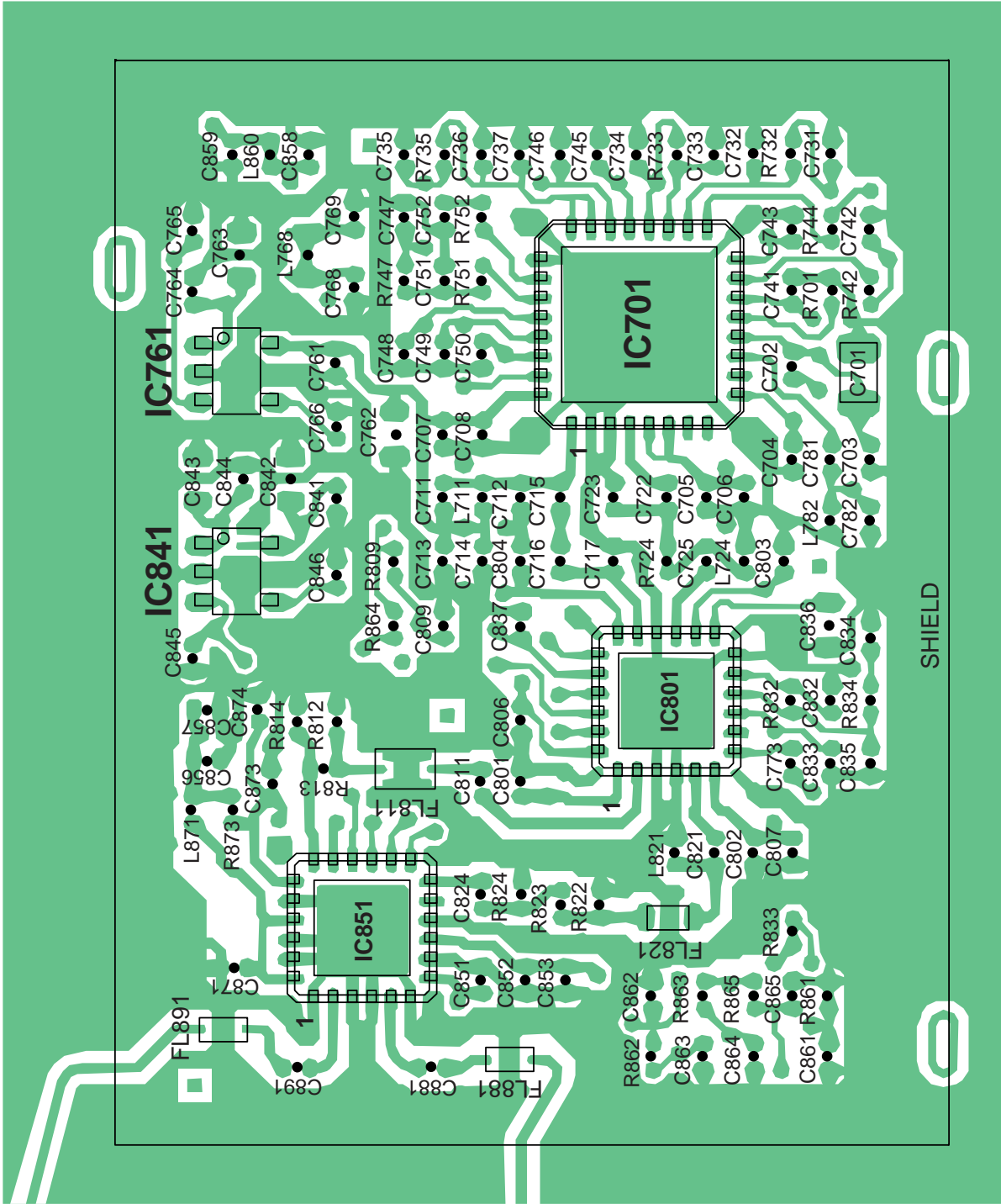
KX-TG5631/5632/5633 CIRCUIT BOARD (Base Unit\_Operation (Component View))

### 38.2. Flow Solder Side View



KX-TG5631/5632/5633 CIRCUIT BOARD (Base Unit\_Operation (Flow Solder Side View))

# 39 CIRCUIT BOARD (BASE UNIT\_RF PART)

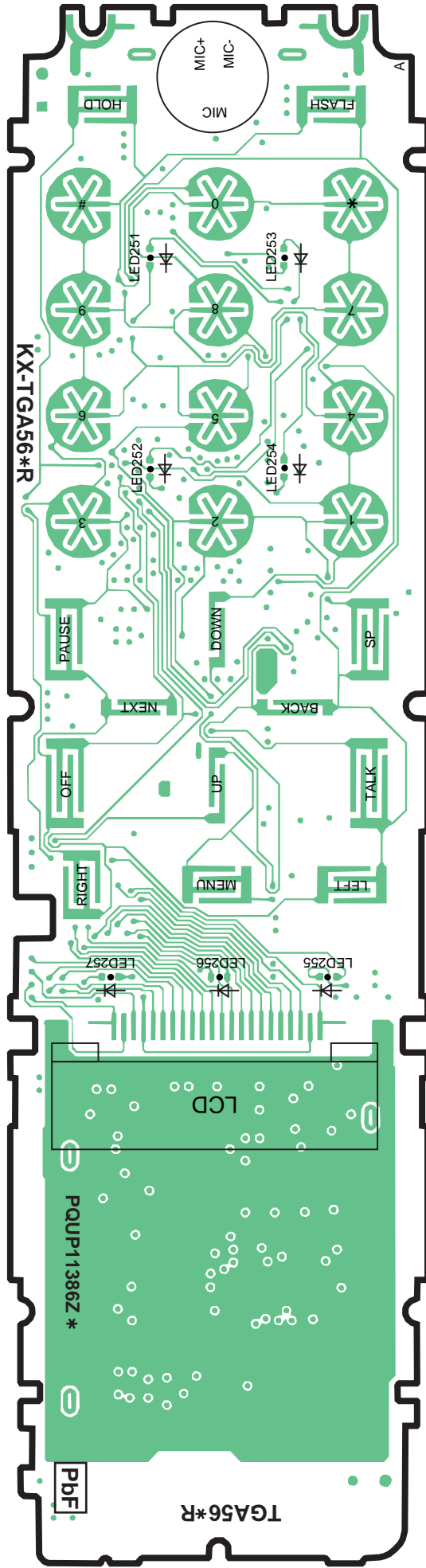


KX-TG5631/5632/5633 CIRCUIT BOARD (Base Unit\_RF Part (Component View))



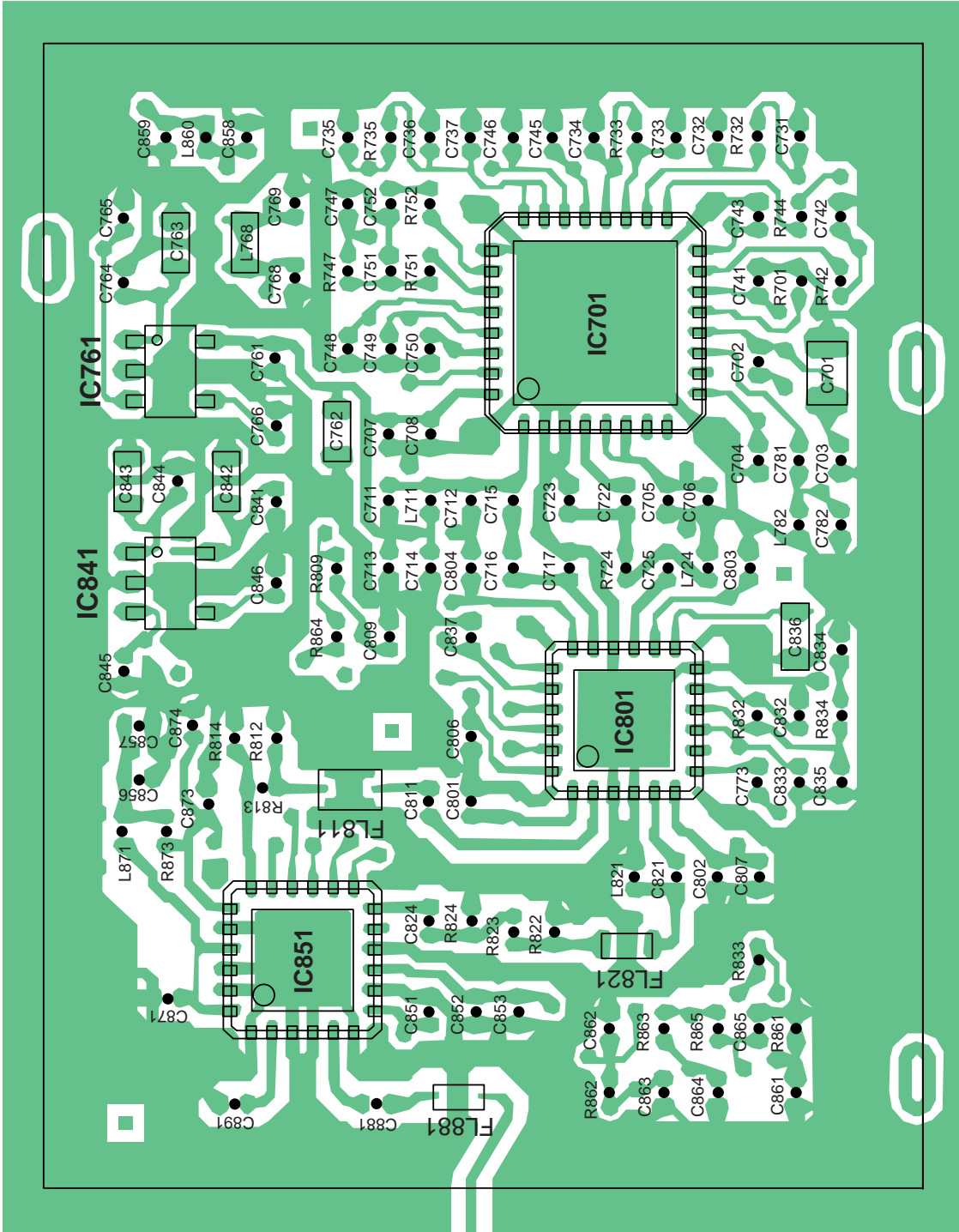


### 40.2. Flow Solder Side View



KX-TGA560 CIRCUIT BOARD (Handset\_Main (Flow Solder Side View))

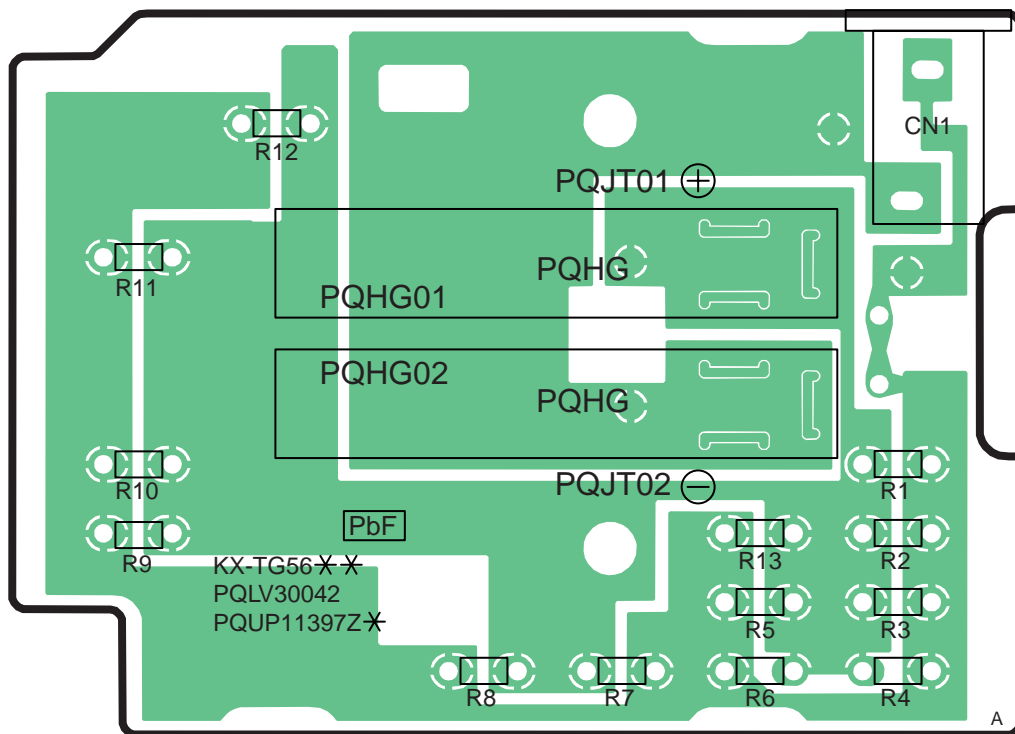
# 41 CIRCUIT BOARD (HANDSET\_RF PART)



KX-TGA560 CIRCUIT BOARD (Handset\_RF Part (Component View))

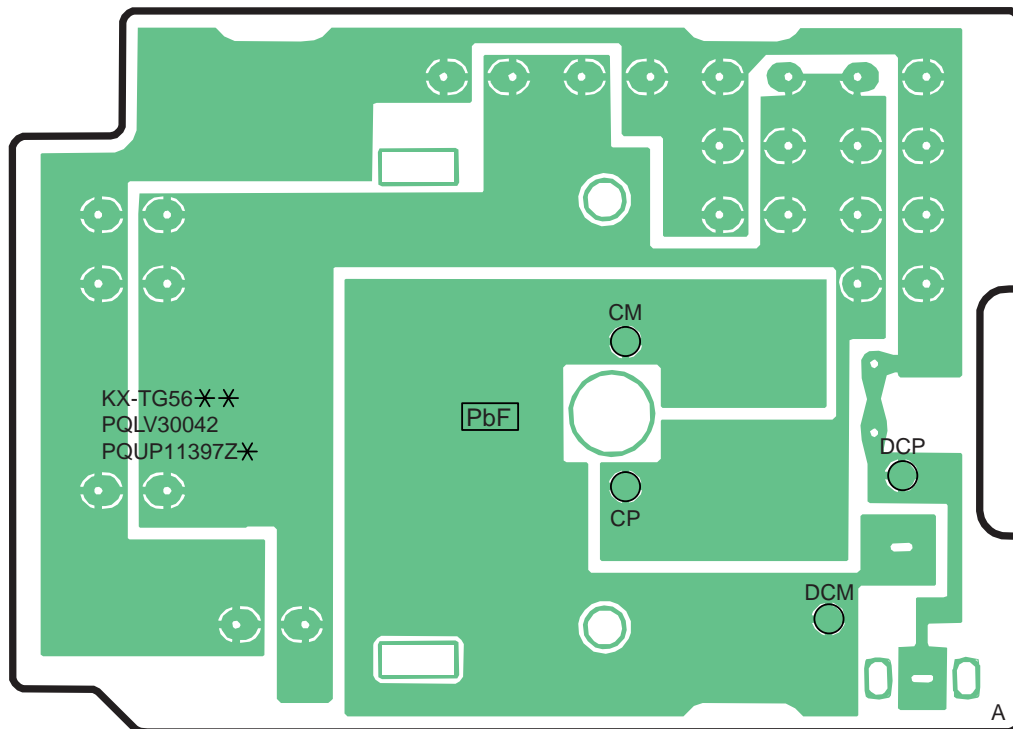
# 42 CIRCUIT BOARD (CHARGER UNIT)

## 42.1. Component View



CIRCUIT BOARD (Charger (Component View))

## 42.2. Flow Solder Side View



CIRCUIT BOARD (Charger (Flow Solder Side View))

G/N  
 KXTG5631S  
 KXTG5632M  
 KXTG5633B  
 KXTGA560S  
 KXTGA560M  
 KXTGA560B