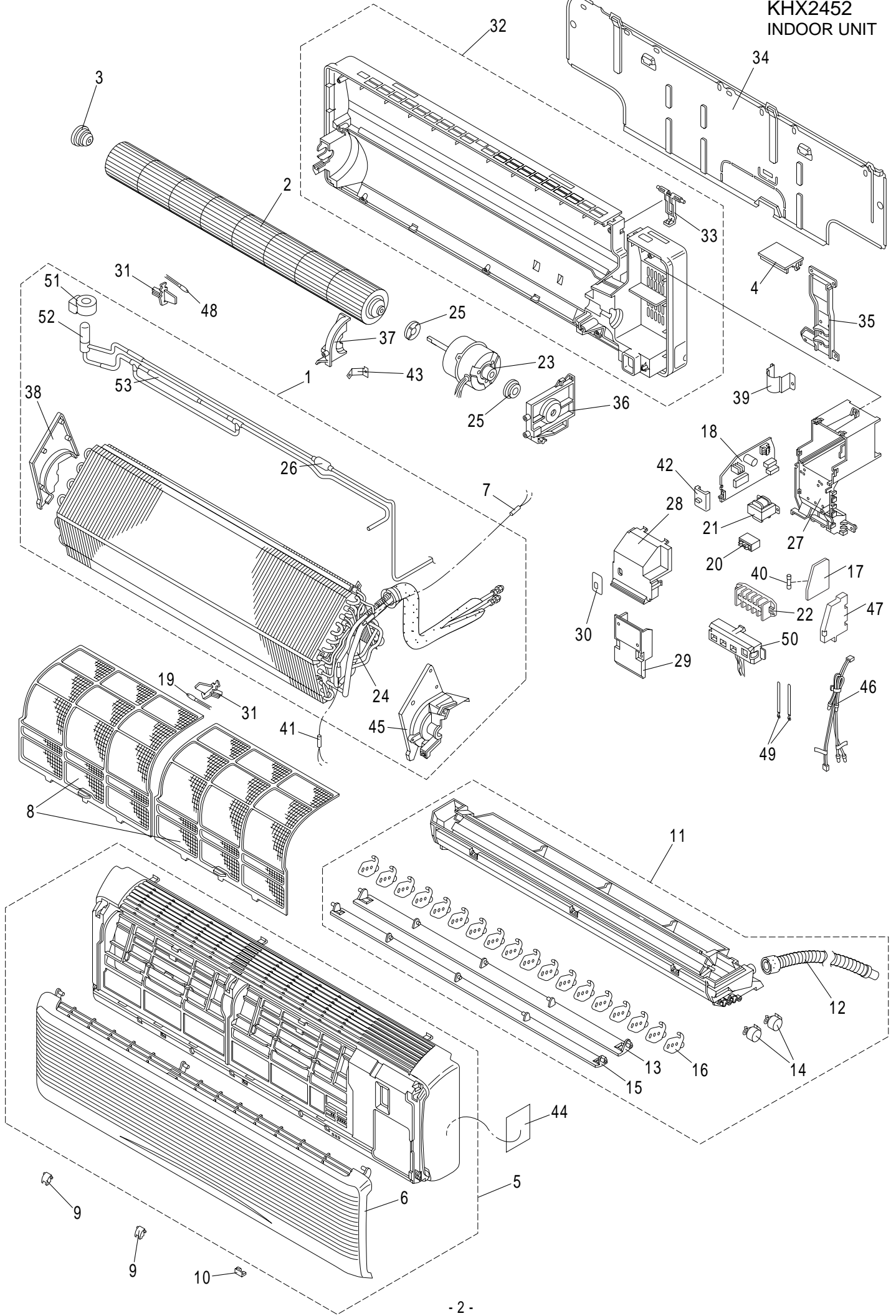


KHX2452  
INDOOR UNIT



To ensure correct parts supply, please let us know followings,  
when you make service parts order:

KHX2452  
INDOOR UNIT

1.Part No. 2.Description 3.Q'ty 4.Volts-Hz-Ph 5.Product Model No.

Key No.	Part No.	Description	Q'ty	Reference No.
* 1	623 179 2059	Heat Exch Ass'y	1	854-0-4124-46400
* 2	623 157 2798	Cross-Flow Fan Ass'y FRS-10085-AAS	1	852-0-2509-22400
* 3	623 094 4466	Bearing Housing Ass'y	1	852-0-2510-12800
4	623 161 0605	Cover	1	852-2-2369-35411
5	623 192 7666	Air Intake Grille Ass'y	1	854-0-1110-20800
6	623 179 4053	Ornamental Plate Ass'y	1	852-0-1516-13600
* 7	623 179 2141	Thermistor Ass'y PBC-41E-S42-1	1	8FA-0-5259-06500
8	623 161 0360	Air Filter Ass'y	2	852-0-2307-27902
9	623 161 0469	Cap	2	852-2-2350-18211
10	623 161 0452	Cap	1	852-2-2350-18311
11	623 192 7680	Blade Louver Ass'y	1	854-0-1505-39700
12	623 157 2842	Drain Hose Ass'y	1	852-0-1303-24100
13	623 161 0421	Flap	1	852-2-1523-23011
* 14	623 188 6031	Step Motor MP24Z8-12V	2	1FA-4-M3A0-01600
15	623 161 0438	Flap	1	852-2-1523-22911
16	623 161 0414	Blade	18	852-2-1519-28211
* 17	623 179 3940	P.C.B. Ass'y POW-KR74GXH56	1	8FA-0-5178-19000
* 18	623 188 6055	Circuit Board Ass'y CB-KR254GXH56A	1	854-9-9536-05233
* 19	623 172 5460	Thermistor Ass'y KTEC-35-S98-1	1	854-0-5259-68200
* 20	638 007 0572	Fixed Capacitor CMPS UP44B185JMF	1	4-2239-56845
* 21	623 201 1128	Transformer Ass'y ATR-I1K244F-T-R	1	8FA-0-5263-06400
* 22	623 172 5446	Terminal Base KT15-5J-SA2030	1	1FA-4-J3A0-16400
* 23	623 192 7697	Fan Motor KFT4Q-31A6P-C	1	1FA-4-M1A0-16406
24	623 176 1550	Strainer Ass'y	1	854-0-4522-28600
25	623 187 0641	Cushion Rubber	2	854-2-2534-23500
26	623 070 9300	Strainer Ass'y	1	854-0-4522-10400
27	623 161 0544	Elec.Component Box	1	852-2-5307-60611
28	623 161 0537	Cover,Elec.Component Box	1	852-2-5315-37911
29	623 161 0520	Terminal Cover Ass'y	1	852-0-5309-01400
30	623 157 3023	Ornament	1	852-2-1513-67901
31	623 172 5507	Mounting Thermostat	2	852-2-5303-25101
32	623 161 0506	Frame Ass'y	1	852-0-2201-33200
33	623 154 7604	Mounting, Tube	1	852-2-2362-22411
34	623 157 3016	Rear Panel	1	852-2-2230-17100
35	623 161 0582	Mounting, Tube	1	852-2-2362-24111
36	623 161 0575	Mounting Plate, Fan Motor	1	852-2-2520-24111
37	623 161 0568	Mounting Plate, Fan Motor	1	852-2-2520-24211
38	623 193 3063	Mounting Plate Ass'y	1	854-0-2323-71100
39	623 157 3047	Mounting, Tube	1	852-2-2362-24410
* 40	623 179 0444	Fuse BET5A	1	1FJ-4-S3A0-00500
* 41	623 172 5576	Thermistor Ass'y PBC-41E-AS7-1	1	854-0-5259-68300
42	623 151 2800	Knob	1	852-2-5323-11201
43	623 157 3030	Mounting Plate	1	852-2-2309-84610
44	623 201 1135	Elec. Wiring Diagram	1	8FA-2-5250-06300
45	623 179 2103	Mounting Plate Ass'y	1	854-0-2323-68400
* 46	623 179 4121	Wire Ass'y	1	8FA-0-5285-15800
47	623 172 7006	Holder	1	852-2-5377-11200
* 48	623 179 2134	Thermistor Ass'y KTEC-35-S85	1	8FA-0-5259-06300
49	628 033 3456	Fixture Cord	2	731-2-5323-12200
* 50	623 172 5422	Indicator Lamp Ass'y IND-KRP80A	1	854-0-5161-02000

NOTE: Metal and plastic parts will be supplied basically with necessary heat insulation pads or packing. Each key number with an asterisk (\*) means the recommended service parts.

To ensure correct parts supply, please let us know followings,  
when you make service parts order:

1.Part No. 2.Description 3.Q'ty 4.Volts-Hz-Ph 5.Product Model No.

KHX2452  
INDOOR UNIT

Key No.	Part No.	Description	Q'ty	Reference No.
* 51	623 176 0508	Magnetic Coil UKV-U031E	1	1FA-4-L8A0-31100
* 52	623 175 2336	Solenoid Control Valve UKV-25D32	1	854-2-4548-20300
* 53	638 004 0728	Check Valve Ass'y	1	854-0-4518-16600
	623 201 1050	Operation Manual	1	854-6-4189-83700

NOTE: Metal and plastic parts will be supplied basically  
with necessary heat insulation pads or packing.  
Each key number with an asterisk (\*) means the  
recommended service parts.

For Parts or Service Contact  
SANYO HVAC SERVICE CENTER  
SANYO Fisher Service Company  
1165 Allgood Road, Suite 22, Marietta, GA 30062 U.S.A.  
300 Applewood Crescent, Concord, Ontario, L4K 5C7, CANADA  
11/06 Printed in Japan