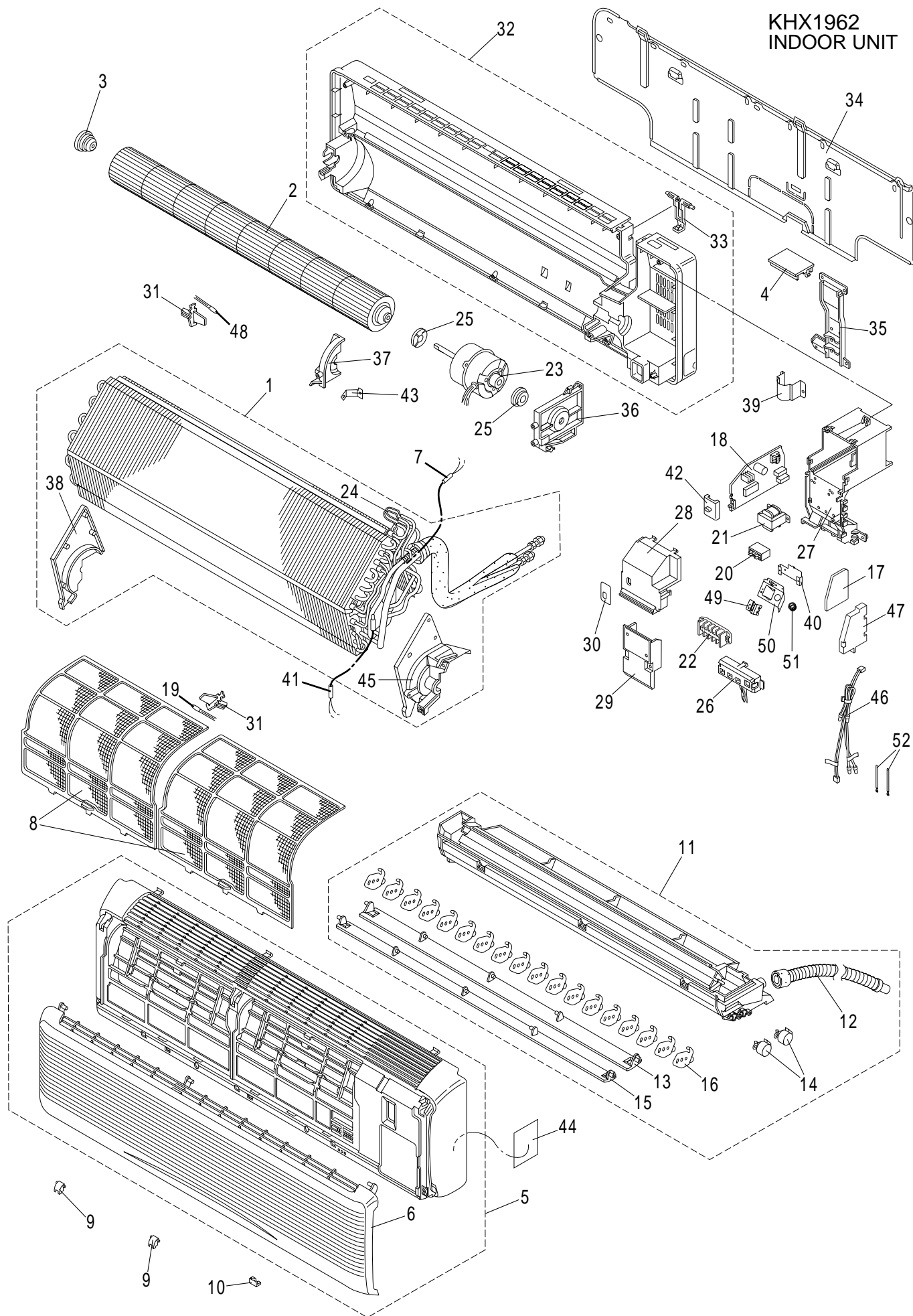


KHX1962  
INDOOR UNIT



**ATTENTION !**

To ensure correct parts supply, please let us know followings,  
when you make service parts order:

1.Part No. 2.Description 3.Q'ty 4.Volts-Hz-Ph 5.Product Model No.

KHX1962  
INDOOR UNIT

| KeyNo. | Part No.     | Description                        | Q'ty | Reference No.    |
|--------|--------------|------------------------------------|------|------------------|
| * 1    | 623 313 3478 | Heat Exch Ass'y                    | 1    | 854-0-4124-76710 |
| * 2    | 623 157 2798 | Cross-Flow Fan Ass'y FRS-10085-AAS | 1    | 852-0-2509-22400 |
| * 3    | 623 094 4466 | Bearing Housing Ass'y              | 1    | 852-0-2510-12800 |
| 4      | 623 161 0605 | Cover                              | 1    | 852-2-2369-35411 |
| 5      | 623 192 7666 | Air Intake Grille Ass'y            | 1    | 854-0-1110-20800 |
| 6      | 623 179 4053 | Ornamental Plate Ass'y             | 1    | 852-0-1516-13600 |
| * 7    | 623 313 3409 | Thermistor Ass'y PBC-41E-S42-1     | 1    | 8FA-0-5259-51900 |
| 8      | 623 161 0360 | Air Filter Ass'y                   | 2    | 852-0-2307-27902 |
| 9      | 623 161 0469 | Cap                                | 2    | 852-2-2350-18211 |
| 10     | 623 161 0452 | Cap                                | 1    | 852-2-2350-18311 |
| 11     | 623 192 7680 | Blade Louver Ass'y                 | 1    | 854-0-1505-39700 |
| 12     | 623 157 2842 | Drain Hose Ass'y                   | 1    | 852-0-1303-24100 |
| 13     | 623 161 0421 | Flap                               | 1    | 852-2-1523-23011 |
| * 14   | 623 188 6031 | Step Motor MP24Z8-12V              | 2    | 1FA-4-M3A0-01600 |
| 15     | 623 161 0438 | Flap                               | 1    | 852-2-1523-22911 |
| 16     | 623 161 0414 | Blade                              | 18   | 852-2-1519-28211 |
| * 17   | 623 192 7734 | P.C.B. Ass'y POW-KH2672R           | 1    | 8FA-0-5178-67800 |
| * 18   | 623 188 6055 | Circuit Board Ass'y CB-KR254GXH56A | 1    | 854-9-9536-05233 |
| * 19   | 623 313 3423 | Thermistor Ass'y KTEC-35-S6        | 1    | 8FA-0-5259-51700 |
| * 20   | 638 007 0572 | Fixed Capacitor CMPS UP44B185JMF   | 1    | 4-2239-56845     |
| * 21   | 623 201 1128 | Transformer Ass'y ATR-IIK244F-T-R  | 1    | 8FA-0-5263-06400 |
| * 22   | 623 172 5446 | Terminal Base KT15-5J-SA2030       | 1    | 1FA-4-J3A0-16400 |
| * 23   | 623 192 7697 | Fan Motor KFT4Q-31A6P-C            | 1    | 1FA-4-M1A0-16406 |
| 24     | 623 171 9650 | Capillary Tube                     | 2    | 852-2-4268-30600 |
| 25     | 623 187 0641 | Cushion Rubber                     | 2    | 854-2-2534-23500 |
| * 26   | 623 172 5422 | Indicator Lamp Ass'y IND-KRP80A    | 1    | 854-0-5161-02000 |
| 27     | 623 161 0544 | Elec.Component Box                 | 1    | 852-2-5307-60611 |
| 28     | 623 161 0537 | Cover,Elec.Component Box           | 1    | 852-2-5315-37911 |
| 29     | 623 161 0520 | Terminal Cover Ass'y               | 1    | 852-0-5309-01400 |
| 30     | 623 157 3023 | Ornament                           | 1    | 852-2-1513-67901 |
| 31     | 623 172 5507 | Mounting Thermostat                | 2    | 852-2-5303-25101 |
| 32     | 623 161 0506 | Frame Ass'y                        | 1    | 852-0-2201-33200 |
| 33     | 623 154 7604 | Mounting, Tube                     | 1    | 852-2-2362-22411 |
| 34     | 623 157 3016 | Rear Panel                         | 1    | 852-2-2230-17100 |
| 35     | 623 161 0582 | Mounting, Tube                     | 1    | 852-2-2362-24111 |
| 36     | 623 161 0575 | Mounting Plate, Fan Motor          | 1    | 852-2-2520-24111 |
| 37     | 623 161 0568 | Mounting Plate, Fan Motor          | 1    | 852-2-2520-24211 |
| 38     | 623 192 7741 | Mounting Plate Ass'y               | 1    | 854-0-2323-71110 |
| 39     | 623 157 3047 | Mounting, Tube                     | 1    | 852-2-2362-24410 |
| 40     | 623 311 9731 | Mounting Plate                     | 1    | 854-2-5309-36300 |

NOTE: Metal and plastic parts will be supplied basically  
with necessary heat insulation pads or packing.  
Each key number with an asterisk (\*) means the  
recommended service parts.

## ATTENTION !

To ensure correct parts supply, please let us know followings,  
when you make service parts order:

1.Part No. 2.Description 3.Q'ty 4.Volts-Hz-Ph 5.Product Model No.

KHX1962  
INDOOR UNIT

| KeyNo. | Part No.     | Description                  | Q'ty | Reference No.    |
|--------|--------------|------------------------------|------|------------------|
| * 41   | 623 313 3454 | Thermistor Ass'y PBC-41E-S4  | 1    | 8FA-0-5259-51800 |
| 42     | 623 151 2800 | Knob                         | 1    | 852-2-5323-11201 |
| 43     | 623 157 3030 | Mounting Plate               | 1    | 852-2-2309-84610 |
| 44     | 623 313 3492 | Elec. Wiring Diagram         | 1    | 8FA-2-5250-73900 |
| 45     | 623 192 7758 | Mounting Plate Ass'y         | 1    | 854-0-2323-68410 |
| * 46   | 623 179 4121 | Wire Ass'y                   | 1    | 8FA-0-5285-15800 |
| 47     | 623 172 7006 | Holder                       | 1    | 852-2-5377-11200 |
| * 48   | 623 313 3485 | Thermistor Ass'y KTEC-35-S85 | 1    | 8FA-0-5259-44800 |
| 49     | 623 311 9748 | Mounting Plate               | 1    | 854-2-5309-41601 |
| 50     | 623 313 3461 | Mounting Plate Ass'y         | 1    | 854-0-2323-77801 |
| 51     | 623 038 3425 | Bushing OCB-875              | 1    | 851-2-5370-00900 |
| 52     | 628 033 3456 | Fixture Cord                 | 2    | 731-2-5323-12200 |
|        | 623 311 7140 | Operation Manual             | 1    | 854-6-4609-01800 |

NOTE: Metal and plastic parts will be supplied basically  
with necessary heat insulation pads or packing.  
Each key number with an asterisk (\*) means the  
recommended service parts.

For Parts or Service Assistance please contact your local Sanyo HVAC Contractor or Distributor

United States: SCS, HVAC Solutions

Web: [www.SanyoHVAC.com](http://www.SanyoHVAC.com)

Parts: [hvac.parts@sna.sanyo.com](mailto:hvac.parts@sna.sanyo.com)

Service: [hvac.service@sna.sanyo.com](mailto:hvac.service@sna.sanyo.com)

Canada: Sanyo Canada Inc.

Web: [www.SanyoHVAC.com](http://www.SanyoHVAC.com)

Parts/Service: [hvac@sci.sanyo.com](mailto:hvac@sci.sanyo.com)

Dec / '09 Printed in U.S.A