

Service Manual

Rechargeable Shaver

Model No. **ES-LV95**

Model No. **ES-LV65**

North America
Latin America



⚠ WARNING

This service information is designed for experienced repair technicians only and is not designed for use by the general public. It does not contain warnings or cautions to advise non-technical individuals of potential dangers in attempting to service a product. Products powered by electricity should be serviced or repaired only by experienced professional technicians. Any attempt to service or repair the product or products dealt with in this service information by anyone else could result in serious injury or death.

IMPORTANT SAFETY NOTICE

There are special components used in this equipment which are important for safety. These parts are marked by **⚠** in the Schematic Diagrams, Circuit Board Diagrams, Exploded Views and Replacement Parts List. It is essential that these critical parts should be replaced with manufacturer's specified parts to prevent shock, fire or other hazards. Do not modify the original design without permission of manufacturer.

TABLE OF CONTENTS

	PAGE	PAGE
1 Warning-----	2	
2 Specifications -----	2	
3 Troubleshooting Guide-----	3	
4 Disassembly and Assembly Instructions -----	8	
5 Schematic Diagram-----	13	
6 Exploded View and Replacement Parts List -----	14	

1 Warning

Caution:

- Pb free solder has a higher melting point than standard solder; Typically the melting point is 50 - 70°F (30 - 40°C) higher. Please use a soldering iron with temperature control and adjust it to 750 ± 20°F (400 ± 10°C). In case of using high temperature soldering iron, please be careful not to heat too long.
- Pb free solder will tend to splash when heated too high (about 1100°F / 600°C).


2 Specifications

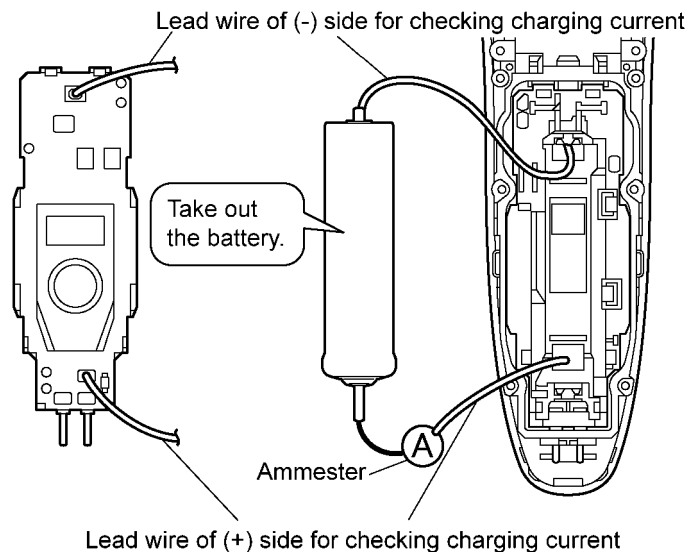
Power source	AC 100-240V, 50-60Hz (Automatic voltage conversion)
Power consumption	Approx. 10W (when charging)
Charging time	1 Hour
Shaves per charge	14 times (3 minutes shave)
Weight	200g (without cap)

Supplied accessories	Self-cleaning recharger (ES-LV95 only)
	Soft case

3 Troubleshooting Guide

3.1. Main unit and charging adaptor

<TROUBLE>	<CHECK>	<REMEDY>
Motor does not rotate. Does not charge. Functions for a moment and stops.	<p align="center"><CHECK CHARGING ADAPTOR.></p> Supply the rated voltage to the adaptor. And confirm the continuity. OK if it is approx. DC6V between the terminals of the plug at the no-load operation.	NO → Replace charging adaptor.
	↓ OK	
	<p align="center"><CHECK RECHARGEABLE BATTERY.></p> Okay if the voltage of rechargeable battery is more than approximately 3.6V DC between (+) and (-) terminal.	NO → Replace rechargeable battery.
	↓ OK	
	<p align="center"><CHECK MODULE.></p> Wire the main unit returned from a customer refer with the following figure, and connect the rated voltage to it by the normal adaptor. When switching ON and OFF, check if the indicator  of LCD is lid for ES-LV95 or RED LED is lid for ES-LV65. Discharge the battery completely and check charging current, if it is more than 600-800mA when connecting the charging adaptor..	NO → Check the soldering points. ↓ OK Replace module.
	↓ OK	
	<p align="center"><CHECK LINEAR MOTOR.></p> Wire the main unit returned from a customer refer with the following figure, and connect the rated voltage to it by the normal adaptor. When switching ON and OFF, check if motor rotates. (Once the battery is replaced, the battery needs to charge for a while, otherwise linear motor may not operate.)	NO → Replace linear motor assembly.

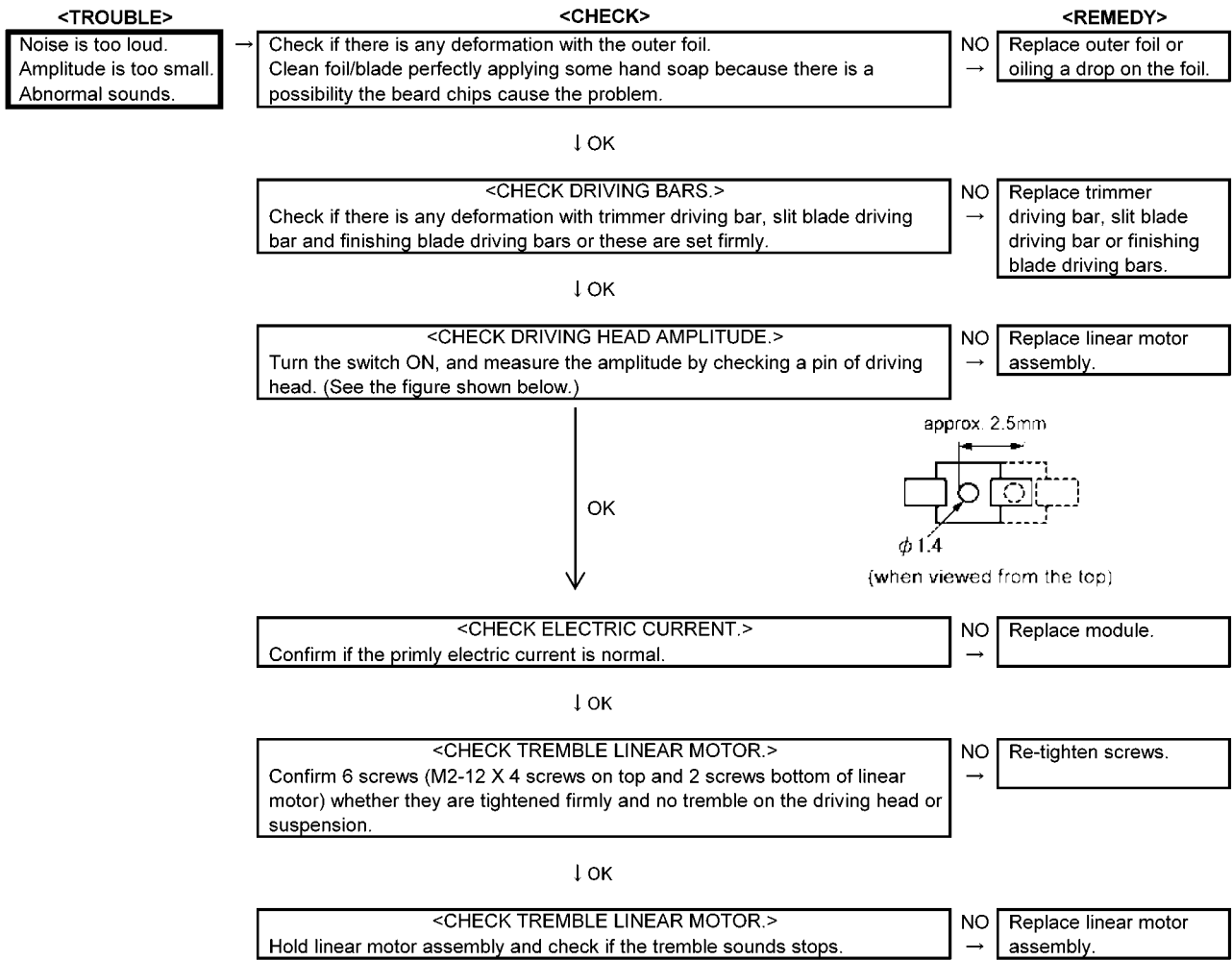


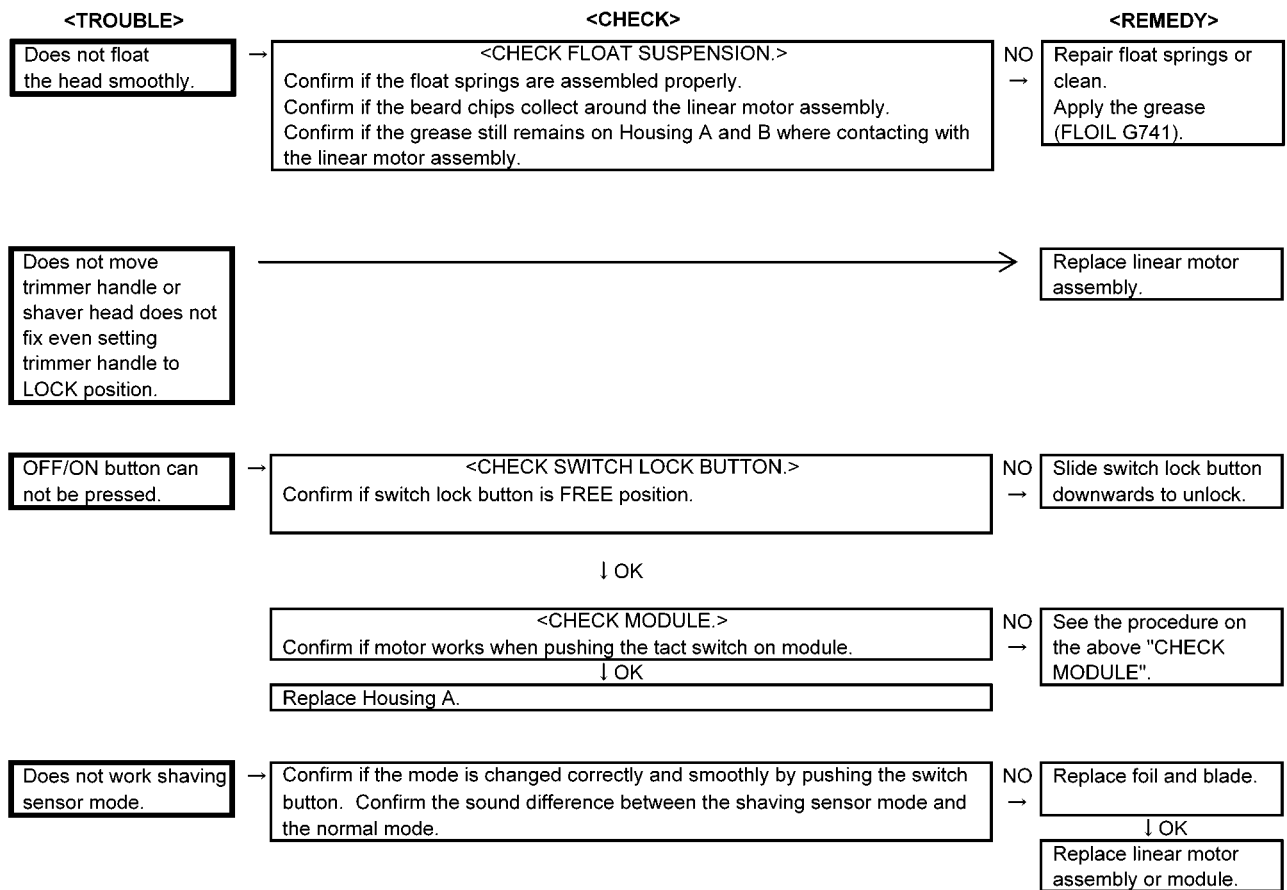
NOTE:

Once taking the battery out, the shaver is RESET. The shaver must be charged for several seconds first.

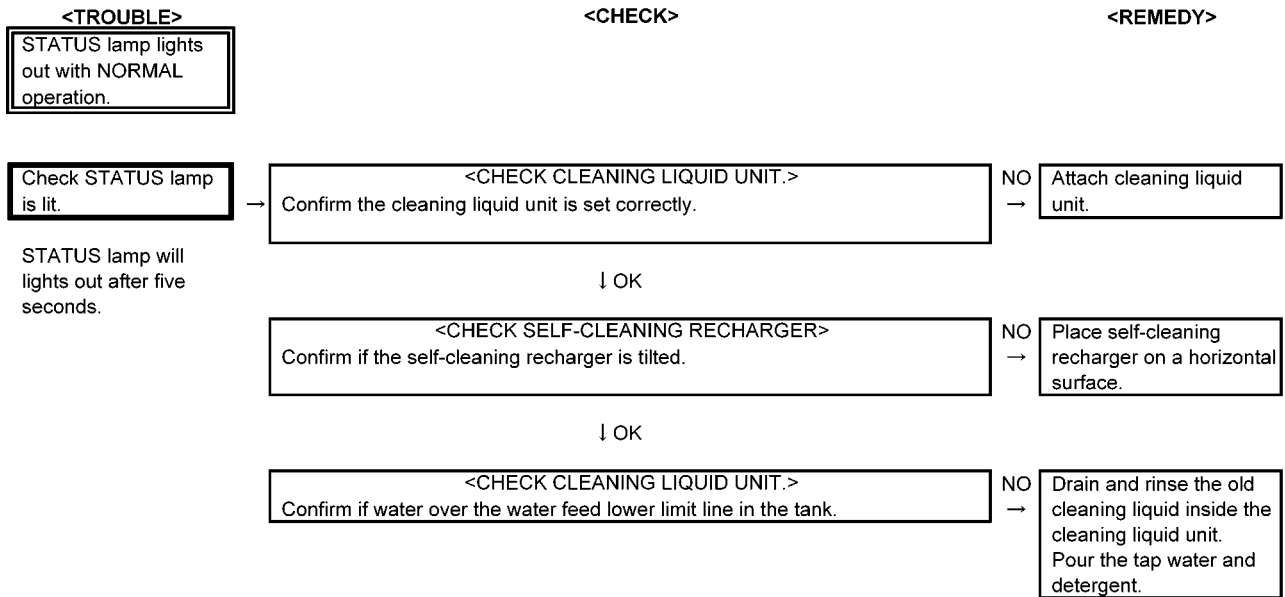
NOTE:

Completely discharge and then fully charge before returning the shaver to the customer.

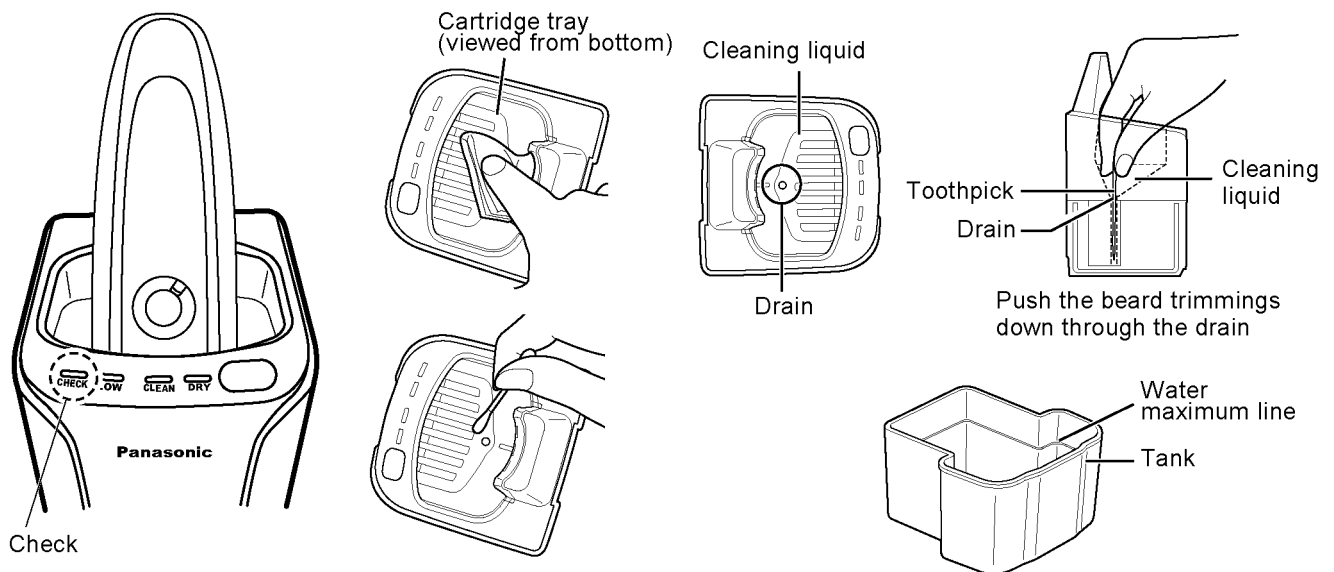




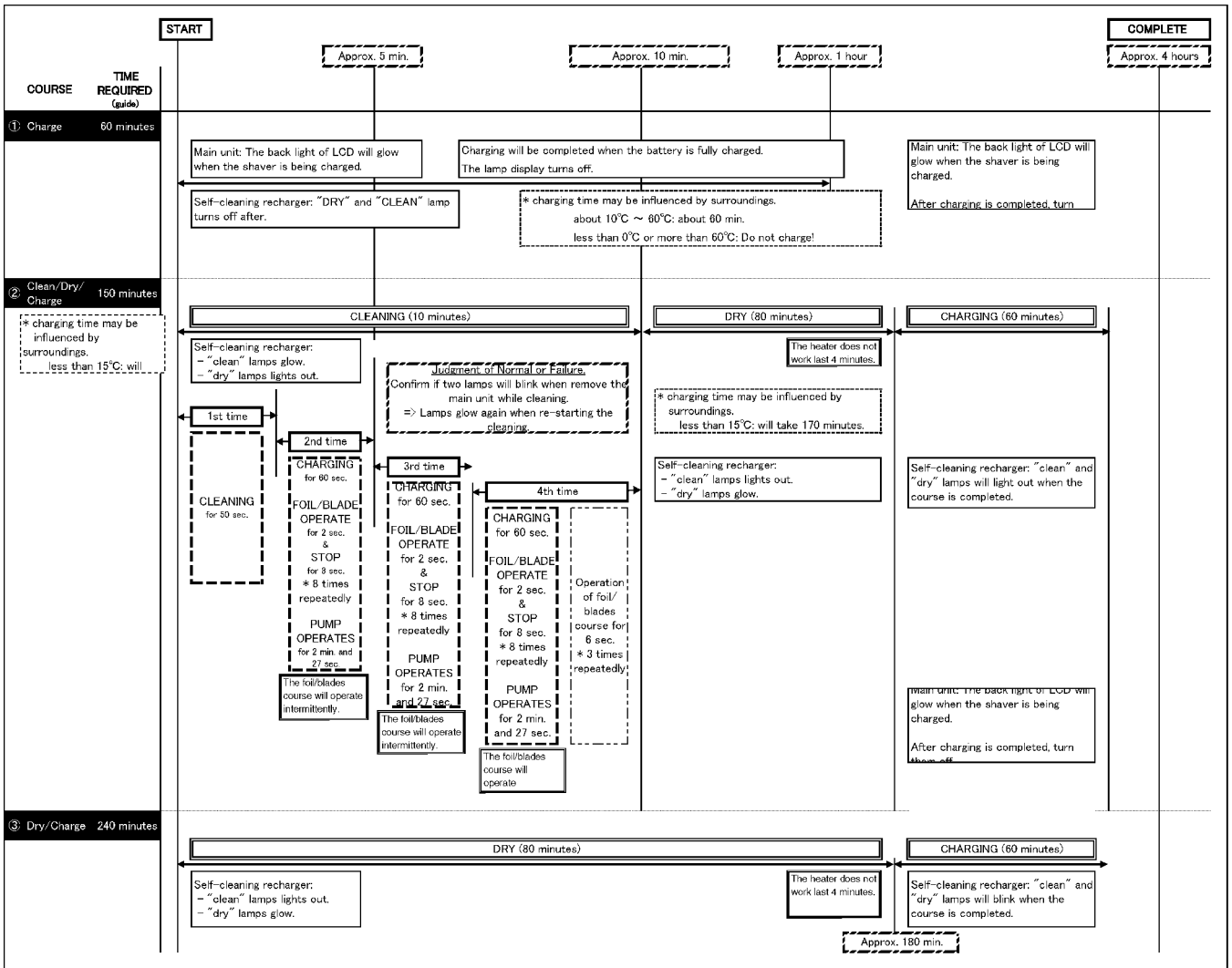
3.2. Self-cleaning recharger (ES-LV95 only)



Too much cleaning liquid remains the tray.
 (Phenomenon)
 The cleaning liquid remains the tray even the course is completed normally.
 (Action)
 Clean the drain holes as pointed with the circle down below.
 Confirm if water under the maximum water line in the tank.



3.3. Operation of self-cleaning recharger (ES-LV95 only)



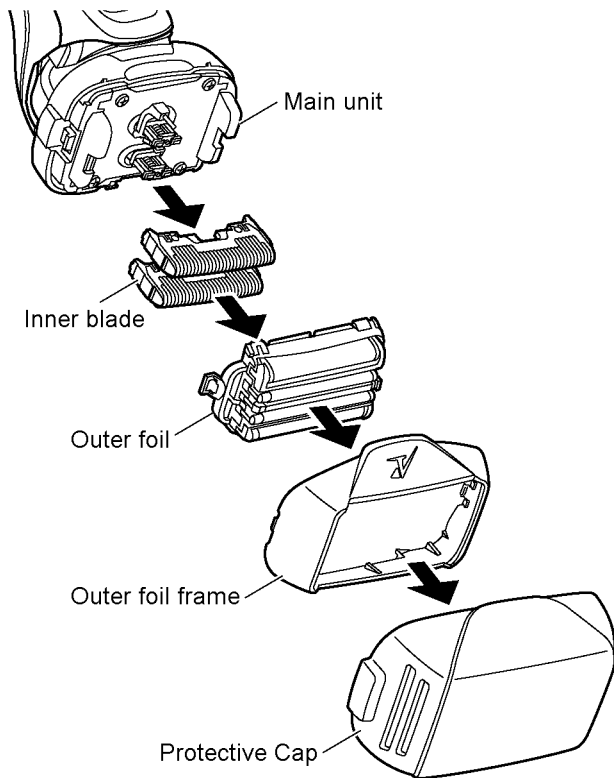
Mode	Time required (guide)
1 Charge	<p>Charge</p> <p>0 to 60 min</p> <p>CLEAN DRY</p>
2 Clean/Dry/Charge	<p>Clean 10 min</p> <p>Dry 80 min (170 min*)</p> <p>Charge 0 to 60 min</p> <p>CLEAN DRY → CLEAN DRY → CLEAN DRY</p> <p>* It is not possible to change the mode after the "Clean/Dry/Charge" mode has started.</p>
3 Dry/Charge	<p>Dry 180 min</p> <p>Charge 0 to 60 min</p> <p>CLEAN DRY → CLEAN DRY</p> <p>* It is possible to change to the "Clean/Dry/Charge" mode even after the "Dry/Charge" mode has started.</p>

4 Disassembly and Assembly Instructions

4.1. Disassembly instructions

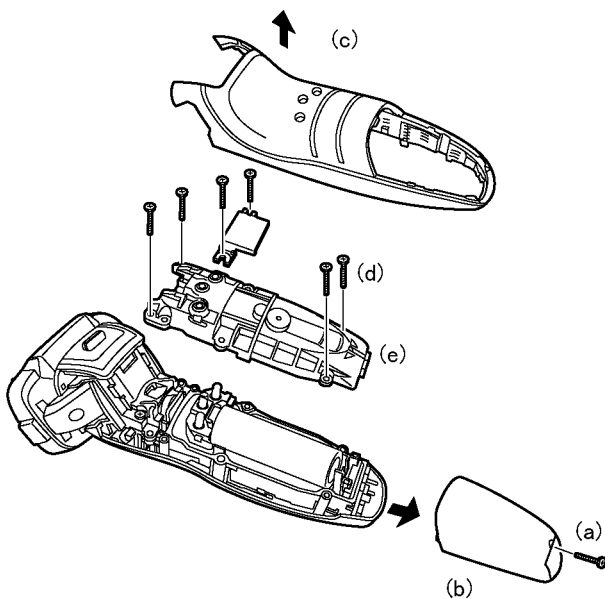
Follow the procedure below to disassemble the main unit.

1. Remove the cap, the outer foil with outer foil frame and the inner blades.

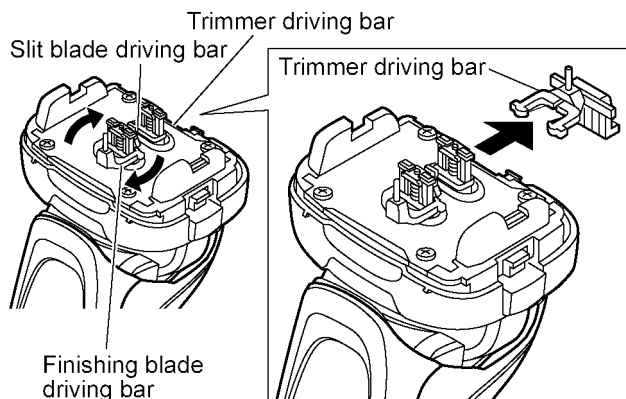


2. How to disassemble the housing A and B.

- a) Loosen a screw.
- b) Remove the bottom cover.
- c) Remove the rear panel.
- d) Loosen 6 screws.
- e) Remove the housing B.



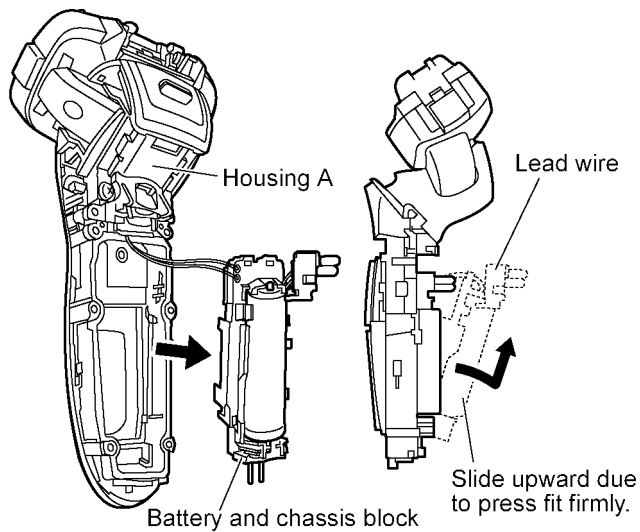
3. To remove the trimmer driving bar, finishing blade driving bar or the slit blade driving bar, press bars outward.



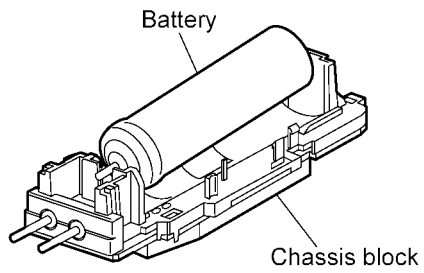
4. Pull up the battery and chassis block from the linear motor side first. Then, slide it upward and take it out from the housing A.

NOTE:

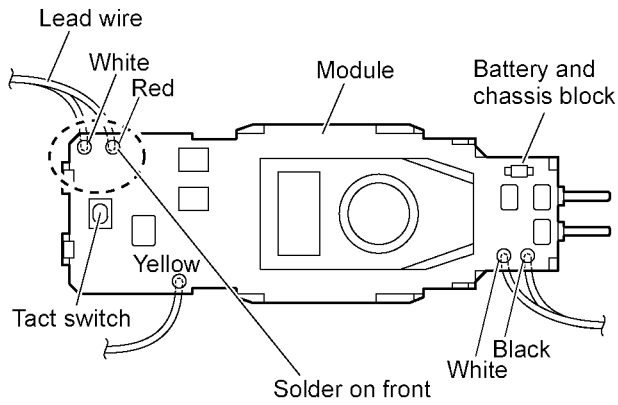
Do not pull the battery and chassis block forcefully due to connecting the linear motor by the lead wires.



5. Take out the battery from the chassis.

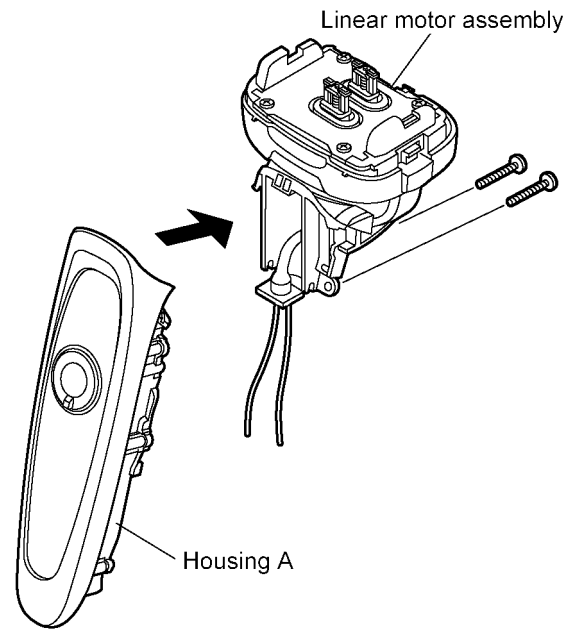


6. Unsolder the lead wires from the module.



7. Loosen two screws.

8. Move gently the linear motor assembly down and unhook it and remove the float springs from housing A.



4.2. Caution in assembly

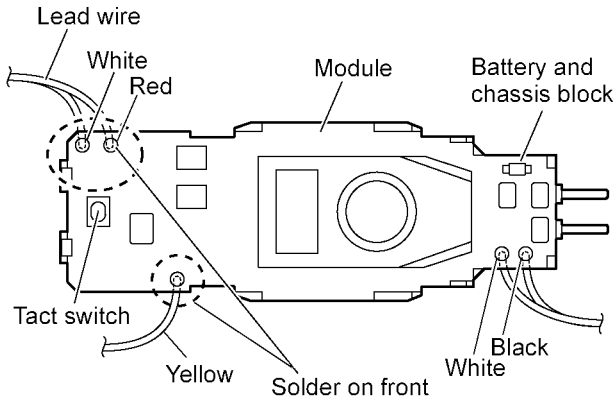
NOTE:

When reassembling, replace the new waterproof seal. Make sure whether there is NO foreign substance sticking around a part covered with waterproof seal.

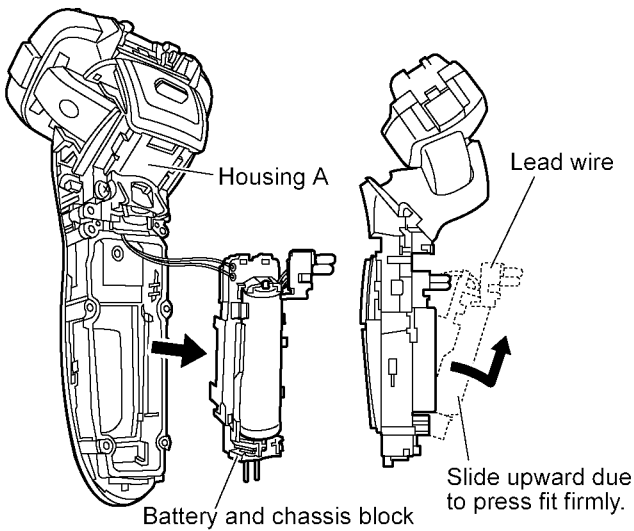
1. Solder the lead wires with the module.

NOTE:

Make sure of the color of lead wires.



2. Attach the tube holder. Tighten two screws between the linear motor assembly and the housing A.
3. When inserting the module and chassis block into the housing A, confirm if the module does not get any damage or deformation.



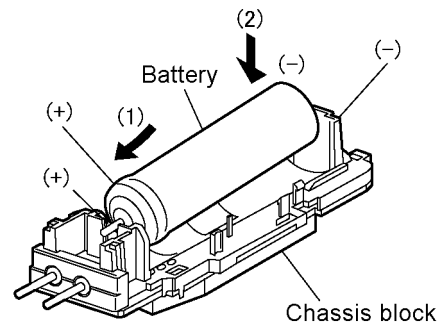
4. Make sure that the lead wires set in position to avoid abnormal noise. Install (+) terminal of battery into the terminal plate at the bottom cover side and firmly set the battery sliding the direction of arrow. Attach (-) terminal of battery.

NOTE:

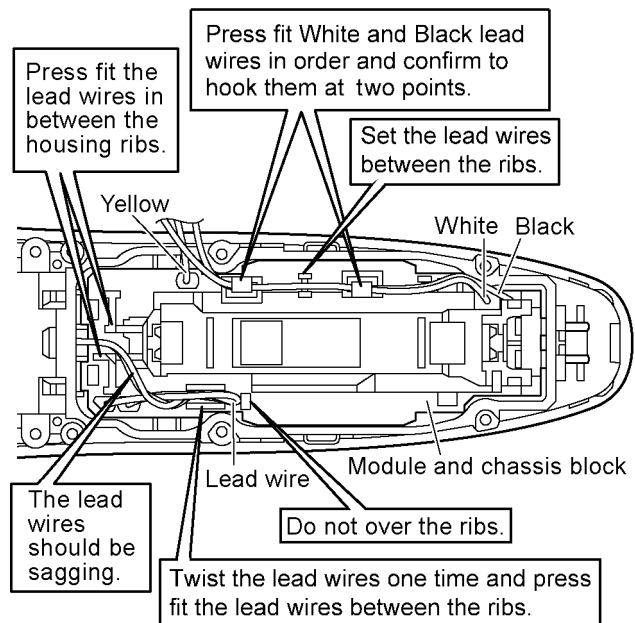
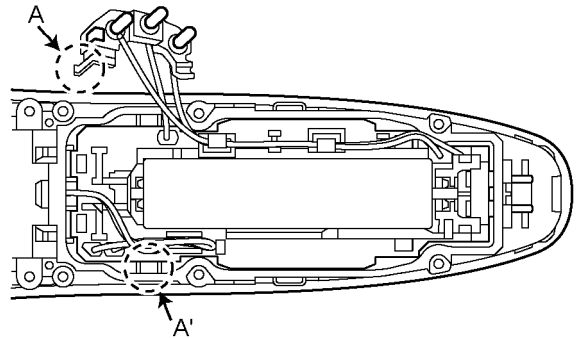
Once taking the battery out, the shaver is RESET. The shaver must be charged for about 10 seconds first.

NOTE:

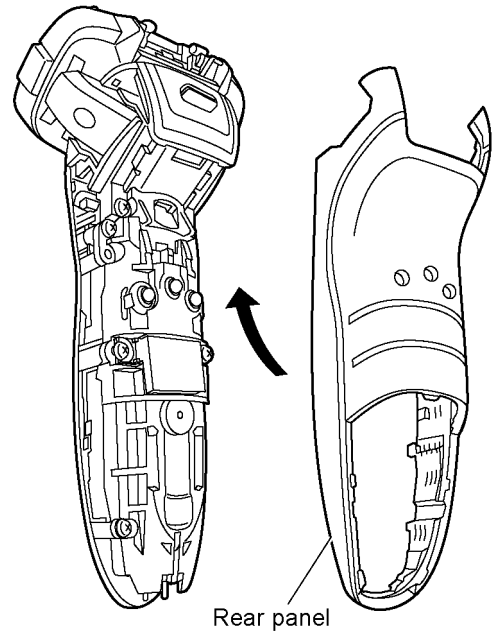
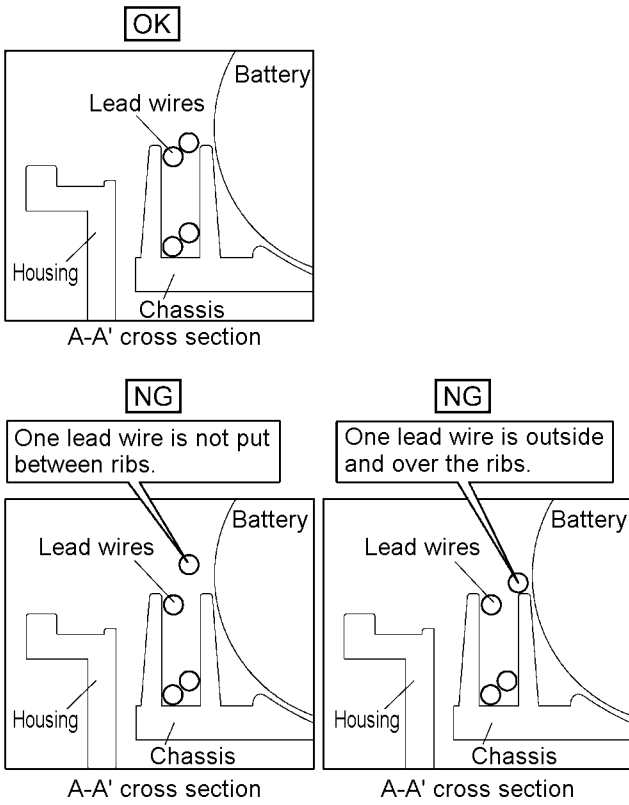
Completely discharge and then fully charge before returning the shaver to the customer.



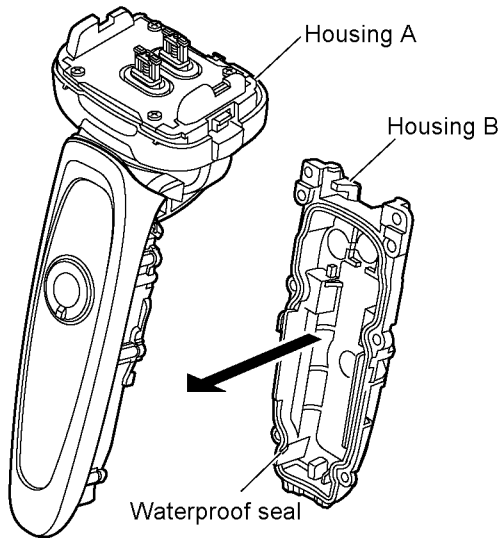
The projection A should be set into the place A'.



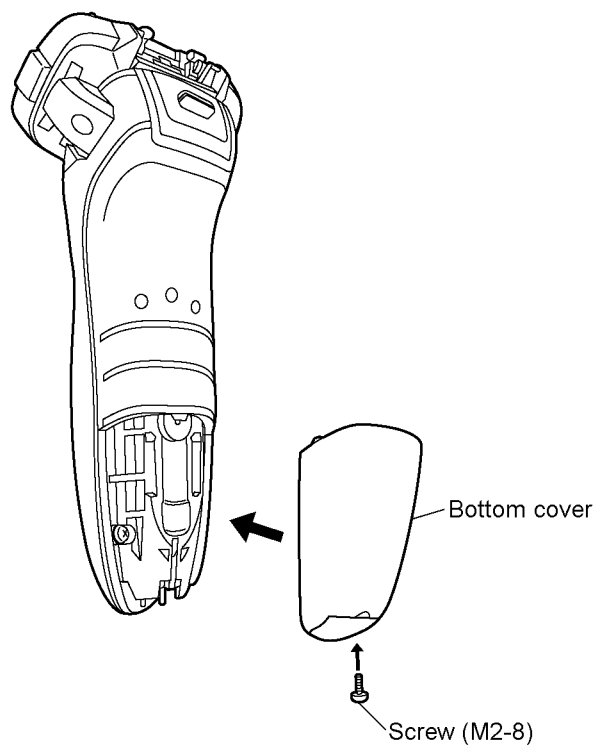
6. Tighten six screws and attach the rear panel firmly.



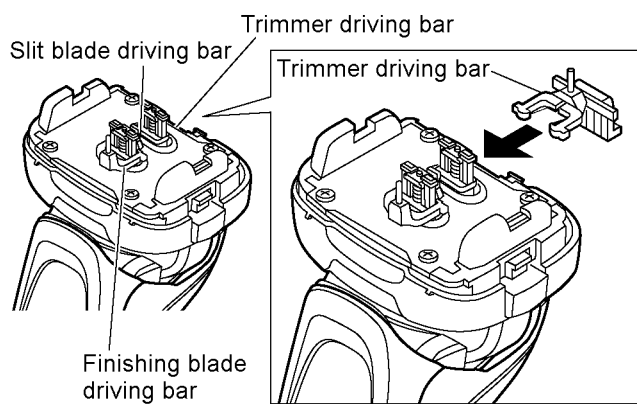
5. When putting the housing A and the housing B together, make sure if the waterproof seal must be fitted properly and no foreign substance sticking around.



7. Attach the bottom cover and tighten a screw.

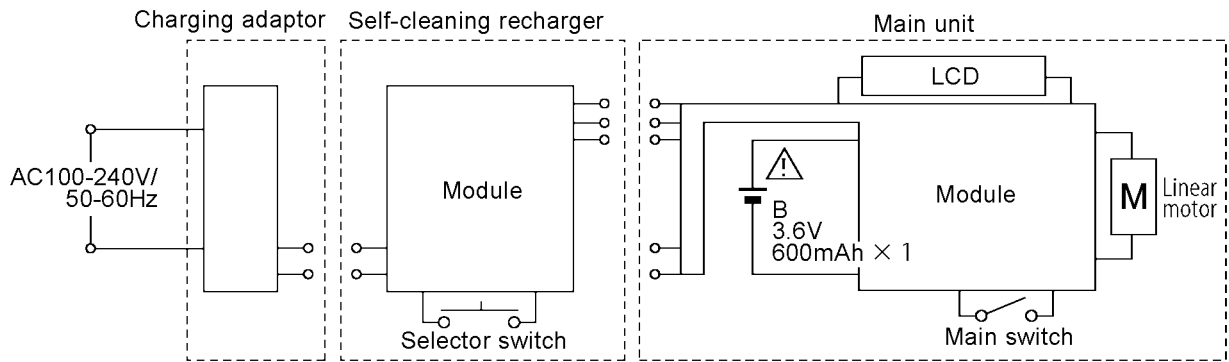


8. Set the trimmer driving bar, the finishing blade driving bar and the slit blade driving bar.

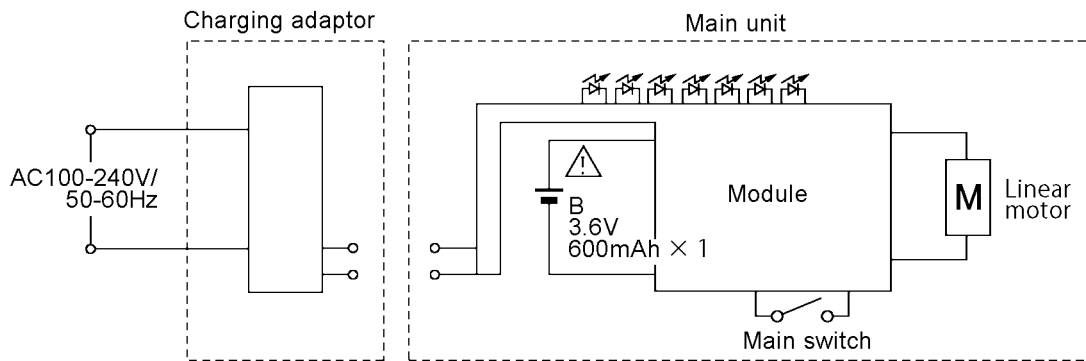


5 Schematic Diagram

5.1. ES-LV95

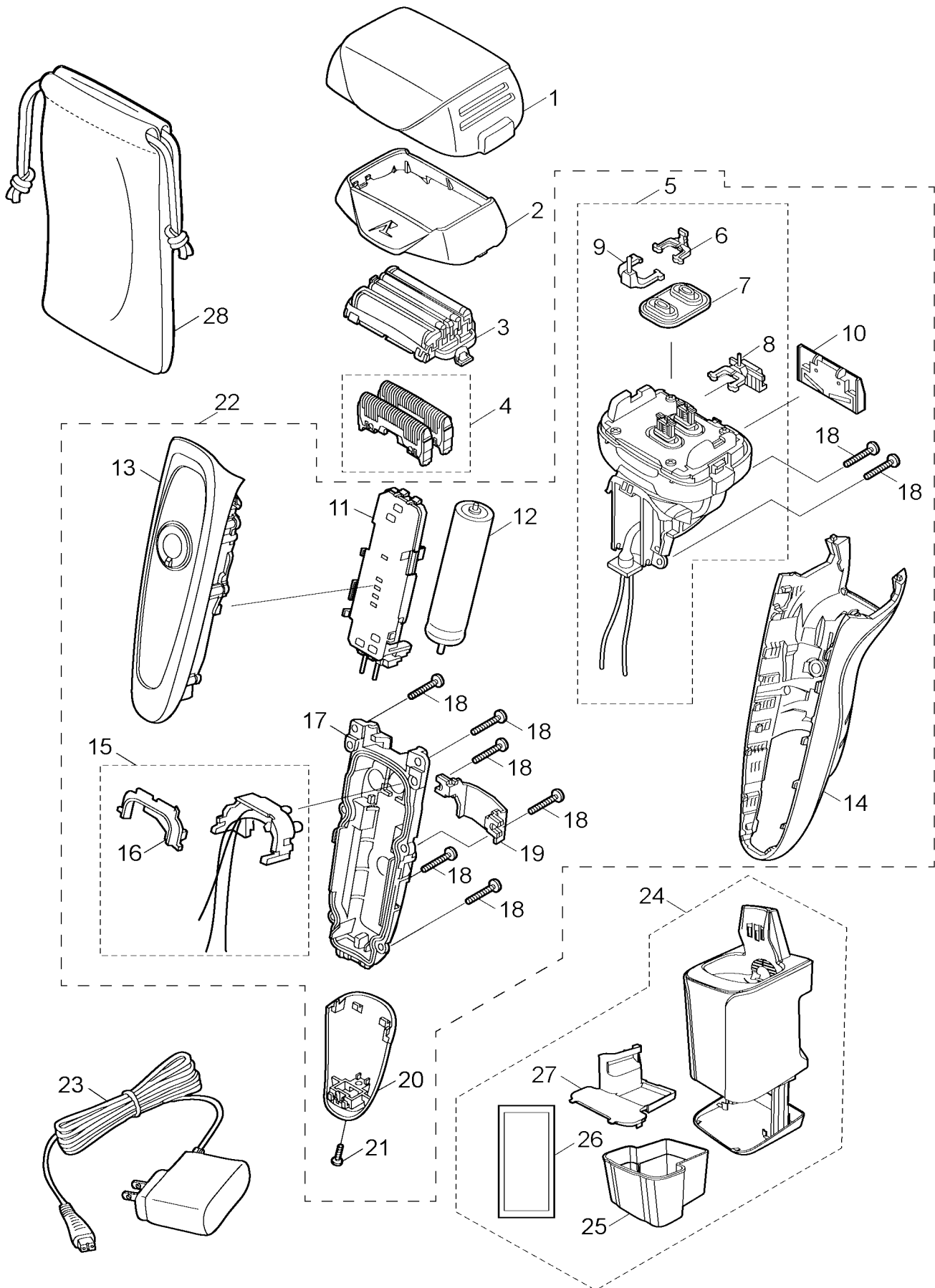


5.2. ES-LV65



6 Exploded View and Replacement Parts List

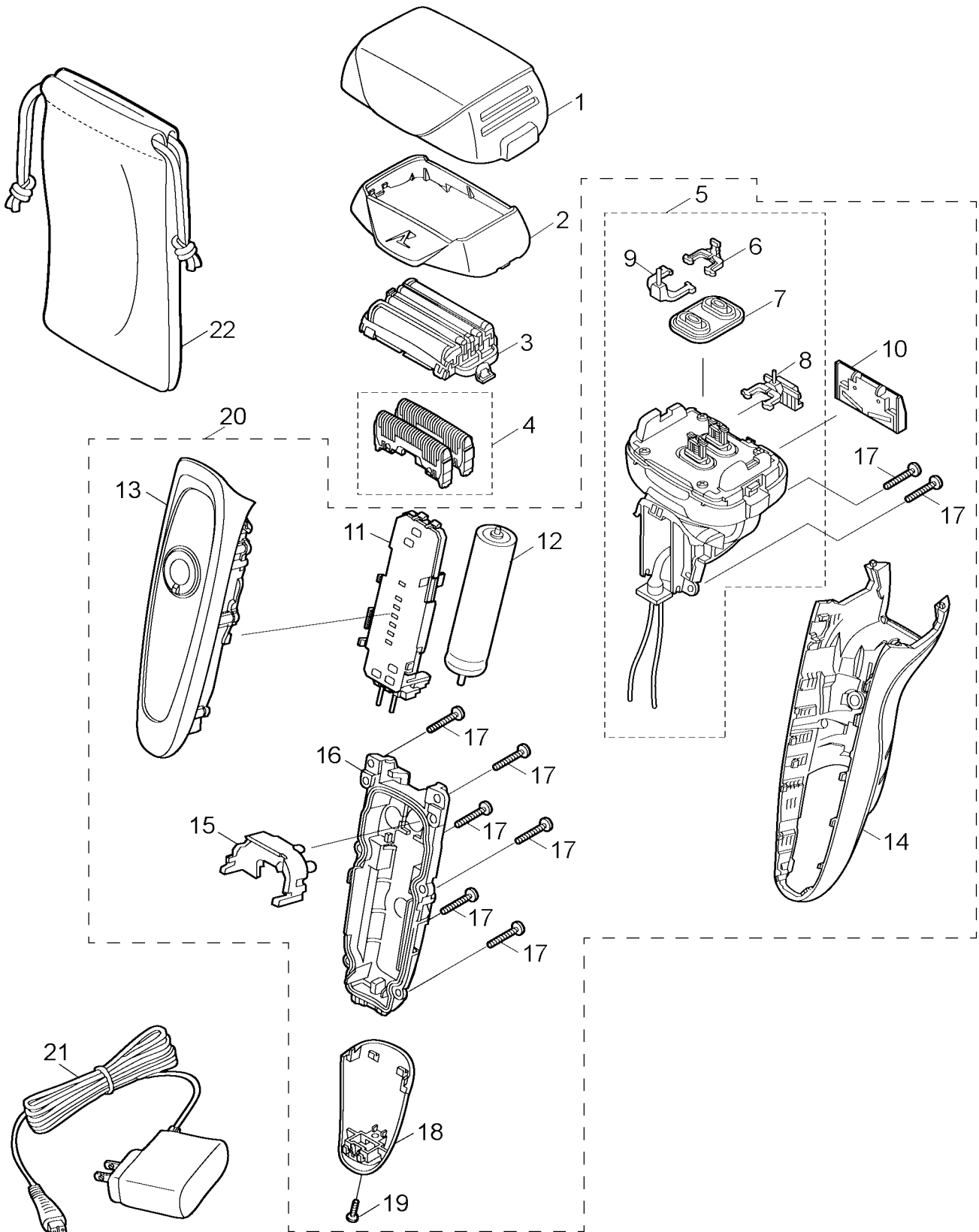
6.1. Exploded View for ES-LV95



6.2. Replacement Parts List for ES-LV95

Safety	Ref. No.	Part No.	Part Name & Description	Quantity	Remarks
	1	WESLV94X7158	PROTECTIVE CAP	1	
	2	WESELV9S0047	FOIL FRAME	1	
	3	WES9173P	SYSTEM OUTER FOIL	1	
	4	WES9170P	INNER BLADE	1ST	
	5	WESELV9L1007	LINEAR MOTOR ASSEMBLY	1	
	6	WESELV90L1077	SLIT BLADE DRIVING BAR	1	
	7	WESLV90L0327	WATERPROOF RUBBER	1	
	8	WESLV90L1087	TRIMMER DRIVING BAR	1	
	9	WESLV90L1177	FINISHING BLADE DRIVING BAR	1	
	10	WESELV9L1507	TRIMMER	1	
	11	WESLV95L2128	MODULE	1	
	12	WESLV95L2508	RECHARGEABLE BATTERY	1	LM-ION TYPE
	13	WESLV95S3058	HOUSING A	1	
	14	WESELV9K3367	REAR PANEL	1	
	15	WES8258L0497	TERMINAL BASE	1	
	16	WES8238H0527	TERMINAL COVER	1	
	17	WESLV90H3068	HOUSING B	1	
	18	WES8176L6007	P TIGHT SCREW	8	M2-12
	19	WESLA92L0487	CONNECTING PLATE	1	
	20	WESLV95K3120	BOTTOM COVER	1	
	21	WES8176L6057	TAPPING SCREW	1	M2-8
	22	WESLV95S3030	BODY BLOCK	1	
	23	WESLV81K7P58	AC ADAPTOR	1	A-2 PLUG
	24	WESLV95K4219	SELF-CLEANING RECHARGER	1	
	25	WESLV92K7358	CLEANING LIQUID UNIT	1	
	26	WES4L03-851	DETERGENT	1	(3PCS/BOX)
	27	WESLV92K7367	CLEANING LIQUID FILTER	1	
	28	WESLA92K3747	SOFT CASE	1	
	-	WESLV95S8001	INDIVIDUAL BOX	1	only for U.S.A.
	-	WESLV95S8002	INDIVIDUAL BOX	1	
	-	WESLV95S8100	OPERATING INSTRUCTIONS	1	

6.3. Exploded View for ES-LV65



6.4. Replacement Parts List for ES-LV65

Safety	Ref. No.	Part No.	Part Name & Description	Quantity	Remarks
	1	WESLV94X7158	PROTECTIVE CAP	1	
	2	WESELV8S0047	FOIL FRAME	1	
	3	WES9173P	SYSTEM OUTER FOIL	1	
	4	WES9170P	INNER BLADE	1ST	
	5	WESELV9L1007	LINEAR MOTOR ASSEMBLY	1	
	6	WESLV90L1077	SLIT BLADE DRIVING BAR	1	
	7	WESLV90L0327	WATERPROOF RUBBER	1	
	8	WESLV90L1087	TRIMMER DRIVING BAR	1	
	9	WESLV90L1177	FINISHING BLADE DRIVING BAR	1	
	10	WESELV9L1507	TRIMMER	1	
	11	WESLV65L2128	MODULE	1	
	12	WESLV95L2508	RECHARGEABLE BATTERY	1	LM-ION TYPE
	13	WESLV65S3058	HOUSING A	1	
	14	WESELV9K3367	REAR PANEL	1	
	15	WESLA54L0497	REAR COVER	1	
	16	WESLV90H3068	HOUSING B	1	
	17	WES8176L6007	P TIGHT SCREW	8	M2-12
	18	WESLV65K3120	BOTTOM COVER	1	
	19	WES8176L6057	TAPPING SCREW	1	M2-8
	20	WESLV65S3030	BODY BLOCK	1	
	21	WESLV81K7P58	AC ADAPTOR	1	A-2 PLUG
	22	WESLA92K3747	SOFT CASE	1	
	-	WESLV65S8001	INDIVIDUAL BOX	1	
	-	WESLV65S8002	INDIVIDUAL BOX	1	only for Canada
	-	WESLV65S8100	OPERATING INSTRUCTIONS	1	