

Service Manual

Epilator

Model No. **ES-ED90**

North America



⚠ WARNING

This service information is designed for experienced repair technicians only and is not designed for use by the general public. It does not contain warnings or cautions to advise non-technical individuals of potential dangers in attempting to service a product. Products powered by electricity should be serviced or repaired only by experienced professional technicians. Any attempt to service or repair the product or products dealt with in this service information by anyone else could result in serious injury or death.

IMPORTANT SAFETY NOTICE

There are special components used in this equipment which are important for safety. These parts are marked by **⚠** in the Schematic Diagrams, Circuit Board Diagrams, Exploded Views and Replacement Parts List. It is essential that these critical parts should be replaced with manufacturer's specified parts to prevent shock, fire or other hazards. Do not modify the original design without permission of manufacturer.

TABLE OF CONTENTS

	PAGE	PAGE
1 Warning	2	
2 Specifications	2	
3 Exploded View and Replacement Parts List	3	

1 Warning

Caution:

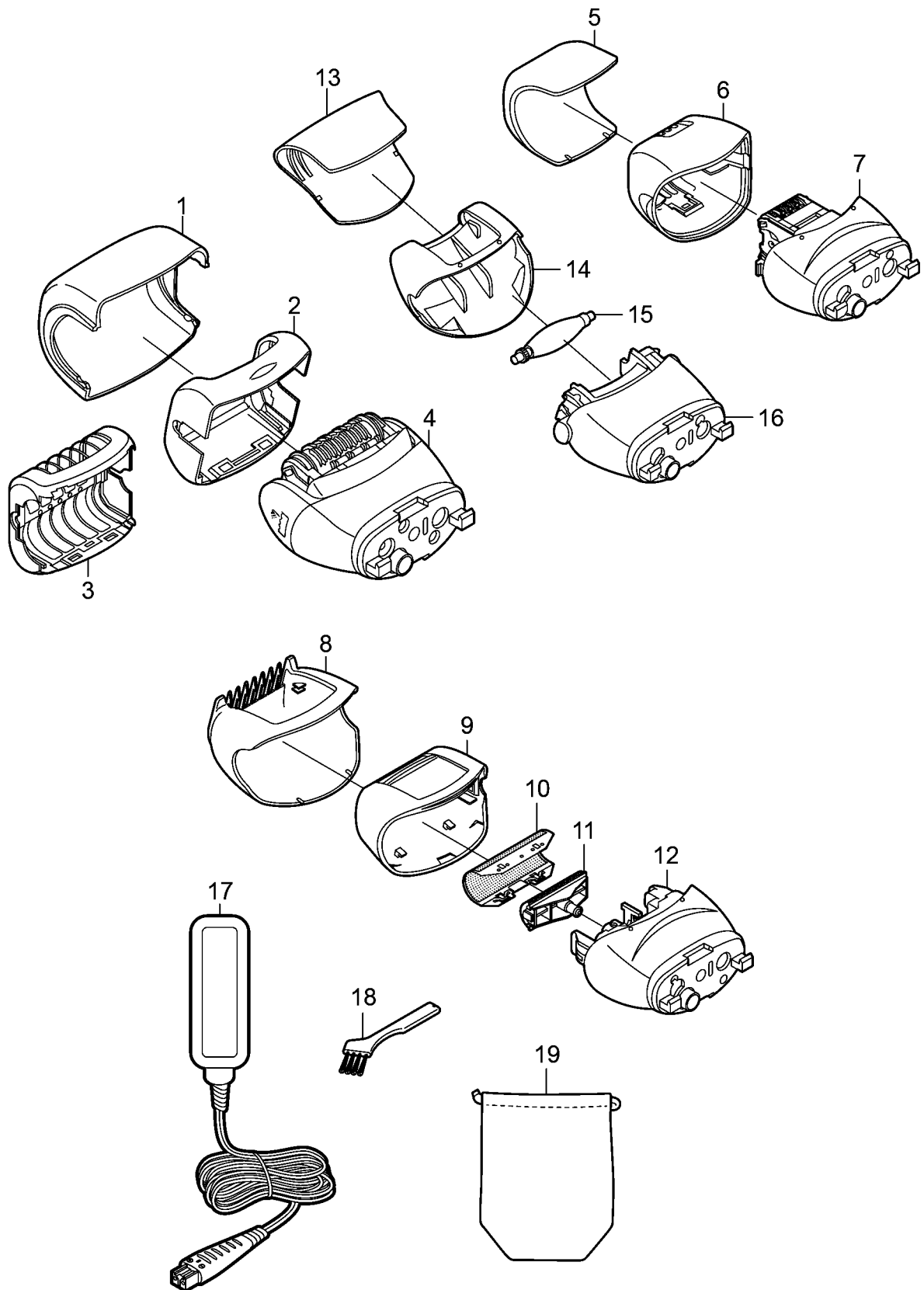
- Pb free solder has a higher melting point than standard solder; Typically the melting point is 50 - 70°F (30 - 40°C) higher. Please use a soldering iron with temperature control and adjust it to 750 ± 20°F (400 ± 10°C). In case of using high temperature soldering iron, please be careful not to heat too long.
- Pb free solder will tend to splash when heated too high (about 1100°F / 600°C).

2 Specifications

Power source	100-240V AC, 50-60Hz (Automatic voltage conversion)
Charging time	1 hour
Power consumption	Approx. 5W (when charging)
Dimension	12.6 (H) X 5.5 (W) X 4.1 (D) cm
Weight	Approx. 170g with Epilation head for underarms without Cap
Supplied accessories	Soft case
	Cleaning brush

3 Exploded View and Replacement Parts List

3.1. Exploded View



3.2. Replacement Parts List

Safety	Ref. No.	Part No.	Part Name & Description	Quantity	Remarks
	1	WESED90X7158	PROTECTION CAP	1	
	2	WESED90P3128	FAST CAP	1	
	3	WESED90P3108	GENTLE CAP	1	
	4	WESED90W1068	EPILATION HEAD FOR LEGS/ARMS	1	
	5	WESED90X7168	PROTECTION CAP	1	
	6	WESED90W3128	EPILATION HEAD FRAME	1	
	7	WESED90W1078	EPILATION HEAD FOR UNDERARMS	1	
	8	WESWD51X3557	BIKINI COMB	1	
	9	WESED90W4038	FOIL FRAME	1	
	10	WES9753P	OUTER FOIL	1	
	11	WES9752P	INNER BLADE	1	
	12	WESED90W0788	SHAVER HEAD	1	
	13	WESWD92X7158	PROTECTION CAP	1	
	14	WESWD92W3138	FOOT CARE HEAD FRAME	1	
	15	WESWD92H7178	FILE	1	
	16	WESED90W4068	FILE HEAD	1	
	17	WESED90W7658	POWER ADAPTOR	1	A-2 PLUG
	18	WES2047H6767	CLEANING BRUSH	1	
	19	WESED90W7008	SOFT CASE	1	
	-	WESED90P8001	INDIVIDUAL BOX	1	
	-	WESED90P8100	OPERATING INSTRUCTIONS	1	