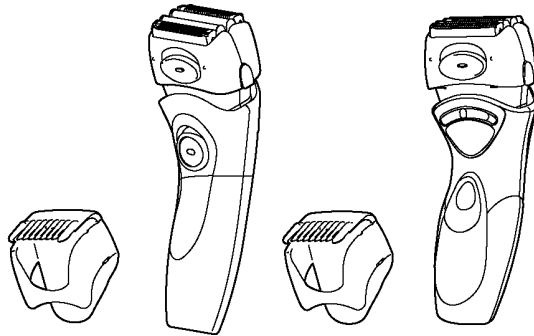


Service Manual

Wet/Dry Rechargeable Shaver

ES2216-U1

ES2218-U1



SPECIFICATIONS

Model	ES2216	ES2218
Power source	AC120V 60Hz	AC 100-120V 50-60Hz
Motor voltage	1.2V DC	
Charging time	12 hours	8 hours
Weight (main unit)	165g	162g

⚠ WARNING

This service information is designed for experienced repair technicians only and is not designed for use by the general public. It does not contain warnings or cautions to advise non-technical individuals of potential dangers in attempting to service a product. Products powered by electricity should be serviced or repaired only by experienced professional technicians. Any attempt to service or repair the product or products dealt with in this service information by anyone else could result in serious injury or death.

CONTENTS

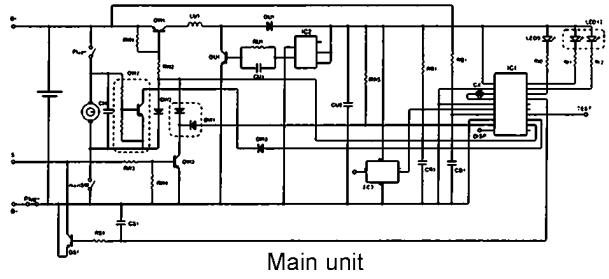
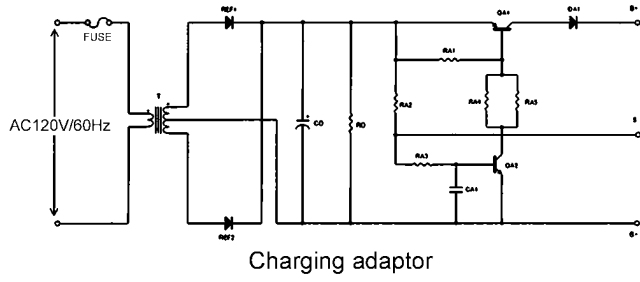
	Page		Page
1 SCHEMATIC DIAGRAM	2	2 EXPLODED VIEW & REPLACEMENT PARTS LIST	3

Panasonic®

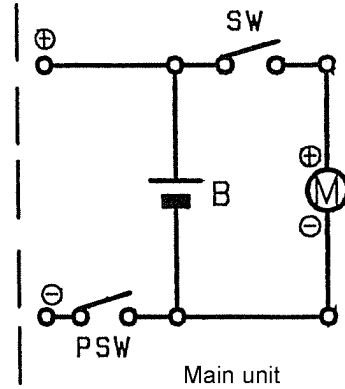
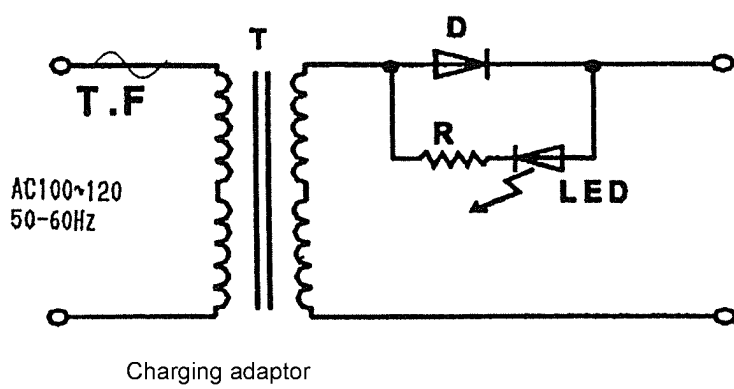
© 2005 Matsushita Electric Works, Ltd. All rights reserved. Unauthorized copying and distribution is a violation of law.

1 SCHEMATIC DIAGRAM

1.1. ES2216

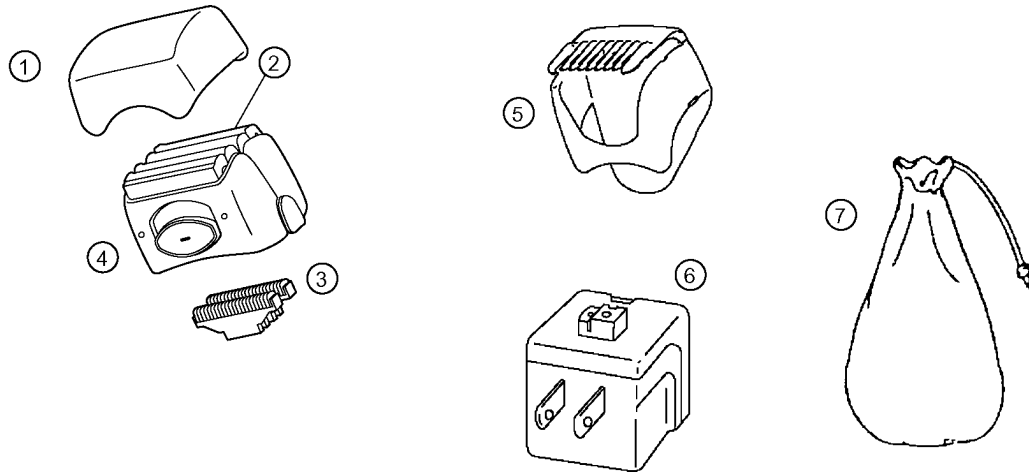


1.2. ES2218



2 EXPLODED VIEW & REPLACEMENT PARTS LIST

2.1. ES2216



NOTE:

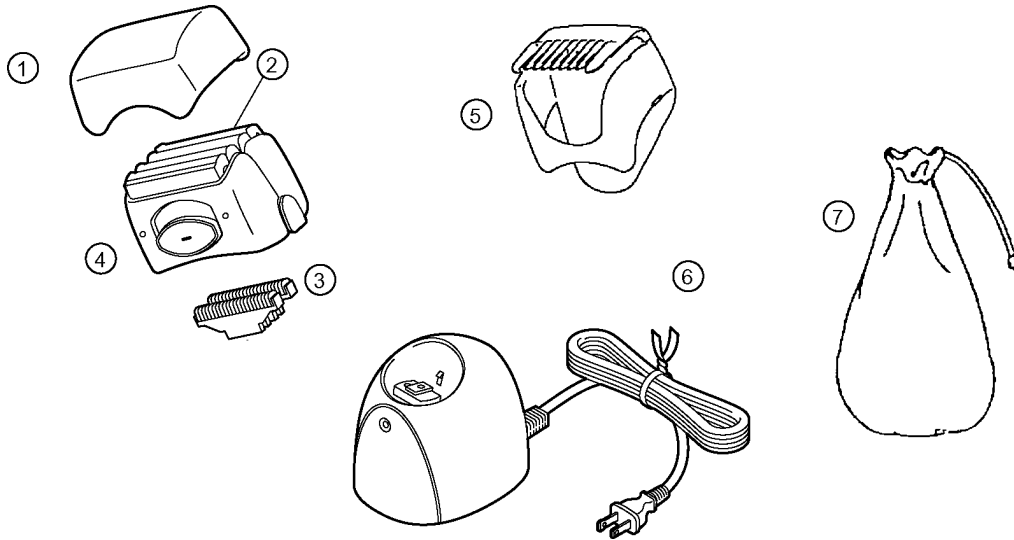
*A=available as an optional accessory

*B=only available as set

*C=available individually

Ref. No.	Part No.	Part Name & Description	Remarks	Per Unit
1	WES2219C7158	PROTECTIVE CAP	(BG)	1
2	WES9755P	OUTER FOIL		1ST
3	WES9754P	INNER BLADE		1ST
4	WES2216P0048	FOIL FRAME	(BG)	1
5	WES2216P3558	3-POSITION BIKINI COMB	(BG)	1
6	WES2216V7658	CHARGING ADAPTOR	(BG)	1
7	WES208W7008	SOFT CASE	(BG)	1
-	WES2216P8108	OPERATING INSTRUCTIONS	(BG)	1

2.2. ES2218



NOTE:

*A=available as an optional accessory

*B=only available as set

*C=available individually

Ref. No.	Part No.	Part Name & Description	Remarks	Per Unit
1	WES2208V7158	PROTECTIVE CAP	(BG)	1
2	WES9755P	OUTER FOIL		1ST
3	WES9754P	INNER BLADE		1ST
4	WES2208V0048	FOIL FRAME	(BG)	1
5	WES2218V3558	3-POSITION BIKINI COMB	(BG)	1
6	WES2208V7658	CHARGING ADAPTOR	(BG)	1
7	WES208W7008	SOFT CASE	(BG)	1
-	WES2218V8108	OPERATING INSTRUCTIONS	(BG)	1