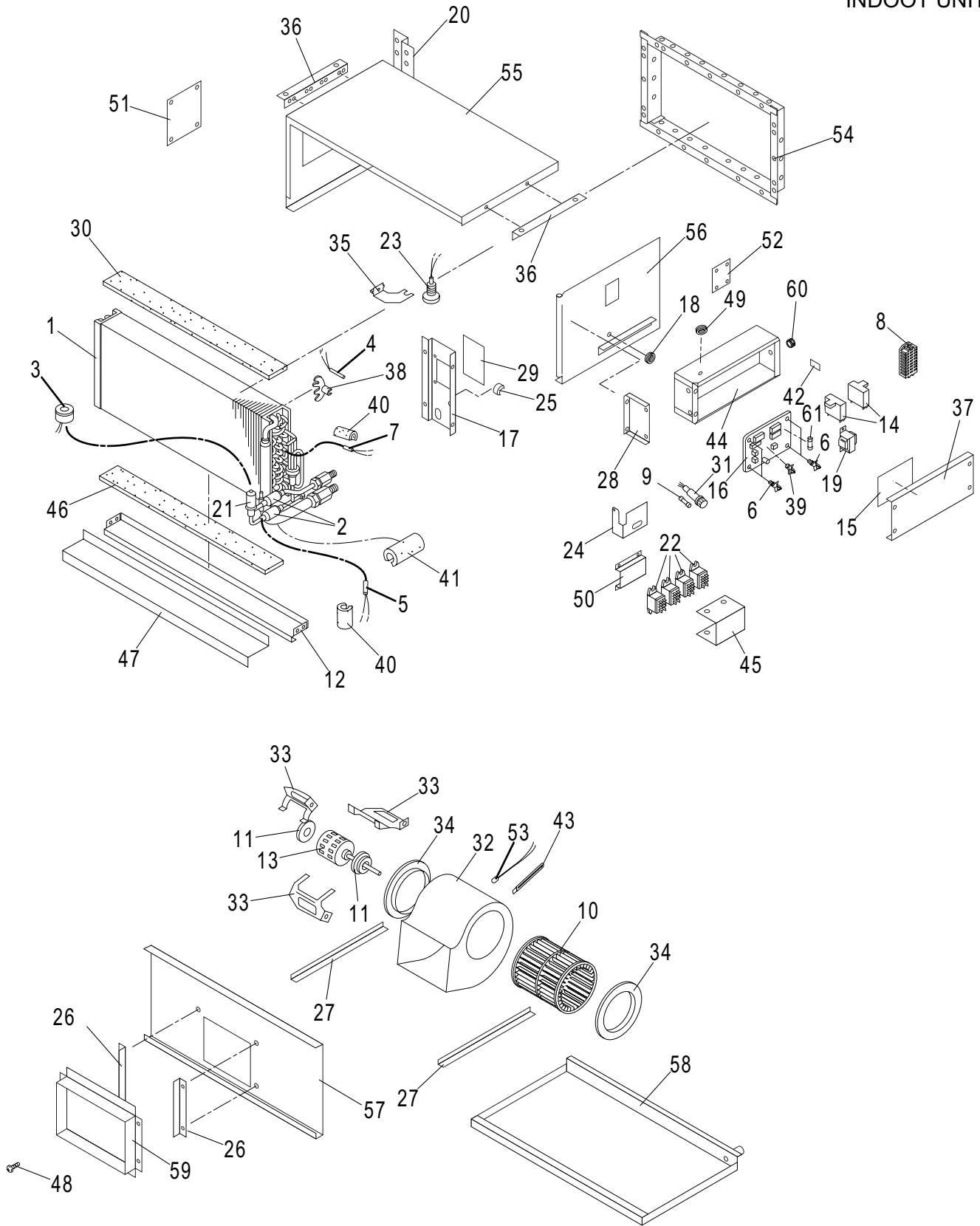


DHX4852
INDOOR UNIT



ATTENTION !

To ensure correct parts supply, please let us know followings,
when you make service parts order:

1.Part No. 2.Description 3.Q'ty 4.Volts-Hz-Ph 5.Product Model No.

DHX4852
INDOOR UNIT

KeyNo.	Part No.	Description	Q'ty	Reference No.
* 1	623 176 0355	Heat Exch Ass'y	1	854-0-4124-36900
2	623 175 2213	Strainer Ass'y	2	854-0-4522-29100
* 3	623 175 2206	Magnetic Coil(PMV) UKV-U030E	1	1FA-4-L8A0-30500
* 4	623 174 1293	Thermistor Ass'y(TA) KTEC-35-S85	1	854-0-5259-45700
* 5	623 170 1778	Thermistor Ass'y(E3) PBC-41E-S42-2	1	854-0-5259-42400
6	623 116 7338	Spacer SPLSN-8	4	851-2-5366-05300
* 7	623 170 1761	Thermistor Ass'y(E1) PBC-41E-S36	1	854-0-5259-39100
* 8	623 177 7124	Terminal Base HP-T3041-C3E4-S	1	1FA-4-J3A0-23900
* 9	638 010 7827	Fuse BET6.3A	1	1FJ-4-S3A0-00600
* 10	623 068 3402	Centrifugal Fan Ass'y	1	854-0-2501-15200
11	623 079 9912	Cushion Rubber	2	854-2-2534-13200
12	623 108 8008	Guide, Drain Pan	1	854-2-2341-21101
* 13	623 201 6598	Fan Motor Ass'y KFC4Q-401A6P	1	8FA-0-5202-04000
* 14	638 008 8249	Fixed Capacitor UPMDD-440V/7.0MF	2	4-2239-56167
15	623 201 6581	Elec. Wiring Diagram	1	8FA-2-5250-06000
* 16	623 311 8130	Controller Ass'y CR-UHX0762	1	854-9-9536-05710
17	623 110 8744	Mounting Plate, Evaporator	1	854-2-2303-25401
18	623 000 0865	Eyelet	1	3-9041-11000
* 19	623 201 6475	Transformer Ass'y ATR-IL224B-T-R	1	8FA-0-5263-06200
20	623 105 8971	Mounting Plate, Evaporator	1	854-2-2303-19201
* 21	623 176 0256	Solenoid Control Valve UKV-30D33	1	854-2-4548-20400
* 22	623 193 2974	Power Relay LY2F	4	1FA-4-S2A0-21400
* 23	638 011 8755	Switch Ass'y FS-3502-204	1	854-0-5257-03400
24	638 012 1120	Mounting Plate	1	854-2-5312-94201
25	623 078 4994	Mounting Plate	1	854-2-2360-11811
26	623 111 1928	Mounting Plate	2	854-2-2518-29501
27	623 158 8201	Reinforcement	2	854-2-2345-57701
28	623 076 9137	Mounting Plate, Elec Box	1	854-2-2234-14700
29	623 077 0355	Mounting Plate, Evaporator	1	854-2-2303-18401
30	623 201 6499	Packing	1	854-2-2336-38210
* 31	638 010 7834	Fuse Holder F-400-01-B2	1	1FJ-4-J2A0-00300
32	623 108 8022	Fan Casing Ass'y	1	854-0-2502-19101
33	623 108 8015	Support Motor Ass'y	3	854-0-2511-15801
34	623 108 8039	Nozzle	2	854-2-2519-11801
35	638 011 8847	Mounting Plate	1	854-2-2361-26301
36	638 002 7729	Mounting Panel	2	854-2-1127-17301
37	623 105 8797	Cover,Elec.Component Box	1	854-2-5304-33500
38	623 054 8497	Mounting Thermostat	1	852-2-5303-12800
39	638 008 4913	Spacer SPSN-8	1	851-2-5366-06300
40	623 105 0302	Insulation	2	854-2-2403-55800

NOTE: Metal and plastic parts will be supplied basically
with necessary heat insulation pads or packing.
Each key number with an asterisk (*) means the
recommended service parts.

ATTENTION !

To ensure correct parts supply, please let us know followings,
when you make service parts order:

1.Part No. 2.Description 3.Q'ty 4.Volts-Hz-Ph 5.Product Model No.

DHX4852
INDOOR UNIT

KeyNo.	Part No.	Description	Q'ty	Reference No.
41	623 201 6543	Insulation Special	1	854-2-2410-87210
42	623 086 9479	Sheet Earth	1	858-2-1323-10100
43	623 182 0547	Clamper Lead Wire	1	802-2-5319-10800
44	623 201 6529	Elec Component Box Ass'y	1	854-0-5311-08101
45	623 105 2733	Mounting Plate	1	854-2-5312-65101
46	623 201 6512	Packing	1	854-2-2336-39010
47	623 111 0204	Mounting Plate	1	854-2-2360-76101
48	623 119 5058	Screw Special	13	854-2-1356-13801
49	623 016 2938	Eyelet	1	733-2-4425-12200
50	623 105 2726	Mounting Plate	1	854-2-5312-65001
51	638 011 8830	Mounting Plate Ass'y	1	854-2-2360-760H1
52	638 011 8823	Mounting Plate Ass'y	1	854-2-2360-759H1
* 53	623 175 2190	Thermistor Ass'y(BL) KTEC-35-S85	1	854-0-5259-45800
54	623 201 6482	Flange Ass'y, Duct	1	854-0-2306-260H3
55	623 201 6611	Cabinet Ass'y	1	854-0-1104-162H2
56	623 201 6604	Side Panel Ass'y	1	854-0-1102-304H5
57	623 201 6635	Front Panel Ass'y	1	854-2-1101-606H6
* 58	623 201 6628	Drain Pan Ass'y	1	854-0-2301-451H4
59	623 201 6505	Flange Ass'y, Duct	1	854-0-2306-211H5
60	623 038 3425	Bushing OCB-875	1	851-2-5370-00900
* 61	423 033 1606	Fuse ET 5A	1	F31S5R0A2SCTR
	623 201 1050	Operation Manual	1	854-6-4189-83700

NOTE: Metal and plastic parts will be supplied basically with necessary heat insulation pads or packing. Each key number with an asterisk (*) means the recommended service parts.

For Parts or Service Assistance please contact your local Sanyo HVAC Contractor or Distributor

United States: SCS, HVAC Solutions

Web: www.SanyoHVAC.com

Parts: hvac.parts@sna.sanyo.com

Service: hvac.service@sna.sanyo.com

Canada: Sanyo Canada Inc.

Web: www.SanyoHVAC.com

Parts/Service: hvac@sci.sanyo.com

Jan / '10 Printed in Japan