

Parts List



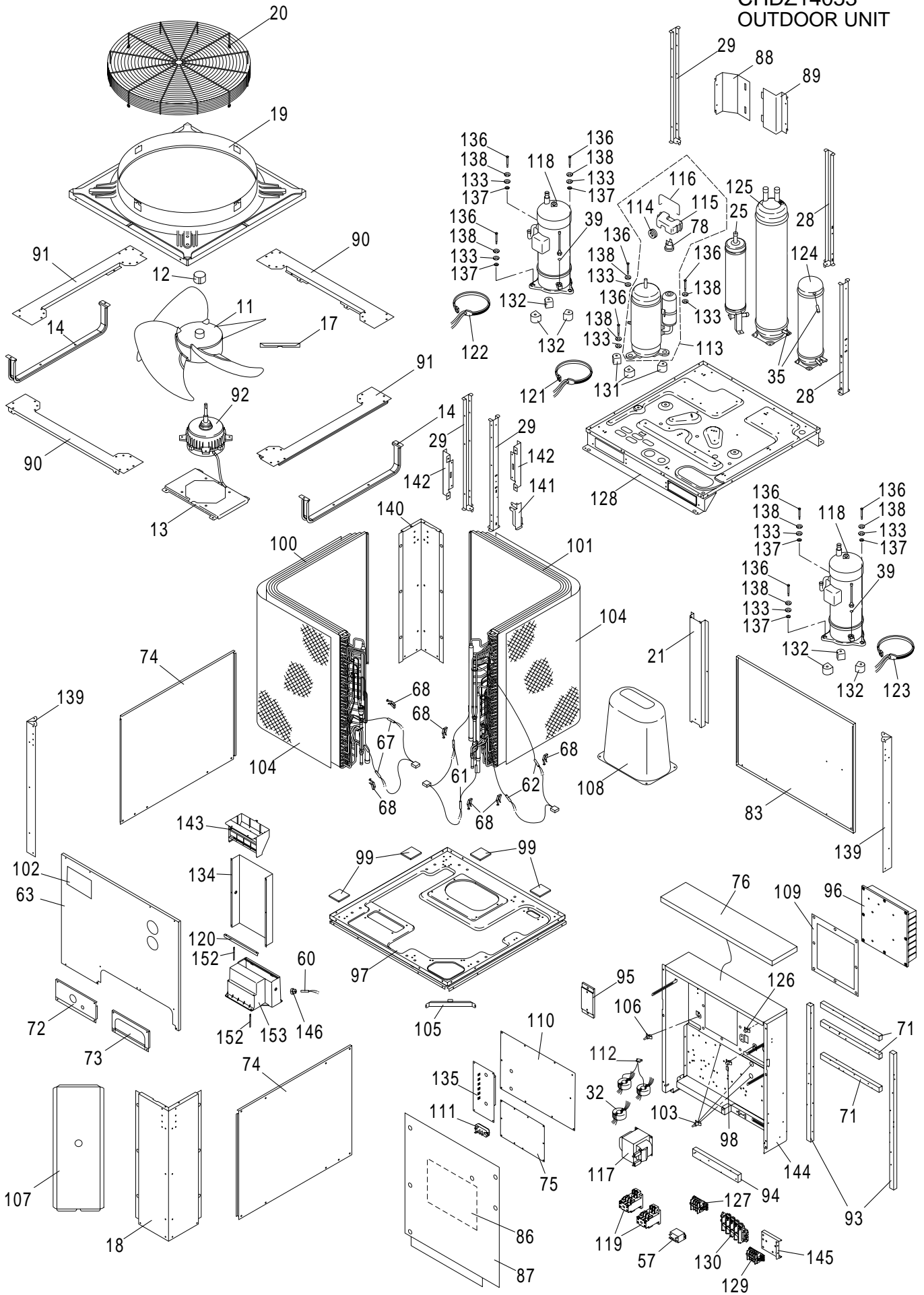
File No.

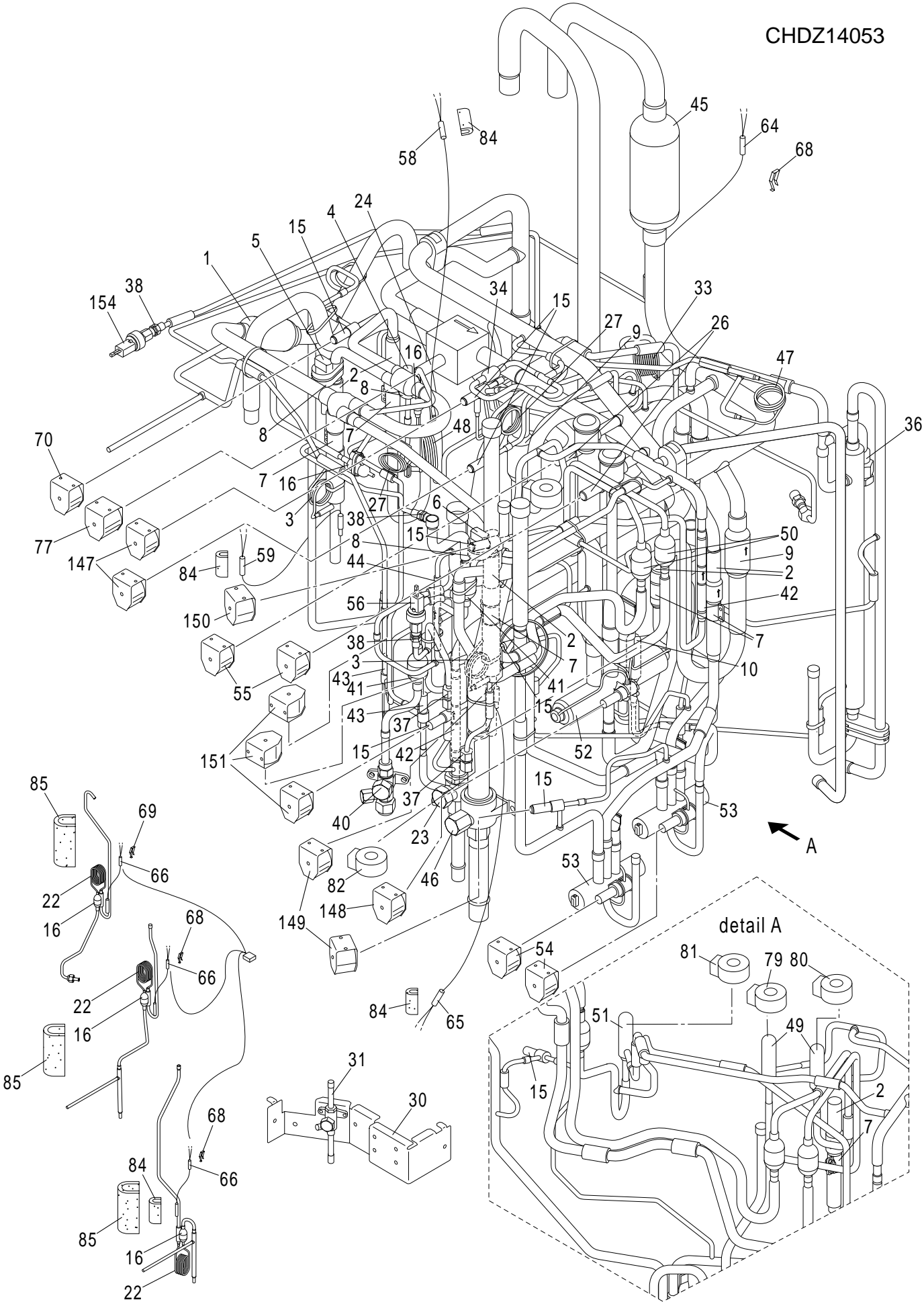
Air Conditioner

OUTDOOR UNIT
CHDZ14053
Made in Japan

Model No.	Prod.Code	Volt-Phase-Hertz
CHDZ14053	1 854 035 75	208-230-3-60

CHDZ14053
OUTDOOR UNIT





ATTENTION !

To ensure correct parts supply, please let us know followings,
when you make service parts order:

1.Part No. 2.Description 3.Q'ty 4.Volts-Hz-Ph 5.Product Model No.

CHDZ14053
OUTDOOR UNIT

Key No.	Part No.	Description	Q'ty	Reference No.
1	623 043 4097	Strainer Ass'y	1	852-0-4506-14400
* 2	623 170 9361	Check Valve Ass'y BCV-1005DYQ45	5	854-0-4518-18600
3	623 170 9873	Capillary Tube	2	854-2-4237-25000
* 4	623 201 0527	Switch Ass'y ACB-4UB49W	1	8FA-0-5257-04700
* 5	623 201 0510	Switch Ass'y ACB-4UB54W	1	8FA-0-5257-04800
* 6	623 201 1074	Switch Ass'y ACB-4UB49W	1	8FA-0-5257-04900
7	623 177 4260	Mounting Plate	5	854-2-4134-70401
8	623 078 4871	Protection Rubber	3	854-2-2356-11100
* 9	638 006 4168	Check Valve Ass'y	2	854-0-4518-17000
* 10	623 183 8207	Solenoid Control Valve UKV-18D39	1	829-2-4505-15300
11	623 201 0534	Propeller Fan Ass'y	1	826-0-2502-10310
12	623 166 5711	Cap	1	826-2-1124-11800
13	623 184 0781	Support Fan Motor	1	854-2-2516-39203
14	623 184 0774	Support Fan Motor	2	854-2-2516-39102
* 15	623 183 4117	Solenoid Valve TEV-1920D	7	854-2-4549-17100
16	623 043 3984	Strainer Ass'y	5	852-0-4506-13300
17	623 183 4209	Mounting Plate Ass'y	1	854-0-2323-69500
18	623 184 0804	Side Panel	1	854-2-1102-97403
19	623 201 0541	Top Cover	1	854-2-1106-40010
20	623 183 4186	Guard Ass'y	1	854-0-1113-25301
21	623 183 4179	Cover Plate	1	854-2-1133-42400
22	623 183 4162	Capillary Tube	3	854-2-4237-41200
23	623 177 4574	Valve Ass'y 3/4 in.	1	854-0-4507-28500
* 24	623 183 8214	Solenoid Valve REV1506DXP	1	854-2-4549-17300
25	638 019 3615	Oil Separator Ass'y	1	854-0-4523-11201
* 26	623 065 3269	Solenoid Valve NEV1204DXF	2	853-2-4508-11500
27	638 003 9814	Capillary Tube	2	854-2-4231-67900
28	623 183 4247	Mounting Plate	2	854-2-2361-99100
29	623 183 4230	Mounting Plate	3	854-2-2361-99200
30	623 183 4223	Support valve	1	854-2-4129-32700
31	623 170 9507	Valve Ass'y	1	854-0-4521-30700
* 32	623 201 0800	Transformer Ass'y CL-9	1	8FA-0-5263-06000
33	638 003 9852	Capillary Tube	1	854-2-4231-69600
34	623 143 5970	Strainer Ass'y	1	852-0-4506-18400
35	623 000 5303	Half Union	2	3-9328-10200
36	623 191 4185	Fusible Plug	1	854-2-4306-15800
* 37	623 179 6279	Check Valve Ass'y	2	852-0-4204-13610
38	623 063 8280	Charge Port Ass'y	3	853-0-4514-80300
39	623 194 7671	O-Ring	2	854-2-2359-15600
40	623 177 4505	Valve Ass'y 3/8 in.	1	854-0-4504-31900
41	623 070 9300	Strainer Ass'y	2	854-0-4522-10400
* 42	638 004 0728	Check Valve Ass'y	2	854-0-4518-16600
* 43	623 183 4278	Solenoid Valve TEV-1620DQ14	2	854-2-4549-17200
* 44	623 172 1066	Check Valve Ass'y	1	854-0-4518-18400
45	623 160 4543	Strainer Ass'y	1	826-0-4506-11400
46	623 183 8221	Valve Ass'y	1	854-0-4521-30600
47	638 003 9883	Capillary Tube	1	854-2-4231-67600
48	638 013 3567	Capillary Tube	1	854-2-4231-91400
* 49	623 176 0256	Solenoid Control Valve UKV-30D33	2	854-2-4548-20400
50	623 101 8968	Strainer Ass'y	2	854-0-4522-13100

NOTE: Metal and plastic parts will be supplied basically with necessary heat insulation pads or packing.
Each key number with an asterisk (*) means the recommended service parts.

ATTENTION !

To ensure correct parts supply, please let us know followings,
when you make service parts order:

1.Part No. 2.Description 3.Q'ty 4.Volts-Hz-Ph 5.Product Model No.

CHDZ14053
OUTDOOR UNIT

Key No.	Part No.	Description	Q'ty	Reference No.
* 51	623 183 8238	Solenoid Control Valve UKV-32D41	1	854-2-4548-21100
* 52	623 181 2429	Reversing Valve STF-0401G	1	854-2-4508-18700
* 53	623 300 4617	Reversing Valve STF-0247G	2	854-2-4508-19200
* 54	623 304 9229	Magnetic Coil Ass'y STF-01AQ505UA1	1	8FA-0-5251-26500
* 55	623 304 9212	Magnetic Coil Ass'y NEV-MOQA547B1	1	8FA-0-5251-26600
* 56	623 200 4083	Thermistor NSK-BD035I-082	1	1FA-4-V2E0-36900
* 57	623 131 2547	Relay G7L-2A-TUB	1	4-2329-56722
* 58	623 183 4407	Thermistor Ass'y PTC-51H	1	8FA-0-5259-10000
* 59	623 183 4391	Thermistor Ass'y PTC-51H	1	8FA-0-5259-10100
* 60	623 183 4384	Thermistor Ass'y PBM-41E	1	8FA-0-5259-10300
* 61	623 303 4003	Thermistor PB2M-D41E-S5	1	1FA-4-V2E0-39200
* 62	623 303 3990	Thermistor PB2M-D41E-S4	1	1FA-4-V2E0-39100
63	623 201 0565	Front Panel	1	854-2-1116-203H4
* 64	623 183 4346	Thermistor Ass'y PB2M-41E	1	8FA-0-5259-11000
* 65	623 183 8283	Thermistor Ass'y PTC-51H	1	8FA-0-5259-10200
* 66	623 183 8276	Thermistor Ass'y PB2M-41E	1	8FA-0-5259-11100
* 67	623 183 8269	Thermistor Ass'y PB2M-41E	1	8FA-0-5259-10800
68	623 148 5876	Mounting Thermostat	9	852-2-5303-22401
69	623 169 6487	Mounting Thermostat	1	852-2-5303-24801
* 70	623 201 5645	Magnetic Coil Ass'y TEV-MOQA904B1	1	8FA-0-5251-20100
71	623 189 9222	Packing	3	854-2-2366-90600
72	623 201 0558	Front Panel	1	854-2-1116-23803
73	623 184 0897	Front Panel	1	854-2-1116-20103
74	623 201 0589	Side Panel	2	854-2-1117-00113
* 75	623 201 0930	P.C.B. Ass'y FIL-CHDX14053	1	854-9-9536-05384
76	623 183 4964	Insulation	1	854-2-1408-95400
* 77	623 304 9236	Magnetic Coil Ass'y REV-A40017	1	8FA-0-5251-26300
* 78	623 191 5793	Thermostat CS-7L110	1	4-2339-60062
* 79	623 189 8942	Magnetic Coil Ass'y UKV-U031E	1	8FA-0-5251-09000
* 80	623 189 9109	Magnetic Coil Ass'y UKV-U049E	1	8FA-0-5251-09300
* 81	623 192 9752	Magnetic Coil Ass'y UKV-U050E	1	8FA-0-5251-09400
* 82	623 189 9093	Magnetic Coil Ass'y UKV-U038E	1	8FA-0-5251-09500
83	623 201 0664	Rear Panel	1	854-2-1103-37113
84	638 004 3279	Insulation Special	4	854-2-2410-88700
85	623 183 4896	Insulation Special	3	854-2-2411-49100
86	623 304 9243	Elec. Wiring Diagram	1	8FA-2-5250-39300
87	623 183 4513	Cover,Elec.Component Box	1	854-2-5304-619H1
88	623 183 4506	Cover Plate	1	854-2-1133-42000
89	623 183 4490	Cover Plate	1	854-2-1133-41900
90	623 184 0941	Mounting Plate	2	854-2-1136-21303
91	623 184 0934	Mounting Plate	2	854-2-1136-21403
* 92	623 201 0695	Fan Motor GCG21804-T8SA-U	1	1FA-4-M4A0-12900
93	623 189 9208	Packing	2	854-2-2366-90500
94	623 183 4957	Packing	1	854-2-2366-81200
95	623 177 4550	Cooler	1	854-2-5325-17201
96	623 183 4889	Cooler	1	854-2-5325-18201
* 97	623 201 0701	Drain Pan Ass'y	1	854-0-2301-64003
98	623 184 2136	Spacer SPLSN-7	2	851-2-5366-03900
99	623 183 4612	Sheet Rubber	4	854-2-1353-17300
* 100	623 183 8337	Heat Exch Ass'y	1	854-0-4124-50800

NOTE: Metal and plastic parts will be supplied basically with necessary heat insulation pads or packing.
Each key number with an asterisk (*) means the recommended service parts.

ATTENTION !

To ensure correct parts supply, please let us know followings,
when you make service parts order:

1.Part No. 2.Description 3.Q'ty 4.Volts-Hz-Ph 5.Product Model No.

CHDZ14053
OUTDOOR UNIT

Key No.	Part No.	Description	Q'ty	Reference No.
* 101	623 183 8320	Heat Exch Ass'y	1	854-0-4124-50700
102	623 183 4148	Badge	1	854-2-1354-31902
103	623 097 1677	Spacer SPLSN-6	5	851-2-5366-03800
104	623 183 4568	Guard	2	854-2-1113-27800
105	623 183 8375	Mounting Plate	1	854-2-2361-99800
106	623 096 5966	Spacer SPLSN-4	10	851-2-5366-03700
107	623 306 8909	Cover Plate	1	854-2-1133-44202
108	623 201 0763	Cover Plate	1	854-2-2342-86310
109	623 195 7007	Sheet	1	1FA-4-G1A0-10200
110	623 304 9182	Controller Ass'y CR-CHDZ14053	1	854-9-9536-05514
* 111	623 183 4902	Diode DF30DB80	1	1FA-4-V2D0-04000
* 112	623 183 8344	Transformer Ass'y CL-9	1	8FA-0-5263-02300
* 113	623 201 5683	Compressor Ass'y C-9RVN273H0S	1	854-0-4525-33600
114	623 169 5190	Eyelet Rubber Lead Wire	1	801-2-5304-12600
115	626 040 0826	Cap Terminal Cover	1	801-2-6195-10700
116	626 040 0512	Clip	1	801-2-5340-10500
* 117	623 177 4437	Solenoid R152AA	1	1FA-4-L5C0-11500
* 118	623 300 9605	Compressor Ass'y JT170G-KTTJ	2	854-0-4525-33900
* 119	623 160 5830	Magnet Relay FW-1S/3QULZ691	2	1FJ-4-S2B0-17400
120	623 189 9161	Cover Plate	1	854-2-2342-869H1
* 121	623 201 0787	Heater Ass'y CH5700	1	8FA-0-5255-05100
* 122	623 201 0770	Heater Ass'y CH5700	1	8FA-0-5255-05200
* 123	623 201 1111	Heater Ass'y CH5700	1	8FA-0-5255-05300
124	623 183 4797	Receiver Tank Ass'y	1	854-0-4110-90311
125	623 192 9660	Accumulator Ass'y	1	854-0-4517-51901
126	623 096 5973	Spacer SPSN-4	1	851-2-5366-04100
* 127	623 201 5744	Terminal Base KT60-3J UL/CSA	1	1FA-4-J3A0-31700
128	623 201 5713	Bottom Plate Ass'y	1	854-0-2204-65413
* 129	638 013 2164	Terminal Base KTM-4J	1	1FJ-4-J3A0-03900
* 130	623 201 5676	Terminal Base UK125-4J UL	1	1FA-4-J3A0-31600
131	623 077 2564	Cushion Rubber	3	854-2-2318-13200
132	638 019 4728	Cushion Rubber	6	854-2-2318-14500
133	623 183 4650	Spacer	9	854-2-2349-22000
134	623 189 9079	Cover Plate	1	854-2-2342-86801
* 135	623 201 0947	P.C.B. Ass'y HIC-CHDX14053	1	854-9-9536-05383
136	623 170 9422	Bolt Special	9	854-2-2348-15400
137	623 027 0398	Eyelet	6	800-2-5309-10600
138	623 095 4960	Washer Special	9	854-2-1355-13300
139	623 184 1139	Side Panel	2	854-2-1102-97603
140	623 184 1122	Side Panel	1	854-2-1102-97503
141	623 183 4803	Mounting Plate	1	854-2-2362-00101
142	623 183 4711	Mounting Plate	2	854-2-2362-00201
143	623 189 9307	Cover Plate	1	854-2-2342-86601
144	623 201 0794	Elec Component Box Ass'y	1	854-0-5311-08201
145	623 201 5690	Mounting Plate	1	854-2-5309-38111
146	623 027 4990	Bushing	1	800-2-5337-17900
* 147	623 201 5638	Magnetic Coil Ass'y TEV-MOQA904B1	1	8FA-0-5251-20200
* 148	623 304 9281	Magnetic Coil Ass'y STF-01AQ505UA1	1	8FA-0-5251-26200
* 149	623 304 9274	Magnetic Coil Ass'y TEV-MOQA904B1	1	8FA-0-5251-26700
* 150	623 304 9267	Magnetic Coil Ass'y TEV-MOQA904B1	1	8FA-0-5251-26400

NOTE: Metal and plastic parts will be supplied basically with necessary heat insulation pads or packing.
Each key number with an asterisk (*) means the recommended service parts.

ATTENTION !

To ensure correct parts supply, please let us know followings,
when you make service parts order:

1.Part No. 2.Description 3.Q'ty 4.Volts-Hz-Ph 5.Product Model No.

CHDZ14053
OUTDOOR UNIT

Key No.	Part No.	Description	Q'ty	Reference No.
* 151	623 304 9250	Magnetic Coil Ass'y TEV-MOAQ904B1	1	8FA-0-5251-26100
152	628 012 9219	Fixture Cord	2	731-2-5323-12000
153	623 189 9086	Cover Plate	1	854-2-2342-86701
* 154	623 200 4090	Thermistor NSK-BD035I-083	1	1FA-4-V2E0-37000

NOTE: Metal and plastic parts will be supplied basically
with necessary heat insulation pads or packing.
Each key number with an asterisk (*) means the
recommended service parts.

For Parts or Service Contact
SANYO HVAC SERVICE CENTER
SANYO Fisher Service Company
1165 Allgood Road, Suite 22, Marietta, GA 30062 U.S.A.
300 Applewood Crescent, Concord, Ontario, L4K 5C7, CANADA
3/08 Printed in Japan