

Provisional Version

## Parts List



File No.

## Air Conditioner

OUTDOOR UNIT  
CHDZ09663

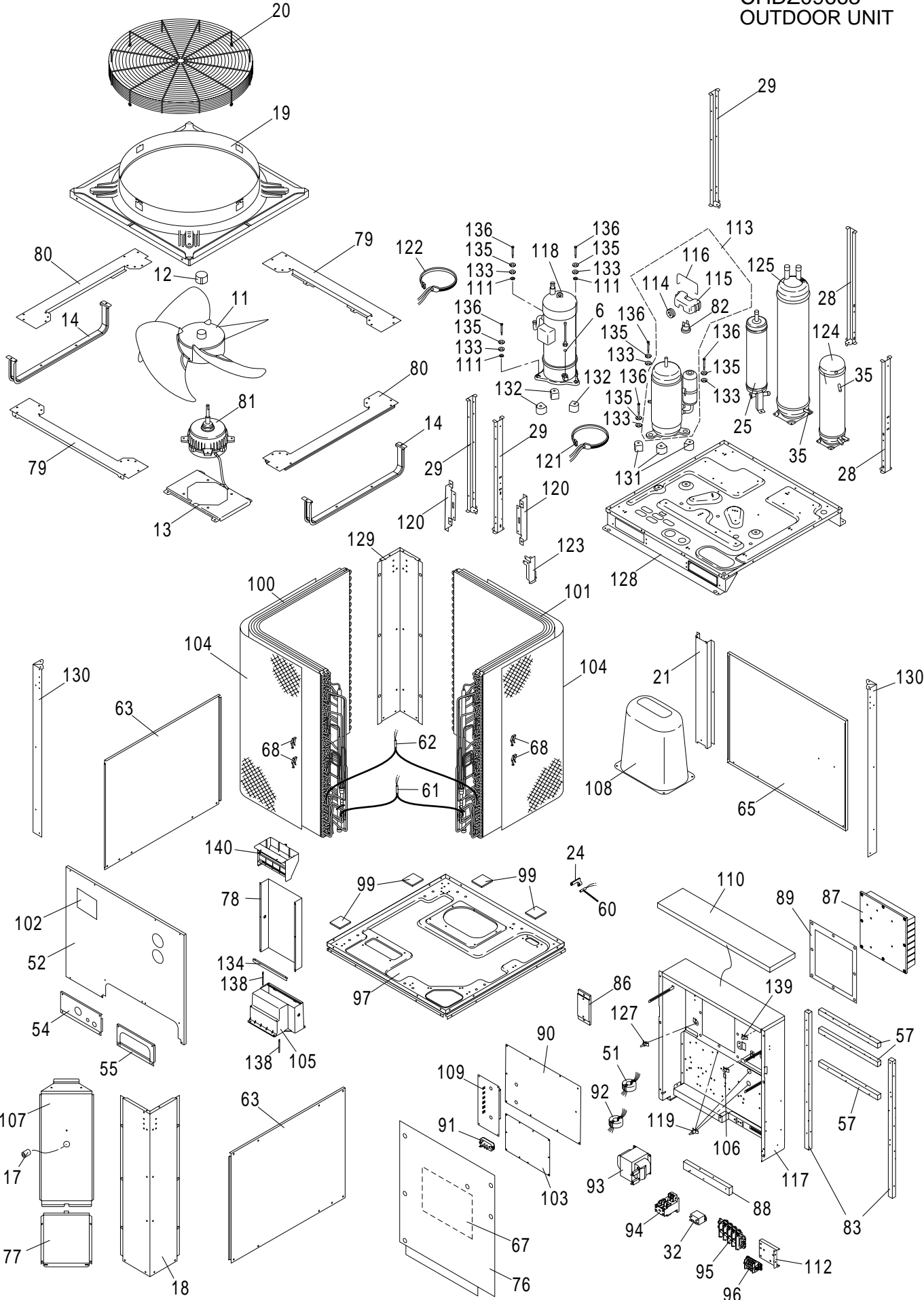
Made in Japan

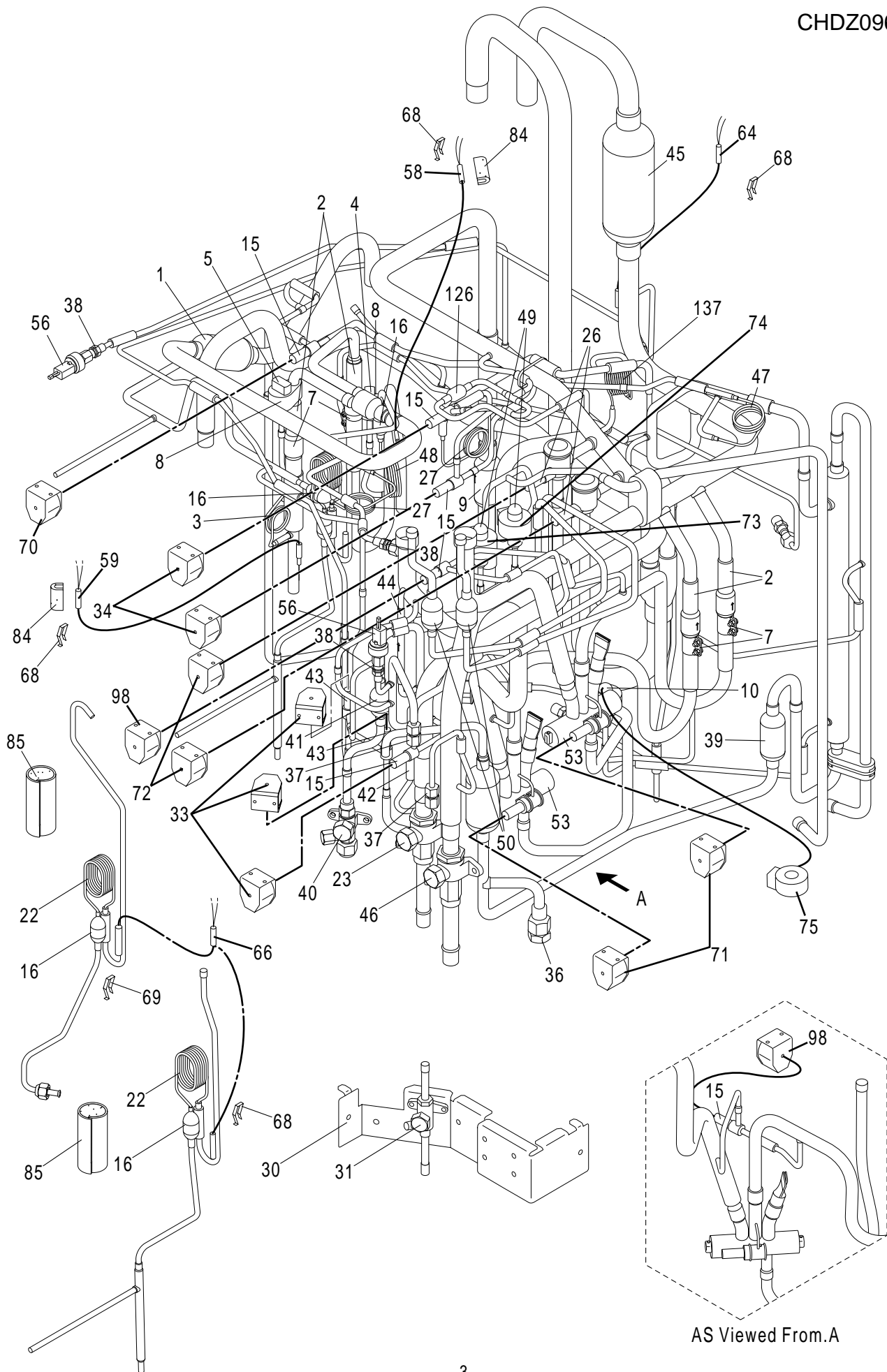
---

Model No.	Prod.Code	Volt-Phase-Hertz
CHDZ09663	1 854 038 57	208-230-3-60

REFERENCE No.PL 834361

CHDZ09663  
OUTDOOR UNIT





**ATTENTION !**

To ensure correct parts supply, please let us know followings,  
when you make service parts order:

1.Part No. 2.Description 3.Q'ty 4.Volts-Hz-Ph 5.Product Model No.

CHDZ09663  
OUTDOOR UNIT

KeyNo.	Part No.	Description	Q'ty	Reference No.
1	623 043 4097	Strainer Ass'y	1	852-0-4506-14400
* 2	623 170 9361	Check Valve Ass'y BCV-1005DYQ45	4	854-0-4518-18600
3	623 170 9873	Capillary Tube	1	854-2-4237-25000
* 4	623 201 0527	Switch Ass'y ACB-4UB49W	1	8FA-0-5257-04700
* 5	623 201 0510	Switch Ass'y ACB-4UB54W	1	8FA-0-5257-04800
6	623 194 7671	O-Ring	1	854-2-2359-15600
7	623 177 4260	Mounting Plate	4	854-2-4134-70401
8	623 078 4871	Protection Rubber	2	854-2-2356-11100
* 9	638 006 4168	Check Valve Ass'y	1	854-0-4518-17000
* 10	623 183 8207	Solenoid Control Valve UKV-18D39	1	829-2-4505-15300
11	623 201 0534	Propeller Fan Ass'y	1	826-0-2502-10310
12	623 166 5711	Cap	1	826-2-1124-11800
13	623 184 0781	Support Fan Motor	1	854-2-2516-39203
14	623 184 0774	Support Fan Motor	2	854-2-2516-39102
* 15	623 183 4117	Solenoid Valve TEV-1920D	6	854-2-4549-17100
16	623 043 3984	Strainer Ass'y	4	852-0-4506-13300
17	623 118 1594	Insulation Special	1	854-2-2410-73000
18	623 311 9168	Side Panel	1	854-2-1117-05603
19	623 201 0541	Top Cover	1	854-2-1106-40010
20	623 183 4186	Guard Ass'y	1	854-0-1113-25301
21	623 183 4179	Cover Plate	1	854-2-1133-42400
22	623 183 4162	Capillary Tube	2	854-2-4237-41200
23	623 183 4155	Valve Ass'y 5/8 in.	1	854-0-4506-28900
24	623 192 7291	Support Thermo	1	854-2-2235-18700
25	638 019 3615	Oil Separator Ass'y	1	854-0-4523-11201
* 26	623 065 3269	Solenoid Valve NEV1204DXF	2	853-2-4508-11500
27	638 003 9814	Capillary Tube	2	854-2-4231-67900
28	623 183 4247	Mounting Plate	2	854-2-2361-99100
29	623 183 4230	Mounting Plate	3	854-2-2361-99200
30	623 183 4223	Support valve	1	854-2-4129-32700
31	623 177 4512	Valve Ass'y 3/8 in.	1	854-0-4504-31800
* 32	623 131 2547	Relay G7L-2A-TUB	1	4-2329-56722
* 33	623 304 9144	MagneticCoilAss'y(PBVBALVORVR TEV-MO AQ904B1	1	8FA-0-5251-25700
* 34	623 201 5638	Magnetic Coil Ass'y(RCV,RBV) TEV-MO AQ904B1	1	8FA-0-5251-20200
35	623 000 5303	Half Union	2	3-9328-10200
36	623 191 4185	Fusible Plug	1	854-2-4306-15800
* 37	623 179 6279	Check Valve Ass'y	2	852-0-4204-13610
38	623 063 8280	Charge Port Ass'y	3	853-0-4514-80300
39	623 070 9287	Strainer Ass'y	1	854-0-4522-10200
40	623 177 4505	Valve Ass'y 3/8 in.	1	854-0-4504-31900

NOTE: Metal and plastic parts will be supplied basically  
with necessary heat insulation pads or packing.  
Each key number with an asterisk (\*) means the  
recommended service parts.

**ATTENTION !**

To ensure correct parts supply, please let us know followings,  
when you make service parts order:

1.Part No. 2.Description 3.Q'ty 4.Volts-Hz-Ph 5.Product Model No.

CHDZ09663  
OUTDOOR UNIT

KeyNo.	Part No.	Description	Q'ty	Reference No.
41	623 070 9300	Strainer Ass'y	1	854-0-4522-10400
* 42	638 004 0728	Check Valve Ass'y	1	854-0-4518-16600
* 43	623 183 4278	Solenoid Valve TEV-1620DQ14	2	854-2-4549-17200
* 44	623 172 1066	Check Valve Ass'y	1	854-0-4518-18400
45	623 160 4543	Strainer Ass'y	1	826-0-4506-11400
46	623 177 4574	Valve Ass'y 3/4 in.	1	854-0-4507-28500
47	638 003 9883	Capillary Tube	1	854-2-4231-67600
48	638 013 3567	Capillary Tube	1	854-2-4231-91400
* 49	623 177 7476	Solenoid Control Valve UKV-30D40	2	854-2-4548-20800
50	623 101 8968	Strainer Ass'y	2	854-0-4522-13100
* 51	623 183 4544	Transformer Ass'y CL-9	1	8FA-0-5263-02200
52	623 201 0565	Front Panel	1	854-2-1116-203H4
* 53	623 308 2936	Reversing Valve STF-0314G	2	854-2-4508-20000
54	623 201 0558	Front Panel	1	854-2-1116-23803
55	623 184 0897	Front Panel	1	854-2-1116-20103
* 56	623 190 3073	Thermistor(LPS,HPS) NSK-BA035I-126	2	1FA-4-V2E0-34400
57	623 189 9222	Packing	3	854-2-2366-90600
* 58	623 309 7749	Thermistor Ass'y(DISCH1) DTNC583G3UTKS356	1	8FA-0-5259-43100
* 59	623 309 7732	Thermistor Ass'y(DISCH2) DTNC583G3UTKS356	1	8FA-0-5259-43200
* 60	623 311 9199	Thermistor Ass'y(AIR TEMP) DTNC532G3HTKS358	1	8FA-0-5259-46400
* 61	623 201 0602	Thermistor Ass'y(EXG1,2) PB2M-41E	1	8FA-0-5259-24800
* 62	623 201 0596	Thermistor Ass'y(EXL1,2) PB2M-41E	1	8FA-0-5259-24700
63	623 201 0589	Side Panel	2	854-2-1117-00113
* 64	623 183 4346	Thermistor Ass'y(SCT) PB2M-41E	1	8FA-0-5259-11000
65	623 201 0664	Rear Panel	1	854-2-1103-37113
* 66	623 183 4452	Thermistor Ass'y(OIL1,2) PB2M-41E	1	8FA-0-5259-11200
67	623 304 9175	Elec. Wiring Diagram	1	8FA-2-5250-39200
68	623 148 5876	Mounting Thermostat	8	852-2-5303-22401
69	623 169 6487	Mounting Thermostat	1	852-2-5303-24801
* 70	623 201 5645	Magnetic Coil Ass'y(SAVE) TEV-MOAQ904B1	1	8FA-0-5251-20100
* 71	623 304 9168	Magnetic Coil Ass'y(SCV1,2) STF-01AQ505UA1	1	8FA-0-5251-25800
* 72	623 304 9151	Magnetic Coil Ass'y(DCV1,2) NEV-MOAQ547B1	1	8FA-0-5251-25900
* 73	623 189 8942	Magnetic Coil Ass'y(MOV1) UKV-U031E	1	8FA-0-5251-09000
* 74	623 189 9109	Magnetic Coil Ass'y(MOV2) UKV-U049E	1	8FA-0-5251-09300
* 75	623 189 9093	Magnetic Coil Ass'y(MOV4) UKV-U038E	1	8FA-0-5251-09500
76	623 183 4513	Cover,Elec.Component Box	1	854-2-5304-619H1
77	623 201 0725	Mounting Plate	1	854-2-2362-06503
78	623 189 9079	Cover Plate	1	854-2-2342-86801
79	623 184 0941	Mounting Plate	2	854-2-1136-21303
80	623 184 0934	Mounting Plate	2	854-2-1136-21403

NOTE: Metal and plastic parts will be supplied basically with necessary heat insulation pads or packing. Each key number with an asterisk (\*) means the recommended service parts.

**ATTENTION !**

To ensure correct parts supply, please let us know followings,  
when you make service parts order:

1.Part No. 2.Description 3.Q'ty 4.Volts-Hz-Ph 5.Product Model No.

CHDZ09663  
OUTDOOR UNIT

KeyNo.	Part No.	Description	Q'ty	Reference No.
* 81	623 183 4537	Fan Motor GCG21804-T8SA	1	1FA-4-M4A0-09400
* 82	623 191 5793	Thermostat CS-7L110	1	4-2339-60062
83	623 189 9208	Packing	2	854-2-2366-90500
84	638 004 3279	Insulation Special	2	854-2-2410-88700
85	623 310 6113	Insulation Special	2	854-2-2411-59100
86	623 177 4550	Cooler	1	854-2-5325-17201
87	623 183 4889	Cooler	1	854-2-5325-18201
88	623 183 4957	Packing	1	854-2-2366-81200
89	623 195 7007	Sheet	1	1FA-4-G1A0-10200
* 90	623 311 9243	Controller Ass'y CR-CHDZ09663	1	854-9-9536-05707
* 91	623 183 4902	Diode DF30DB80	1	1FA-4-V2D0-04000
* 92	623 201 0800	Transformer Ass'y CL-9	1	8FA-0-5263-06000
* 93	623 177 4437	Solenoid R152AA	1	1FA-4-L5C0-11500
* 94	623 160 5830	Magnet Relay FW-1S/3QULZ691	1	1FJ-4-S2B0-17400
* 95	623 201 5676	Terminal Base UK125-4J UL	1	1FA-4-J3A0-31600
* 96	638 013 2164	Terminal Base KTM-4J	1	1FJ-4-J3A0-03900
* 97	623 201 0701	Drain Pan Ass'y	1	854-0-2301-64003
* 98	623 304 9199	Magnetic Coil Ass'y TEV-MOQA904B1	1	8FA-0-5251-26000
99	623 183 4612	Sheet Rubber	4	854-2-1353-17300
* 100	623 311 9267	Heat Exch Ass'y	1	854-0-4124-76100
* 101	623 311 9250	Heat Exch Ass'y	1	854-0-4124-76200
102	623 183 4148	Badge	1	854-2-1354-31902
* 103	623 201 0930	P.C.B. Ass'y FIL-CHDX14053	1	854-9-9536-05384
104	623 189 9130	Guard	2	854-2-1113-29000
105	623 189 9086	Cover Plate	1	854-2-2342-86701
106	623 184 2136	Spacer SPLSN-7	2	851-2-5366-03900
107	623 201 0718	Cover Plate	1	854-2-2342-87603
108	623 201 0763	Cover Plate	1	854-2-2342-86310
* 109	623 201 0947	P.C.B. Ass'y HIC-CHDX14053	1	854-9-9536-05383
110	623 183 4964	Insulation	1	854-2-1408-95400
111	623 183 4650	Spacer	6	854-2-2349-22000
112	623 201 5690	Mounting Plate	1	854-2-5309-38111
* 113	623 201 5683	Compressor Ass'y C-9RVN273H0S	1	854-0-4525-33600
114	623 169 5190	Eyelet Rubber Lead Wire	1	801-2-5304-12600
115	626 040 0826	Cap Terminal Cover	1	801-2-6195-10700
116	626 040 0512	Clip	1	801-2-5340-10500
117	623 201 0794	Elec Component Box Ass'y	1	854-0-5311-08201
* 118	623 300 9599	Compressor Ass'y JT160G-KTTJ	1	854-0-4525-33800
119	623 097 1677	Spacer SPLSN-6	5	851-2-5366-03800
120	623 183 4711	Mounting Plate	2	854-2-2362-00201

NOTE: Metal and plastic parts will be supplied basically  
with necessary heat insulation pads or packing.  
Each key number with an asterisk (\*) means the  
recommended service parts.

## ATTENTION !

To ensure correct parts supply, please let us know followings,  
when you make service parts order:

1.Part No. 2.Description 3.Q'ty 4.Volts-Hz-Ph 5.Product Model No.

CHDZ09663  
OUTDOOR UNIT

KeyNo.	Part No.	Description	Q'ty	Reference No.
* 121	623 201 0787	Heater Ass'y CH5700	1	8FA-0-5255-05100
* 122	623 201 0770	Heater Ass'y CH5700	1	8FA-0-5255-05200
123	623 183 4803	Mounting Plate	1	854-2-2362-00101
124	623 183 4797	Receiver Tank Ass'y	1	854-0-4110-90311
125	623 192 9660	Accumulator Ass'y	1	854-0-4517-51901
126	623 143 5970	Strainer Ass'y	1	852-0-4506-18400
127	623 096 5966	Spacer SPLSN-4	10	851-2-5366-03700
128	623 201 5713	Bottom Plate Ass'y	1	854-0-2204-65413
129	623 311 9175	Side Panel	1	854-2-1102-99803
130	623 311 9151	Side Panel	2	854-2-1102-99903
131	623 077 2564	Cushion Rubber	3	854-2-2318-13200
132	638 019 4728	Cushion Rubber	3	854-2-2318-14500
133	623 183 4650	Spacer	6	854-2-2349-22000
134	623 189 9161	Cover Plate	1	854-2-2342-869H1
135	623 095 4960	Washer Special	6	854-2-1355-13300
136	623 170 9422	Bolt Special	6	854-2-2348-15400
137	638 003 9852	Capillary Tube	1	854-2-4231-69600
138	628 012 9219	Fixture Cord	2	731-2-5323-12000
139	623 096 5973	Spacer SPSN-4	1	851-2-5366-04100
140	623 189 9307	Cover Plate	1	854-2-2342-86601

NOTE: Metal and plastic parts will be supplied basically  
with necessary heat insulation pads or packing.  
Each key number with an asterisk (\*) means the  
recommended service parts.

For Parts or Service Assistance please contact your local Sanyo HVAC Contractor or Distributor

United States: SCS, HVAC Solutions

Web: [www.SanyoHVAC.com](http://www.SanyoHVAC.com)

Parts: [hvac.parts@sna.sanyo.com](mailto:hvac.parts@sna.sanyo.com)

Service: [hvac.service@sna.sanyo.com](mailto:hvac.service@sna.sanyo.com)

Canada: Sanyo Canada Inc.

Web: [www.SanyoHVAC.com](http://www.SanyoHVAC.com)

Parts/Service: [hvac@sci.sanyo.com](mailto:hvac@sci.sanyo.com)

Oct / '09 Printed in U.S.A