

Parts List



File No.

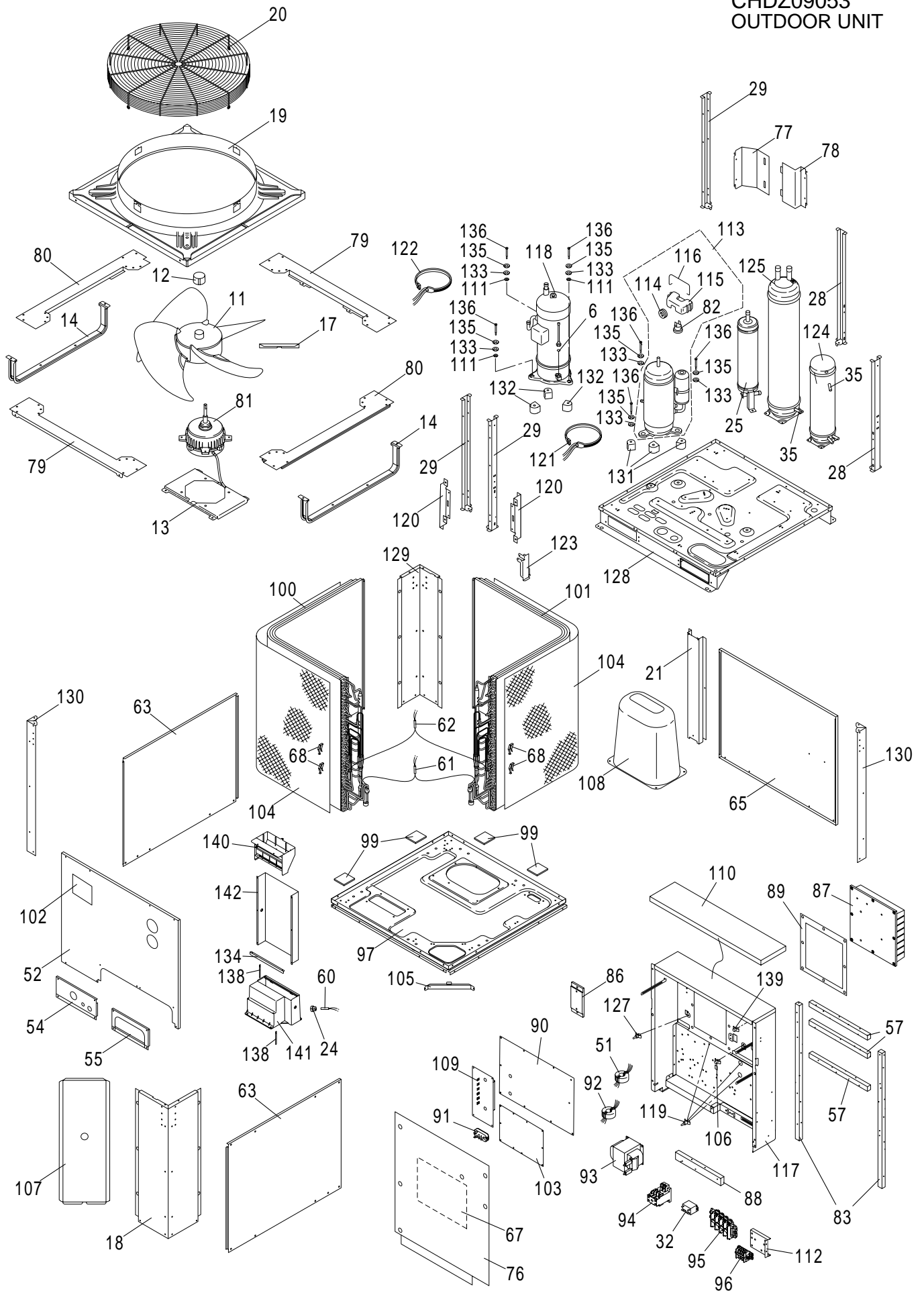
Air Conditioner

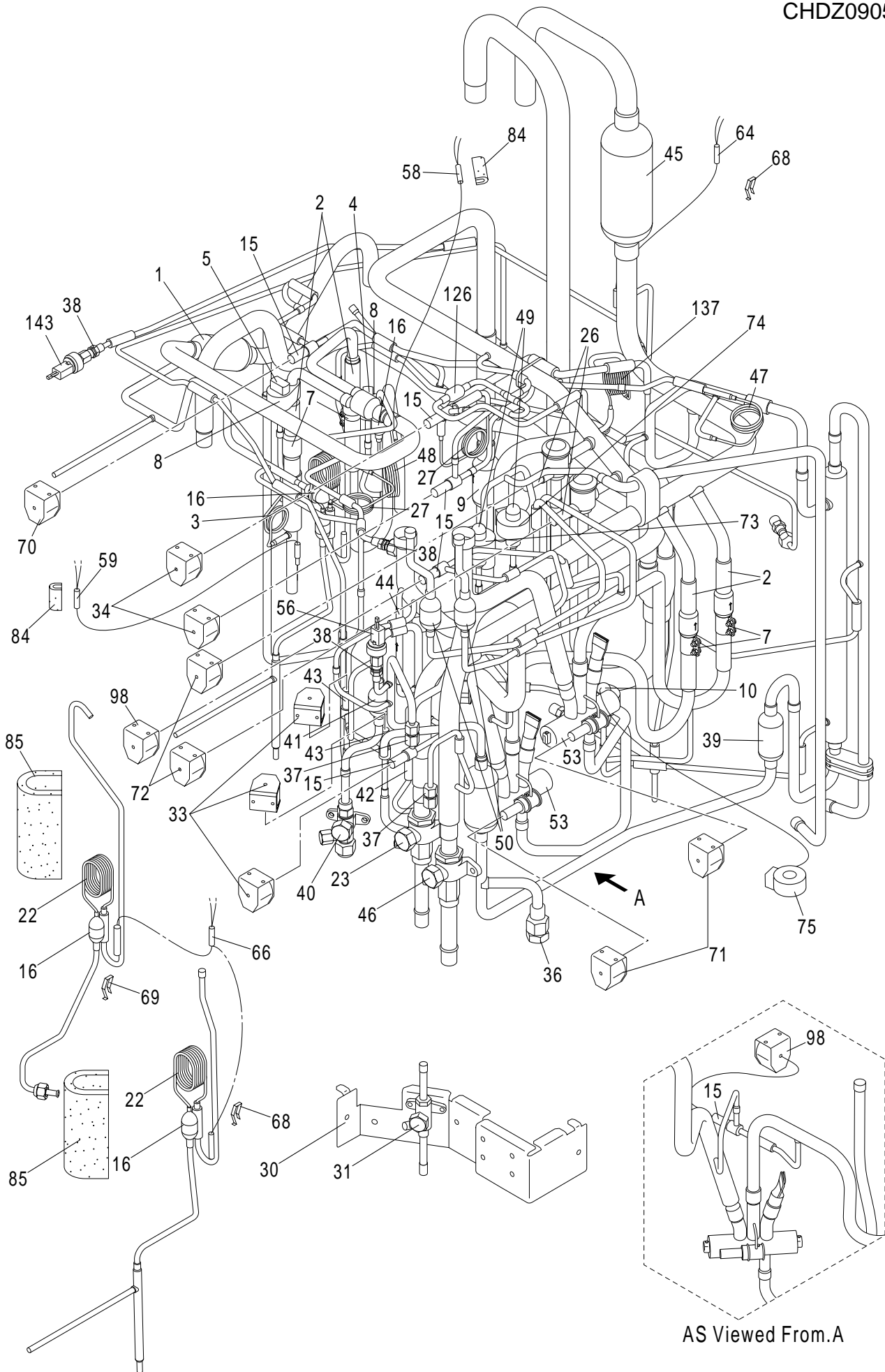
OUTDOOR UNIT
CHDZ09053

Made in Japan

Model No.	Prod.Code	Volt-Phase-Hertz
CHDZ09053	1 854 035 74	208-230-3-60

CHDZ09053
OUTDOOR UNIT





ATTENTION !

To ensure correct parts supply, please let us know followings,
when you make service parts order:

1.Part No. 2.Description 3.Q'ty 4.Volts-Hz-Ph 5.Product Model No.

CHDZ09053
OUTDOOR UNIT

Key No.	Part No.	Description	Q'ty	Reference No.
1	623 043 4097	Strainer Ass'y	1	852-0-4506-14400
* 2	623 170 9361	Check Valve Ass'y BCV-1005DYQ45	4	854-0-4518-18600
3	623 170 9873	Capillary Tube	1	854-2-4237-25000
* 4	623 201 0527	Switch Ass'y ACB-4UB49W	1	8FA-0-5257-04700
* 5	623 201 0510	Switch Ass'y ACB-4UB54W	1	8FA-0-5257-04800
6	623 194 7671	O-Ring	1	854-2-2359-15600
7	623 177 4260	Mounting Plate	4	854-2-4134-70401
8	623 078 4871	Protection Rubber	2	854-2-2356-11100
* 9	638 006 4168	Check Valve Ass'y	1	854-0-4518-17000
* 10	623 183 8207	Solenoid Control Valve UKV-18D39	1	829-2-4505-15300
11	623 201 0534	Propeller Fan Ass'y	1	826-0-2502-10310
12	623 166 5711	Cap	1	826-2-1124-11800
13	623 184 0781	Support Fan Motor	1	854-2-2516-39203
14	623 184 0774	Support Fan Motor	2	854-2-2516-39102
* 15	623 183 4117	Solenoid Valve TEV-1920D	6	854-2-4549-17100
16	623 043 3984	Strainer Ass'y	4	852-0-4506-13300
17	623 183 4209	Mounting Plate Ass'y	1	854-0-2323-69500
18	623 184 0804	Side Panel	1	854-2-1102-97403
19	623 201 0541	Top Cover	1	854-2-1106-40010
20	623 183 4186	Guard Ass'y	1	854-0-1113-25301
21	623 183 4179	Cover Plate	1	854-2-1133-42400
22	623 183 4162	Capillary Tube	2	854-2-4237-41200
23	623 183 4155	Valve Ass'y 5/8 in.	1	854-0-4506-28900
24	623 027 4990	Bushing	1	800-2-5337-17900
25	638 019 3615	Oil Separator Ass'y	1	854-0-4523-11201
* 26	623 065 3269	Solenoid Valve NEV1204DXF	2	853-2-4508-11500
27	638 003 9814	Capillary Tube	2	854-2-4231-67900
28	623 183 4247	Mounting Plate	2	854-2-2361-99100
29	623 183 4230	Mounting Plate	3	854-2-2361-99200
30	623 183 4223	Support valve	1	854-2-4129-32700
31	623 177 4512	Valve Ass'y 3/8 in.	1	854-0-4504-31800
* 32	623 131 2547	Relay G7L-2A-TUB	1	4-2329-56722
* 33	623 304 9144	Magnetic Coil Ass'y TEV-MOQA904B1	1	8FA-0-5251-25700
* 34	623 201 5638	Magnetic Coil Ass'y TEV-MOQA904B1	1	8FA-0-5251-20200
35	623 000 5303	Half Union	2	3-9328-10200
36	623 191 4185	Fusible Plug	1	854-2-4306-15800
* 37	623 179 6279	Check Valve Ass'y	2	852-0-4204-13610
38	623 063 8280	Charge Port Ass'y	3	853-0-4514-80300
39	623 070 9287	Strainer Ass'y	1	854-0-4522-10200
40	623 177 4505	Valve Ass'y 3/8 in.	1	854-0-4504-31900
41	623 070 9300	Strainer Ass'y	1	854-0-4522-10400
* 42	638 004 0728	Check Valve Ass'y	1	854-0-4518-16600
* 43	623 183 4278	Solenoid Valve TEV-1620DQ14	2	854-2-4549-17200
* 44	623 172 1066	Check Valve Ass'y	1	854-0-4518-18400
45	623 160 4543	Strainer Ass'y	1	826-0-4506-11400
46	623 177 4574	Valve Ass'y 3/4 in.	1	854-0-4507-28500
47	638 003 9883	Capillary Tube	1	854-2-4231-67600
48	638 013 3567	Capillary Tube	1	854-2-4231-91400
* 49	623 177 7476	Solenoid Control Valve UKV-30D40	2	854-2-4548-20800
50	623 101 8968	Strainer Ass'y	2	854-0-4522-13100

NOTE: Metal and plastic parts will be supplied basically with necessary heat insulation pads or packing.
Each key number with an asterisk (*) means the recommended service parts.

ATTENTION !

To ensure correct parts supply, please let us know followings,
when you make service parts order:

1.Part No. 2.Description 3.Q'ty 4.Volts-Hz-Ph 5.Product Model No.

CHDZ09053
OUTDOOR UNIT

Key No.	Part No.	Description	Q'ty	Reference No.
* 51	623 183 4544	Transformer Ass'y CL-9	1	8FA-0-5263-02200
52	623 201 0565	Front Panel	1	854-2-1116-203H4
* 53	623 300 4600	Reversing Valve STF-0311G	2	854-2-4508-19300
54	623 201 0558	Front Panel	1	854-2-1116-23803
55	623 184 0897	Front Panel	1	854-2-1116-20103
* 56	623 200 4083	Thermistor NSK-BD035I-082	1	1FA-4-V2E0-36900
57	623 189 9222	Packing	3	854-2-2366-90600
* 58	623 183 4407	Thermistor Ass'y PTC-51H	1	8FA-0-5259-10000
* 59	623 183 4391	Thermistor Ass'y PTC-51H	1	8FA-0-5259-10100
* 60	623 183 4384	Thermistor Ass'y PBM-41E	1	8FA-0-5259-10300
* 61	623 303 4003	Thermistor PB2M-D41E-S5	1	1FA-4-V2E0-39200
* 62	623 303 3990	Thermistor PB2M-D41E-S4	1	1FA-4-V2E0-39100
63	623 201 0589	Side Panel	2	854-2-1117-00113
* 64	623 183 4346	Thermistor Ass'y PB2M-41E	1	8FA-0-5259-11000
65	623 201 0664	Rear Panel	1	854-2-1103-37113
* 66	623 183 4452	Thermistor Ass'y PB2M-41E	1	8FA-0-5259-11200
67	623 304 9175	Elec. Wiring Diagram	1	8FA-2-5250-39200
68	623 148 5876	Mounting Thermostat	6	852-2-5303-22401
69	623 169 6487	Mounting Thermostat	1	852-2-5303-24801
* 70	623 201 5645	Magnetic Coil Ass'y TEV-MO AQ904B1	1	8FA-0-5251-20100
* 71	623 304 9168	Magnetic Coil Ass'y STF-01AQ505UA1	1	8FA-0-5251-25800
* 72	623 304 9151	Magnetic Coil Ass'y NEV-MO AQ547B1	1	8FA-0-5251-25900
* 73	623 189 8942	Magnetic Coil Ass'y UKV-U031E	1	8FA-0-5251-09000
* 74	623 189 9109	Magnetic Coil Ass'y UKV-U049E	1	8FA-0-5251-09300
* 75	623 189 9093	Magnetic Coil Ass'y UKV-U038E	1	8FA-0-5251-09500
76	623 183 4513	Cover,Elec.Component Box	1	854-2-5304-619H1
77	623 183 4506	Cover Plate	1	854-2-1133-42000
78	623 183 4490	Cover Plate	1	854-2-1133-41900
79	623 184 0941	Mounting Plate	2	854-2-1136-21303
80	623 184 0934	Mounting Plate	2	854-2-1136-21403
* 81	623 201 0695	Fan Motor GCG21804-T8SA-U	1	1FA-4-M4A0-12900
* 82	623 191 5793	Thermostat CS-7L110	1	4-2339-60062
83	623 189 9208	Packing	2	854-2-2366-90500
84	638 004 3279	Insulation Special	2	854-2-2410-88700
85	623 183 4896	Insulation Special	2	854-2-2411-49100
86	623 177 4550	Cooler	1	854-2-5325-17201
87	623 183 4889	Cooler	1	854-2-5325-18201
88	623 183 4957	Packing	1	854-2-2366-81200
89	623 195 7007	Sheet	1	1FA-4-G1A0-10200
90	623 304 9182	Controller Ass'y CR-CHDZ14053	1	854-9-9536-05514
* 91	623 183 4902	Diode DF30DB80	1	1FA-4-V2D0-04000
* 92	623 201 0800	Transformer Ass'y CL-9	1	8FA-0-5263-06000
* 93	623 177 4437	Solenoid R152AA	1	1FA-4-L5C0-11500
* 94	623 160 5830	Magnet Relay FW-1S/3QULZ691	1	1FJ-4-S2B0-17400
* 95	623 201 5676	Terminal Base UK125-4J UL	1	1FA-4-J3A0-31600
* 96	638 013 2164	Terminal Base KTM-4J	1	1FJ-4-J3A0-03900
* 97	623 201 0701	Drain Pan Ass'y	1	854-0-2301-64003
* 98	623 304 9199	Magnetic Coil Ass'y TEV-MO AQ904B1	1	8FA-0-5251-26000
99	623 183 4612	Sheet Rubber	4	854-2-1353-17300
* 100	623 183 4605	Heat Exch Ass'y	1	854-0-4124-50500

NOTE: Metal and plastic parts will be supplied basically with necessary heat insulation pads or packing.
Each key number with an asterisk (*) means the recommended service parts.

ATTENTION !

To ensure correct parts supply, please let us know followings,
when you make service parts order:

1.Part No. 2.Description 3.Q'ty 4.Volts-Hz-Ph 5.Product Model No.

CHDZ09053
OUTDOOR UNIT

Key No.	Part No.	Description	Q'ty	Reference No.
* 101	623 183 4599	Heat Exch Ass'y	1	854-0-4124-50600
102	623 183 4148	Badge	1	854-2-1354-31902
* 103	623 201 0930	P.C.B. Ass'y FIL-CHDX14053	1	854-9-9536-05384
104	623 183 4568	Guard	2	854-2-1113-27800
105	623 183 4704	Mounting Plate	1	854-2-2361-99600
106	623 184 2136	Spacer SPLSN-7	2	851-2-5366-03900
107	623 306 8893	Cover Plate	1	854-2-1133-44302
108	623 201 0763	Cover Plate	1	854-2-2342-86310
* 109	623 201 0947	P.C.B. Ass'y HIC-CHDX14053	1	854-9-9536-05383
110	623 183 4964	Insulation	1	854-2-1408-95400
111	623 027 0398	Eyelet	3	800-2-5309-10600
112	623 201 5690	Mounting Plate	1	854-2-5309-38111
* 113	623 201 5683	Compressor Ass'y C-9RVN273H0S	1	854-0-4525-33600
114	623 169 5190	Eyelet Rubber Lead Wire	1	801-2-5304-12600
115	626 040 0826	Cap Terminal Cover	1	801-2-6195-10700
116	626 040 0512	Clip	1	801-2-5340-10500
117	623 201 0794	Elec Component Box Ass'y	1	854-0-5311-08201
* 118	623 300 9605	Compressor Ass'y JT170G-KTTJ	1	854-0-4525-33900
119	623 097 1677	Spacer SPLSN-6	5	851-2-5366-03800
120	623 183 4711	Mounting Plate	2	854-2-2362-00201
* 121	623 201 0787	Heater Ass'y CH5700	1	8FA-0-5255-05100
* 122	623 201 0770	Heater Ass'y CH5700	1	8FA-0-5255-05200
123	623 183 4803	Mounting Plate	1	854-2-2362-00101
124	623 183 4797	Receiver Tank Ass'y	1	854-0-4110-90311
125	623 192 9660	Accumulator Ass'y	1	854-0-4517-51901
126	623 143 5970	Strainer Ass'y	1	852-0-4506-18400
127	623 096 5966	Spacer SPLSN-4	10	851-2-5366-03700
128	623 201 5713	Bottom Plate Ass'y	1	854-0-2204-65413
129	623 184 1122	Side Panel	1	854-2-1102-97503
130	623 184 1139	Side Panel	2	854-2-1102-97603
131	623 077 2564	Cushion Rubber	3	854-2-2318-13200
132	638 019 4728	Cushion Rubber	3	854-2-2318-14500
133	623 183 4650	Spacer	6	854-2-2349-22000
134	623 189 9161	Cover Plate	1	854-2-2342-869H1
135	623 095 4960	Washer Special	6	854-2-1355-13300
136	623 170 9422	Bolt Special	6	854-2-2348-15400
137	638 003 9852	Capillary Tube	1	854-2-4231-69600
138	628 012 9219	Fixture Cord	2	731-2-5323-12000
139	623 096 5973	Spacer SPSN-4	1	851-2-5366-04100
140	623 189 9307	Cover Plate	1	854-2-2342-86601
141	623 189 9086	Cover Plate	1	854-2-2342-86701
142	623 189 9079	Cover Plate	1	854-2-2342-86801
* 143	623 200 4090	Thermistor NSK-BD035I-083	1	1FA-4-V2E0-37000

NOTE: Metal and plastic parts will be supplied basically with necessary heat insulation pads or packing. Each key number with an asterisk (*) means the recommended service parts.

For Parts or Service Contact
SANYO HVAC SERVICE CENTER
SANYO Fisher Service Company
1165 Allgood Road, Suite 22, Marietta, GA 30062 U.S.A.
300 Applewood Crescent, Concord, Ontario, L4K 5C7, CANADA
3/08 Printed in Japan