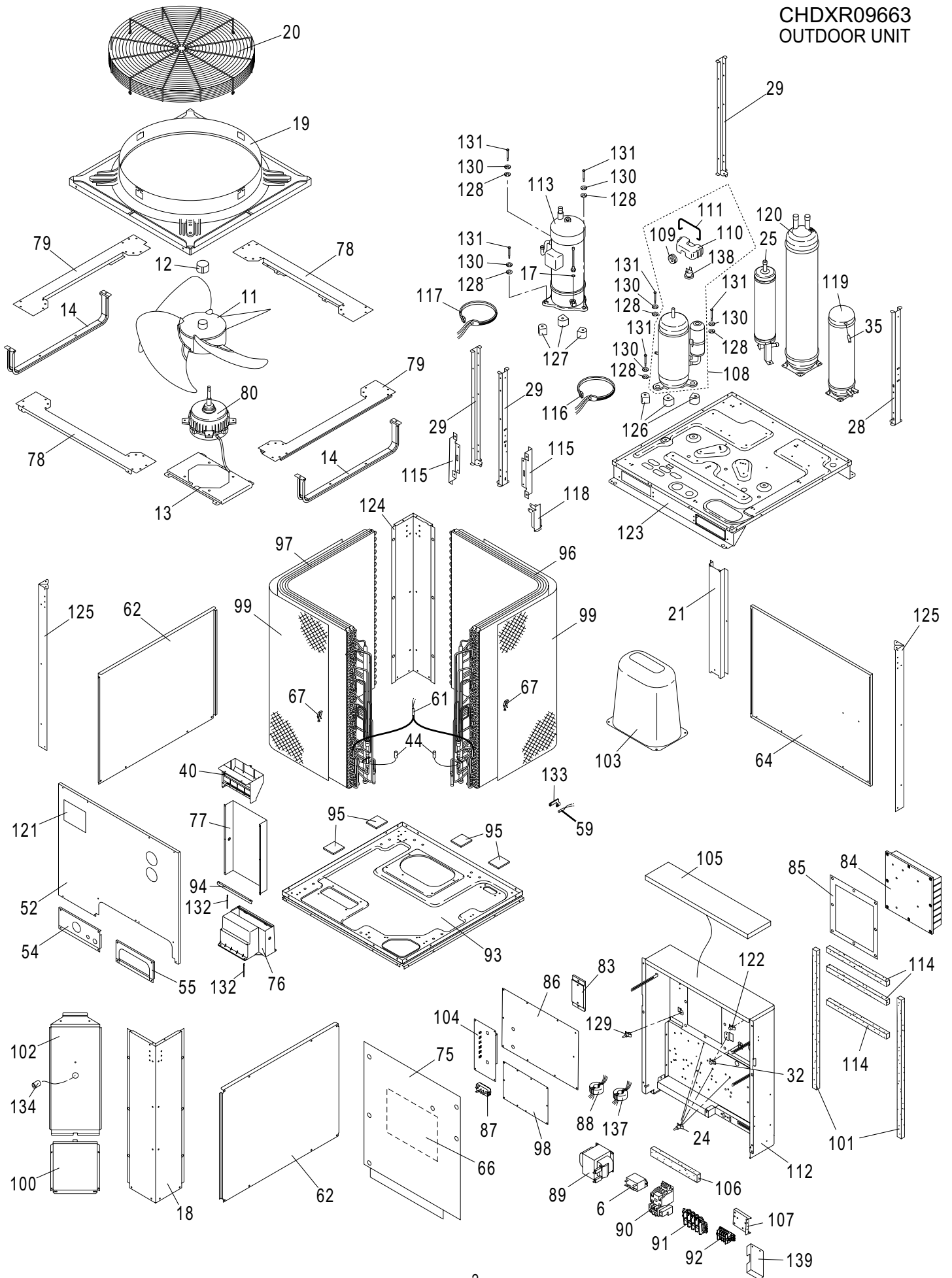
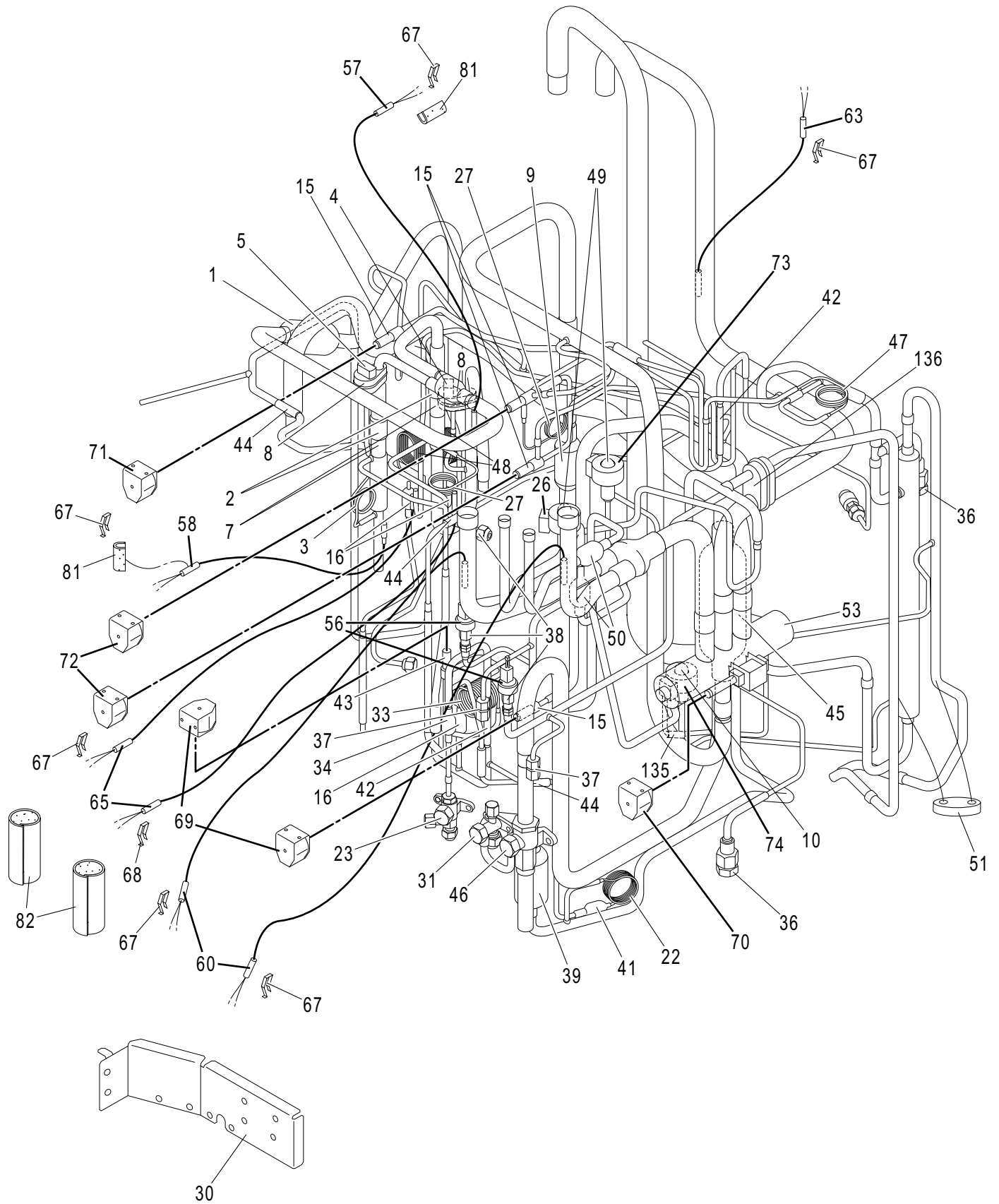


CHDXR09663  
OUTDOOR UNIT





**ATTENTION !**

To ensure correct parts supply, please let us know followings,  
when you make service parts order:

1.Part No. 2.Description 3.Q'ty 4.Volts-Hz-Ph 5.Product Model No.

CHDXR09663  
OUTDOOR UNIT

KeyNo.	Part No.	Description	Q'ty	Reference No.
1	623 043 4097	Strainer Ass'y	1	852-0-4506-14400
* 2	623 170 9361	Check Valve Ass'y BCV-1005DYQ45	2	854-0-4518-18600
3	623 170 9873	Capillary Tube	1	854-2-4237-25000
* 4	623 201 0527	Switch Ass'y ACB-4UB54W	1	8FA-0-5257-04700
* 5	623 201 0510	Switch Ass'y ACB-4UB54W	1	8FA-0-5257-04800
* 6	623 131 2547	Relay G7L-2A-TUB	1	4-2329-56722
7	623 177 4260	Mounting Plate	2	854-2-4134-70401
8	623 078 4871	Protection Rubber	2	854-2-2356-11100
* 9	638 006 4168	Check Valve Ass'y	1	854-0-4518-17000
* 10	623 183 8207	Solenoid Control Valve UKV-18D39	1	829-2-4505-15300
11	623 201 0534	Propeller Fan Ass'y	1	826-0-2502-10310
12	623 166 5711	Cap	1	826-2-1124-11800
13	623 184 0781	Support Fan Motor	1	854-2-2516-39203
14	623 184 0774	Support Fan Motor	2	854-2-2516-39102
* 15	623 183 4117	Solenoid Valve TEV-1920D	4	854-2-4549-17100
16	623 043 3984	Strainer Ass'y	3	852-0-4506-13300
17	623 194 7671	O-Ring	1	854-2-2359-15600
18	623 311 9168	Side Panel	1	854-2-1117-05603
19	623 201 0541	Top Cover	1	854-2-1106-40010
20	623 183 4186	Guard Ass'y	1	854-0-1113-25301
21	623 184 0798	Cover Plate	1	854-2-1133-42403
22	623 189 8904	Capillary Tube	1	854-2-4237-50000
23	623 189 8898	Valve Ass'y IVB-202TCS	1	854-0-4521-40000
24	623 097 1677	Spacer SPLSN-6	5	851-2-5366-03800
25	623 189 8959	Oil Separator Ass'y	1	854-0-4523-17101
* 26	623 189 8942	Magnetic Coil Ass'y(MOV1) UKV-U031E	1	8FA-0-5251-09000
27	638 003 9814	Capillary Tube	2	854-2-4231-67900
28	623 184 0859	Mounting Plate	1	854-2-2361-99102
29	623 184 0842	Mounting Plate	3	854-2-2361-99202
30	623 302 8323	Support valve	1	854-2-4129-32802
31	623 201 7199	Valve Ass'y 3/8 in.	1	854-0-4504-32700
32	623 184 2136	Spacer SPLSN-7	2	851-2-5366-03900
33	623 189 8966	Capillary Tube	1	854-2-4237-50200
34	623 043 4202	Strainer Ass'y	1	852-0-4506-15900
35	623 000 5303	Half Union	1	3-9328-10200
36	623 191 4185	Fusible Plug	2	854-2-4306-15800
* 37	623 179 6279	Check Valve Ass'y	2	852-0-4204-13610
38	623 063 8280	Charge Port Ass'y	3	853-0-4514-80300
39	623 070 9287	Strainer Ass'y	1	854-0-4522-10200
40	623 189 9307	Cover Plate	1	854-2-2342-86601

NOTE: Metal and plastic parts will be supplied basically with necessary heat insulation pads or packing. Each key number with an asterisk (\*) means the recommended service parts.

**ATTENTION !**

To ensure correct parts supply, please let us know followings,  
when you make service parts order:

1.Part No. 2.Description 3.Q'ty 4.Volts-Hz-Ph 5.Product Model No.

CHDXR09663  
OUTDOOR UNIT

KeyNo.	Part No.	Description	Q'ty	Reference No.
41	623 184 6745	Strainer Ass'y	1	854-0-4522-15800
* 42	623 140 7731	Check Valve Ass'y FCV-3020DQ1	2	852-0-4204-13300
* 43	623 183 4278	Solenoid Valve TEV-1620DQ14	1	854-2-4549-17200
44	623 119 3320	Mounting Rubber, Tube	9	854-2-4315-23400
45	623 160 4543	Strainer Ass'y	1	826-0-4506-11400
46	623 189 8980	Valve Ass'y 3/4 in.	1	854-0-4507-28900
47	638 003 9883	Capillary Tube	1	854-2-4231-67600
48	623 311 9182	Capillary Tube	2	854-2-4237-64600
* 49	623 177 7476	Solenoid Control Valve UKV-30D40	2	854-2-4548-20800
50	623 101 8968	Strainer Ass'y	2	854-0-4522-13100
51	623 171 0473	Mounting Rubber, Tube	1	854-2-4315-38700
52	623 201 0565	Front Panel	1	854-2-1116-203H4
* 53	623 181 5222	Reversing Valve STF-0712G	1	854-2-4508-18800
54	623 201 0558	Front Panel	1	854-2-1116-23803
55	623 184 0897	Front Panel	1	854-2-1116-20103
* 56	623 190 3073	Thermistor(LPS,HPS) NSK-BA035I-126	2	1FA-4-V2E0-34400
* 57	623 309 7749	Thermistor Ass'y(DISCH1) DTNC583G3UTKS356	1	8FA-0-5259-43100
* 58	623 309 7732	Thermistor Ass'y(DISCH2) DTNC583G3UTKS356	1	8FA-0-5259-43200
* 59	623 311 9199	Thermistor Ass'y(AIR TEMP) DTNC532G3HTKS358	1	8FA-0-5259-46400
* 60	623 201 0602	Thermistor Ass'y(EXG1,2) PB2M-41E	1	8FA-0-5259-24800
* 61	623 201 0596	Thermistor Ass'y(EXL1,2) PB2M-41E	1	8FA-0-5259-24700
62	623 201 0589	Side Panel	2	854-2-1117-00113
* 63	623 183 4346	Thermistor Ass'y(SCT) PB2M-41E	1	8FA-0-5259-11000
64	623 201 0664	Rear Panel	1	854-2-1103-37113
* 65	623 183 4452	Thermistor Ass'y(OIL1,2) PB2M-41E	1	8FA-0-5259-11200
66	623 201 0640	Elec. Wiring Diagram	1	8FA-2-5257-97000
67	623 148 5876	Mounting Thermostat	8	852-2-5303-22401
68	623 169 6487	Mounting Thermostat	1	852-2-5303-24801
* 69	623 201 5669	Magnetic Coil Ass'y(BPV) TEV-MOAQ904B1	1	8FA-0-5251-20000
* 70	623 201 5652	Magnetic Coil Ass'y(20S) STF-01AQ505UA1	1	8FA-0-5251-20400
* 71	623 201 5645	Magnetic Coil Ass'y(SAVE) TEV-MOAQ904B1	1	8FA-0-5251-20100
* 72	623 201 5638	Magnetic Coil Ass'y(RCV,RBV) TEV-MOAQ904B1	1	8FA-0-5251-20200
* 73	623 189 9109	Magnetic Coil Ass'y(MOV2) UKV-U049E	1	8FA-0-5251-09300
* 74	623 189 9093	Magnetic Coil Ass'y(MOV4) UKV-U038E	1	8FA-0-5251-09500
75	623 184 0910	Cover,Elec.Component Box	1	854-2-5304-619H3
76	623 189 9086	Cover Plate	1	854-2-2342-86701
77	623 301 8751	Cover Plate	1	854-2-2342-86803
78	623 184 0941	Mounting Plate	2	854-2-1136-21303
79	623 184 0934	Mounting Plate	2	854-2-1136-21403
* 80	623 310 0654	Fan Motor GCG21804-T8SA-UZ	1	1FA-4-M4A0-12950

NOTE: Metal and plastic parts will be supplied basically  
with necessary heat insulation pads or packing.  
Each key number with an asterisk (\*) means the  
recommended service parts.

**ATTENTION !**

To ensure correct parts supply, please let us know followings,  
when you make service parts order:

1.Part No. 2.Description 3.Q'ty 4.Volts-Hz-Ph 5.Product Model No.

CHDXR09663  
OUTDOOR UNIT

KeyNo.	Part No.	Description	Q'ty	Reference No.
81	638 004 3279	Insulation Special	2	854-2-2410-88700
82	623 310 6113	Insulation Special	2	854-2-2411-59100
83	623 177 4550	Cooler	1	854-2-5325-17201
84	623 183 4889	Cooler	1	854-2-5325-18201
85	623 195 7007	Sheet	1	1FA-4-G1A0-10200
* 86	623 311 9212	Controller Ass'y CR-CHDX09663	1	854-9-9536-05706
* 87	623 183 4902	Diode DF30DB80	1	1FA-4-V2D0-04000
* 88	623 183 4544	Transformer Ass'y CL-9	1	8FA-0-5263-02200
* 89	623 177 4437	Reactor R152AA	1	1FA-4-L5C0-11500
* 90	623 160 5830	Magnet Relay FW-1S/3QULZ691	1	1FJ-4-S2B0-17400
* 91	623 201 5676	Terminal Base UK125-4J UL	1	1FA-4-J3A0-31600
* 92	638 013 2164	Terminal Base KTM-4J	1	1FJ-4-J3A0-03900
* 93	623 201 0701	Drain Pan Ass'y	1	854-0-2301-64003
94	623 301 8744	Cover Plate	1	854-2-2342-869H3
95	623 183 4612	Sheet Rubber	4	854-2-1353-17300
* 96	623 313 4475	Heat Exch Ass'y	1	854-0-4124-56802
* 97	623 313 4468	Heat Exch Ass'y	1	854-0-4124-56502
* 98	623 201 0930	P.C.B. Ass'y FIL-CHDX14053	1	854-9-9536-05384
99	623 189 9130	Guard	2	854-2-1113-29000
100	623 201 0725	Mounting Plate	1	854-2-2362-06503
101	623 189 9208	Packing	2	854-2-2366-90500
102	623 311 9229	Cover Plate	1	854-2-2342-86403
103	623 201 0763	Cover Plate	1	854-2-2342-86310
* 104	623 201 0947	P.C.B. Ass'y HIC-CHDX14053	1	854-9-9536-05383
105	623 183 4964	Insulation	1	854-2-1408-95400
106	623 183 4957	Packing	1	854-2-2366-81200
107	623 310 0661	Mounting Plate	1	854-2-5309-38113
* 108	623 201 5683	Compressor Ass'y C-9RVN273H0S	1	854-0-4525-33600
109	623 169 5190	Eyelet Rubber Lead Wire	1	801-2-5304-12600
110	626 040 0826	Cap Terminal Cover	1	801-2-6195-10700
111	626 040 0512	Clip	1	801-2-5340-10500
112	623 301 8775	Elec Component Box Ass'y	1	854-0-5311-08203
* 113	623 300 9599	Compressor Ass'y JT160G-KTTJ	1	854-0-4525-33800
114	623 189 9222	Packing	3	854-2-2366-90600
115	623 184 1108	Mounting Plate	2	854-2-2362-00203
* 116	623 201 0787	Heater Ass'y CH5700	1	8FA-0-5255-05100
* 117	623 201 0770	Heater Ass'y CH5700	1	8FA-0-5255-05200
118	623 184 1115	Mounting Plate	1	854-2-2362-00103
119	623 184 1078	Receiver Tank Ass'y	1	854-0-4110-90313
120	623 192 9899	Accumulator Ass'y	1	854-0-4517-51701

NOTE: Metal and plastic parts will be supplied basically  
with necessary heat insulation pads or packing.  
Each key number with an asterisk (\*) means the  
recommended service parts.

**ATTENTION !**

To ensure correct parts supply, please let us know followings,  
when you make service parts order:

1.Part No. 2.Description 3.Q'ty 4.Volts-Hz-Ph 5.Product Model No.

CHDXR09663  
OUTDOOR UNIT

KeyNo.	Part No.	Description	Q'ty	Reference No.
121	623 192 9882	Badge	1	854-2-1354-31905
122	623 096 5973	Spacer SPSN-4	1	851-2-5366-04100
123	623 201 5713	Bottom Plate Ass'y	1	854-0-2204-65413
124	623 311 9175	Side Panel	1	854-2-1102-99803
125	623 311 9151	Side Panel	2	854-2-1102-99903
126	623 077 2564	Cushion Rubber	3	854-2-2318-13200
127	638 019 4728	Cushion Rubber	3	854-2-2318-14500
128	623 183 4650	Spacer	6	854-2-2349-22000
129	623 096 5966	Spacer SPLSN-4	10	851-2-5366-03700
130	623 095 4960	Washer Special	6	854-2-1355-13300
131	623 170 9422	Bolt Special	6	854-2-2348-15400
132	628 012 9219	Fixture Cord	2	731-2-5323-12000
133	623 192 7291	Support Thermo	1	854-2-2235-18700
134	623 118 1594	Insulation Special	1	854-2-2410-73000
135	638 018 5689	Mounting Rubber, Tube	1	854-2-4315-23700
136	623 188 0756	Mounting Rubber, Tube	1	854-2-4315-25600
* 137	623 201 0800	Transformer Ass'y CL-9	1	8FA-0-5263-06000
* 138	623 191 5793	Thermostat CS-7L110	1	4-2339-60062
139	623 311 9816	Mounting Plate	1	854-2-5309-41913

NOTE: Metal and plastic parts will be supplied basically with necessary heat insulation pads or packing. Each key number with an asterisk (\*) means the recommended service parts.

For Parts or Service Assistance please contact your local Sanyo HVAC Contractor or Distributor

United States: SCS, HVAC Solutions

Web: [www.SanyoHVAC.com](http://www.SanyoHVAC.com)

Parts: [hvac.parts@sna.sanyo.com](mailto:hvac.parts@sna.sanyo.com)

Service: [hvac.service@sna.sanyo.com](mailto:hvac.service@sna.sanyo.com)

Canada: Sanyo Canada Inc.

Web: [www.SanyoHVAC.com](http://www.SanyoHVAC.com)

Parts/Service: [hvac@sci.sanyo.com](mailto:hvac@sci.sanyo.com)

Dec / '09 Printed in U.S.A