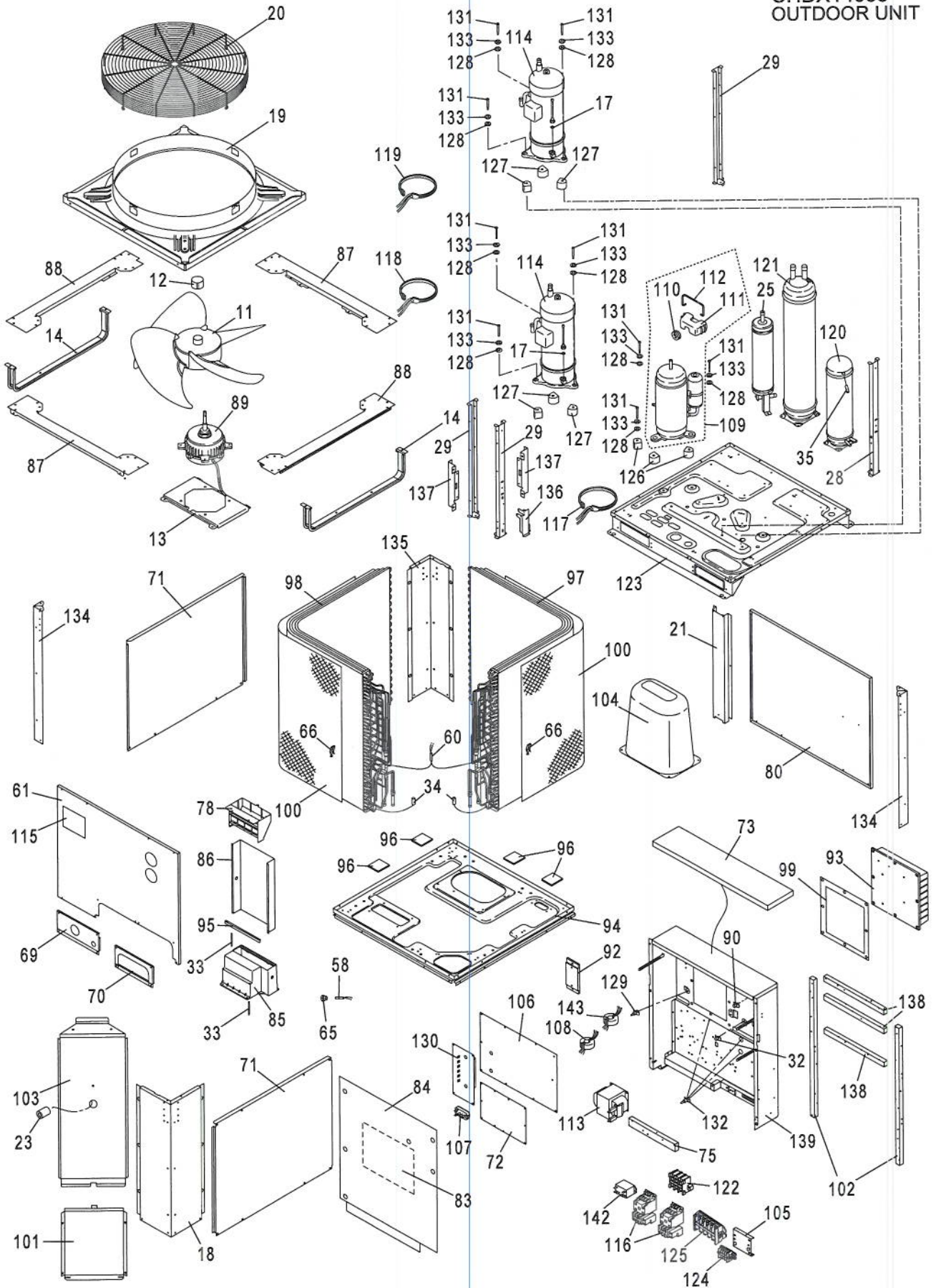
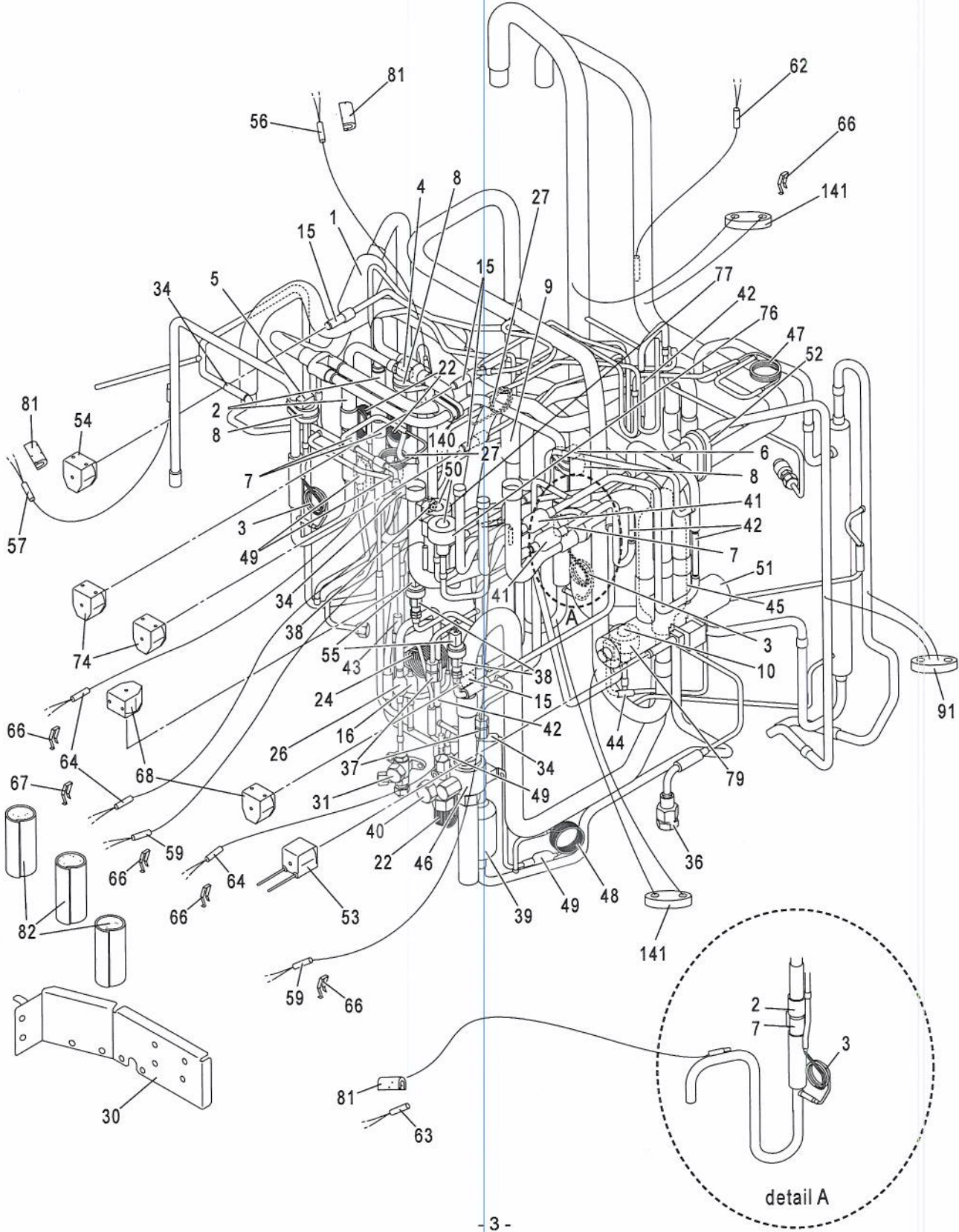


CHDX14053
OUTDOOR UNIT





ATTENTION !

To ensure correct parts supply, please let us know followings,
when you make service parts order:

1.Part No. 2.Description 3.Q'ty 4.Volts-Hz-Ph 5.Product Model No.

CHDX14053
OUTDOOR UNIT

Key No.	Part No.	Description	Q'ty	Reference No.
1	623 043 4097	Strainer Ass'y	1	852-0-4506-14400
* 2	623 170 9361	Check Valve Ass'y BCV-1005DYQ45	3	854-0-4518-18600
3	623 170 9873	Capillary Tube	2	854-2-4237-25000
* 4	623 201 0527	Switch Ass'y ACB-4UB54W	1	8FA-0-5257-04700
* 5	623 201 0510	Switch Ass'y ACB-4UB54W	1	8FA-0-5257-04800
* 6	623 201 1074	Switch Ass'y ACB-4UB54W	1	8FA-0-5257-04900
7	623 177 4260	Mounting Plate	3	854-2-4134-70401
8	623 078 4871	Protection Rubber	3	854-2-2356-11100
* 9	638 006 4168	Check Valve Ass'y	1	854-0-4518-17000
* 10	623 183 8207	Solenoid Control Valve UKV-18D39	1	829-2-4505-15300
11	623 201 0534	Propeller Fan Ass'y	1	826-0-2502-10310
12	623 166 5711	Cap	1	826-2-1124-11800
13	623 184 0781	Support Fan Motor	1	854-2-2516-39203
14	623 184 0774	Support Fan Motor	2	854-2-2516-39102
* 15	623 183 4117	Solenoid Valve TEV-1920D	4	854-2-4549-17100
16	623 043 3984	Strainer Ass'y	1	852-0-4506-13300
17	623 194 7671	O-Ring	2	854-2-2359-15600
18	623 184 0804	Side Panel	1	854-2-1102-97403
19	623 201 0541	Top Cover	1	854-2-1106-40010
20	623 183 4186	Guard Ass'y	1	854-0-1113-25301
21	623 183 4179	Cover Plate	1	854-2-1133-42400
22	623 189 8973	Capillary Tube	3	854-2-4237-50100
23	623 118 1594	Insulation Special	1	854-2-2410-73000
24	623 189 8966	Capillary Tube	1	854-2-4237-50200
25	623 189 8959	Oil Separator Ass'y	1	854-0-4523-17101
26	623 043 4202	Strainer Ass'y	1	852-0-4506-15900
27	638 003 9814	Capillary Tube	2	854-2-4231-67900
28	623 183 4247	Mounting Plate	1	854-2-2361-99100
29	623 183 4230	Mounting Plate	3	854-2-2361-99200
30	623 189 8935	Support valve	1	854-2-4129-32800
31	623 189 8898	Valve Ass'y IVB-202TCS	1	854-0-4521-40000
32	623 184 2136	Spacer SPLSN-7	3	851-2-5366-03900
33	628 012 9219	Fixture Cord	2	731-2-5323-12000
34	623 119 3320	Mounting Rubber, Tube	5	854-2-4315-23400
35	623 000 5303	Half Union	1	3-9328-10200
36	623 191 4185	Fusible Plug	1	854-2-4306-15800
* 37	623 179 6279	Check Valve Ass'y	2	852-0-4204-13610
38	623 063 8280	Charge Port Ass'y	3	853-0-4514-80300
39	623 070 9287	Strainer Ass'y	1	854-0-4522-10200
40	623 189 9352	Valve Ass'y 1/2 in.	1	854-0-4505-24100
41	623 070 9300	Strainer Ass'y	2	854-0-4522-10400
* 42	623 140 7731	Check Valve Ass'y FCV-3020DQ1	4	852-0-4204-13300
* 43	623 183 4278	Solenoid Valve TEV-1620DQ14	1	854-2-4549-17200
44	638 018 5689	Mounting Rubber, Tube	1	854-2-4315-23700
45	623 160 4543	Strainer Ass'y	1	826-0-4506-11400
46	623 183 8221	Valve Ass'y	1	854-0-4521-30600
47	638 003 9883	Capillary Tube	1	854-2-4231-67600
48	623 189 8904	Capillary Tube	1	854-2-4237-50000
49	623 184 6745	Strainer Ass'y	4	854-0-4522-15800
* 50	623 183 8238	Solenoid Control Valve UKV-32D41	2	854-2-4548-21100

NOTE: Metal and plastic parts will be supplied basically with necessary heat insulation pads or packing. Each key number with an asterisk (*) means the recommended service parts.

ATTENTION !

To ensure correct parts supply, please let us know followings,
when you make service parts order:

1.Part No. 2.Description 3.Q'ty 4.Volts-Hz-Ph 5.Product Model No.

CHDX14053
OUTDOOR UNIT

Key No.	Part No.	Description	Q'ty	Reference No.
* 51	623 181 5222	Reversing Valve STF-0712G	1	854-2-4508-18800
52	623 188 0756	Mounting Rubber, Tube	1	854-2-4315-25600
* 53	623 201 5652	Magnetic Coil Ass'y STF-01AQ505UA1	1	8FA-0-5251-20400
* 54	623 201 5645	Magnetic Coil Ass'y TEV-MOAQ904B1	1	8FA-0-5251-20100
* 55	623 190 3073	Thermistor NSK-BA035I-126	2	1FA-4-V2E0-34400
* 56	623 201 0633	Thermistor Ass'y PTC-51H	1	8FA-0-5259-24300
* 57	623 201 0626	Thermistor Ass'y PTC-51H	1	8FA-0-5259-24400
* 58	623 201 0619	Thermistor Ass'y PBM-41E	1	8FA-0-5259-24600
* 59	623 201 0602	Thermistor Ass'y PB2M-41E	1	8FA-0-5259-24800
* 60	623 201 0596	Thermistor Ass'y PB2M-41E	1	8FA-0-5259-24700
61	623 201 0565	Front Panel	1	854-2-1116-203H4
* 62	623 201 0572	Thermistor Ass'y PB2M-41E	1	8FA-0-5259-24900
* 63	623 201 1081	Thermistor Ass'y PTC-51H	1	8FA-0-5259-24500
* 64	623 201 1098	Thermistor Ass'y PB2M-41E	1	8FA-0-5259-25100
65	623 027 4990	Bushing	1	800-2-5337-17900
66	623 148 5876	Mounting Thermostat	7	852-2-5303-22401
67	623 169 6487	Mounting Thermostat	1	852-2-5303-24801
* 68	623 201 5669	Magnetic Coil Ass'y TEV-MOAQ904B1	1	8FA-0-5251-20000
69	623 201 0558	Front Panel	1	854-2-1116-23803
70	623 184 0897	Front Panel	1	854-2-1116-20103
71	623 201 0589	Side Panel	2	854-2-1117-00113
* 72	623 201 0930	P.C.B. Ass'y FIL-CHDX14053	1	854-9-9536-05384
73	623 183 4964	Insulation	1	854-2-1408-95400
* 74	623 201 5720	Magnetic Coil Ass'y TEV-MOAQ904B1	1	8FA-0-5251-20300
75	623 183 4957	Packing	1	854-2-2366-81200
* 76	623 189 8942	Magnetic Coil Ass'y UKV-U031E	1	8FA-0-5251-09000
* 77	623 189 9109	Magnetic Coil Ass'y UKV-U049E	1	8FA-0-5251-09300
78	623 189 9307	Cover Plate	1	854-2-2342-86601
* 79	623 189 9093	Magnetic Coil Ass'y UKV-U038E	1	8FA-0-5251-09500
80	623 201 0664	Rear Panel	1	854-2-1103-37113
81	638 004 3279	Insulation Special	3	854-2-2410-88700
82	623 183 4896	Insulation Special	3	854-2-2411-49100
83	623 201 1104	Elec. Wiring Diagram	1	8FA-2-5257-97100
84	623 183 4513	Cover,Elec.Component Box	1	854-2-5304-619H1
85	623 189 9086	Cover Plate	1	854-2-2342-86701
86	623 189 9079	Cover Plate	1	854-2-2342-86801
87	623 184 0941	Mounting Plate	2	854-2-1136-21303
88	623 184 0934	Mounting Plate	2	854-2-1136-21403
* 89	623 201 0695	Fan Motor GCG21804-T8SA-U	1	1FA-4-M4A0-12900
90	623 096 5973	Spacer SPSN-4	1	851-2-5366-04100
91	623 171 0473	Mounting Rubber, Tube	1	854-2-4315-38700
92	623 177 4550	Cooler	1	854-2-5325-17201
93	623 183 4889	Cooler	1	854-2-5325-18201
* 94	623 201 0701	Drain Pan Ass'y	1	854-0-2301-64003
95	623 189 9161	Cover Plate	1	854-2-2342-869H1
96	623 183 4612	Sheet Rubber	4	854-2-1353-17300
* 97	623 192 9868	Heat Exch Ass'y	1	854-0-4124-57400
* 98	623 192 9851	Heat Exch Ass'y	1	854-0-4124-57500
99	623 195 7007	Sheet	1	1FA-4-G1A0-10200
100	623 183 4568	Guard	2	854-2-1113-27800

NOTE: Metal and plastic parts will be supplied basically with necessary heat insulation pads or packing. Each key number with an asterisk (*) means the recommended service parts.

ATTENTION !

To ensure correct parts supply, please let us know followings,
when you make service parts order:

1.Part No. 2.Description 3.Q'ty 4.Volts-Hz-Ph 5.Product Model No.

CHDX14053
OUTDOOR UNIT

Key No.	Part No.	Description	Q'ty	Reference No.
101	623 201 0725	Mounting Plate	1	854-2-2362-06503
102	623 189 9208	Packing	2	854-2-2366-90500
103	623 201 0718	Cover Plate	1	854-2-2342-87603
104	623 201 0763	Cover Plate	1	854-2-2342-86310
105	623 201 5690	Mounting Plate	1	854-2-5309-38111
* 106	623 201 0923	Controller Ass'y CR-CHDX14053	1	854-9-9536-05382
* 107	623-183-4902	Diode DF30DB80	1	1FA-4-V2D0-04000
* 108	623 183 8344	Transformer Ass'y CL-9	1	8FA-0-5263-02300
* 109	623 201 5683	Compressor Ass'y C-9RVN273H0S <i>Inverter</i>	1	854-0-4525-33600
110	623 169 5190	Eyelet Rubber Lead Wire	1	801-2-5304-12600
111	626 040 0826	Cap Terminal Cover	1	801-2-6195-10700
112	626 040 0512	Clip	1	801-2-5340-10500
* 113	623 177 4437	Reactor R152AA	1	1FA-4-L5C0-11500
* 114	623-201-5737	Compressor Ass'y JT170G-KTTJ <i>fixed</i>	2	854-0-4525-33500
115	623 192 9882	Badge	1	854-2-1354-31905
* 116	623 160 5830	Magnet Relay FW-1S/3QULZ691	2	1FJ-4-S2B0-17400
* 117	623 201 0787	Heater Ass'y CH5700	1	8FA-0-5255-05100
* 118	623 201 0770	Heater Ass'y CH5700	1	8FA-0-5255-05200
* 119	623 201 1111	Heater Ass'y CH5700	1	8FA-0-5255-05300
120	623 183 4797	Receiver Tank Ass'y	1	854-0-4110-90311
121	623 192 9899	Accumulator Ass'y	1	854-0-4517-51701
* 122	623 201 5744	Terminal Base KT60-3J UL/CSA	1	1FA-4-J3A0-31700
123	623 201 5713	Bottom Plate Ass'y	1	854-0-2204-65413
* 124	638 013 2164	Terminal Base KTM-4J	1	1FJ-4-J3A0-03900
* 125	623 201 5676	Terminal Base UK125-4J UL	1	1FA-4-J3A0-31600
126	623 077 2564	Cushion Rubber	3	854-2-2318-13200
127	638 019 4728	Cushion Rubber	6	854-2-2318-14500
128	623 183 4650	Spacer	9	854-2-2349-22000
129	623 096 5966	Spacer SPLSN-4	9	851-2-5366-03700
* 130	623 201 0947	P.C.B. Ass'y HIC-CHDX14053	1	854-9-9536-05383
131	623 170 9422	Bolt Special	9	854-2-2348-15400
132	623 097 1677	Spacer SPLSN-6	5	851-2-5366-03800
133	623 095 4960	Washer Special	9	854-2-1355-13300
134	623 184 1139	Side Panel	2	854-2-1102-97603
135	623 184 1122	Side Panel	1	854-2-1102-97503
136	623 183 4803	Mounting Plate	1	854-2-2362-00101
137	623 183 4711	Mounting Plate	2	854-2-2362-00201
138	623 189 9222	Packing	3	854-2-2366-90600
139	623 201 0794	Elec Component Box Ass'y	1	854-0-5311-08201
140	623 078 4864	Protection Rubber	1	854-2-2356-11000
141	638 004 2913	Mounting Rubber, Tube	2	854-2-4315-26500
* 142	623 131 2547	Relay G7L-2A-TUB	1	4-2329-56722
* 143	623 201 0800	Transformer Ass'y CL-9	1	8FA-0-5263-06000

NOTE: Metal and plastic parts will be supplied basically with necessary heat insulation pads or packing. Each key number with an asterisk (*) means the recommended service parts.

For Parts or Service Contact
SANYO HVAC SERVICE CENTER
SANYO Fisher Service Company
1165 Allgood Road, Suite 22, Marietta, GA 30062 U.S.A.
300 Applewood Crescent, Concord, Ontario, L4K 5C7, CANADA

9231932456

6233009605