

NC Series Parts Diagram

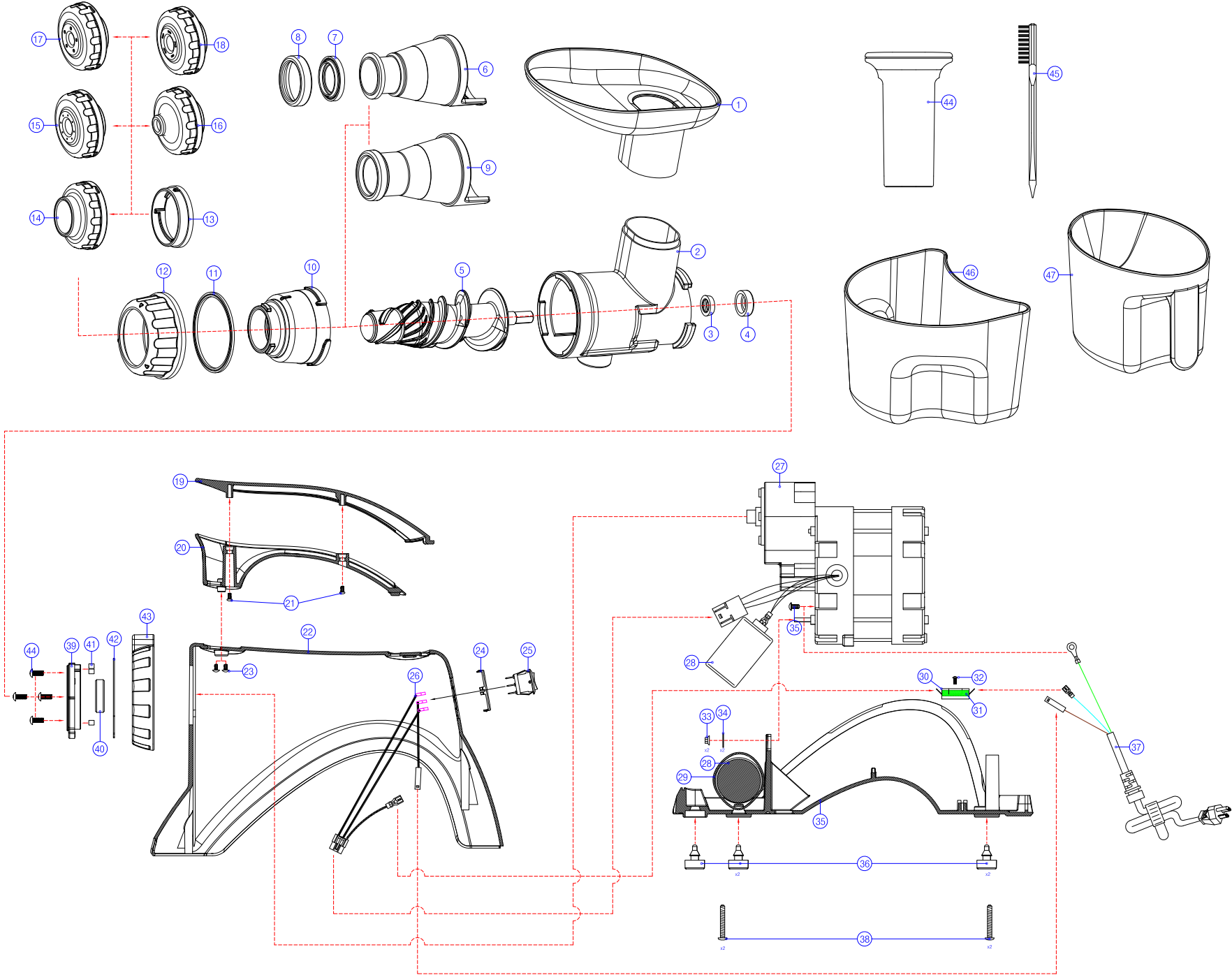


Diagram #	Part #	Description	Extended Description
1-4	PHPPRNCB	Hopper/Cover NC	with Black funnel
3	PNC-3	Drum Seal	
5	PSCREW846	Auger Black	
6-8	PSCRNNC	Juicing Screen NC	
9	PBLANKNC	Blank Screen NC	
10-12	PDRUMCAPNCB	Drum Cap NC Black	
10	PNC-10B	Drum Cap Base Black	
11	PNC-11	Drum Cap Seal	
12	PNC-12B	Drum Cap Adjuster Black	
13+14	PNOZZNCJ	Juicing Nozzle NC	
13+15-18	PNOZZSETNC	Complete Nozzle Set NC	includes 4 nozzles
19-21	PHANDLENCC	Handle NC900HDC - Chrome/Black	
	PHANDLENCR	Handle NC800HDR - Red/Black	
	PHANDLENCS	Handle NC800HDS - Silver/Black	
22	PBASEHSNCC	Base Housing NC900HDC - Chrome	
	PBASEHSNCR	Base Housing NC800HDR - Red	
	PBASEHDNCS	Base Housing NC800HDS - Silver	
23	PNC-23	Small Screw #1 NC	
24	PNC-24B	Switch Holder Ring - Black	
	PNC-24-COVER	Switch Cover	
25	PSWITCHNC	Power Switch NC	
26	PNC-26	Wiring Harness NC	
27	PMOTORNC	Motor NC 120V	
	PMOTORNC220	Motor NC 220V	
28	PCAP	Capacitor Low Speed	
30	PFUSE	Fuse Low Speed	
31	PFUSEH	Fuse Holder Low Speed	
32	PNC-32	Small Screw #2 NC	
33	PNC-33	Nut #1 NC	
34	PNC-34	Washer #1 NC	
35	PBASEPLNCB	Base Plate NC Black	
36	PFEETNC	Rubber Foot NC Gray	1pc
37	PCORD	Power Cord 120V	
38	PNC-38	Large Screw #1 NC	
39-41	PCLIPANC	Locking Clip Adapter NC	
42	PNC-42	Locking Clip Plate	
43	PLOCKNCB	Locking Clip NC Black	
44	PNC-44	Smal Screw #3 NC	
45	PBRUSH8235	Cleaning Brush Low Speed	