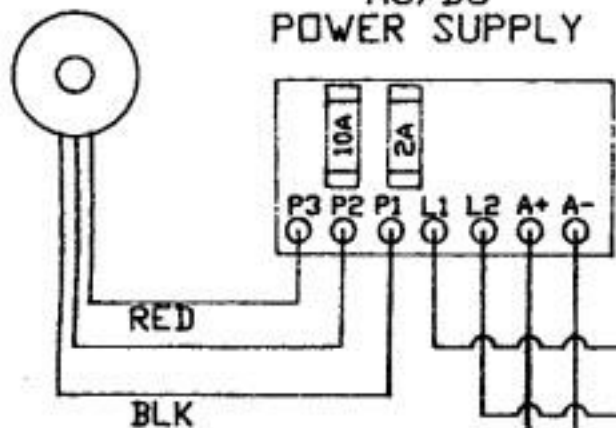


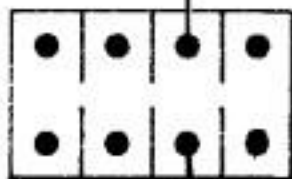
TIMER
CONNECTIONS 2, 7 - COIL
CONNECTIONS (3, 1) (8, 6) N.O. CONTACTS

No. VTS7173
POTENTIOMETER

AC/DC
POWER SUPPLY



JUNCTION
BLOCK

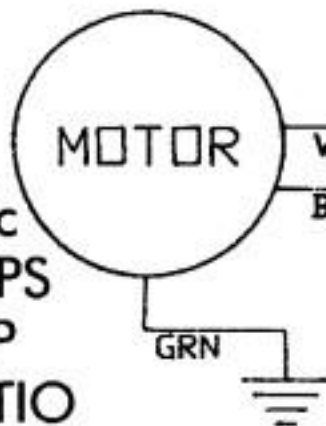


BLK 10

115V 60Hz
LINE

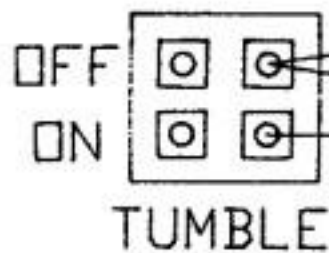
WHT 8

GRN

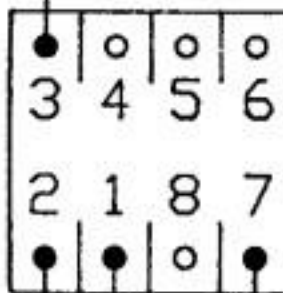


90V dc
.57 AMPS
1/25 HP
90:1 RATIO
185 RPM
118 lbs/m

TOGGLE
SWITCH



TIMER

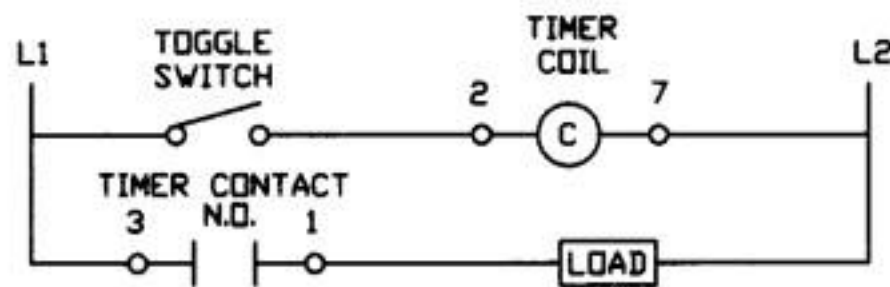


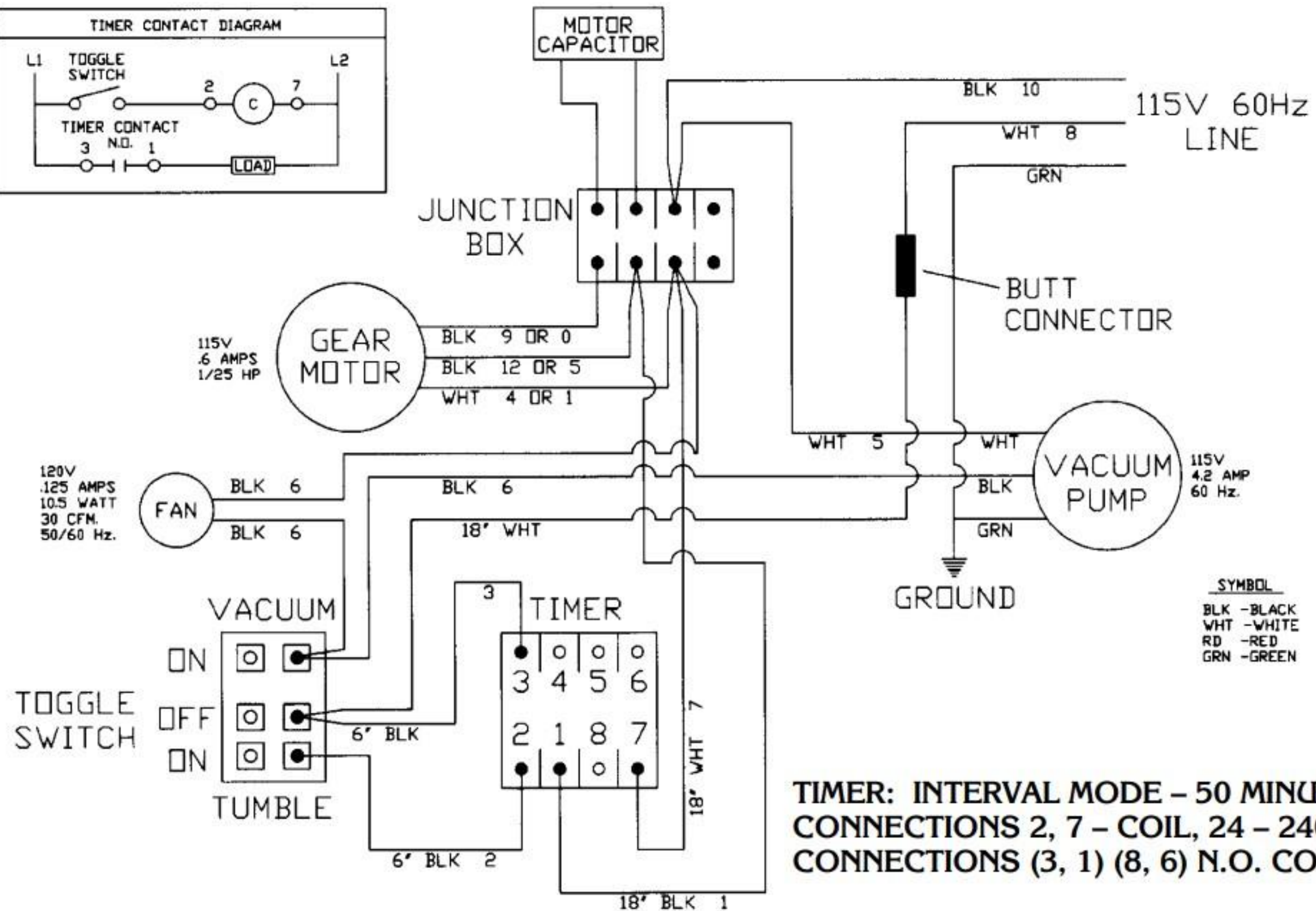
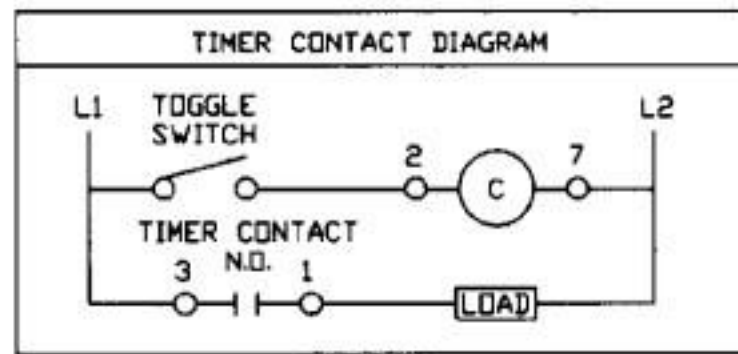
WHT 7

BLK 2

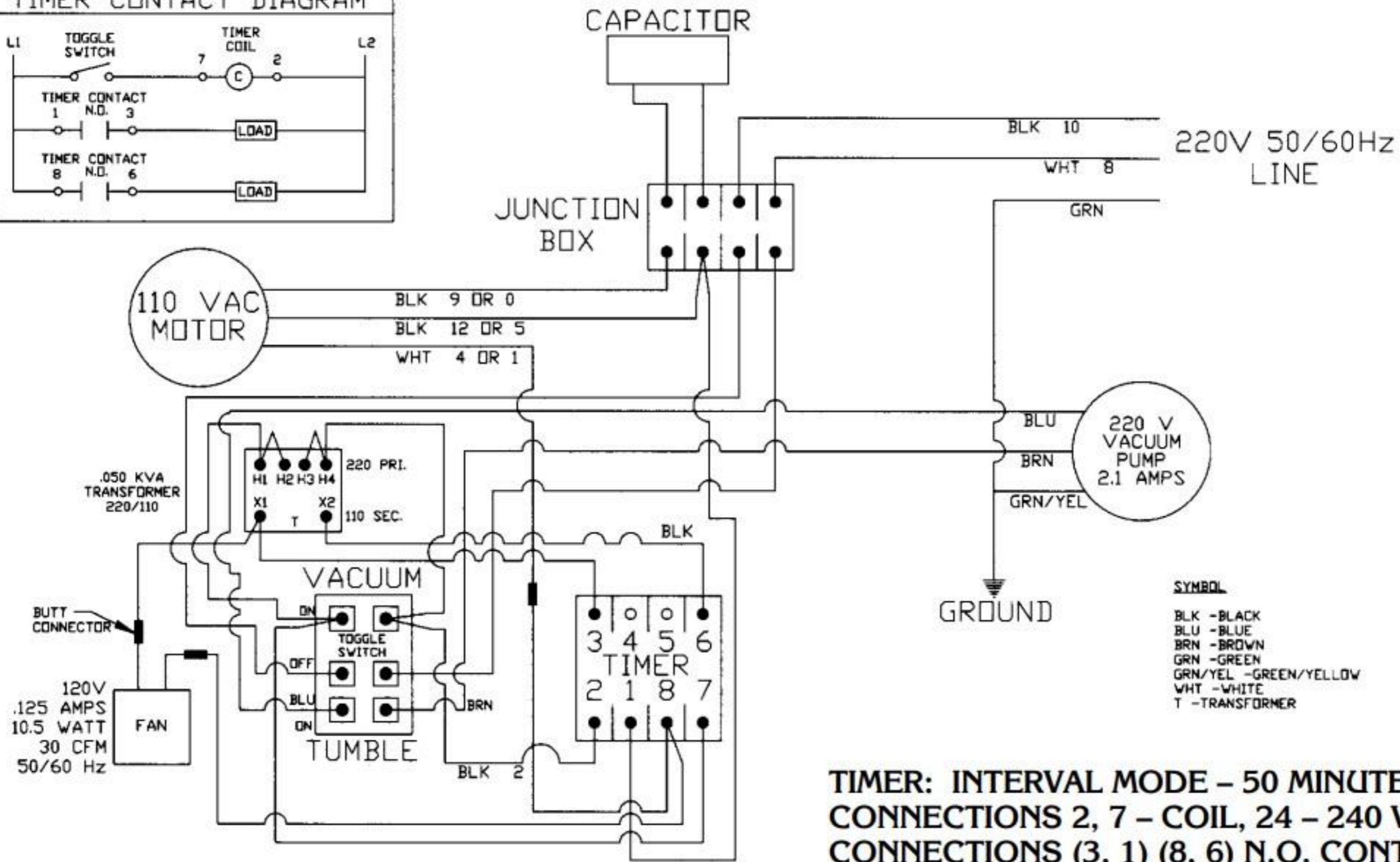
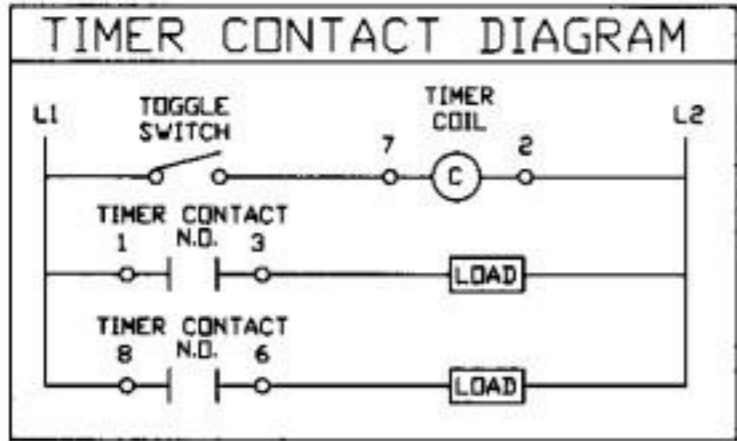
BLK 1

TIMER CONTACT DIAGRAM





TIMER: INTERVAL MODE - 50 MINUTES
CONNECTIONS 2, 7 - COIL, 24 - 240 VAC
CONNECTIONS (3, 1) (8, 6) N.O. CONTACTS



TIMER: INTERVAL MODE - 50 MINUTES
CONNECTIONS 2, 7 - COIL, 24 - 240 VAC
CONNECTIONS (3, 1) (8, 6) N.O. CONTACTS