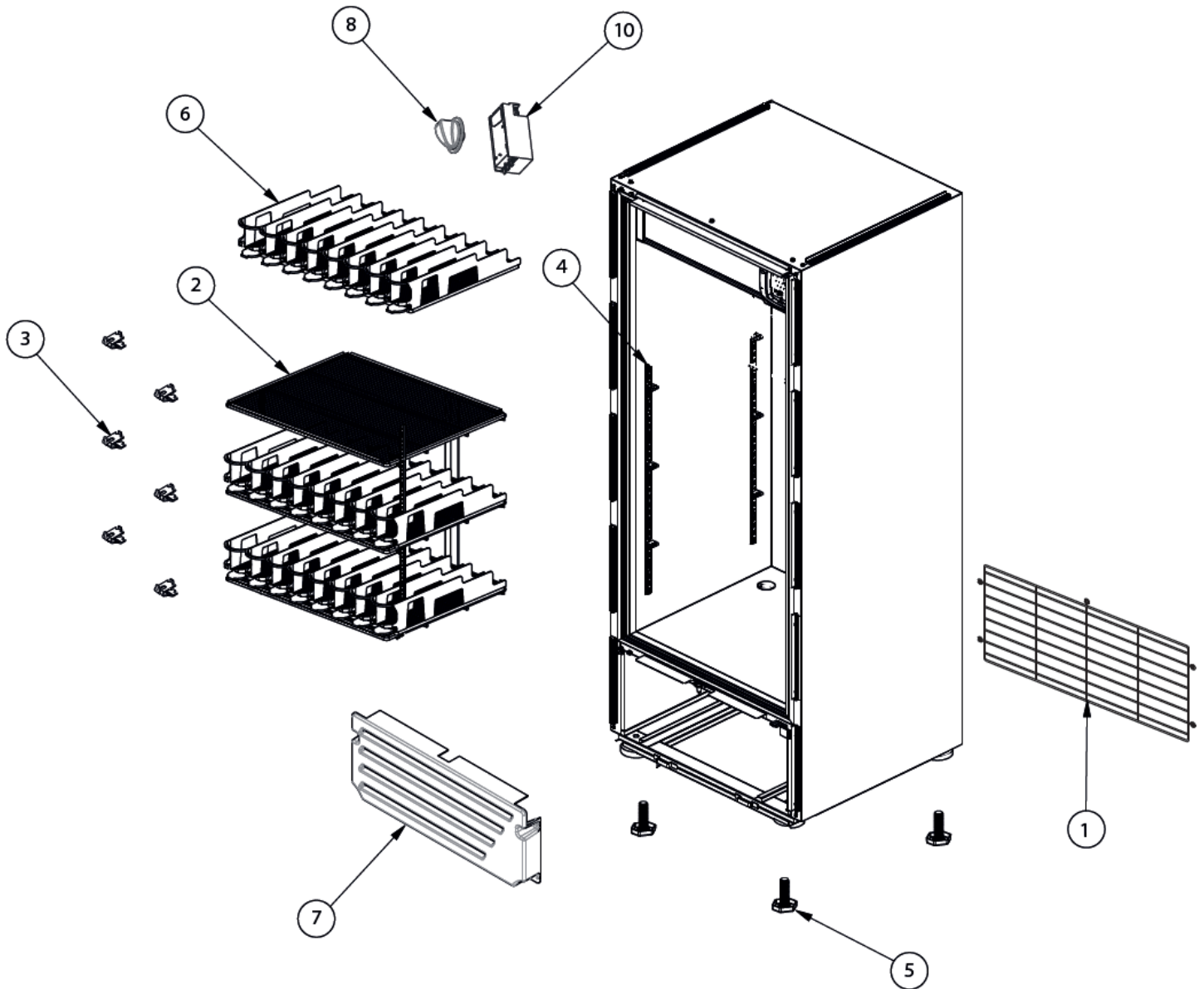


# Parts Breakdown

Model VR10 41216

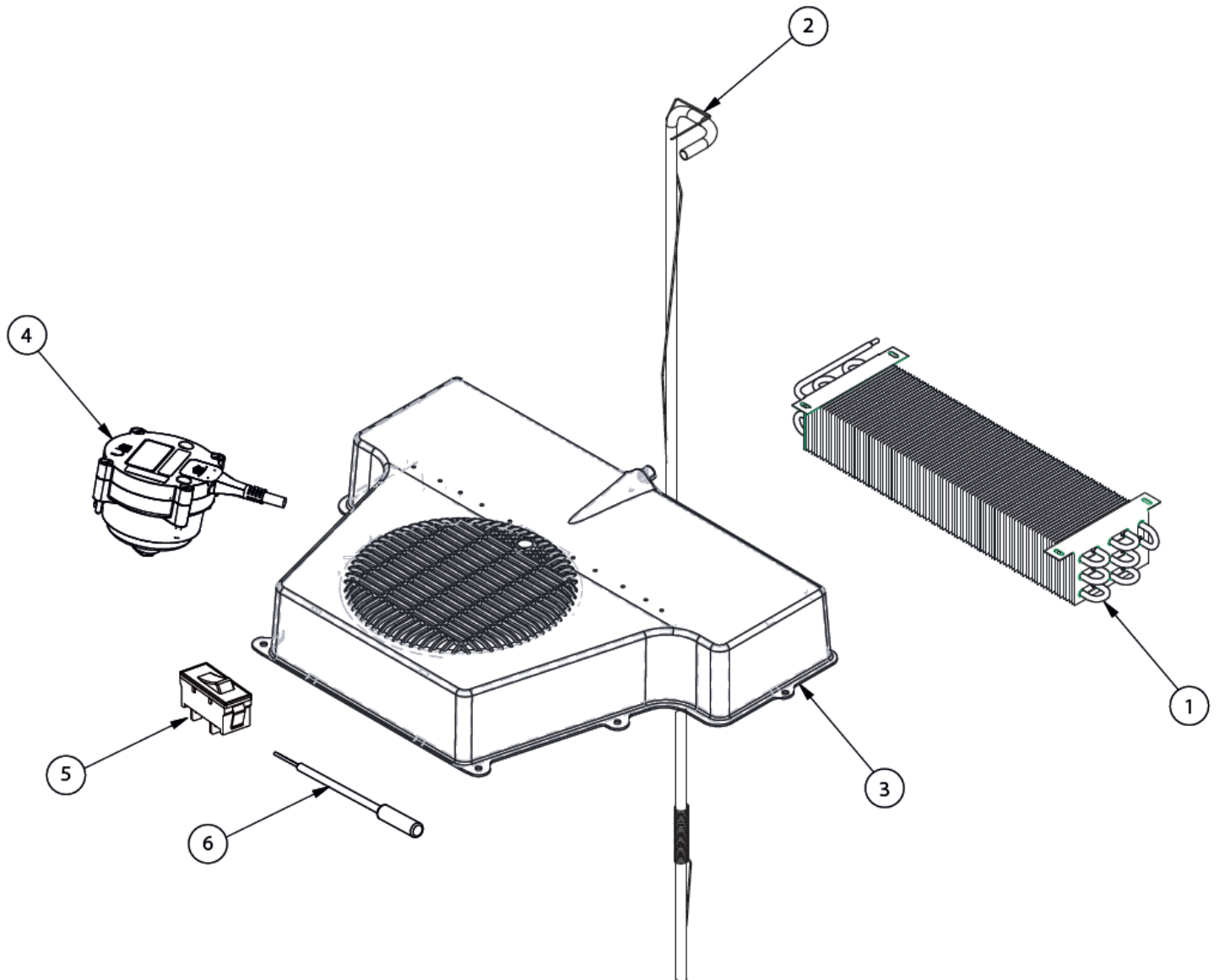
General Assembly



# Parts Breakdown

Model VR10 41216

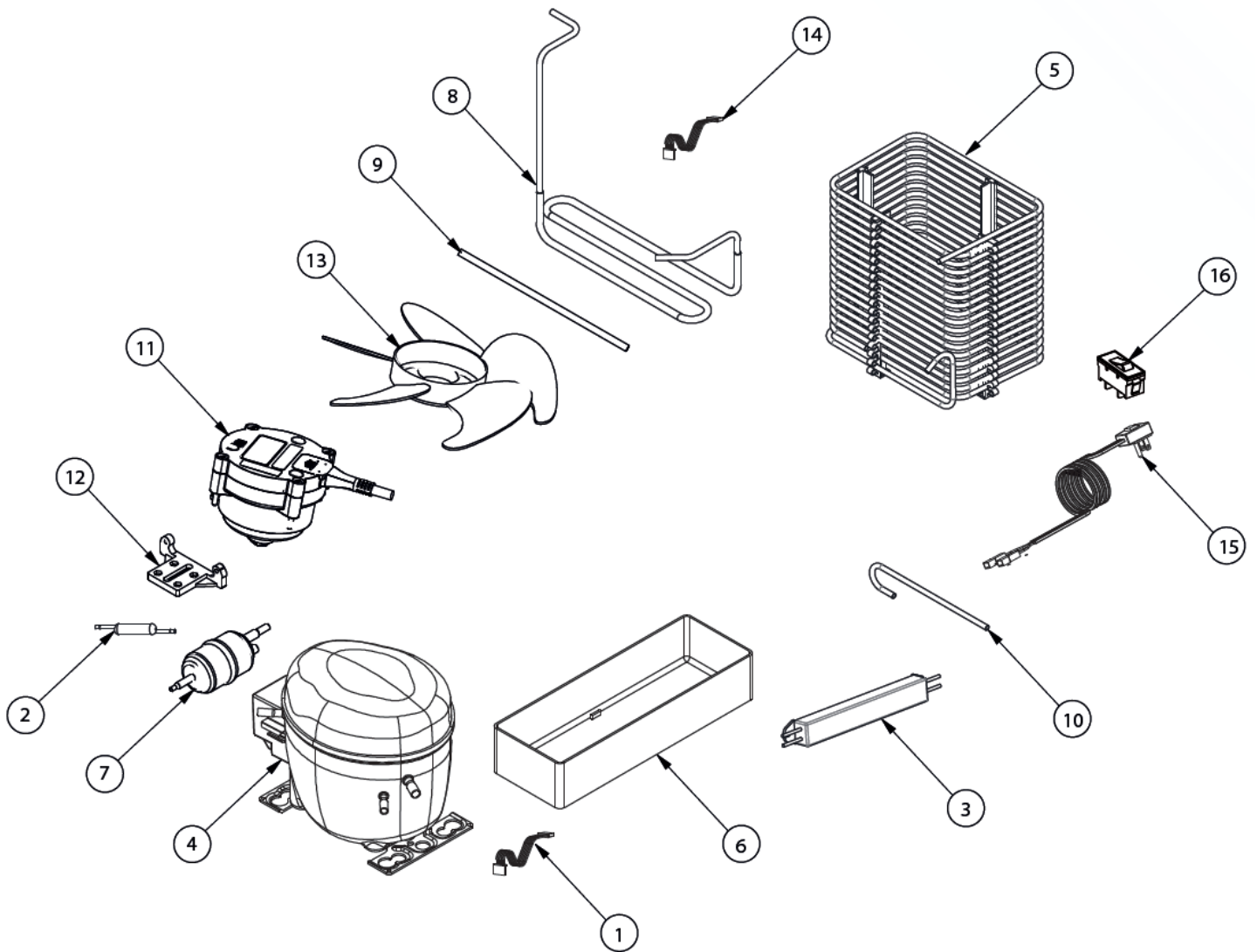
Evaporator Assembly



# Parts Breakdown

Model VR10 41216

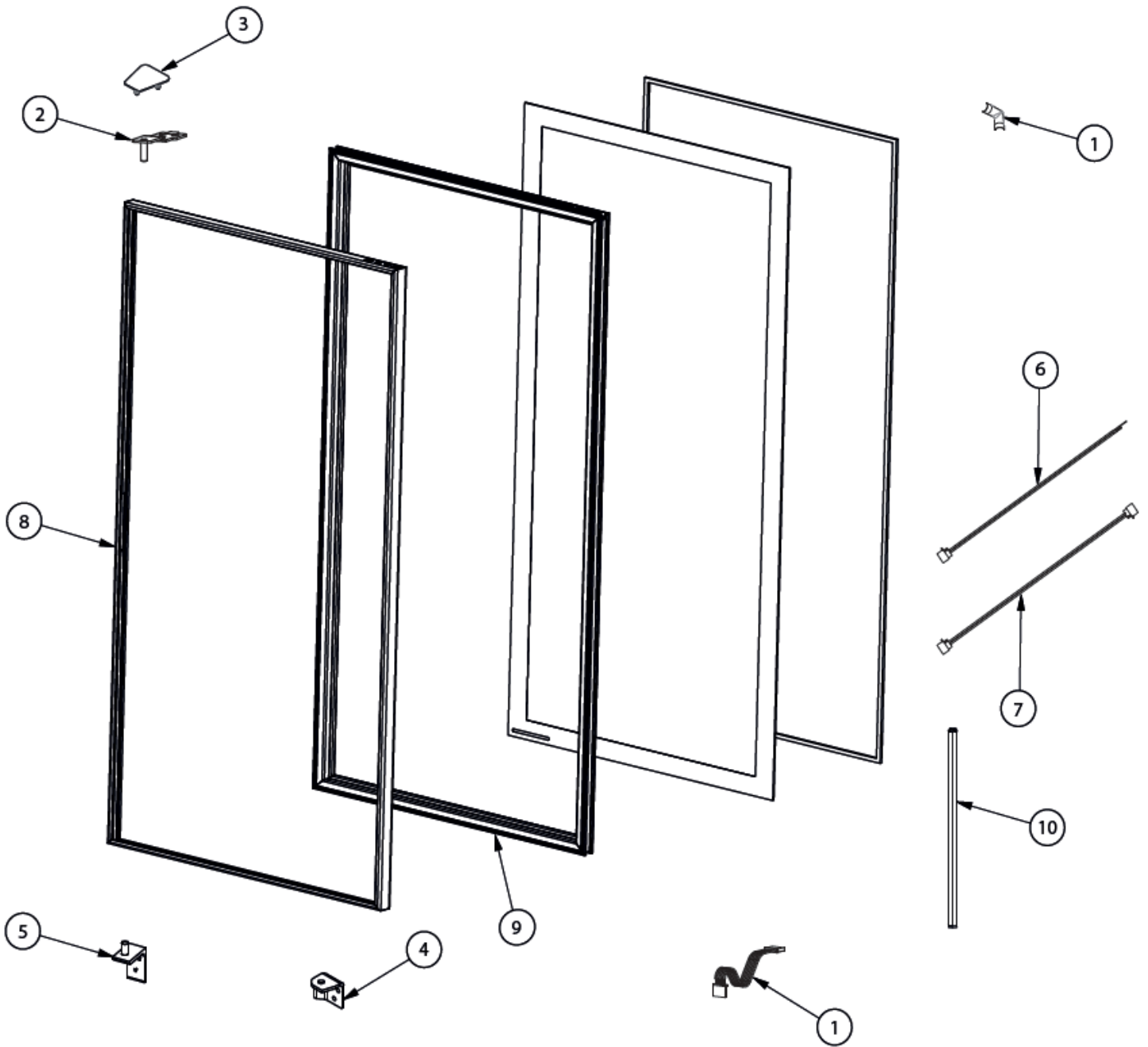
Condenser Assembly



# Parts Breakdown

Model VR10 41216

Door Assembly



# Parts Breakdown

## Model VR10 41216

## General Assembly

Item No.	Description	Position	Item No.	Description	Position	Item No.	Description	Position
66460	Grill, Wire Rear VR10x12 UL for 41216	1	66443	Leveling Screw, 1/2"-13x1 1/2" for 41216	5	66400	Thermometer, Wall MTG for 41216	9
66461	Shelf for 41216	2	66463	Kit Visislide Low 6 FTES CCE V12 for 41216	6	66438	Controller, ELE BEV 115V N/SEN for 41216	10
66399	Clip, F/Pilaster 16G Polished for 41216	3	66464	Front Grill, THER BK V14 L/RHinge PL for 41216	7			
66462	Pilaster 212 3B Diam 6.7 for 41216	4	66396	Knob, ABS Control for 41216	8			

## Evaporator Assembly

Item No.	Description	Position	Item No.	Description	Position	Item No.	Description	Position
66465	Evaporator 150 14T 5/16 CU 6FPI FL400 for 41216	1	66466	Evaporator Housing MET 4N for 41216	3	66468	Rocker Switch, BK for 41216	5
66405	Cap Tube 0.036x96" for 41216	2	66467	Motor E WEL 1/70HP 115V 50/60HZ 1800RPM for 41216	4	66469	Temp Sensor, ETC1H 1.0M for 41216	6

## Condenser Assembly

Item No.	Description	Position	Item No.	Description	Position	Item No.	Description	Position
66470	Main Harness ETC1H BL for 41216	1	66417	Filter Dryer 0.9 HP DCL for 41216	7	66477	Fan Blade ELC PLA 8" Diam. 28 Deg. for 41216	13
66471	Accumulator CU 1 3/8" Diam.x4" for 41216	2	66473	Discharge Pipe 1/4" 1.000M for 41216	8	66478	Arnes Unidas ETC1H UL for 41216	14
66449	LED Driver, VB-12030D018 30W 115V 50/60HZ for 41216	3	66419	Charge Pipe 1/4" 0.180M for 41216	9	66425	Power Cord 115V 15A 14AWG for 41216	15
66472	Compressor EMB EMI55HER 115V 60HZ for 41216	4	66474	Vacuum Pipe 1/4" 0.450M for 41216	10	66402	Rocker Switch, BK for 41216	16
66451	Condenser, HEL 13S 5/16 CU SQU for 41216	5	66475	Motor, E ELC 16W 115V 50/60HZ 1850RPM for 41216	11			
66452	ABS Condenser Pan for 41216	6	66476	Nylon T Motor Injected Support for 41216	12			

## Door Assembly

Item No.	Description	Position	Item No.	Description	Position	Item No.	Description	Position
66479	PVC Drain Curved Coupler for 41216	1	66482	Met Bottom Hinge LEF SCC TR34.5 for 41216	5	66486	Universal Door Gasket 628x1098mm for 41216	9
66434	Met Top Hinge UNI Slope OPT for 41216	2	66483	F-M Moduled Harness for 41216	6	66455	Module, 6 LEDS 1.2W 12V for 41216	10
66480	Hinge Top OPT BL Cover for 41216	3	66484	F-Driver Moduled Harness for 41216	7			
66481	MET Bottom Hinge RIG SCC TR34.5 for 41216	4	66485	Door G J RHG LED SCC BDH for 41216	8			