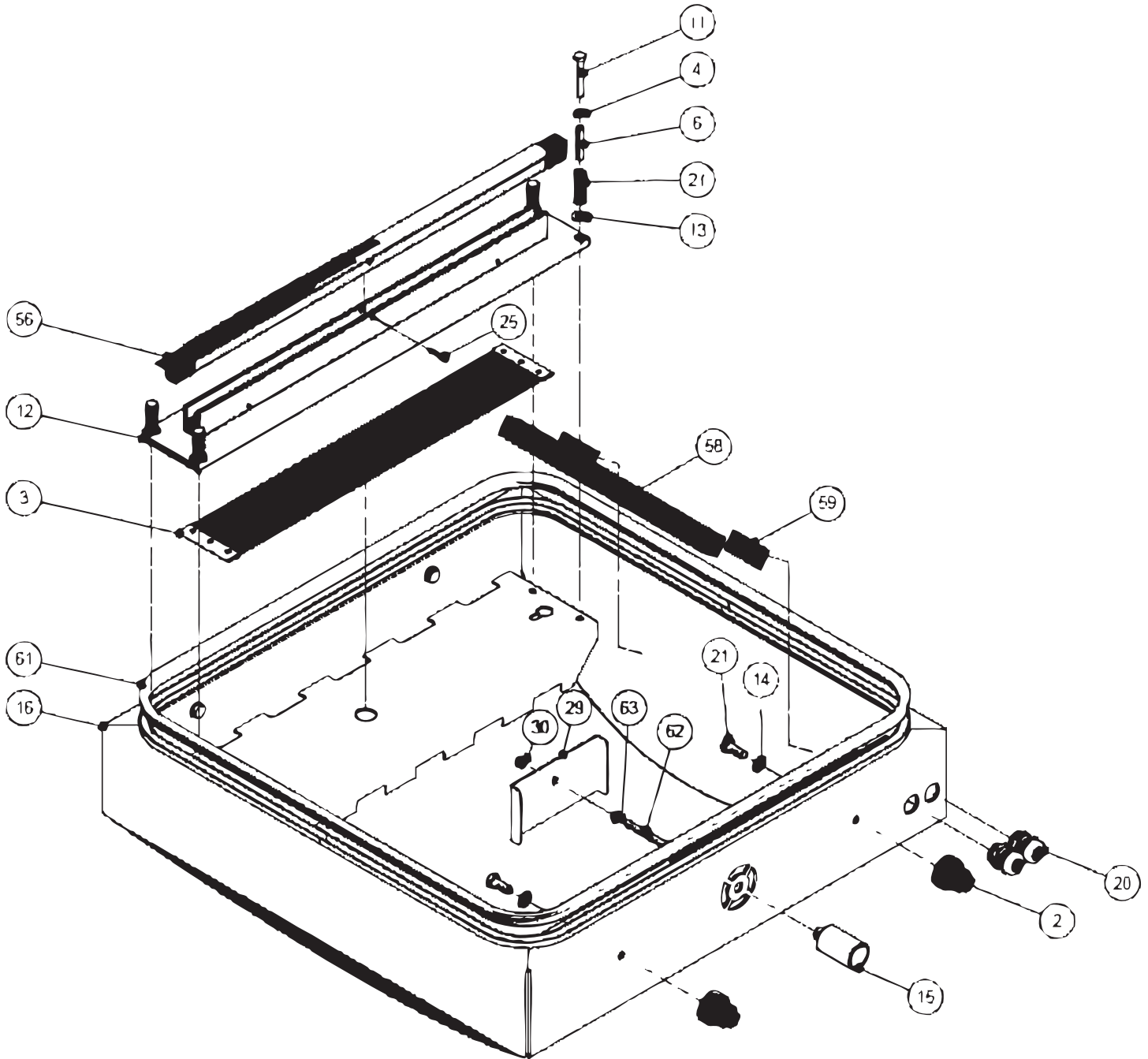


Parts Breakdown

Model VP-NL-0100-L 50000

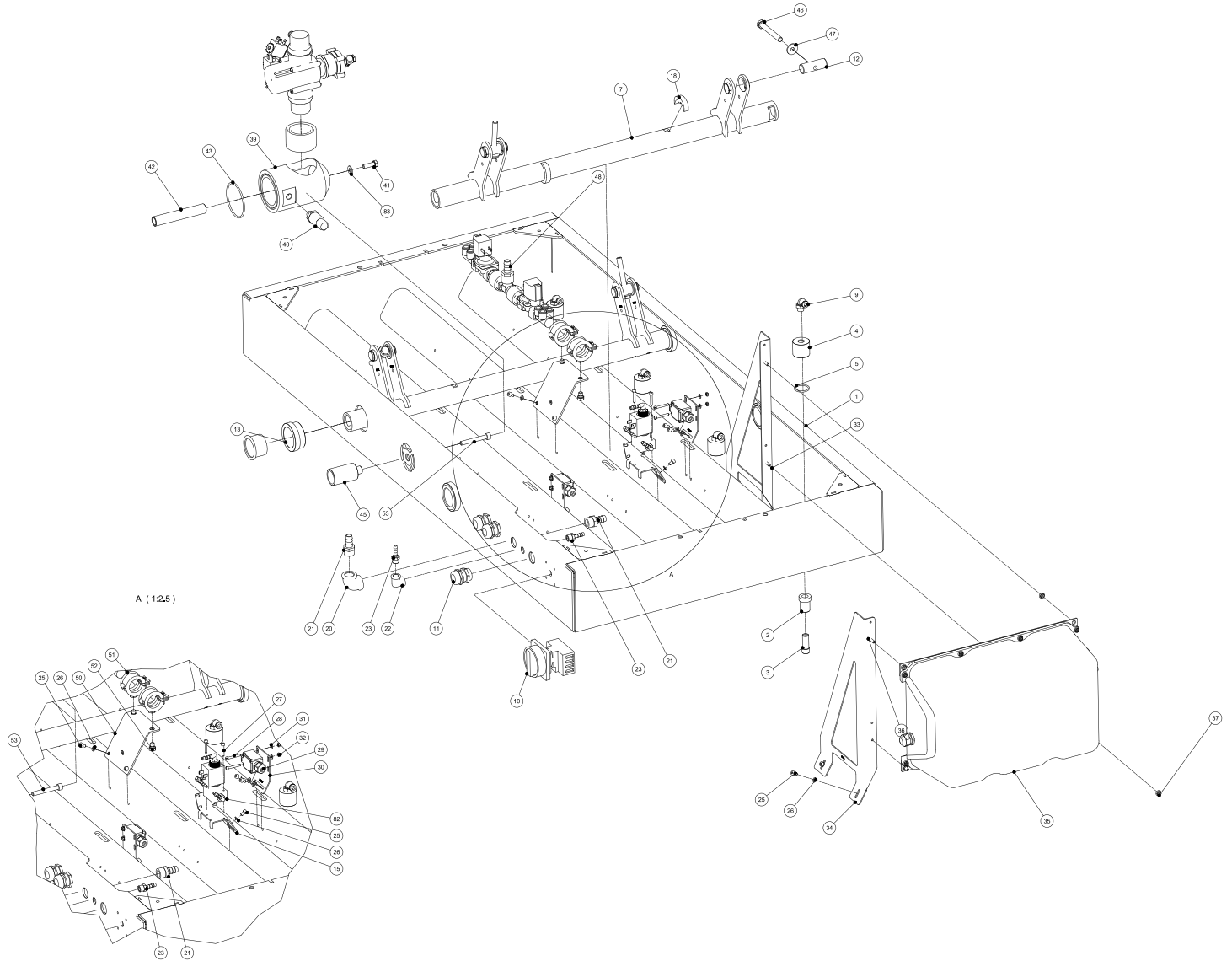
Lid



Parts Breakdown

Model VP-NL-0100-L 50000

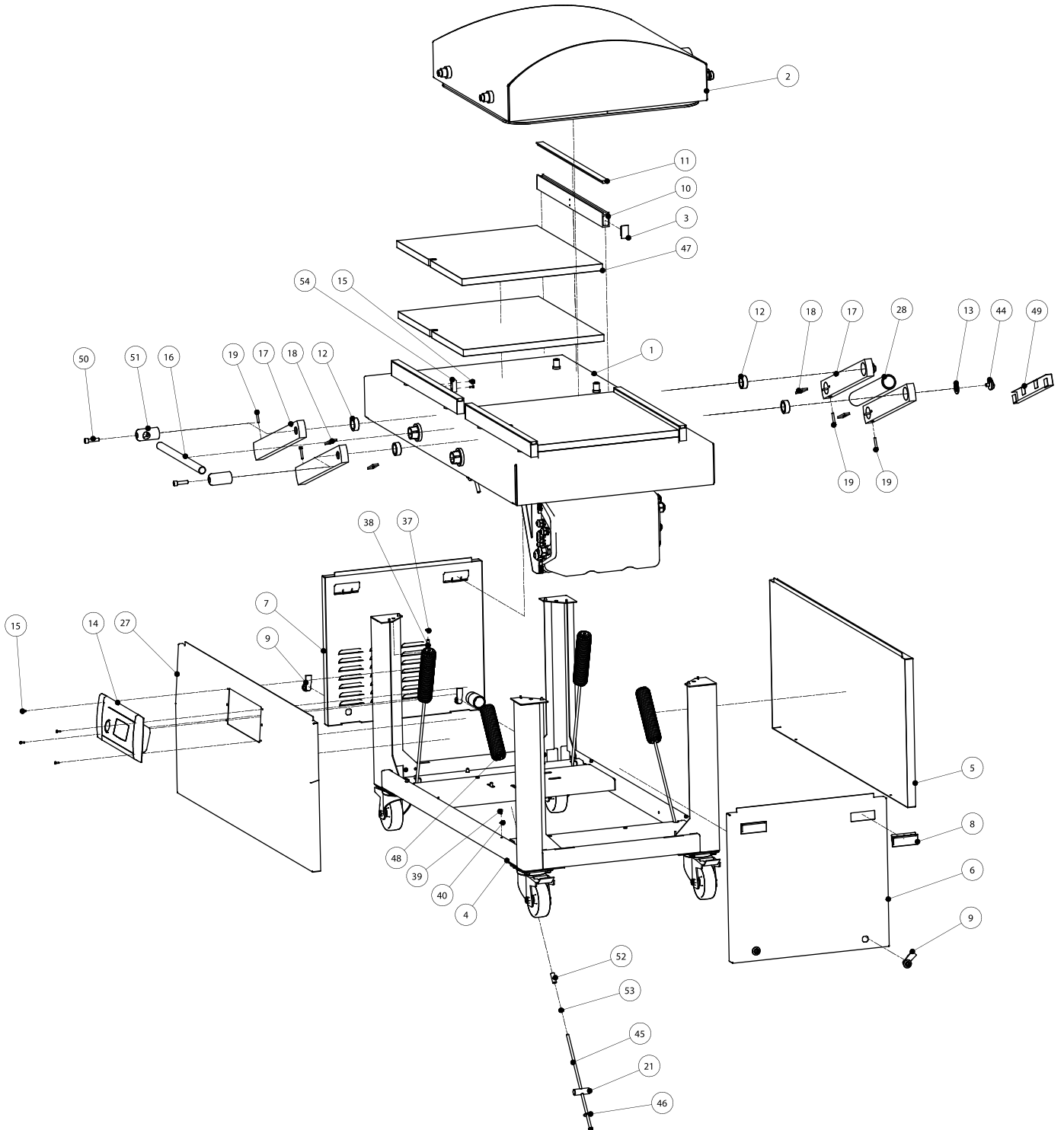
Workplate



Parts Breakdown

Model VP-NL-0100-L 50000

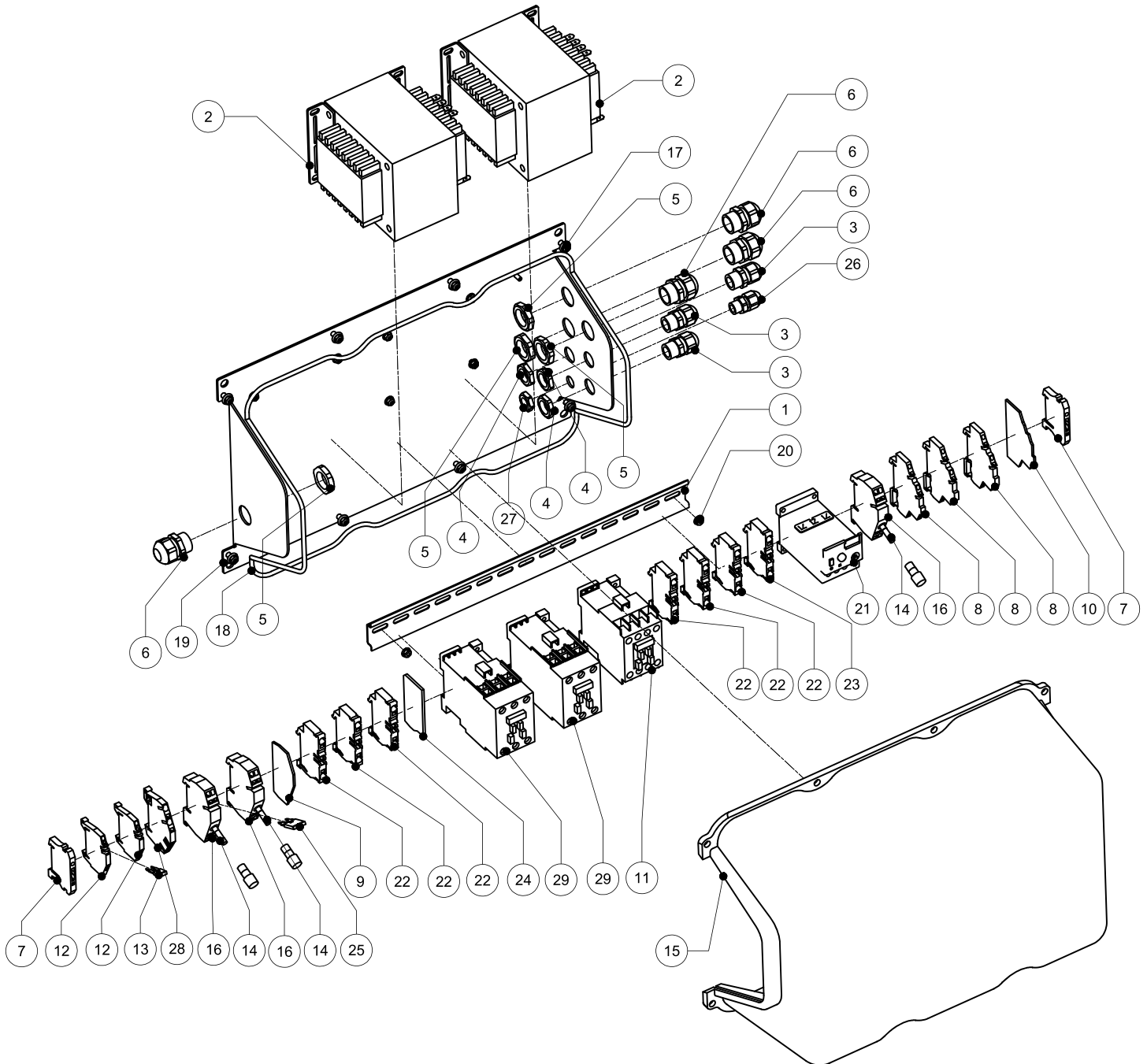
Standard Assembly



Parts Breakdown

Model VP-NL-0100-L 50000

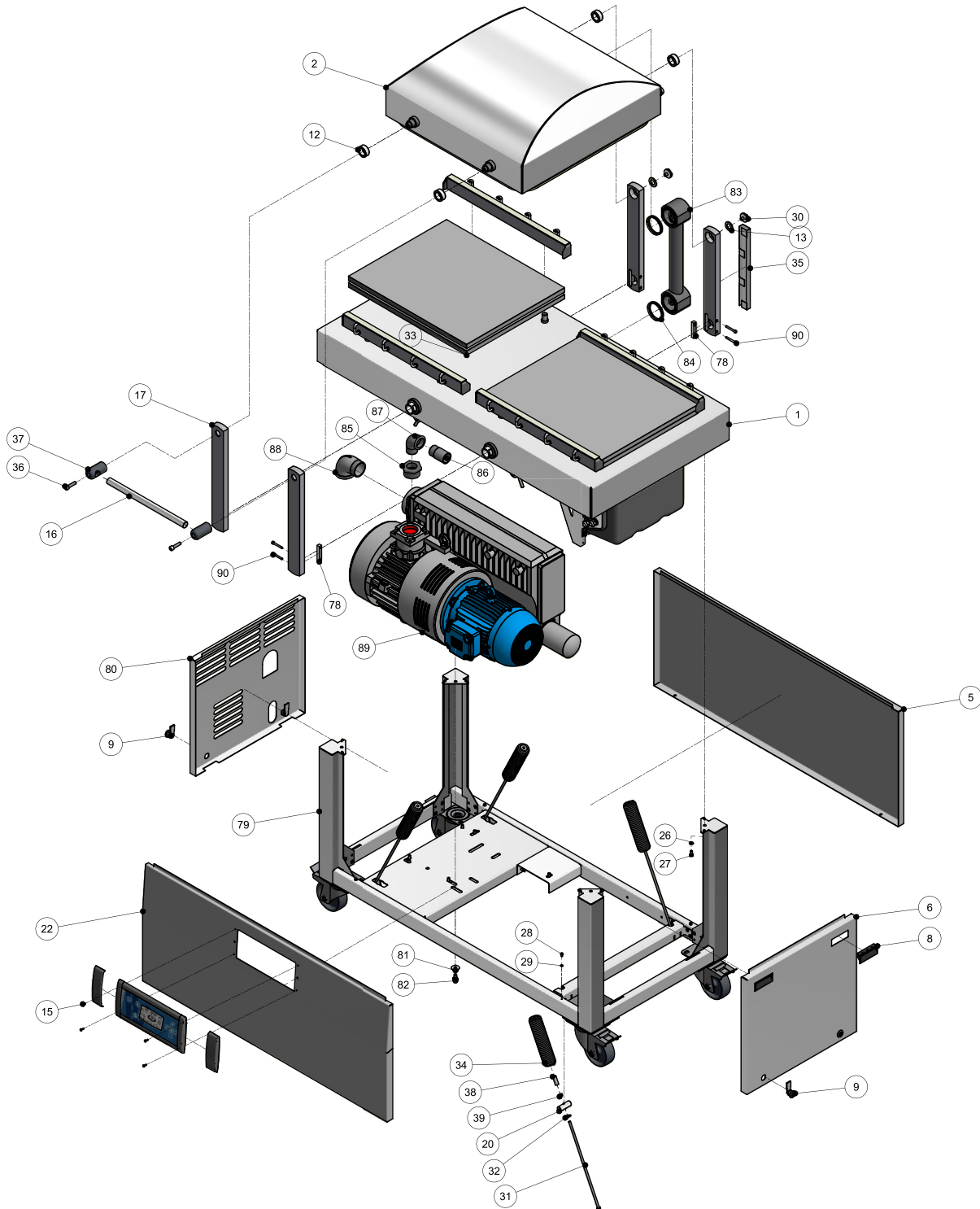
Switch Box



Parts Breakdown

Model VP-NL-0100-L 50000

Vacuum/Gas Pump



Parts Breakdown

Model VP-NL-0100-L 50000

Lid

| Item No. | Description | Position | Item No. | Description | Position | Item No. | Description | Position |
|----------|---|----------|----------|---|----------|----------|--|----------|
| 65680 | Tap Lid DA for 50000 | 2 | 35948 | Castle Washer Red Copper M10 for 50000 | 14 | 65683 | Sealbalk A1015 Double Seal for 50000 | 56 |
| 15938 | Sealbag 4002 L=550mm for 50000 | 3 | 62734 | Bearing Busch Manifold DA for 50000 | 15 | 35936 | Cable Channel 25x30 for 50000 | 58 |
| 35372 | Castle Washer M8 for 50000 | 4 | 65682 | D1 Deksel for 50000 | 16 | 62750 | Acryltape Dubbelzijdig 25mm, L60mm for 50000 | 59 |
| 35919 | Compression Spring Seal Mechanism for 50000 | 5 | 35831 | Cable Gland M25x1.5 Brass for 50000 | 20 | 62742 | Silicone Profile HD Model III 80 Deg Shore-A for 50000 | 61 |
| 35940 | Tube STST 10x1x45mm for 50000 | 6 | 35941 | Hexagon Screw M10x25 DIN933 A2 for 50000 | 21 | 62749 | DIN 916 - M8x80 Hexagon Socket Set Screw for 50000 | 62 |
| 62745 | ISO 4017 - M8x55 for 50000 | 11 | 35469 | Hex.Socket Head Cap Screw M5x25 DIN912 A2 for 50000 | 25 | 35537 | Self Locking Hexagon Nut M8 DIN985 A2 for 50000 | 63 |
| 65681 | Seal Mechanism Assembly D1/M4-L for 50000 | 12 | 62747 | Cover for Suction Hole for 50000 | 29 | | | |
| 35447 | Castle Washer M10 for 50000 | 13 | 27814 | Hexagon Nut M8 DIN934 A2 for 50000 | 30 | | | |

Workplate

| Item No. | Description | Position | Item No. | Description | Position | Item No. | Description | Position |
|----------|---|----------|----------|--|----------|----------|---|----------|
| 62688 | Workplate for 50000 | 1 | 29997 | Brass Hose Coupling 1/4x6 Ext. for 50000 | 23 | 65687 | Vacuum Transmittor 0-1050MBAR for 50000 | 40 |
| 35821 | Spacer Sil.Holder Gas 6mm for 50000 | 2 | 35272 | Hex.Socket Head Cap Screw M5x8 DIN912 A2 for 50000 | 25 | 62736 | ISO 4017 - M8x25 for 50000 | 41 |
| 35365 | Mounting Screw Holing Block HD-03 for 50000 | 3 | 35214 | Castle Washer M5 for 50000 | 26 | 62738 | Mounting Pin Adapter Manifold DA for 50000 | 42 |
| 35507 | Holing Block Siliconholder HD-03 for 50000 | 4 | 62726 | ISO 4762 - M4x25 Hexagon Socket Head Cap Screw for 50000 | 27 | 62735 | O-Ring 70x3mm for 50000 | 43 |
| 35364 | O-Ring 27x2.5 for 50000 | 5 | 62727 | M4x30 Slotted Cheese Head Screw for 50000 | 28 | 62734 | Bearing Busch Manifold DA for 50000 | 45 |
| 65685 | Parallel Axle D1 R2 for 50000 | 7 | 35468 | Limit Switch with Cable for 50000 | 29 | 65688 | Hex-Head Bolt - M10x80 for 50000 | 46 |
| 62717 | Elbow Screwcoupling G 1/4x8 for 50000 | 9 | 62731 | Da Montagesteun Eindschakelaar R2 for 50000 | 30 | 35219 | Flat Washer M8 D9021 A2 for 50000 | 47 |
| 62718 | Hoofdschakelaar H220-SE5494 (25A 3-POLIG) for 50000 | 10 | 35433 | Castle Washer M4 for 50000 | 31 | 62729 | Gas Supply Unit DA for 50000 | 48 |
| 35831 | Cable Gland M25x1.5 Brass for 50000 | 11 | 35041 | Hose Clip Klemfa 12.8x14.8mm for 50000 | 32 | 62728 | Support for Gas Supply Unit DA for 50000 | 50 |
| 35534 | Spring Axle Double Chamber for 50000 | 12 | 62733 | Mounting Bracket Switch Box POS2 for 50000 | 33 | 35961 | Suspension Clip BSA-8/29/33 for 50000 | 51 |
| 62720 | Bearing Busch DA for 50000 | 13 | 62732 | Mounting Bracket Switch Box POS1 for 50000 | 34 | 35220 | Hexagon Screw M8x10 DIN933 A2 for 50000 | 52 |
| 62721 | Universal Bracket DA for 50000 | 15 | 62719 | Switchbox Model-I SC-DC for 50000 | 35 | 65689 | Hexagon Socket Head Cap Screw M8x60 for 50000 | 53 |
| 62723 | Schakelnok DA R2 for 50000 | 18 | 35481 | Hex.Socket Head Cap Screw M5x16 DIN912 A2 for 50000 | 36 | 62730 | Bearing 40x30 for 50000 | 81 |
| 62724 | Knee 1/2 90 F-F AISI 316 for 50000 | 20 | 27782 | Hexagon Flangenut M5 DIN6923 A2 for 50000 | 37 | 62722 | 3-2 Valve DC-XL Assembly for 50000 | 82 |
| 35841 | Brass Hose Coupling 1/2x13 Ext. for 50000 | 21 | 65686 | Vacuum Valve MB for 50000 | 38 | 65690 | Rood Koper Ring ZCHT 8.5x18 for 50000 | 83 |
| 62725 | Knee 1/4 F-F 90 Deg AISI316 for 50000 | 22 | 62739 | Adapter for Manifold D4 for 50000 | 39 | 62587 | Reducing Ring 63x40 BU/BI PVC for 50000 | 84 |

Parts Breakdown

Model VP-NL-0100-L 50000

Standard Assembly

| Item No. | Description | Position | Item No. | Description | Position | Item No. | Description | Position |
|----------|---|----------|----------|--|----------|----------|--|----------|
| 65691 | Workplate D1 for 50000 | 1 | 35909 | Skiffy Ring 21x37x3mm for 50000 | 13 | 35214 | Castle Washer M5 for 50000 | 40 |
| 65682 | Deksel D1 for 50000 | 2 | 45858 | Control Panel (Holder Wide + PCB/TV/1-PROG) for 50000 | 14 | 62705 | Blokkeerbout Parallelstang DA for 50000 | 44 |
| 35253 | Closing Plug Silicon Holder for 50000 | 3 | 30026 | Slott.Rais.Counter.Head Screw M4x12 DIN7985 A2 for 50000 | 15 | 62706 | Zesk.Tapbout M8350 for 50000 | 45 |
| 65693 | Frame D1 for 50000 | 4 | 65698 | Handgreep M EN D1 for 50000 | 16 | 35219 | Flat Washer M8 D9021 A2 for 50000 | 46 |
| 65694 | Beplating D1 Achter for 50000 | 5 | 65699 | Parallelstang D1 for 50000 | 17 | 41510 | Filler Plate 1 Inch/25mm for 50000 | 47 |
| 65695 | Beplating D1 Schakelkast for 50000 | 6 | 65700 | Borgplaat Pallelstang for 50000 | 18 | 65703 | Trekveer D1 for 50000 | 48 |
| 65696 | Beplating D1 Pump for 50000 | 7 | 65701 | ISO 4762 - M6x25 Hexagon Socket Head Cap Screw for 50000 | 19 | 62708 | Kabeldoervoer Parallelstang for 50000 | 49 |
| 35976 | Handle Flat ABS Black for 50000 | 8 | 35534 | Spring Axle Double Chamber for 50000 | 21 | 62709 | M10x50 Cylinder Head Cap Screw DIN 912 for 50000 | 50 |
| 62692 | Compression Locker E5-6-012-YY1 for 50000 | 9 | 65702 | Beplating D1 Voor for 50000 | 27 | 62703 | Montagebus Handvat DA for 50000 | 51 |
| 65697 | Silicone Holder D1/M4-L for 50000 | 10 | 35236 | Spring Ring M8 DIN127 A2 for 50000 | 37 | 35531 | Pipe 13x1.5x34mm SS 304 for 50000 | 52 |
| 15842 | Silicone Profile - 1M for 50000 | 11 | 35211 | Hexagon Screw M8x16 DIN933 A2 for 50000 | 38 | 27814 | Hexagon Nut M8 DIN934 A2 for 50000 | 53 |
| 35437 | Bearing Cover Doublechamber for 50000 | 12 | 35272 | Hex.Socket Head Cap Screw M5x8 DIN912 A2 for 50000 | 39 | 35834 | Blocking Block Insert Plate for 50000 | 54 |

Switch Box

| Item No. | Description | Position | Item No. | Description | Position | Item No. | Description | Position |
|----------|---|----------|----------|---|----------|----------|------------------------------------|----------|
| 65704 | DIN-Rail 380mm for 50000 | 1 | 15771 | Closed Contactor 24VAC for 50000 | 11 | 65710 | EMBR AB193-ED1*P for 50000 | 21 |
| 15792 | Combi-Trafo P200/460V-S24/32V for 50000 | 2 | 35687 | Wire Clamp 2.5-2/2 AN for 50000 | 12 | 35318 | Wireclamp 6-2/2 AN for 50000 | 22 |
| 65705 | Wartel M16x1.5 KS for 50000 | 3 | 35688 | Clamp Connector 2.5/2 for 50000 | 13 | 35317 | Ground Terminal PE 6-10 for 50000 | 23 |
| 65706 | Moer M16x1.5 KS for 50000 | 4 | 35307 | Zekering Keram.5x20 2.5A Traag for 50000 | 14 | 65711 | Sluitplaat PAP PDU 6/10 for 50000 | 24 |
| 65707 | Moer M20x1.5 KS for 50000 | 5 | 35555 | Cover Switchbox for 50000 | 15 | 65712 | Doorverbinder ZQV 6/2 for 50000 | 25 |
| 35376 | Cable Gland M20x1.5 Plastic for 50000 | 6 | 35306 | Fuse Clamp 2.5-2/ZSI for 50000 | 16 | 65713 | Wartel M12x1.5 KS for 50000 | 26 |
| 35305 | End Fent for 50000 | 7 | 27782 | Hexagon Flangenut M5 DIN6923 A2 for 50000 | 17 | 65714 | Moer M12x1.5 KS for 50000 | 27 |
| 35315 | Double Clamp 2.5-2 for 50000 | 8 | 35559 | Micro Cellular Rubber 4mm Black for 50000 | 18 | 35304 | Ground Terminal PE 4-2/3 for 50000 | 28 |
| 65708 | Sluitplatt Zap ZDU 6-2 for 50000 | 9 | 65709 | Montageplaat 2.5mm2 for 50000 | 19 | 15772 | Contactor 24VAC for 50000 | 29 |
| 35323 | Endplate Wireconnector for 50000 | 10 | 35041 | Hose Clip Klemfa 12.8x14.8mm for 50000 | 20 | | | |

Parts Breakdown

Model VP-NL-0100-L 50000

Vacuum/Gas Pump

| Item No. | Description | Position | Item No. | Description | Position | Item No. | Description | Position |
|----------|--|----------|----------|--|----------|----------|---|----------|
| 65691 | Workplate D1 for 50000 | 1 | 62704 | Silicon Bar for 50000 | 25 | 27814 | Hexagon Nut M8 DIN934 A2 for 50000 | 39 |
| 65682 | D1 Deksel for 50000 | 2 | 35236 | Spring Ring M8 DIN127 A2 for 50000 | 26 | 62712 | Borgplaat Parallelstang R2 for 50000 | 78 |
| 65694 | Beplating D1 Achter for 50000 | 5 | 35211 | Hexagon Screw M8x16 DIN933 A2 for 50000 | 27 | 65733 | Frame D1-160M3 Vacuum Pump for 50000 | 79 |
| 65695 | Beplating D1 Schakelkast for 50000 | 6 | 35272 | Hex.Socket Head Cap Screw M5x8 DIN912 A2 for 50000 | 28 | 65734 | Plating Pumpside D1-160M3 for 50000 | 80 |
| 35976 | Handle Flat ABS Black for 50000 | 8 | 35214 | Castle Washer M5 for 50000 | 29 | 27827 | Flat Washer M10 D9021 A2 for 50000 | 81 |
| 62692 | Compression Locker E5-6-012-YY1 for 50000 | 9 | 62705 | Blokkeerbout Parallelstang DA for 50000 | 30 | 35444 | Hexagon Screw M10x16 DIN933 A2 for 50000 | 82 |
| 35437 | Bearing Cover Doublechamber for 50000 | 12 | 62706 | Zesk.Tapbout M8350 for 50000 | 31 | 65735 | Suction Tube D1 Assembled for 50000 | 83 |
| 35909 | Skiffy Ring 21x37x3mm for 50000 | 13 | 35219 | Flat Washer M8 D9021 A2 for 50000 | 32 | 62714 | V-Ring Type V-070-A for 50000 | 84 |
| 45858 | Control Panel (Holder Wide + PCB/TV/1-PROG) for 50000 | 14 | 41510 | Filler Plate 1" / 25mm for 50000 | 33 | 65736 | Reducing Ring 2"- 1.1/4" for 50000 | 85 |
| 30026 | Slott.Rais.Counter.Head Screw M4x12 DIN7985 A2 for 50000 | 15 | 65703 | Trekveer D1 for 50000 | 34 | 35879 | Pipe Nipple Half 1.1/4x75 Complete for 50000 | 86 |
| 65698 | Handgreep M EN D1 for 50000 | 16 | 62708 | Kabeldoorvoer Parallelstang for 50000 | 35 | 65737 | Elbow 1 1/4 INT/EXT NR92 for 50000 | 87 |
| 65732 | Parallel Bar D1 for 50000 | 17 | 62709 | M10x50 Cylinder Head Cap Screw DIN 912 for 50000 | 36 | 62711 | Elbow 2" BI/BU RVS for 50000 | 88 |
| 35534 | Spring Axle Double Chamber for 50000 | 20 | 62703 | Montagebus Handvat DA for 50000 | 37 | 65738 | Vacuumpump 160-132 230/400-3-50 for 50000 | 89 |
| 65702 | Beplating D1 Voor for 50000 | 22 | 35531 | Pipe 13x1.5x34mm Stainless Steel 304 for 50000 | 38 | 62715 | M6x45 Hexagon Socket Head Screw ISO4762 for 50000 | 90 |