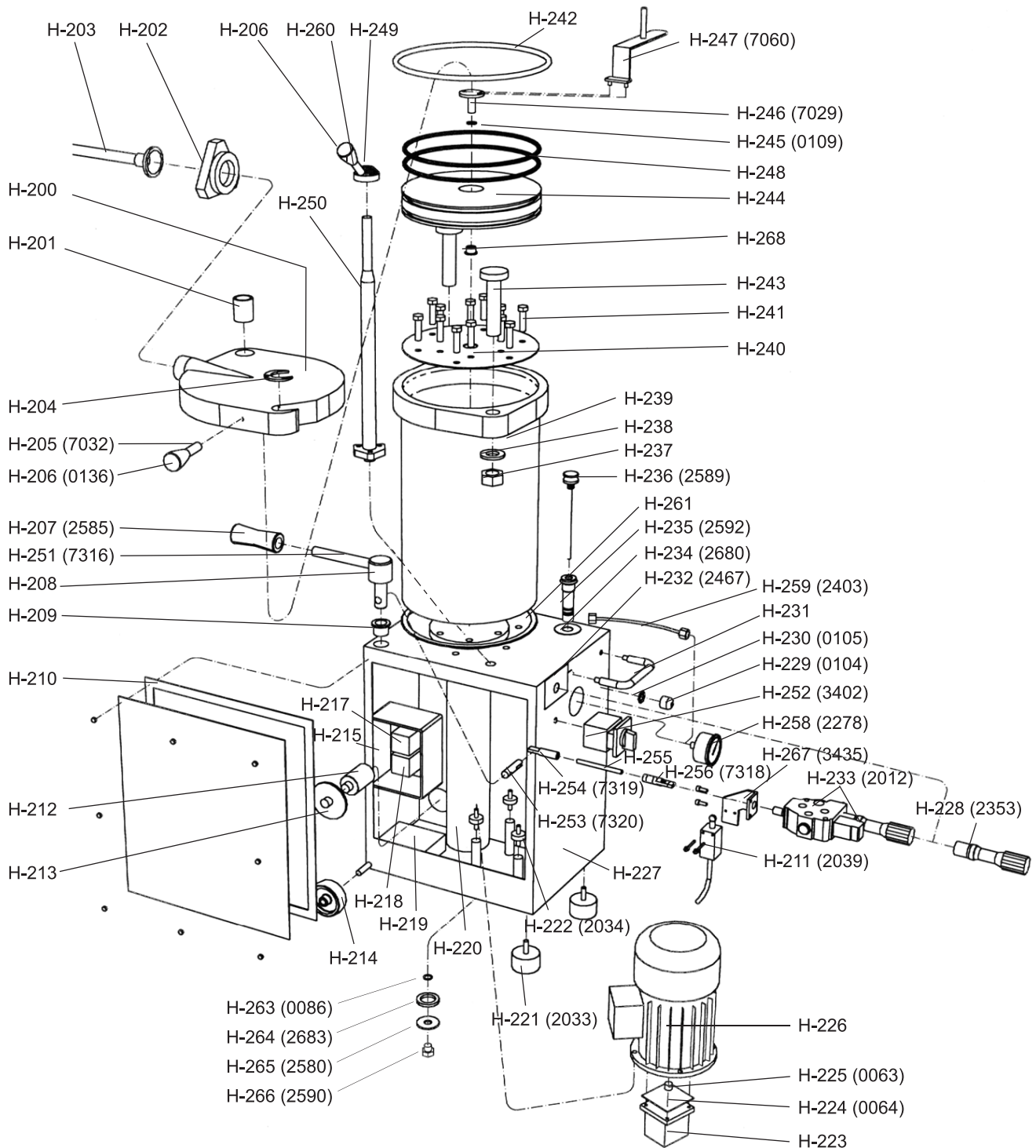


Parts Breakdown

Model SS-ES-0042-PAS 13757



Parts Breakdown

Model SS-ES-0042-PAS 13757

Item No.	Description	Position	Item No.	Description	Position	Item No.	Description	Position
36086	Stainless Steel Lid without Accessories for 13757	H200	36029	Gear Pump 1L07 5IB01 R (from July 97 Shaft Coupling B) for 13757	H223	36079	Stainless Steel Bolt M36mm Lid for 13757	H243
36016	Bronze Bushing B11 A-40-50-34 3 (Lid) for 13757	H201	31221	Seal Vellumoid 1625-1 for Pump Type L for 13757	H224	36071	Piston Stainless Steel without O-Ring for 13757	H244
31460	Nozzle/Horn Retention Nut Stainless Steel for 13757	H202	31222	Motor-Pump Coupling for 13757	H225	36064	O-Ring Int. Diam. 18.72/2.62 (Piston Lock H) for 13757	H245
76790	Plastic Oil Drain Plug with Level Bar for 13757	H203	76804	Electric Motor for 13757	H226	16538	Piston Retaining Bolt-Screw Stainless Steel M14/1.5mm for 13757	H246
16539	Lid Opening Lever NH with Knob Green for 13757	H205	76805	Machine Frame for 13757	H227	16543	Extracting Piston Wrench-Screw for 13757	H247
16517	Knob PM LISO Green M10 Cod. 470743102 for 13757	H206	31219	External Pressure Valve Control Assembly M1670/861 Knob for 13757	H228	16535	Transparent Piston O-Rings Int. Diam. 330/10mm for 13757	H248
19238	Green Rubber Sleeve for Knee Lever for 13757	H207	36030	Grommet S-TEC 5308119 Grey PG11 Polyamide IP68 for 13757	H229	19237	Horizontal Knee Lever Shaft/Bar Stainless Steel without Green Rubber Sleeve (NH) for 13757	H251
16550	Vertical Shaft Knee Lever from 02/00 Long 97mm for 13757	H208	36044	Metal Grommet Nut PG11 for 13757	H230	36100	Switch 3-Phase 20A 0-1 A 90° (from 11/01) for 13757	H252
19239	Bronze Bushing B11 B-25-32-30/40-4 with Collar (Knee Lever) for 13757	H209	36088	Stainless Steel Transport Handle D.16 Width 235 for 13757	H231	16548	Internal Fork Knee Lever Stainless Steel for 13757	H253
36095	Seal for Access Panel 465/512mm Green Rubber for 13757	H210	36074	Plate Pressure Control Panel H Lexan Green for 13757	H232	16547	Internal Fork Knee Lever Activator Stainless Steel for 13757	H254
16524	Micro Position Detector Comepi Metal Wheel (1997) for 13757	H211	16522	Hydraulic Control 102N1SA221-TA4 with Pressure Knob from 1997 for 13757	H233	36104	Threaded Galvanized Rod Fitted M8mm Knee Lever 180mm for 13757	H255
19411	Oil Inlet Filter 2FA10R125N of 10 L/min Female Thread 3/8 BSP for 13757	H212	36022	Circular Sticker D.70mm Aceite/Oil Filling Cap NH Lexan for 13757	H234	19415	Internal Fork Hydraulic Control Activator Stainless Steel for 13757	H256
23808	Circular Lid for Barrel Oil Filter without O-Ring without Filter Bichromat for 13757	H213	16527	Green Plastic Tube Filling Hole to Oil Reservoir no Cap no Dip-Stick for 13757	H235	16525	Pressure Gauge D.63 Ref. MGS10/3/B 0-160 Bar Thread 1-4 for 13757	H258
36110	Wheel, Nylon for 13757	H214	16526	Oil Filling Cap Green Plastic with Dip-Stick for 13757	H236	36036	Hose for Pressure Gauge 1/4 Length 260mm for 13757	H259
36042	Isolating Box Legrand 100/100/55mm Code 92138 for 13757	H215	36082	Stainless Steel Hexagonal Nut M36 DIN934 (Clamp) for 13757	H237	36020	Circular Seal for Barrel Bottom D.Ext 366mm Green Rubber for 13757	H261
76802	Contacteur Telemecanique for 13757	H217	36109	Washer Stainless Steel Straight D.37-M36 DIN125 (Flange) for 13757	H238	36106	Washer Metaloplastic Hydraulic 3/8 for 13757	H263
39059	Air Extraction Fan 220V 1PH for 13757	H219	36026	Fixed Meat Barrel for 13757	H239	23809	Washer Straight Black Rubber D.50/D.34/4 (Oil Drain Cap NH) for 13757	H264
36040	Hydraulic Cylinder DE0561000425G01 for 13757	H220	36011	Barrel Disc D.346/1mm Stainless Steel for 13757	H240	23810	Washer Stainless Steel Straight Special M16 DIN9021 D.17/D.50/3 Oil Drain Cap NH for 13757	H265
27880	Leg Shock Absorber Green Rubber D.76 D.73mm for 13757	H221	36083	Stainless Steel Hexagonal Screw M16/65mm DIN933 (Barrel) for 13757	H241	36062	Oil Drain Cap Metal ATME Thread 3/8 BSP Bichromated for 13757	H266
19253	Rubber Cylindrical Foot T-30-10 Black (Antivibration for Motor NH) for 13757	H222	16532	Lid Seals Silicone Ext. Diam. 378mm for 13757	H242	36037	Hydraulic Control Micro Switch Holder from 02/02 for 13757	H267