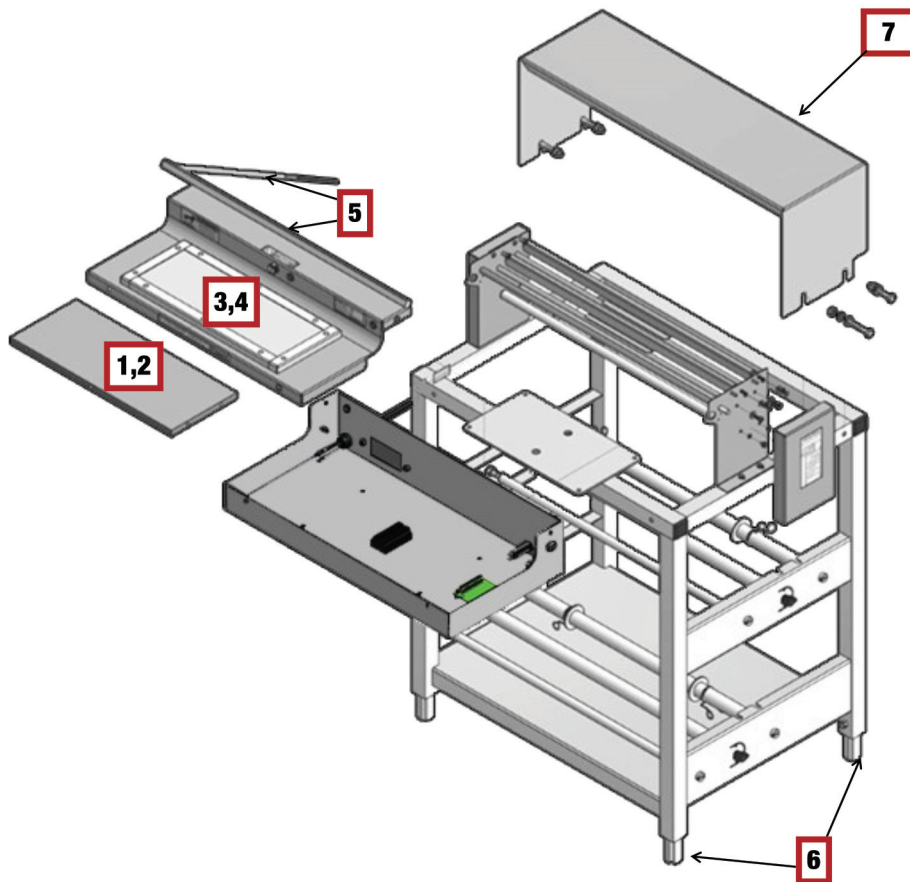


Parts Breakdown

Model SE-US-200ESD6 47480

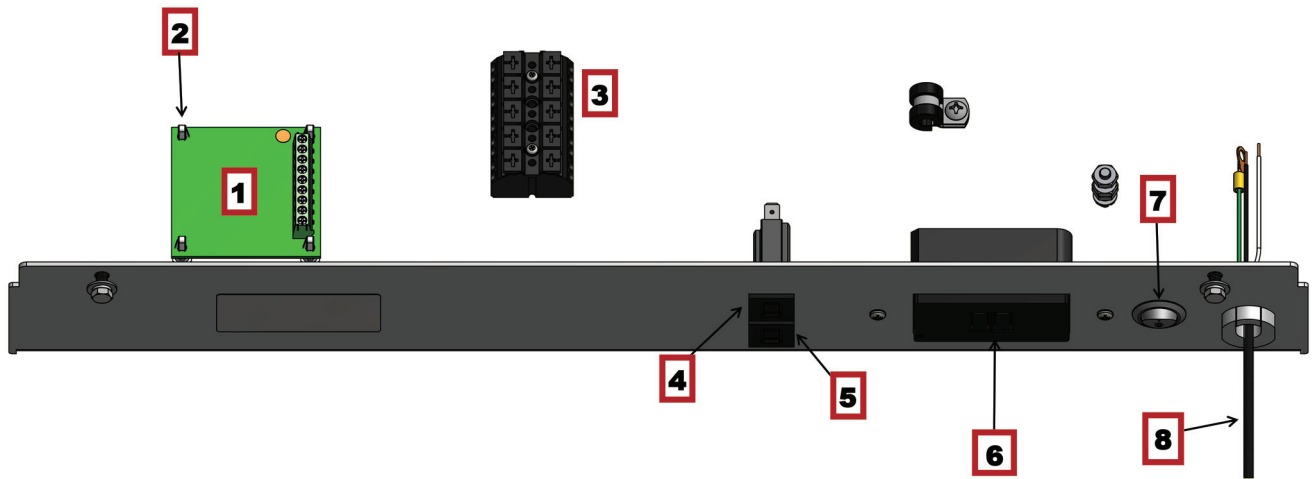
Major Assembly



Parts Breakdown

Model SE-US-200ESD6 47480

Electrical Box





Parts Breakdown

Model SE-US-200ESD6 47480

Major Assembly

Item No.	Description	Position	Item No.	Description	Position	Item No.	Description	Position
28511	Cover with Non-Stick Coating 6x15 for 47480	1	AK517	Hot Rod Replacement Kit for 47480	5	AK519	Stainless Steel Wrapping Bridge for 47480	7
AK516	Replacement 6x15 Seal Plate Kit for 47480	3	AK518	Foot Glide for 47480	6			

Electrical Box

Item No.	Description	Position	Item No.	Description	Position	Item No.	Description	Position
AK520	6" x 15" Energy Smart Control Board Programmed for 47480	1	AK523	1A Circuit Breaker for 47480	4	AK526	20A Rocker Switch for 47480	7
AK521	Circuit Board Mounting Kit for 47480	2	AK524	20A Circuit Breaker for 47480	5	AK527	Power Cord Replacement Kit for 47480	8
AK522	Terminal Block for 47480	3	AK525	GFCI Blank Outlet 20A/125V for 47480	6			