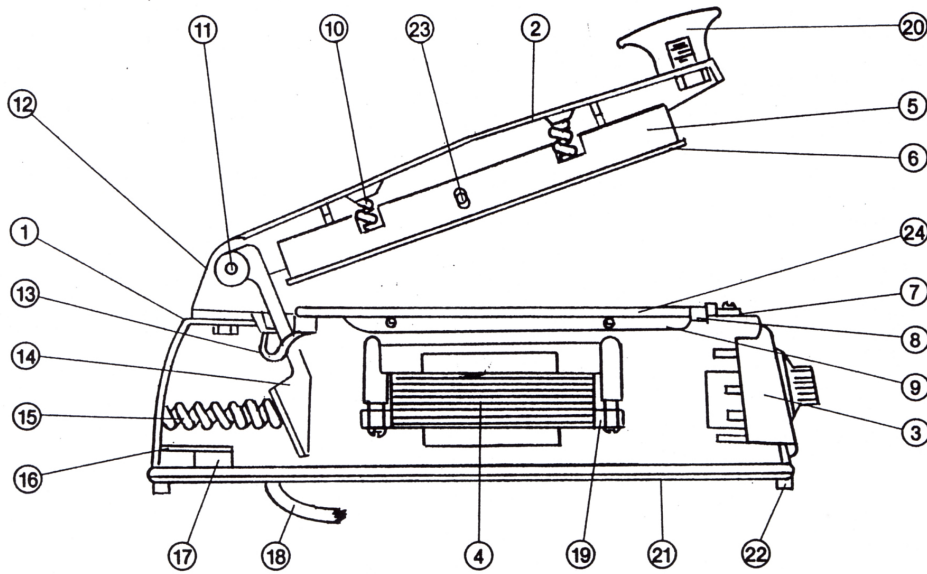
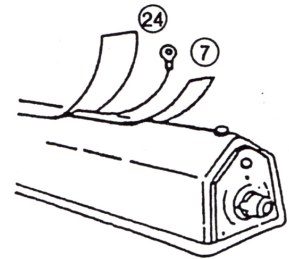


# Parts Breakdown

Model SE-CN-0508 14451



ELEMENT SERVICE KIT (25)



# Parts Breakdown

## Model SE-CN-0508 14451

| Item No.              | Description                                      | Position | Item No.              | Description                                   | Position | Item No. | Description                    | Position |
|-----------------------|--|----------|-----------------------|---|----------|----------|--------------------------------|----------|
| 77332                 | Main Housing for 14451                           | 01       | 19424                 | Spring for 14451                              | 10       | 19426    | Bracket for 14451              | 19       |
| 77333                 | Hand Lever for 14451                             | 02       | <a href="#">76816</a> | Hand Lever Pin for 14451                      | 11       | 77339    | Lever Hand Knob for 14451      | 20       |
| 16038                 | Timer Assembly for 14451                         | 03       | <a href="#">76817</a> | Hand Lever Bracket for 14451                  | 12       | 64890    | Bottom Plate Housing for 14451 | 21       |
| 19200                 | Transformer - 110V for 14451                     | 04       | 76818                 | Tension Spring Element for 14451              | 13       | 77340    | Rubber Foot for 14451          | 22       |
| 77334                 | Aluminum Bar for 14451                           | 05       | 76819                 | Fulcrum Lever for 14451                       | 14       | 76825    | Pressure Bar Pin for 14451     | 23       |
| 77335                 | Rubber Seal for 14451                            | 06       | 77337                 | Lever Hand Spring for 14451                   | 15       | 77341    | Teflon Strip for 14451         | 24       |
| 64153                 | Sealing Band Element Trim Wire Element for 14451 | 07       | 76820                 | <a href="#">Microswitch</a> Bracket for 14451 | 16       | 16042    | Element Service Kit for 14451  | 25       |
| <a href="#">25192</a> | Element Insulator for 14451                      | 08       | 77338                 | <a href="#">Microswitch</a> for 14451         | 17       |          |                                |          |
| 77336                 | Teflon Cover Plate for 14451                     | 09       | <a href="#">76822</a> | Power with Plug Cord for 14451                | 18       |          |                                |          |