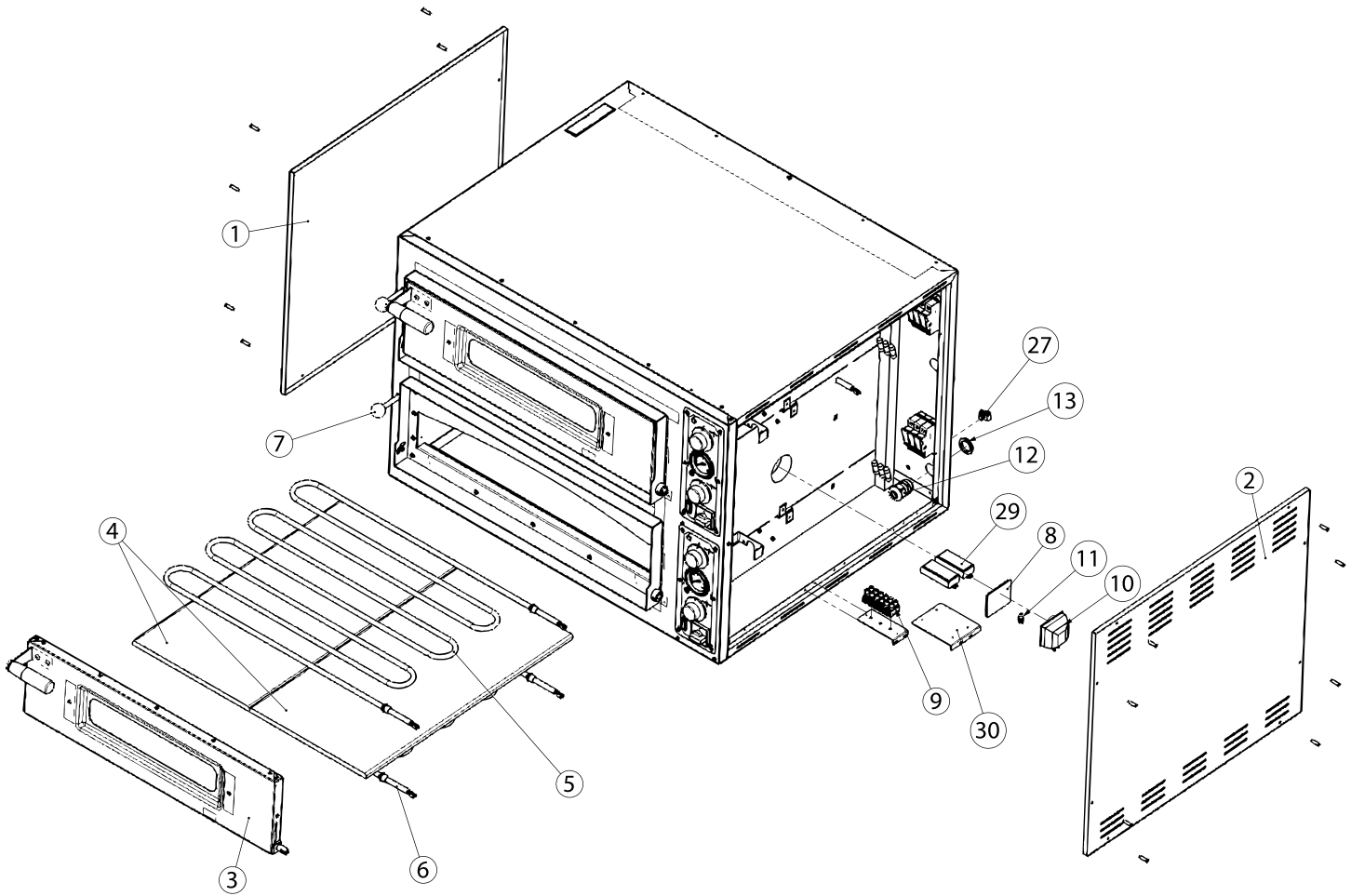


# Parts Breakdown

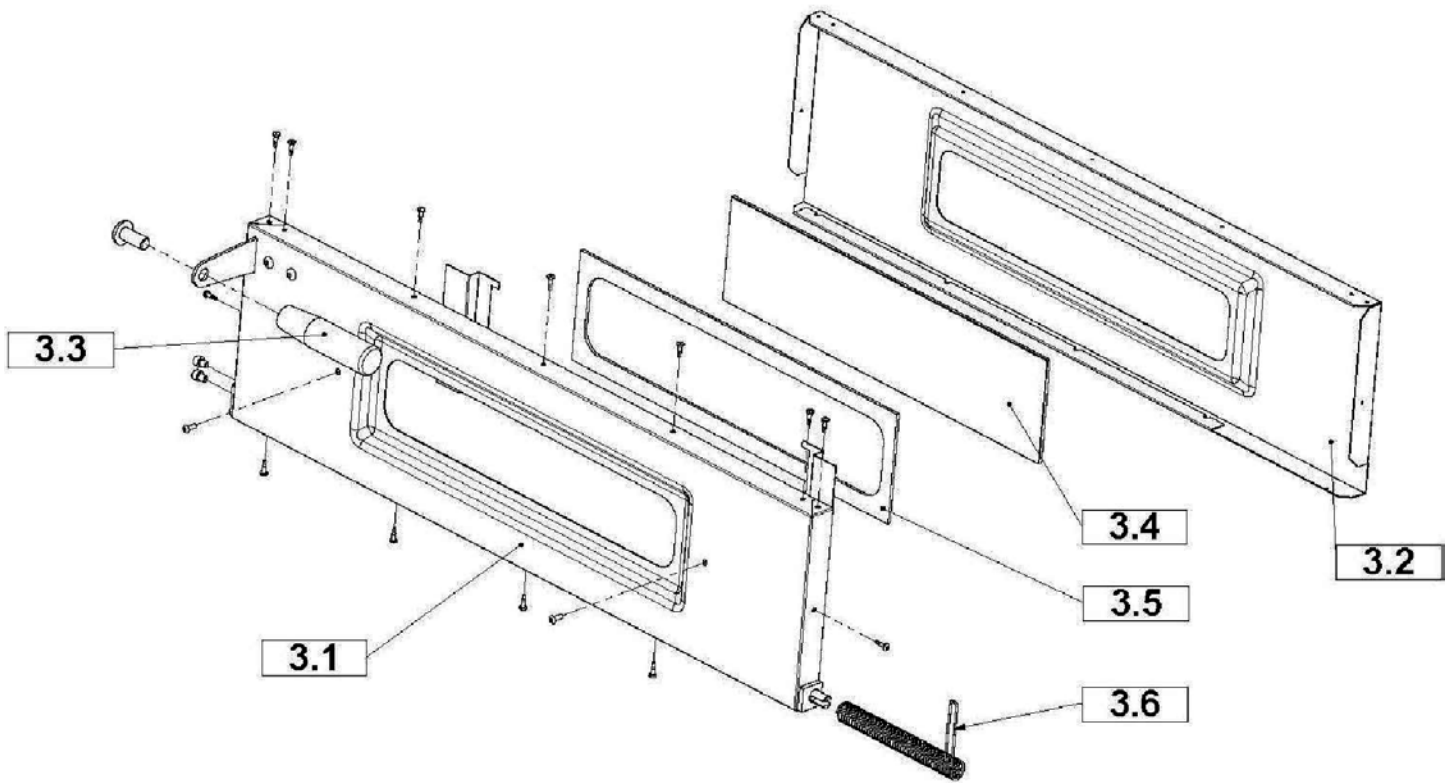
Model PE-IT-0038-D 40636



# Parts Breakdown

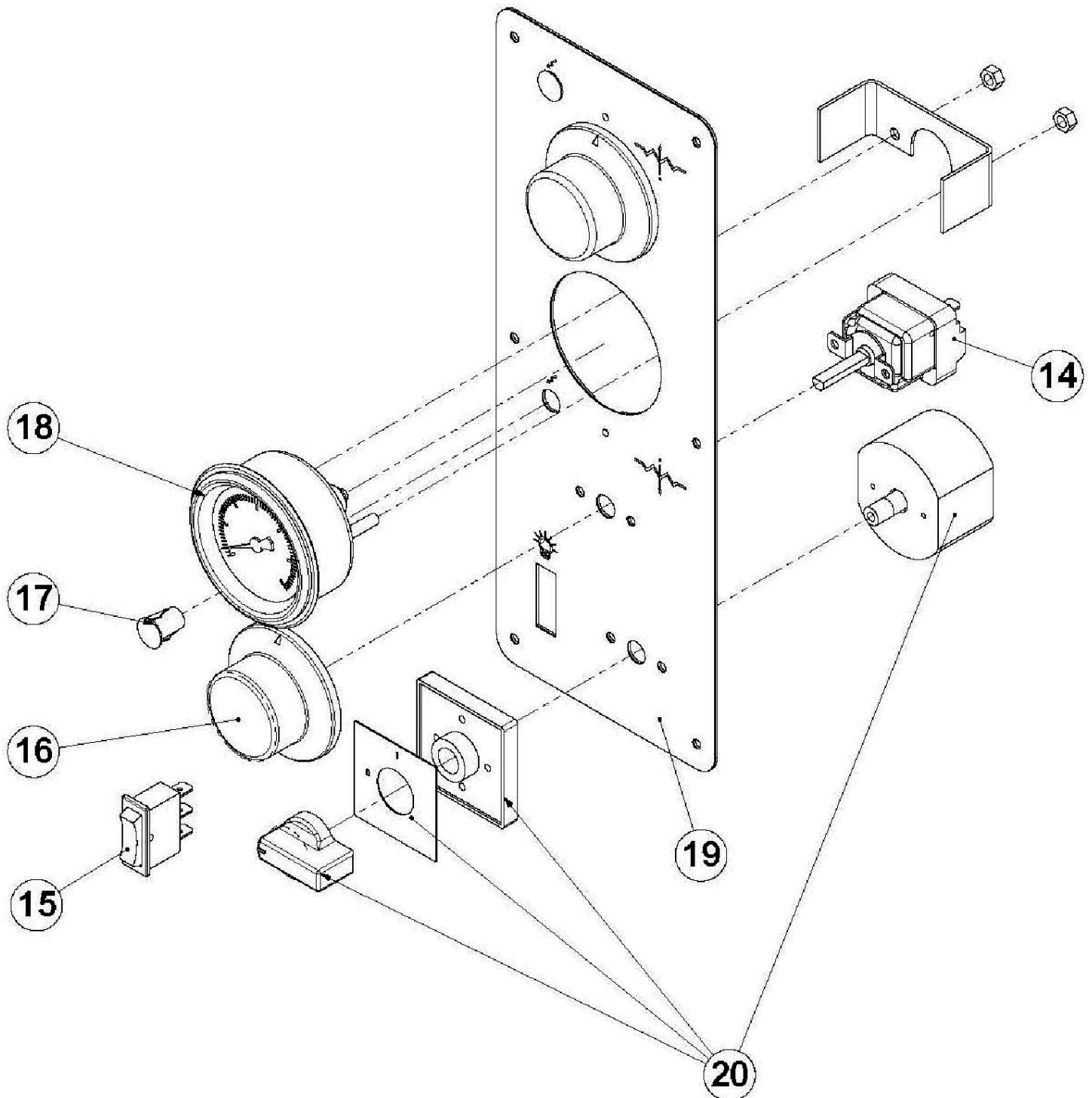
---

Model PE-IT-0038-D 40636



# Parts Breakdown

Model PE-IT-0038-D 40636



# Parts Breakdown

## Model PE-IT-0038-D 40636

Item No.	Description	Position	Item No.	Description	Position	Item No.	Description	Position
77228	Entry LH Side Panel for 40636	1	76614	Spheric Knob PLX.30-M8-C9 for 40636	7	42848	Transparent LED Bulb 380V (Including Hood) for 40636	17
77229	Entry RH Side Panel for 40636	2	AC196	Rectangular Lamp Glass for 40636	8	74749	Thermometer Ø 60 TAR. 0-500C for 40636	18
76604	Entry Complete Door for 40636	3	42831	Terminal Board PA220FV 12 Poles 16sqmm 750V-76A for 40636	9	76626	Entry Control Label for 40636	19
76605	Entry Door Assembly for 40636	3.1	AC197	Lamp Holder with Bulb and Cover for 40636	10	42035	16A Actuator P0160004R001 4-Polar Switch for 40636	20
76606	Counter Door Assembly for 40636	3.2	74855	Halogen Bulb 12V 20W G4 for 40636	11	42849	Resin Bonded Label for 40636	22
76607	Elesa Handle I 280/115 for 40636	3.3	74747	Cable Gland OBO 106 PG 21 for 40636	12	42837	Equipotential Attachment (OBO. T5012+OBO.5016M5) for 40636	27
41771	Glass Door for 40636	3.4	74746	Nut for Cable Gland OBO 106 PG 11 for 40636	13	62493	Transformer 40VA 50/60Hz 230V-12V for 40636	29, 30
76609	Joint Entry for 40636	3.5	42050	EGO Unipolar Thermostat for 470° Ovens Bulb 163mm for 40636	14	AM699	Thermostat Probe Support Safety T.D. 8438.90.00 (Bracket) for 40636	
76650	Brick 350x700x14 for 40636	4	42048	Luminous Unipolar Red Switch for 40636	15	AM700	Unipolar Safety Thermostat 512TH - UL (55.13584.010) T.D. 8514.90.70 for 40636	
76612	Resistor 2800 W 230 V Prime for 40636	5, 6	76646	Thermostat Knob AP10 Scale 0-10 for 40636	16	AM701	Vite TC+ Autofor. 3.9x13 ZN NR 24.00 N8E T.D. 7318.12.10 for 40636	