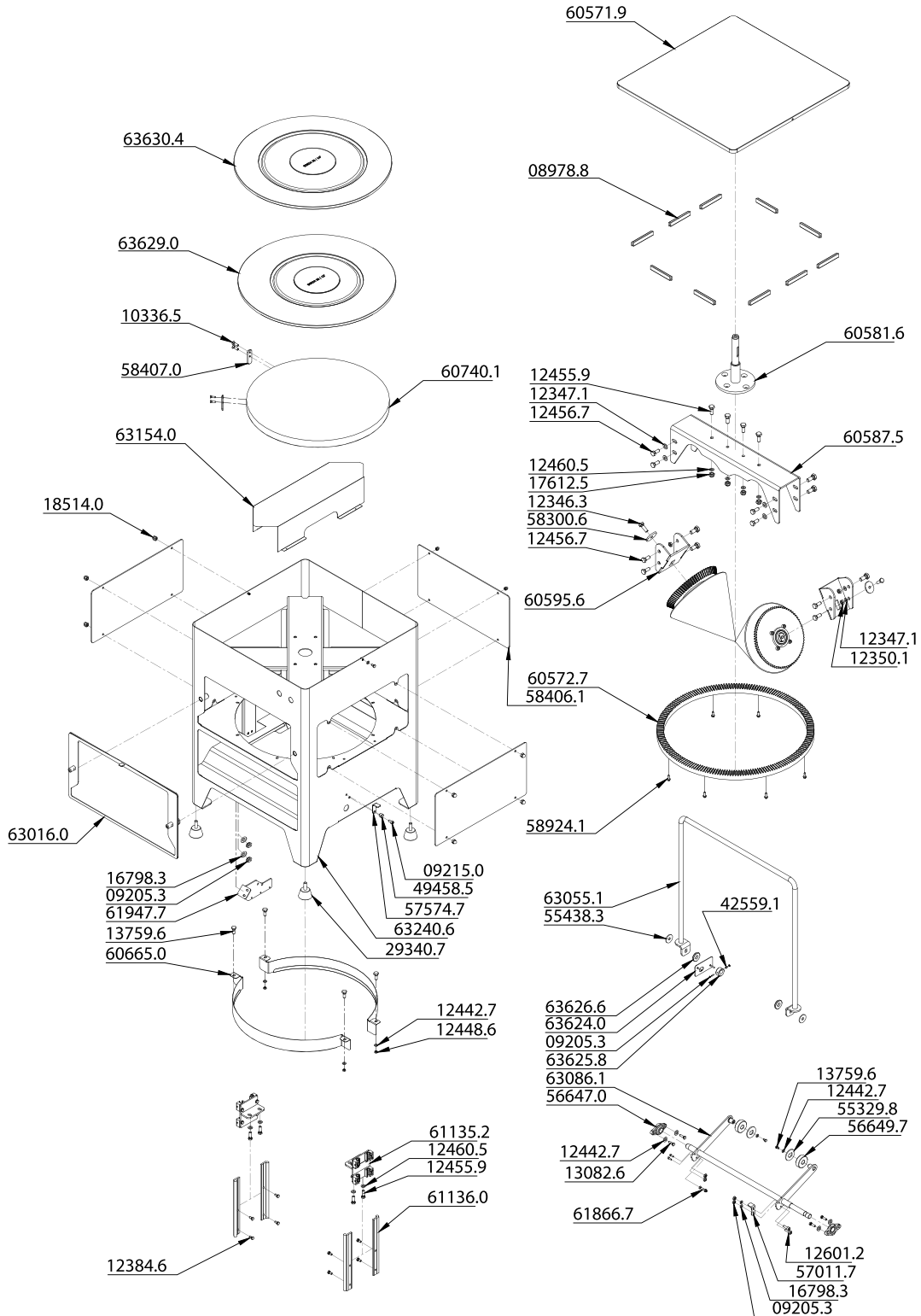


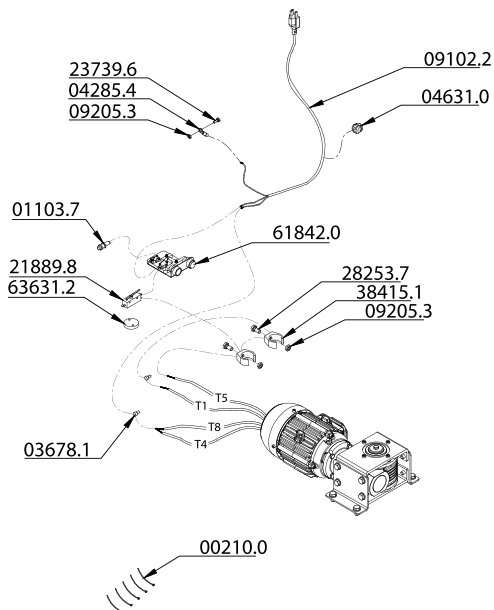
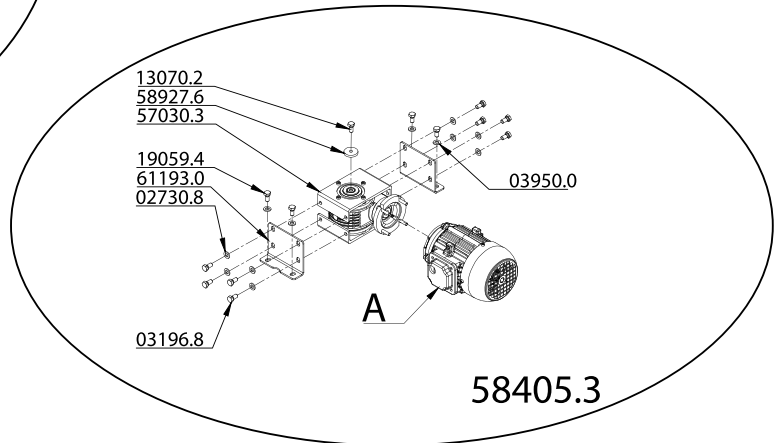
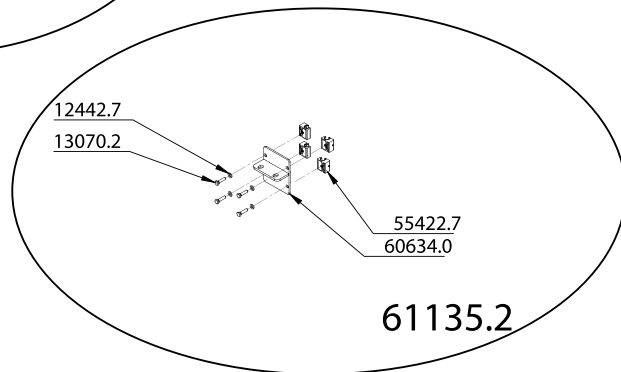
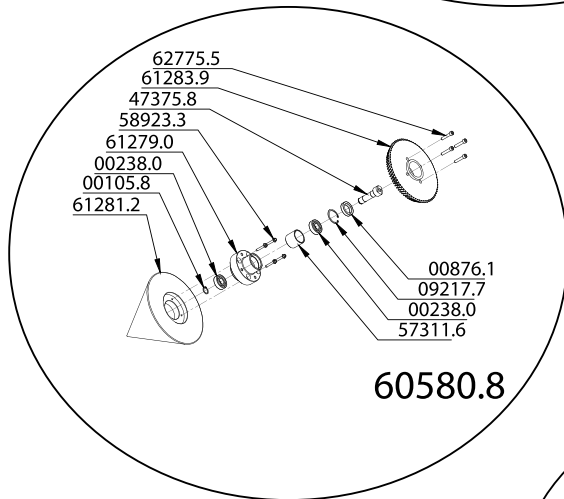
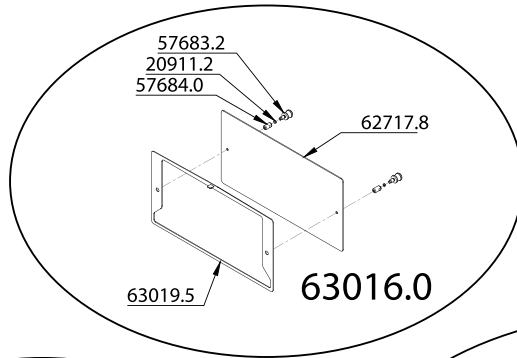
Parts Breakdown

Model PE-BR-0500 45763



Parts Breakdown

Model PE-BR-0500 45763



- 31140.5
- 27154.3
- 51792.5
- 25434.7
- 32832.4
- 61948.5
- 62187.0

Parts Breakdown

Model PE-BR-0500 45763

Item No.	Description	Position	Item No.	Description	Position	Item No.	Description	Position
38450	Ring 20x1.2 DIN 471 for AMP500	00105.8	67029	Screw M6x10 DIN 933 Stainless Steel for AMP500	13759.6	67049	Stop M6 for AMP500	49458.5
27688	Clamp K22 (T 50R) for AMP500	00210.0	30048	Washer L.A4,3 for AMP500	16798.3	67050	Actuator 1 Channel for AMP500	49717.7
16396	Ball Bearing 6204 Z for AMP500	00238.0	18665	Contactora 110V 50/60HZ for AMP500	18450.0	78551	Cleaning Maintenance Label for AMP500	50665.6
67021	Retainer.00131BR* (F0311) DI.30xDE.47xL.10 for AMP500	00876.1	67030	Nut M6 DIN1587 Right Nickel Plated Brass for AMP500	18514.0	67051	Do Not Use Water Spray Label GR. E/I for AMP500	51792.5
67022	Light.LP-11C 110/220V Red for AMP500	01103.7	27709	Screw M8x16 DIN 933 ZB for AMP500	19059.4	67052	Attention Label GR. E/I for AMP500	51844.1
27693	Washer L.A8,4 ZB for AMP500	02730.8	38052	Magnet Diam.8x4mm for AMP500	20911.2	67053	Cord.3x1,0mm2x1800mm S/Plug for AMP500	52064.0
38393	Screw Nut M3 DIN 934 ZB for AMP500	03088.0	67031	Key MG-2605 IR/E3Y - Kema Certified for AMP500	21889.8	67054	Washer with Facet for AMP500	55329.8
38395	PFS M8x10 DIN 933 ZB for AMP500	03196.8	67032	Screw M3x25 DIN 7985 ZB for AMP500	22120.1	67055	Linear Guide Drylin W 400mm for AMP500	55421.9
27696	Nylon Cover CN 4478 for AMP500	03678.1	67033	Screw M4x10 DIN 933 Stainless Steel for AMP500	23739.6	67056	Bearing Drylin W with Adjustment for AMP500	55422.7
78587	PFS M6x16 DIN 916 FOSF. for AMP500	03856.3	67034	Screw M8x40 DIN 912 for AMP500	24213.6	67057	Washer Diam.35xDiam.10,5x3 for AMP500	55438.3
38089	Pre Isolating Terminal for AMP500	04285.4	67035	Screw M4x16 DIN 912 Stainless Steel for AMP500	24892.4	67058	Flanged Bushing EFOM-17 for AMP500	56647.0
38153	Press Cable PC 8,8mm for AMP500	04631.0	38168	Safety Instructions Label for AMP500	25434.7	67059	Roller for AMP500	56649.7
67023	Finishing Lining 550mm for AMP500	08978.8	27720	Omcan Logo (Machines) for AMP500	27154.3	67060	Reductor Support for AMP500	56903.8
65887	Cord 3x1mm2C/PGRE 2PC1PR for AMP500	09102.2	38344	PFS M4x8 DIN 933 INOX for AMP500	28253.7	67061	Stop for AMP500	57011.7
38404	Nut M4 DIN 934 for AMP500	09205.3	67037	Foot BOR.Red.C/PFS M10x30 D.50x34x30 ALT for AMP500	29340.7	67062	Movable Table Reductor 1:40 L0413202E0A001 for AMP500	57030.3
67024	Screw M5x10 DIN 912 INOX for AMP500	09215.0	67038	Grounded Wire Label for AMP500	31140.5	67063	Block Sheet for AMP500	57475.9
27703	Ring 47x1.75 DIN 472 for AMP500	09217.7	67039	Nut M4 DIN 985 Stainless Steel for AMP500	31800.0	67064	Z Shaped Support for AMP500	57573.9
67025	Screw M3x10 DIN 965 INOX for AMP500	10336.5	67040	Instruction Manual Label for AMP500	32832.4	67065	Stop Sheet for AMP500	57574.7
38458	Large Rubber Ring for AMP500	10975.4	67041	Key 40127 A2E3Q-NA KEMA for AMP500	33172.4	67066	Stainless Steel Handle M8 for AMP500	57683.2
67026	Screw M10x30 DIN 933 Stainless Steel for AMP500	12346.3	30070	Capacitor Support 60Hz for AMP500	38415.1	67067	Magnet Housing for AMP500	57684.0
38207	Washer.L.A10,5 DIN 125 Stainless Steel for AMP500	12347.1	67042	Emergency Button 2NF (Pull to Unlock) for AMP500	40640.6	67068	Sensor Support	57685.9
16419	Washer L.A6 4 125 INOX for AMP500	12442.7	67043	Emergency Label (10045238) for AMP500	40643.0	67069	1 Channel Sensor 1000mm 110/220V for AMP500	57910.6
38281	Screw Nut M6 DIN934 INOX for AMP500	12448.6	67044	Tread Pole IEC 60715 (10289061) for AMP500	40693.7	67070	Label AMP-400 E/I No Logo for AMP500	58293.0
16422	Screw M8x20 DIN 933 Stainless Steel for AMP500	12455.9	67045	Contactora Base 138mm with Holes for AMP500	42136.7	67071	Tightening Washer for AMP500	58300.6
67027	Screw M10x25 DIN 933 Stainless Steel for AMP500	12456.7	38081	PFS M4x12 DIN 916 INOX for AMP500	42559.1	67072	Motor 0,5CV 110V 60Hz W (14070050) for AMP500	58394.4
16423	Washer L.A8,4 Stainless Steel for AMP500	12460.5	67046	#ACO I.304 B.Red.20mm Desc. NBR8580/ASTMA484 for AMP500	44049.3	67073	Complete Reductor Motor 110V for AMP500	58405.3
67028	Screw M4x12 DIN 912 Stainless Steel for AMP500	12601.2	67047	Roll Bearing for AMP500	47350.2	67074	Side Closure without Logo for AMP500	58406.1
78967	Screw M6x25 DIN 933 Stainless Steel for AMP500	13070.2	67048	Cone Shaft for AMP500	47375.8	67075	Tray Stop for AMP500	58407.0
38086	Screw M8x16 DIN 933 Stainless Steel for AMP500	13238.1	65979	On/Off Key without LED for AMP500	48557.8	67076	Coupling Relay 127VAC RA127AC10 for AMP500	58590.4

Parts Breakdown

Model PE-BR-0500 45763

Item No.	Description	Position	Item No.	Description	Position	Item No.	Description	Position
67077	Screw 6,3x40 DIN 571 ZB for AMP500	58923.3	67094	Complete Frontal Protection 500 for AMP500	60666.9	67111	Complete Frontal Protection for AMP500	63016.0
67078	Screw 6,3x19 DIN 7970 Stainless Steel for AMP500	58924.1	67095	Frontal Closure 500 for AMP500	60668.5	67112	Handle for AMP500	63054.3
67079	Washer Diam.30xDiam.7x5mm for AMP500	58927.6	67096	Central Structure Set for AMP500	60669.3	67113	Lever Sheet for AMP500	63055.1
67080	End Crust Tray 25 with Labels for AMP500	59234.0	67097	Modeler Base 500 for AMP500	60740.1	67114	Activator Set 500 for AMP500	63086.1
67081	End Crust Tray 30 with Labels for AMP500	59235.8	67098	Conical Roll 500 for AMP500	60759.2	67115	Air Deflector for AMP500	63154.0
67082	End Crust Tray 35 with Labels for AMP500	59236.6	67099	Conical Gear Z73 M3 for AMP500	60760.6	67116	Central Structure Set for AMP500	63240.6
67083	End Crust Tray 40 with Labels for AMP500	59237.4	67100	End Crust Tray 50 / 20" for AMP500	61374.6	67117	Activator Closure Set for AMP500	63624.0
67084	Activating Set 500 for AMP500	60524.7	67101	End Crust Tray 45 / 18" for AMP500	61375.4	67118	Excentric Activator for AMP500	63625.8
67085	Lever Set 500 for AMP500	60526.3	67102	End Crust Tray 40 / 16" for AMP500	61376.2	67119	Lever Separator for AMP500	63626.6
67086	Superior Closure 500 for AMP500	60571.9	67103	End Crust Tray 35 / 14" for AMP500	61377.0	67120	Tray with End Crus Complete 45 e 30 for AMP500	63629.0
67087	Central Gear Z192 M3 for AMP500	60572.7	67104	End Crust Tray 30 / 12" for AMP500	61378.9	67121	Tray with End Crus Complete 50 e 35 for AMP500	63630.4
67088	Complete Conical Roll 500 for AMP500	60580.8	67105	Activating Set for AMP500	61842.0	67122	Separator Diam.35 for AMP500	63631.2
67089	Central Shaft Set 500 for AMP500	60581.6	67106	Activator Stop Set for AMP500	61866.7	67123	Lever Body for AMP500	63844.7
67090	Cones Support 500 for AMP500	60587.5	67107	L Shaped Support for AMP500	61947.7	67124	Lever Base Sheet for AMP500	63845.5
67091	Cones Adjustment Set for AMP500	60595.6	67108	On/Off Label for AMP500	61948.5	67125	Lever Set 500 for AMP500	63846.3
67092	Moving Car Set for AMP500	60634.0	67109	Label AMP-500 E/I for AMP500	62187.0			
67093	Central Protection for AMP500	60665.0	67110	Frontal Closure for AMP500	62717.8			