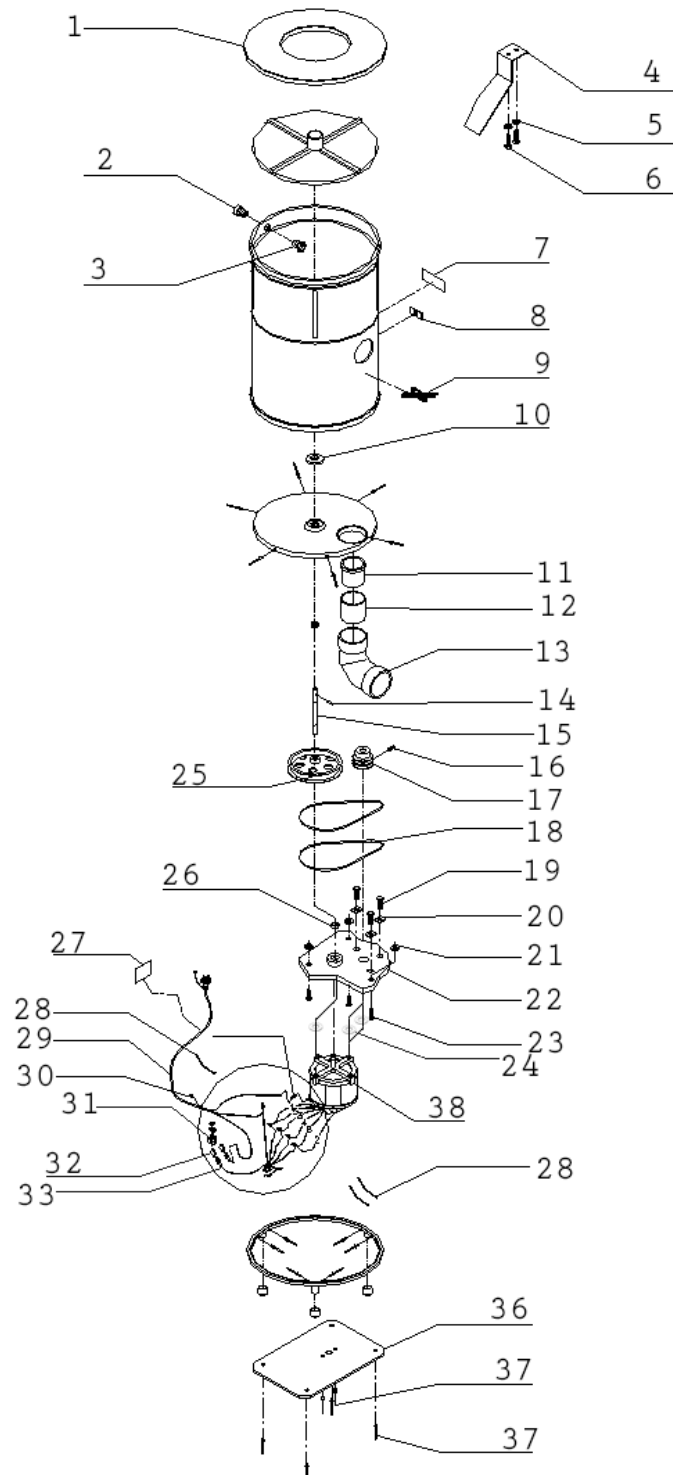


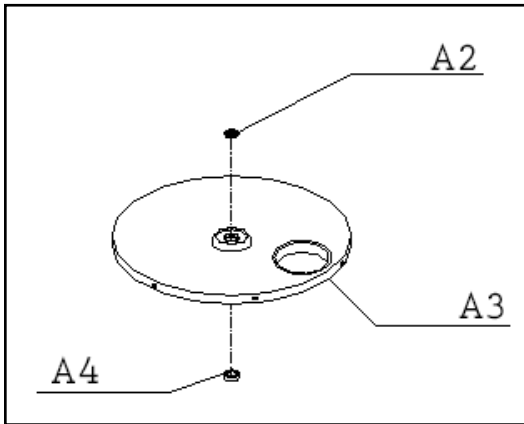
Parts Breakdown

Model PE-BR-0004 13442

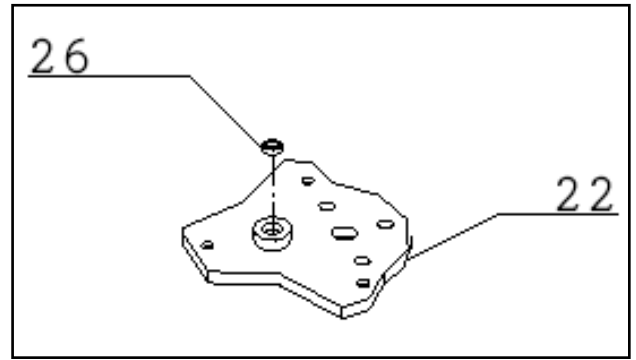


Parts Breakdown

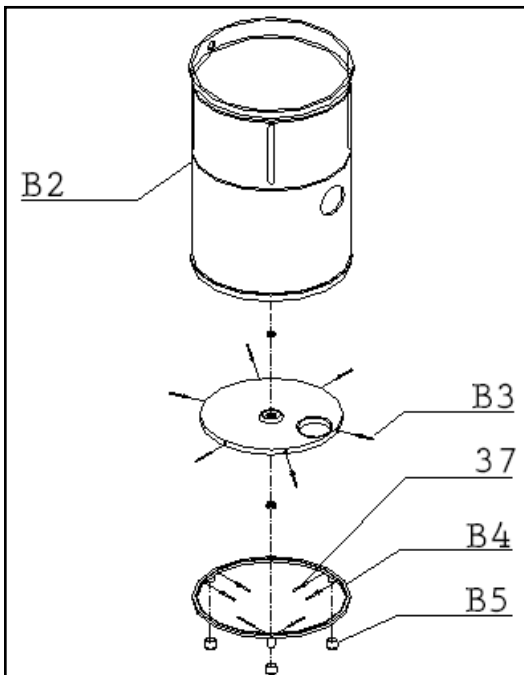
Model PE-BR-0004 13442



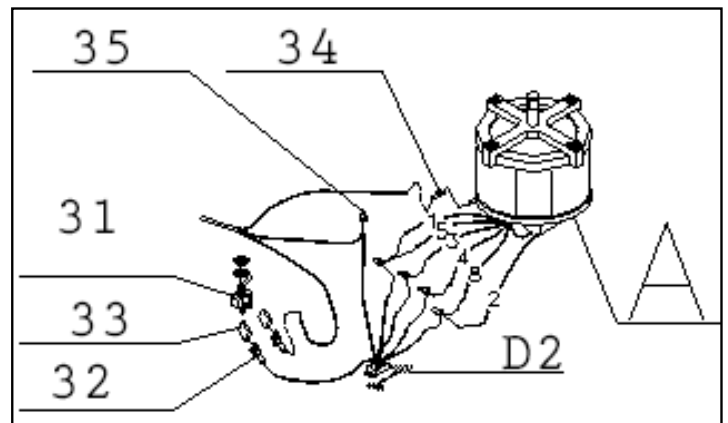
Complete Base A1



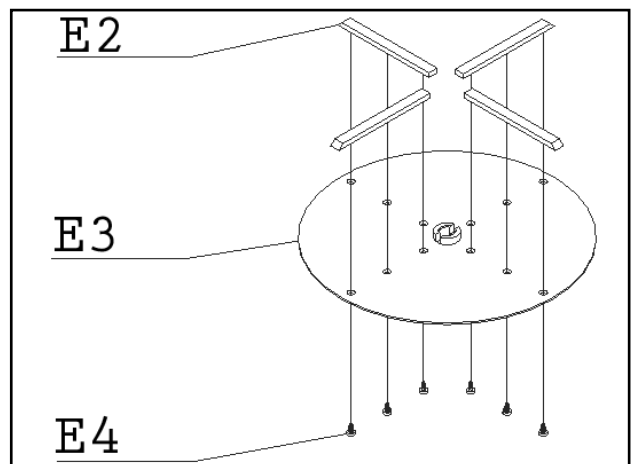
Complete Motor Support C1



Complete Cabinet B1



Complete Motor Kit D1



Complete Disc E1

Parts Breakdown

Model PE-BR-0004 13442

Item No.	Description	Position	Item No.	Description	Position	Item No.	Description	Position
30343	Cabinet Lid for 13442	1	30275	Screw 6x20 for 13442	23	30328	Peeler Base for 13442	B4
30194	Reduction Bush for 13442	2	30258	Washer L 5/16 ZB for 13442	24	16404	Peeler Feet for 13442	B5
24020	Reduction Set for 13442	3	30321	Moved Pulley for 13442	25	19749	Complete Motor Support for 13442	C1
30313	Movement Sheet for 13442	4	30201	Ball Bearing 6202 for 13442	26	30388	Complete Motor 0.25HP 60Hz for 13442	D1
16419	Washer L.A6 4 125 Inox for 13442	5	30259	Clamp K22 T-50R for 13442	28	18949	Select Switch for 13442	D2
16416	Screw M6x12 DIN 933 S/S for 13442	6	30305	Cable 3x1.0mm with Plug for 13442	29	20016	Disc with Rubber Bumpers for 13442	E1
30249	ON/OFF Label for 13442	8	38208	Wire Passer Molde 0922231 for 13442	30	38103	Rubber Fin for 13442	E2
30364	Omcan Logo for 13442	9	16394	Switch 14123 - A1B1E3Q for 13442	31	38104	Fully Grey Disc for 13442	E3
30191	Rubber Retainer 5206 for 13442	10	30050	Terminal Cover for 13442	32	38105	Screw for Rubber Fin for 13442	E4
30254	Machine Sleeve 75mm Diameter for 13442	11	30030	Positive Terminal Lock 0 5 A1 5 for 13442	33	30317	Screw 1/4 x 1/4 for 13442	X1
30218	Extension 75mm Diameter for 13442	12	27692	Insulating Terminal EF-4228 for 13442	34	30215	Switch HH-201 for 13442	X2
30293	Outlet Pipe 75mm for 13442	13	30350	Nylon Cover CN-4472 for 13442	35	30281	Screw M6x12 DIN 933 for 13442	X3
30331	Elastic Pin 6x40 for 13442	14	30303	Protection Sheet for 13442	36	30236	Washer L.A6 4 for 13442	X4
30306	Central Shaft for 13442	15	30029	Pressure Rivet AD-423-S for 13442	37	30185	Electrical Cable Switch for 13442	X5
30319	Screw 1/4 x 3/8 for 13442	16	38102	Motor 0.25HP 60Hz for 13442	38	30181	Enclosed Terminal Tube 1/4x20mm for 13442	X6
30288	Driving Pulley for 13442	17	30377	Complete Base for 13442	A1	30384	Motor 0.25HP 60Hz for 13442	X7
30230	Belt 1160 for 13442	18	30207	Retainer 00726BR for 13442	A2	30058	Cable 3x0.75mm2 for 13442	X8
27686	PFS UNC 1/4 x 3/4 RTZB for 13442	19	30374	Base for 13442	A3	30059	Omcan Logo for 13442	X9
30222	Washer 78x7x20x25mm for 13442	20	30212	Ball Bearing 6203 for 13442	A4	30389	Complete Motor 0.25HP 60Hz for 13442	X10
30234	Washer L 1/4 x 1 6ZB for 13442	21	30401	Complete Cabinet for 13442	B1	30375	Washer L.A21 DIN 125 Inox for 13442	X11
30332	Motor Support for 13442	22	30372	Cabinet for 13442	B2			