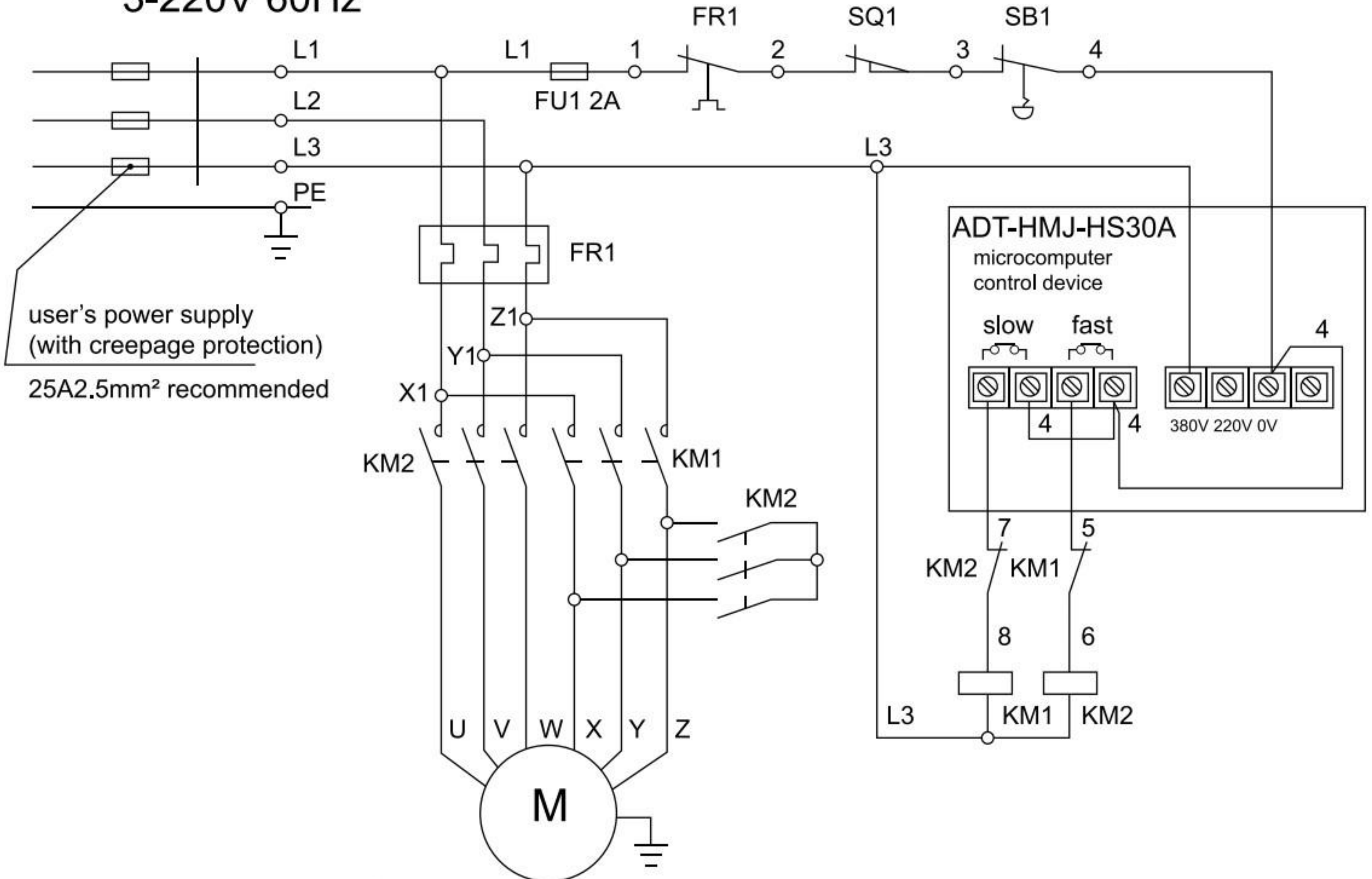


3-220V 60Hz



user's power supply  
(with creepage protection)  
25A2.5mm<sup>2</sup> recommended

Bi-Speed Motor