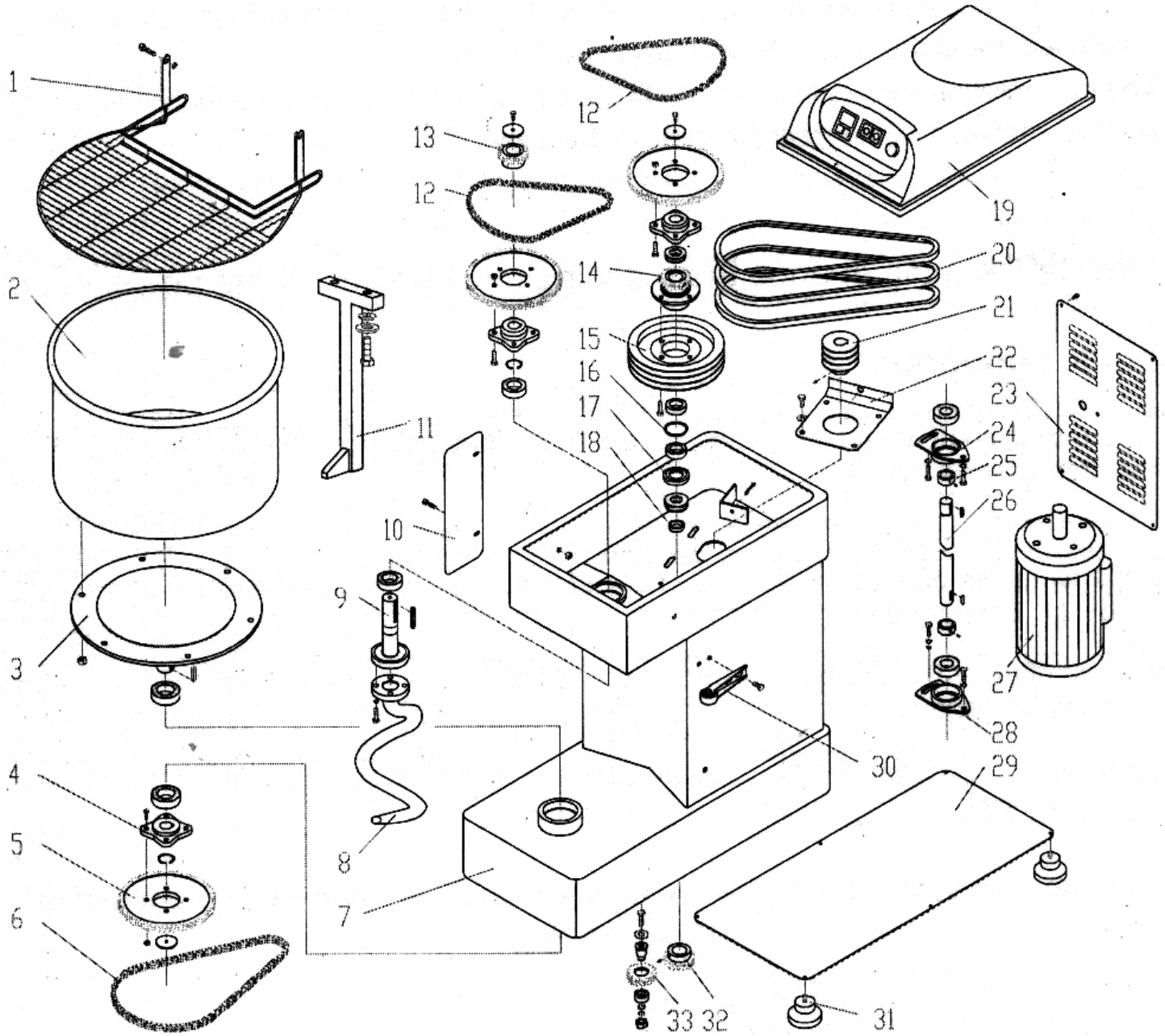


Parts Breakdown

Model MX-CN-0053 19196



Parts Breakdown

Model MX-CN-0053 19196

Item No.	Description	Position	Item No.	Description	Position	Item No.	Description	Position
76996	Protective Casing for 19196	1	77008	Chain Pulley Z = 19 for 19196	13	77020	Locking Ring for 19196	25
76997	Bowl for 19196	2	77009	Chain Pulley Z = 19 for 19196	14	77021	Transmission Shaft for 19196	26
76998	Bowl Support for 19196	3	77010	Big Belt Pulley for 19196	15	77022	Motor for 19196	27
76999	Chain Seat for 19196	4	77011	Washer for 19196	16	77023	Bearing Seat for 19196	28
77000	Big Chain Pulley Z = 75 for 19196	5	77012	Washer for 19196	17	77024	Bottom Plate for 19196	29
77001	Chain for 19196	6	77013	Washer for 19196	18	77025	Guiding Wheel for 19196	30
77002	Frame for 19196	7	77014	Top Cover for 19196	19	77026	Rubber Foot for 19196	31
77003	Dough Arm for 19196	8	77015	Belt for 19196	20	77027	Bottom Pulley Z = 19 for 19196	32
77004	Shaft for 19196	9	77016	Small Belt Pulley for 19196	21	77028	Tension Pulley Z = 19 for 19196	33
77005	Protective Plate for 19196	10	77017	Motor Fixed Plate for 19196	22	27948	Push-Lock Turn-Reset Switch for 19196	
77006	Center Rod for 19196	11	77018	Back Cover for 19196	23	27945	Micro Computer Controller for 19196	
77007	Chain for 19196	12	77019	Bearing Seat for 19196	24			