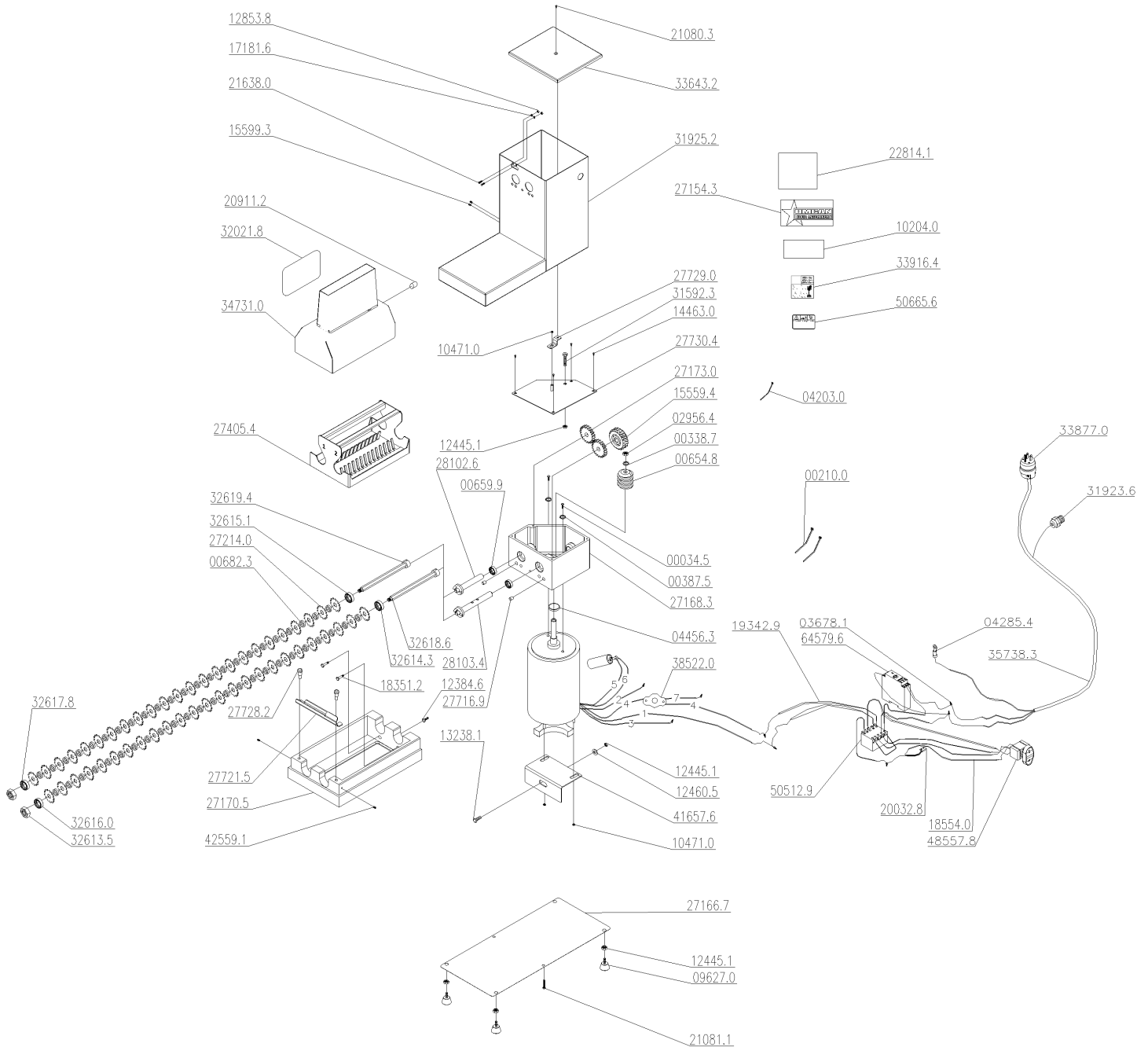


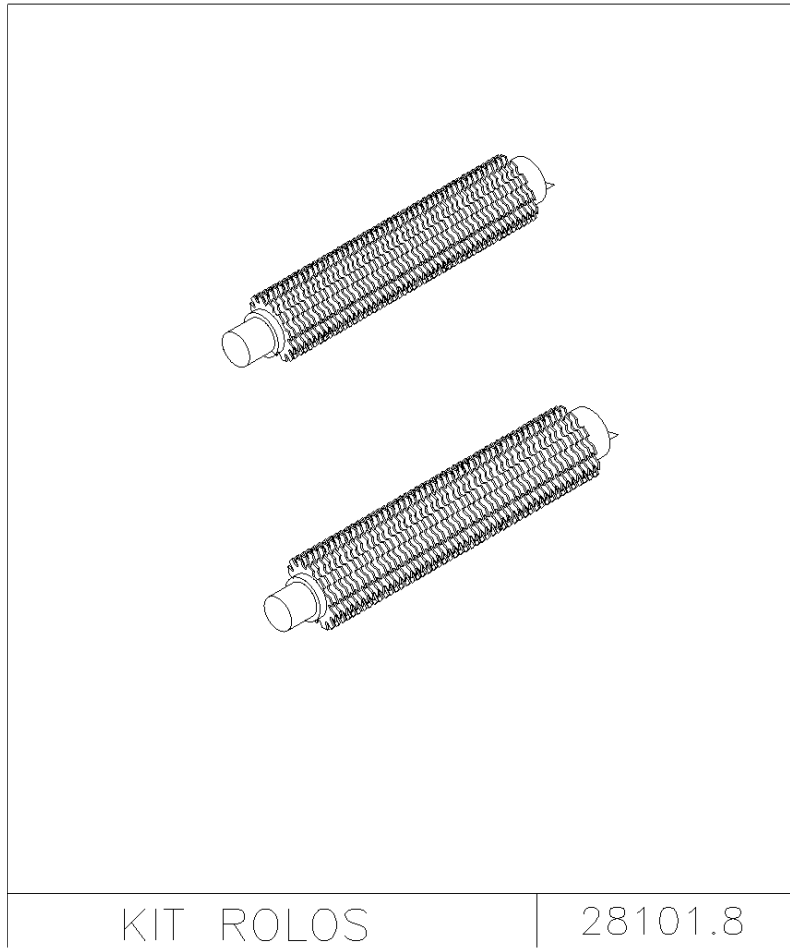
Parts Breakdown

Model MT-BR-0400 17847



Parts Breakdown

Model **MT-BR-0400** 17847



Parts Breakdown

Model MT-BR-0400 17847

Item No.	Description	Position	Item No.	Description	Position	Item No.	Description	Position
30319	Screw 1/4x3/8 for 17847	00034.5	38091	Fio Eletr.Preto 1x380mm for 17847	18554.0	27724	Silicone Protection Cap for 17847	29693.7
27688	Clamp K22 (T 50R) for 17847	00210.0	38069	Fio 0.75mm2x80mm for 17847	19342.9	38057	Suspiro Caixa Engrenagem for 17847	31592.3
30186	Wire Passer Molde 0922231 for 17847	00218.6	38090	Reed Switch for 17847	20032.8	27726	Cord Holder PG13.5 LC+P/9 for 17847	31923.6
38064	Washer P 1/2 ZB for 17847	00338.7	38096	Encapsulated Magnet for 17847	20033.6	38049	CS Estrutura for 17847	31925.2
38066	Washer L 5/16 Inox for 17847	00387.5	38087	Washer L.A5.3 Din 125 Inox for 17847	20194.4	38053	Etiq.Sentido Tampa for 17847	32021.8
38065	Screw for 17847	00654.8	38052	Magnet Diam.8x4mm for 17847	20911.2	38077	Porca dos Rolos for 17847	32613.5
20029	Retainer 00790BR for 17847	00659.9	38047	Screw M6x12 DIN 963 for 17847	21080.3	38083	Anel Tras. Rolo 1 for 17847	32614.3
38063	Nut 1/2 ZB for 17847	02956.4	27711	Screw M5x10 DIN 933 Stainless Steel for 17847	21081.1	38072	Anel Tras. Rolo 2 for 17847	32615.1
27696	Nylon Cover CN 4478 for 17847	03678.1	38046	PFS M3x12 DIN 965 Inox for 17847	21638.0	38076	Anel Diant. Rolo 1 for 17847	32616.0
27699	Clamp T 18R Small for 17847	04203.0	38050	Caution Label for 17847	22814.1	38075	Anel Diant. Rolo 2 for 17847	32617.8
38089	Pre Isolating Terminal for 17847	04285.4	27720	Omcan Logo (Machines) for 17847	27154.3	38082	Eixo Rolo 1 for 17847	32618.6
38068	O Ring 61x54x3.5mm for 17847	04456.3	38097	CS Estrutura for 17847	27160.8	38071	Eixo Rolo 2 for 17847	32619.4
38093	Rubber Foot M8x15mm for 17847	09627.0	38098	Tampa for 17847	27164.0	38048	Tampa ABN HD for 17847	33643.2
38095	Screw M4x16 DIN 916 Inox for 17847	10193.1	38092	Protecao Inferior for 17847	27166.7	AE578	Plug Americano Certificado 15A for 17847	33877.0
38055	Nut M5 DIN 934 Stainless Steel for 17847	10471.0	38067	Cabecote (Branco) for 17847	27168.3	38051	Label Attention Oil for 17847	33916.4
16416	Screw M6x12 DIN 933 Stainless Steel for 17847	12384.6	38080	Roller Support for 17847	27170.5	38054	Protection Lid for 17847	34731.0
16421	Screw Nut M8 934 Inox for 17847	12445.1	38061	Gears Z20 for 17847	27173.0	AE579	CB.3x2.1mm2 SJx2m Certif. for 17847	35738.3
16423	Washer L.A8.4 Stainless Steel for 17847	12460.5	38059	Comb Set ABN HD for 17847	27405.4	38070	Prot.Termico 10029326 for 17847	38522.0
38044	Nut M3 DIN 934 Stainless Steel for 17847	12853.8	38085	Pino Centralizador for 17847	27716.9	AE580	Estabilizador for 17847	41657.6
38086	Screw M8x16 DIN 933 Stainless Steel for 17847	13238.1	38079	Roll Lock for 17847	27721.5	38081	PFS M4x12 DIN 916 Inox for 17847	42559.1
16435	Screw M4x10 for 17847	14463.0	38078	Roll Lock Pin for 17847	27728.2	65979	On/Off Key without LED for 17847	48557.8
38062	Crown ABL for 17847	15559.4	38056	Fixador da Tampa for 17847	27729.0	AE581	Mini Cont.CWC016-01-30X19 127V 60Hz for 17847	50512.9
30279	Screw B.3.5X9.5 DIN 7971 for 17847	15599.3	38058	CS Tampa do Cabecote for 17847	27730.4	78551	Cleaning Maintenance Label for 17847	50665.6
38045	Washer L.A3.2 DIN 125 Stainless Steel for 17847	17181.6	38094	Rolls Set ABN HD for 17847	28101.8	AE582	Rele Sub./Sobretensao Monof. RM17UBE1 for 17847	64579.6
30305	Cable 3x1.0mm with Plug for 17847	17898.5	38060	Driven Shaft ABN HD for 17847	28102.6	AE583	Protecao Inferior for 17847	64694.6
38084	Screw M8x40 DIN 933 Stainless Steel for 17847	18351.2	20028	Driving Shaft ABN HD for 17847	28103.4			
18665	Contactora 110V 50/60HZ for 17847	18450.0	38100	Motor 0.5CV 60Hz W for 17847	28889.6			