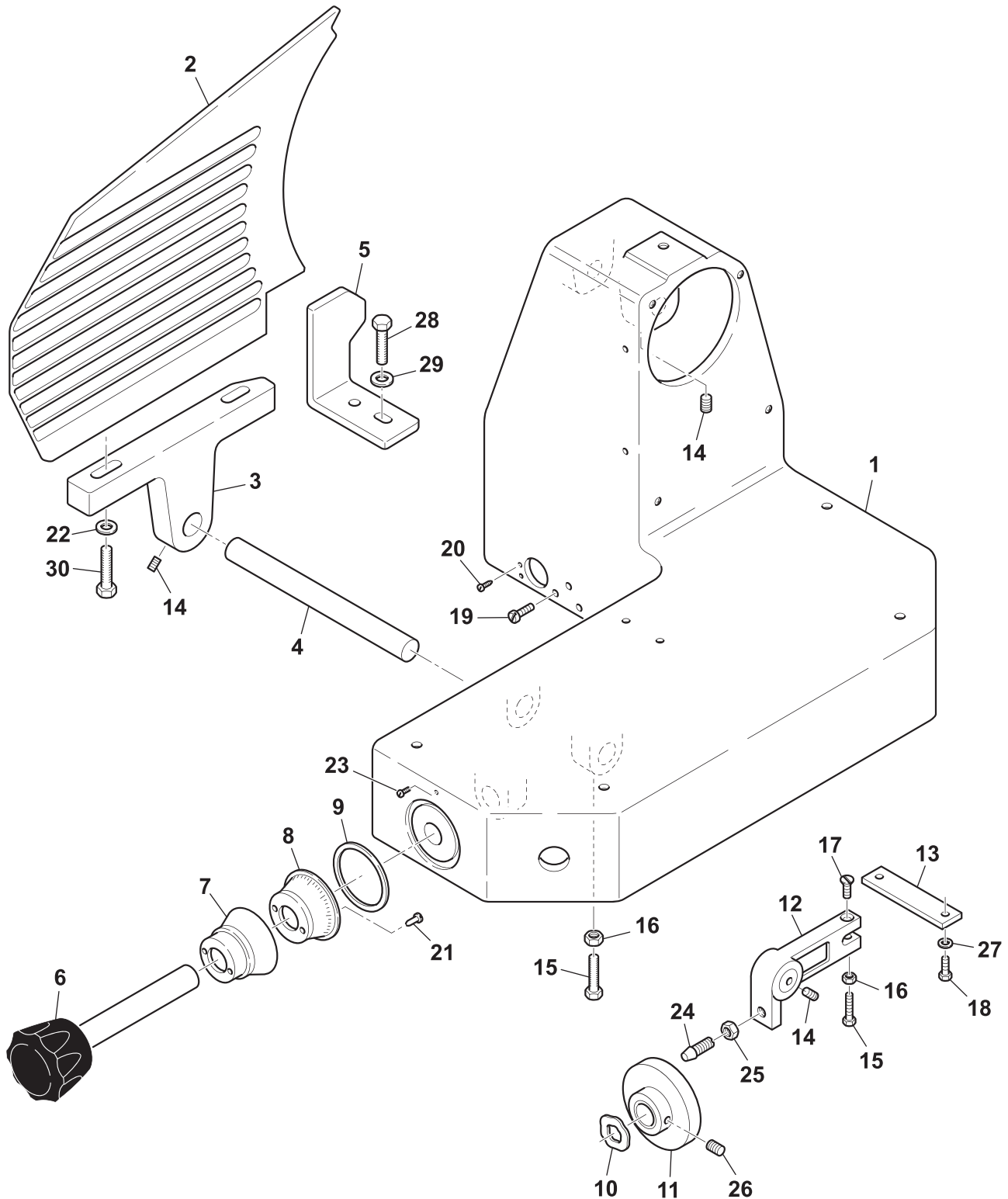


Parts Breakdown

Model MS-IT-0350 39583

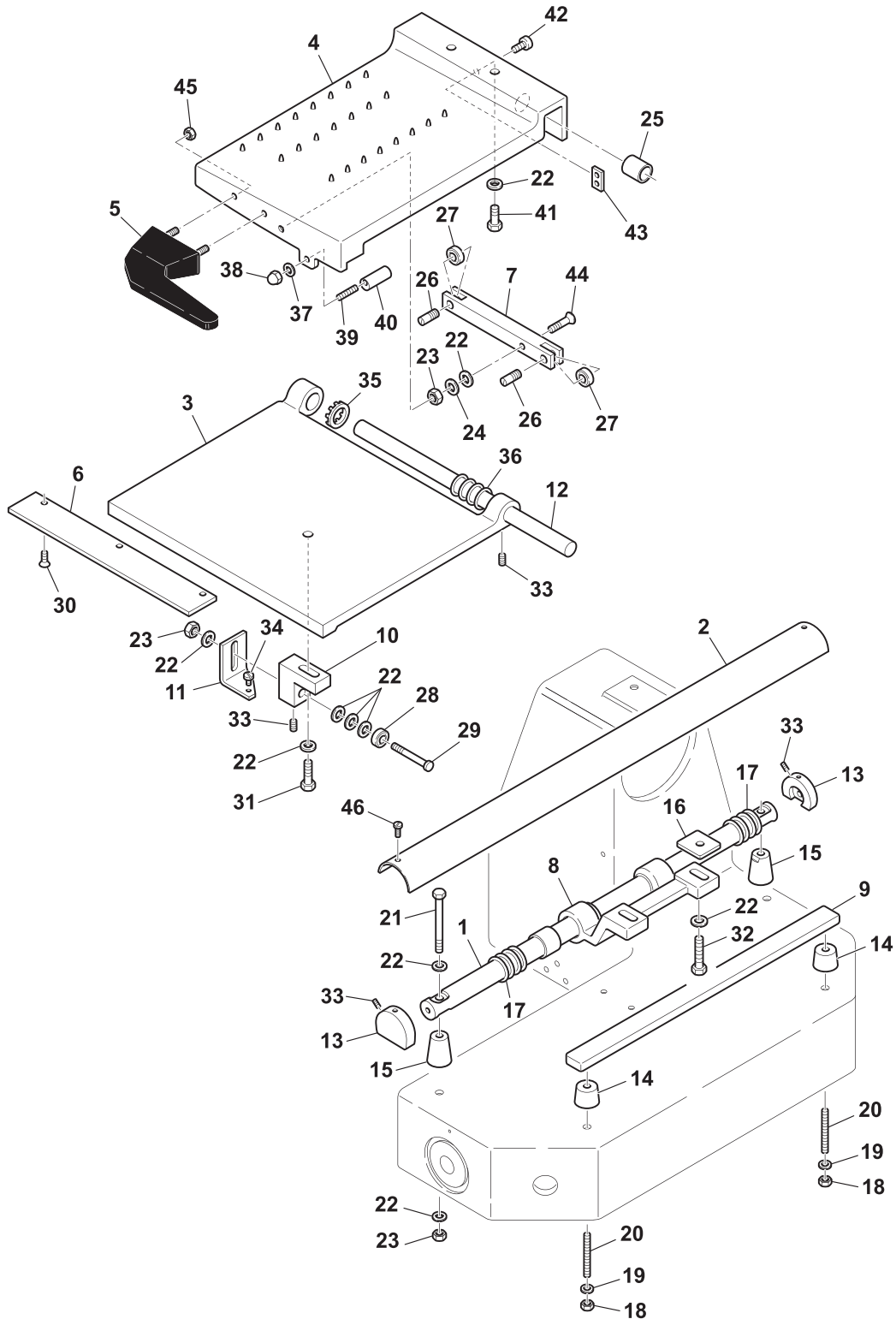
Base



Parts Breakdown

Model MS-IT-0350 39583

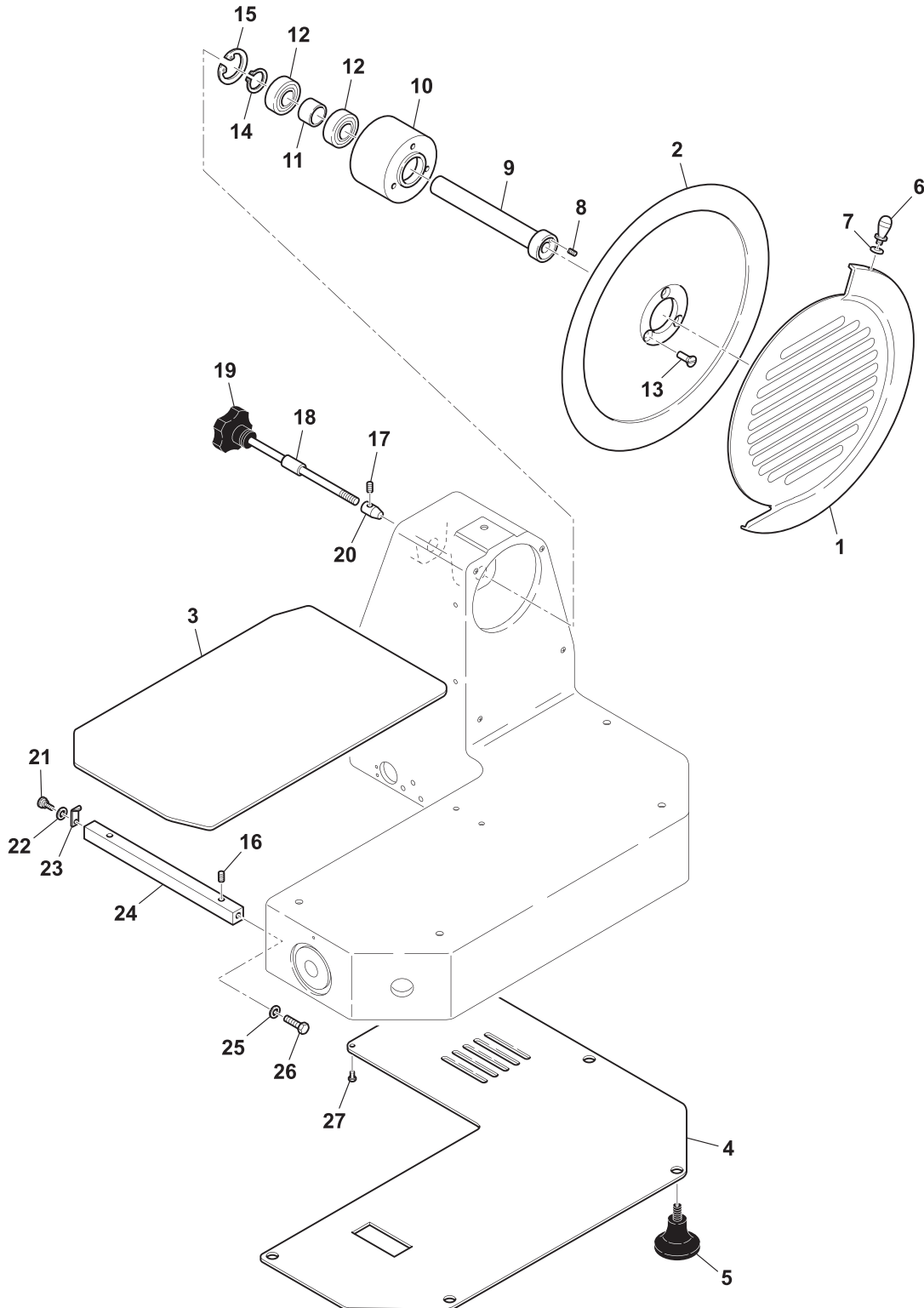
Guide



Parts Breakdown

Model MS-IT-0350 39583

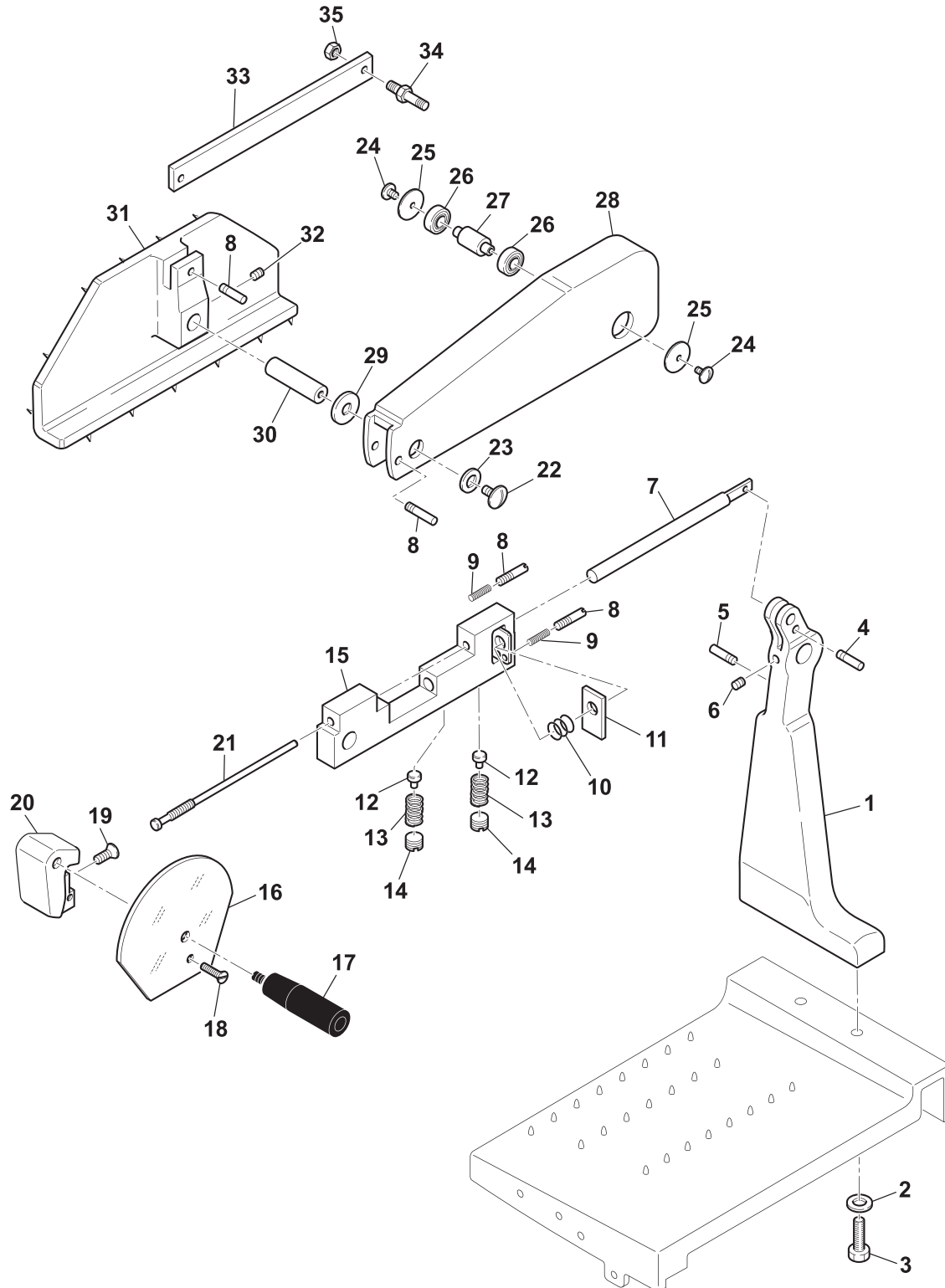
Blade



Parts Breakdown

Model MS-IT-0350 39583

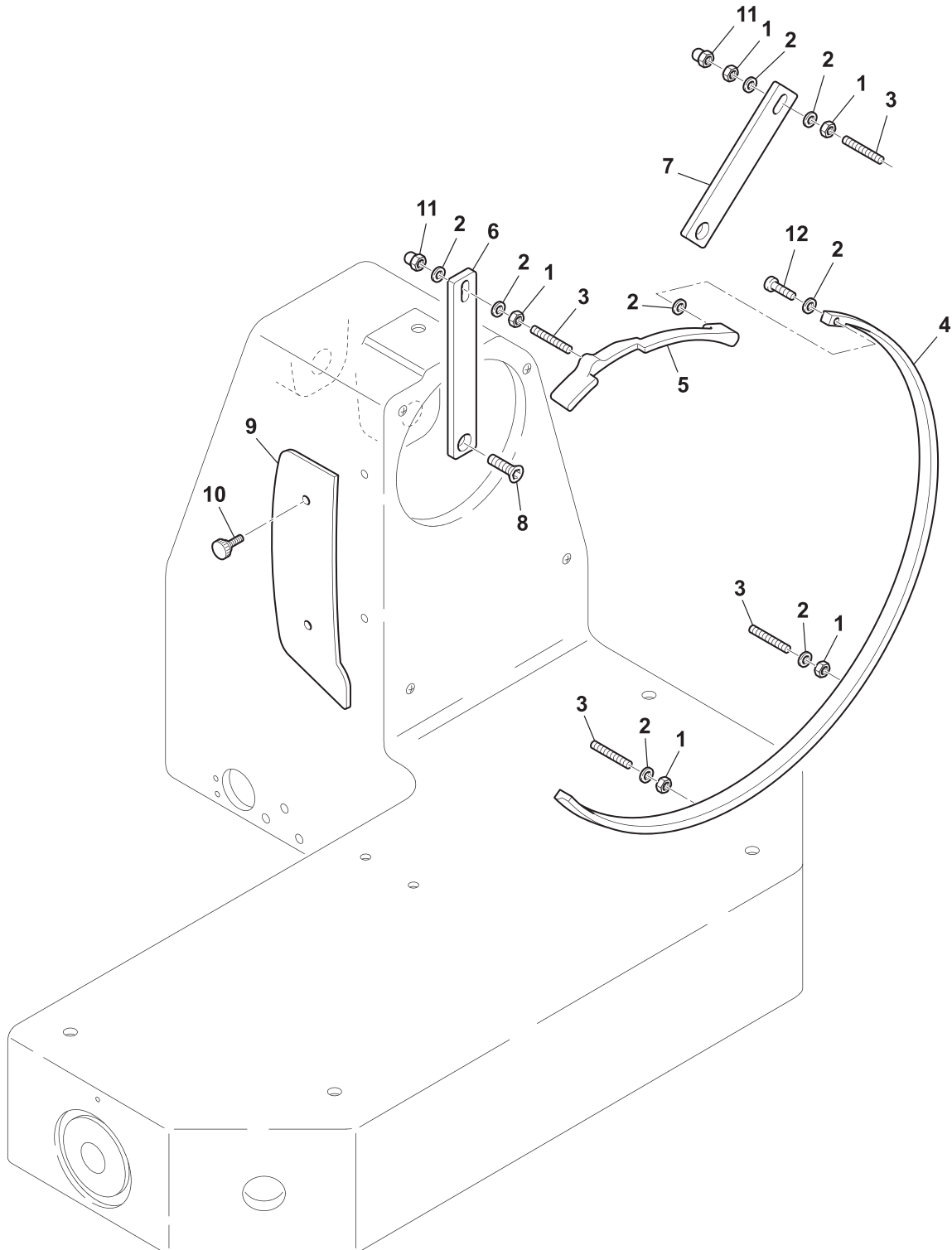
Product Grip



Parts Breakdown

Model MS-IT-0350 39583

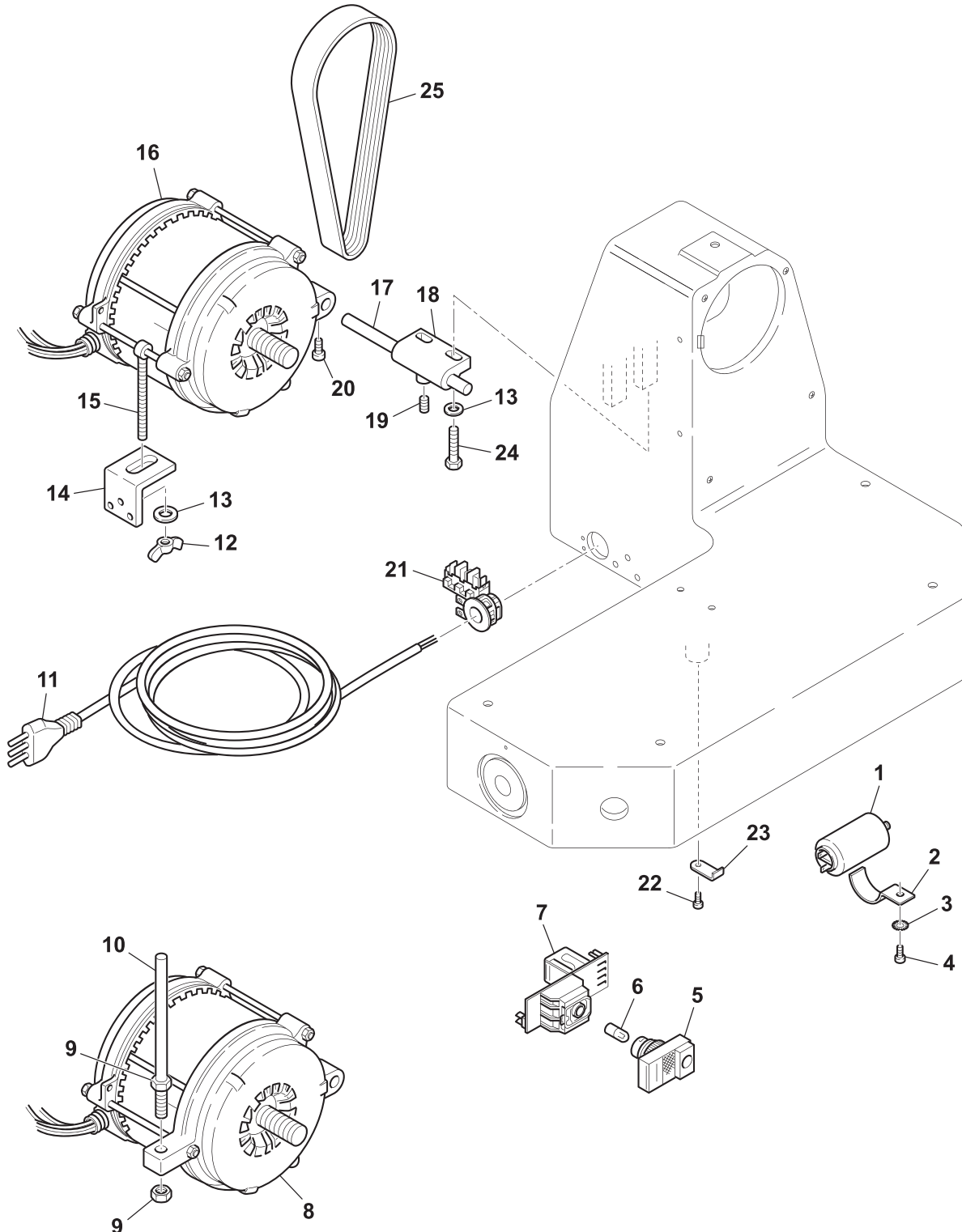
Blade Guard



Parts Breakdown

Model MS-IT-0350 39583

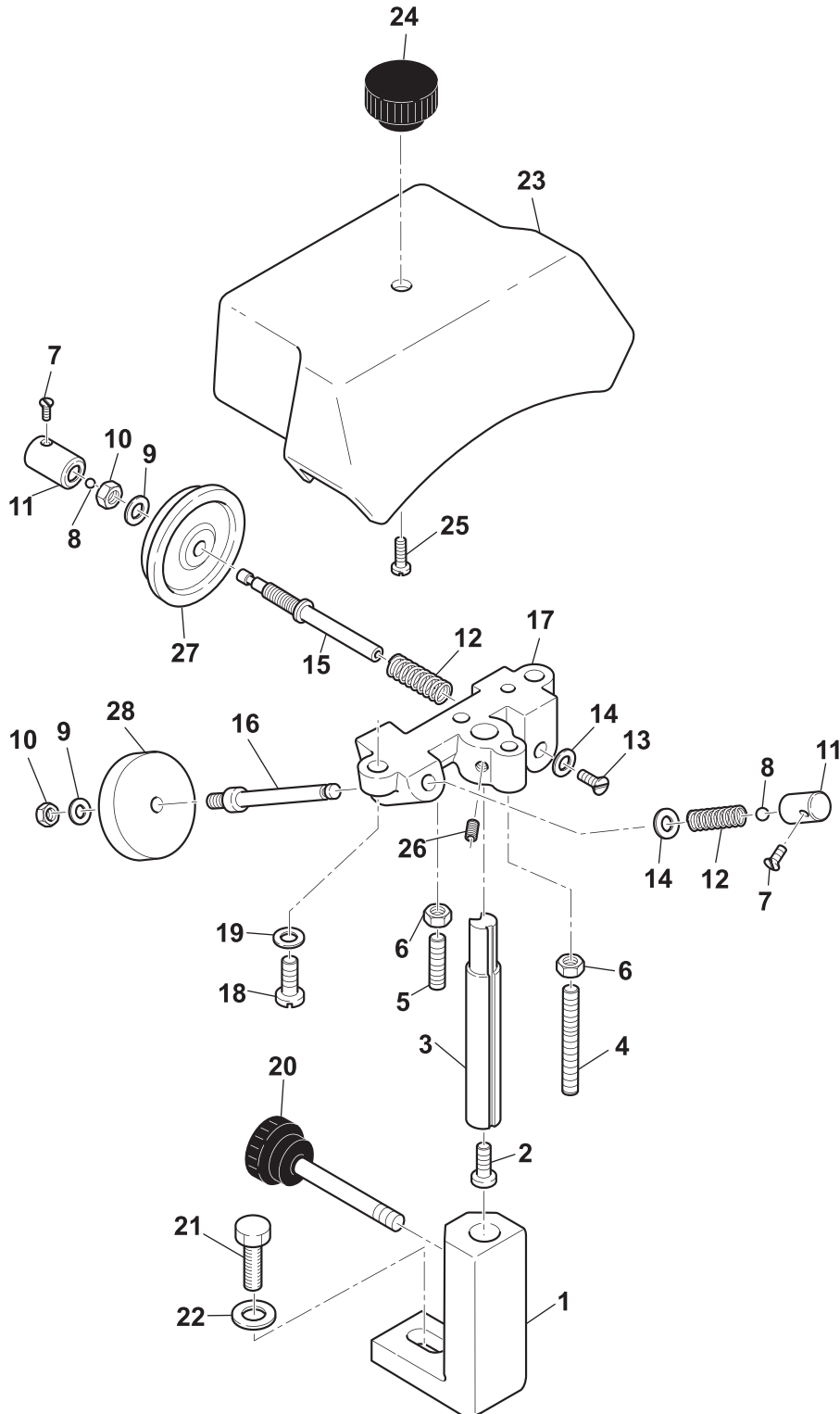
Electrical Components



Parts Breakdown

Model MS-IT-0350 39583

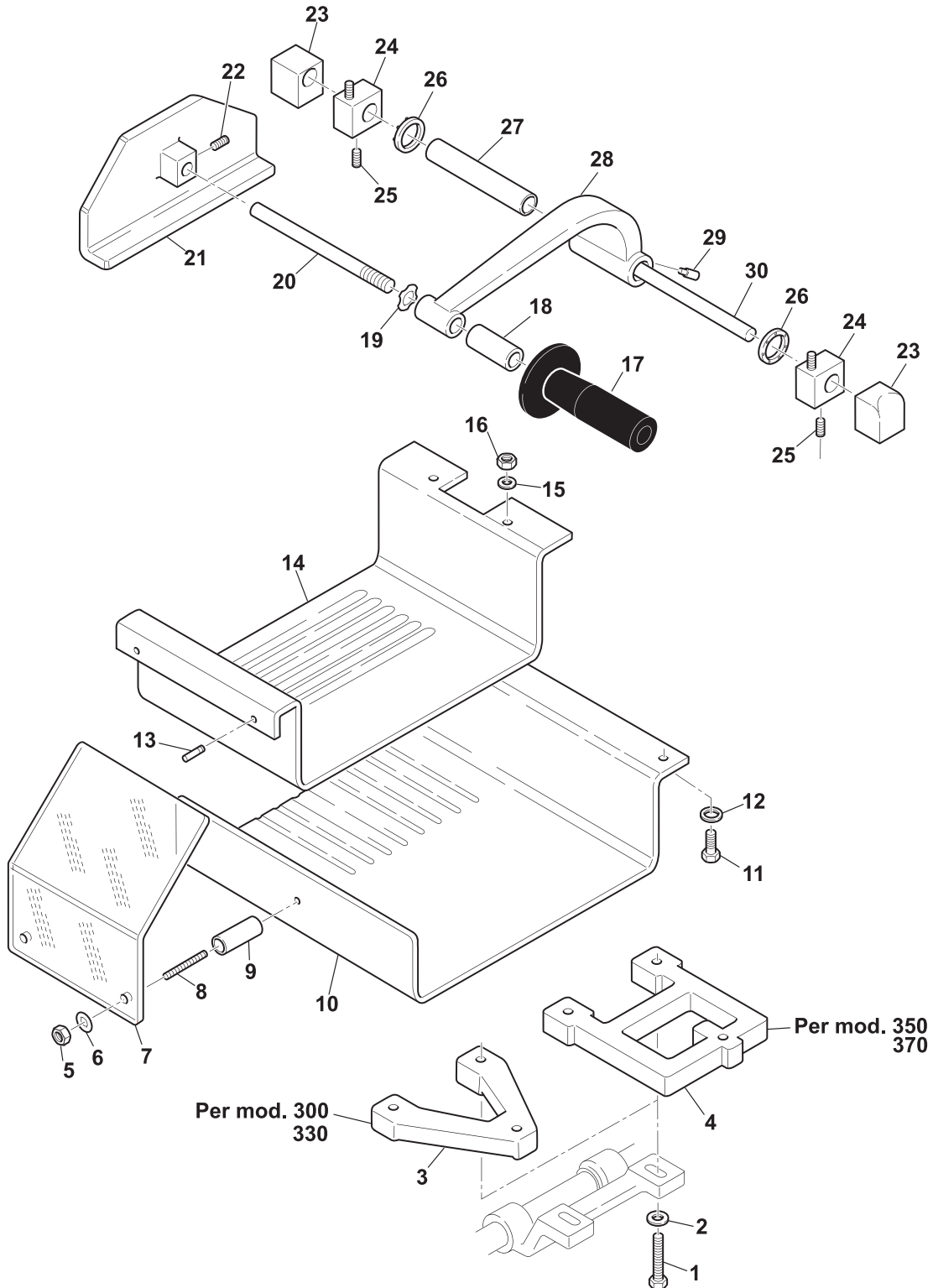
Sharpening Assembly



Parts Breakdown

Model MS-IT-0350 39583

Product Holder Assembly



Parts Breakdown

Model **MS-IT-0350** 39583

Base

Item No.	Description	Position	Item No.	Description	Position	Item No.	Description	Position
32325	Housing for 39583	1	AG241	Complete Fork for 39583	12	32344	Washer 8 for 39583	22
32326	Guide Plate for 39583	2	AG242	Group Plate for 39583	13	32345	Copper Rivet for 39583	23
32327	Guide Plate Support for 39583	3	32337	Set Screw 8x10 T C for 39583	14	32346	Set Screw - Capped for 39583	24
32328	Guide Plate Shaft for 39583	4	32338	Bolt 5x20 for 39583	15	32347	Nut 8 for 39583	25
AG239	Ceppetto for 39583	5	32339	Nut 5 for 39583	16	32348	Set Screw 6x8 TP for 39583	26
AG240	Graduated Knob for 39583	6 - 8, 21	32340	Screw TPSV 5x10 for 39583	17	32349	Washer 5 for 39583	27
32331	Index Knob Bushing for 39583	9	32341	Screw TC 5x10 for 39583	18	32350	Screw TE 6x12 for 39583	28
32332	Wavy Washer for 39583	10	32342	Screw TE 6x12 for 39583	19	32351	Washer 6 for 39583	29
32333	Cam for 39583	11	32343	Tapping Screw 2.9x12 for 39583	20	32352	Screw TE 8x40 for 39583	30

Guide

Item No.	Description	Position	Item No.	Description	Position	Item No.	Description	Position
AG243	Round Bar for 39583	1	32369	Slide Bar Spring for 39583	17	32385	Set Screw 5x8 T C for 39583	33
AG244	Round Bar Cover for 39583	2	32370	Nut 6 for 39583	18	AG252	Screw TE for 39583	34
32355	Bottom Plate for 39583	3	32371	Washer 6 for 39583	19	32387	Rubber Washer 15 for 39583	35
32356	Top Plate for 39583	4	32372	Set Screw 6x30 for 39583	20	32388	Carriage Plate Spring for 39583	36
32357	Carriage Handle for 39583	5	32373	Screw TE 8x40 for 39583	21	32389	Washer 5 for 39583	37
AG245	Strap FE for 39583	6	32374	Washer 8 for 39583	22	32390	Acorn Cap for 39583	38
AG246	Shoe for 39583	7	32375	Nut 8 for 39583	23	32391	Set Screw 5x20 TP for 39583	39
32360	Carriage Support for 39583	8	32376	Washer 8 for 39583	24	32392	Set Screw PVC for 39583	40
AG247	Square Bar for 39583	9	32377	Bushing for 39583	25	32393	Screw TE 8x20 for 39583	41
AG248	Underplate Pipette for 39583	10	32378	Set Screw 6x12 for 39583	26	32394	Screw TPSV 4x10 for 39583	42
AG249	Plate Supp Bearing for 39583	11	AG250	Bearing 626 for 39583	27	32395	Flat Latch for 39583	43
32364	Carriage Plate Rod for 39583	12	AG251	Bearing 608 for 39583	28	32396	Threaded Stud 8 for 39583	44
32365	Slide Bar Cap for 39583	13	32381	Bearing Pin 8 for 39583	29	32397	Nut 6 for 39583	45
32366	Rail Support for 39583	14	32382	Screw TPSV 5x10 for 39583	30	32398	Screw TC 4x5 for 39583	46
32367	Slide Bar Support for 39583	15	32383	Screw TE 8x20 for 39583	31			
32368	Spacer Plate for 39583	16	32384	Screw TE 8x25 for 39583	32			

Parts Breakdown

Model **MS-IT-0350** 39583

Blade

Item No.	Description	Position	Item No.	Description	Position	Item No.	Description	Position
17858	Blade Shield for 39583	1	AG255	Pulley for 39583	10	32417	Tie Rod Spacer for 39583	20
69750	350 Blade 57 Bore 280 Cover Blade 100CR6 W1.2067 for 39583	2	32409	Bearing Spacer for 39583	11	32418	Thumb Screw for 39583	21
32401	Aluminum Plate for 39583	3	AG256	Bearing 6004 2RS for 39583	12	32419	Washer for 39583	22
32402	Bottom Cover for 39583	4	32411	Clip for 39583	14	32420	Plate Stop for 39583	23
32403	Foot for 39583	5	32412	Clip for 39583	15	32421	Support Rail for 39583	24
AG253	Knob All. Zigr Blade Cover for 39583	6	32413	Set Screw for 39583	16	32422	Washer 8 for 39583	25
32405	Washer 4 for 39583	7	32414	Set Screw 6x8 TC for 39583	17	32423	Screw TE 8x20 for 39583	26
32406	Set Screw 5x8 TP for 39583	8	32415	Set Screw PVC for 39583	18	32424	Tapping Screw for 39583	27
AG254	Spindle Pin for 39583	9	32194	Tie Rod for 39583	19			

Product Grip

Item No.	Description	Position	Item No.	Description	Position	Item No.	Description	Position
32425	Support for Pusher Arm for 39583	1	32437	Spring 9x15 for 39583	13	32449	Washer 4x25 for 39583	25
32426	Washer 8 for 39583	2	AG258	Bead for 39583	14	AG261	Bearing 608 ZZ for 39583	26
32427	Screw TE 8x20 for 39583	3	32439	Presser Brake for 39583	15	32451	Bearing Spindle for 39583	27
32428	Set Screw 5x20 for 39583	4	AG259	Plexiglass Paradite for 39583	16	32452	Pusher Arm for 39583	28
32429	Set Screw 5x16 for 39583	5	32441	Meat Grip Handle for 39583	17	32453	PVC Washer 15x25 for 39583	29
32430	Set Screw 6x8 TC for 39583	6	32442	Screw TPSV 4x10 for 39583	18	32454	Presser Spacer for 39583	30
32431	Rod Brake for 39583	7	32443	Screw TPSV 45x12 for 39583	19	32455	Presser Plate for 39583	31
32432	Set Screw 6x19 for 39583	8	32444	Presser Handle Bracket for 39583	20	32456	Set Screw 6x6 TC for 39583	32
32433	Spring 3.5x19 for 39583	9	AG260	Astina C/Seiger SBL BR PRES for 39583	21	AG262	Meat Presser Rod for 39583	33
32434	Spring 13.5x10 for 39583	10	32446	Screw Chrome for 39583	22	32458	Hex Pin 8x31 for 39583	34
32435	Iron Plate for 39583	11	32447	Washer 8 for 39583	23	32459	Locking Nut for 39583	35
AG257	Brake Pin for 39583	12	32448	Screw TPSV 4x10 for 39583	24	AG263	Complete Arm for 39583	

Blade Guard

Item No.	Description	Position	Item No.	Description	Position	Item No.	Description	Position
32461	Nut 5 for 39583	1	32465	Safety Ring Extension for 39583	5	AG267	Parafette for 39583	9
32462	Washer 5 for 39583	2	AG265	Ring Support for 39583	6	32470	Thumb Screw 5 MA for 39583	10
32463	Set Screw 54x30 5x25 for 39583	3	AG266	Ring Support for 39583	7	32471	Acorn Cap for 39583	11
AG264	Ring for 39583	4	32468	Set Screw 6x12 for 39583	8			

Parts Breakdown

Model MS-IT-0350 39583

Electrical Components

Item No.	Description	Position	Item No.	Description	Position	Item No.	Description	Position
AG268	Capacitor 300/8 350/6.3 for 39583	1	32479	Wing Nut for 39583	12	32486	Screw TC 4x10 for 39583	20
32473	Capacitor Bracket for 39583	2	32480	Washer 6 A Wide for 39583	13	32487	Terminal Block for 39583	21
32474	Washer 5 for 39583	3	32481	Motor Bracket for 39583	14	32488	Tapping Screw for 39583	22
32475	Screw 5x10 T C for 39583	4	32482	Adjustment Rod for 39583	15	32489	Stop Plate for 39583	23
32476	Switch - On / Off for 39583	5 - 7	32483	Motor Support Shaft for 39583	17	AG272	Screw TE for 39583	24
AG269	Ventilated Motor for 39583	9 - 11, 16	AG271	Motor Hinge for 39583	18	17855	Belt 350 TB2-598x12 for 39583	25
AG270	Cord for 39583	11	32485	Set Screw 5x8 T C for 39583	19			

Sharpening Assembly

Item No.	Description	Position	Item No.	Description	Position	Item No.	Description	Position
AG273	Pipette for 39583	1	32500	Sharpener Push Button for 39583	11	32510	Screw TE 8x20 for 39583	21
32491	Screw TPSV 6x12 for 39583	2	32501	Spring for 39583	12	32511	Washer 8 for 39583	22
32492	Shaft for Sharpener for 39583	3	32502	Screw TC for 39583	13	AG275	Canopy for 39583	23
32493	Set Screw 5x40 for 39583	4	32503	Washer 3 for 39583	14	32513	Sharpener Cover Knob for 39583	24
32494	Set Screw 5x30 for 39583	5	32504	Sharpener Pin for 39583	15	32514	Screw TC 6x12 for 39583	25
32495	Nut 6 for 39583	6	32505	Sharpener Pin for 39583	16	32515	Set Screw 6x8 TC for 39583	26
32496	Sharpener Screw for 39583	7	AG274	Sharpening Body for 39583	17	18016	Omcan G Stone 50x08x06 for 39583	27
32497	Ball Bearing for 39583	8	32507	Screw TC 4x20 for 39583	18	33545	45x13x6 Sharpening Stone for 39583	28
32498	Washer 6 for 39583	9	32508	Washer 4 for 39583	19			
32499	Nut 6 for 39583	10	32509	Sharpener Tie Rod for 39583	20			

Product Holder Assembly

Item No.	Description	Position	Item No.	Description	Position	Item No.	Description	Position
32517	Screw TE 8x35 for 39583	1	32528	Washer 8 for 39583	12	32538	Set Screw 6x8 TC for 39583	22
32518	Washer 8 for 39583	2	32529	Stud 5 MA for 39583	13	AG281	All Outside Block for 39583	23
32520	Carriage Plate Support H for 39583	4	AG278	Small Tray Plate for 39583	14	AG282	All Inside Block for 39583	24
32521	Nut for 39583	5	32531	Washer 6x18 for 39583	15	32541	Set Screw 6x8 TC for 39583	25
AG276	Washer 6x18 for 39583	6	32532	Nut 6 for 39583	16	32542	Rubber Washer for 39583	26
32523	Carriage Safety Guard for 39583	7	32533	Meat Grip Handle for 39583	17	AG283	Tube x Block TC for 39583	27
32524	Stud 6x50 for 39583	8	AG279	Extension Leg All for 39583	18	32544	Bracket for 39583	28
32525	Spacer for 39583	9	32535	Wavy Washer for 39583	19	32545	Stud PVC for 39583	29
AG277	Large Tray Plate for 39583	10	32536	Stud 12 MA for 39583	20	32546	Presser Rod for 39583	30
32527	Screw TE 8x20 for 39583	11	AG280	Meat Press for 39583	21			