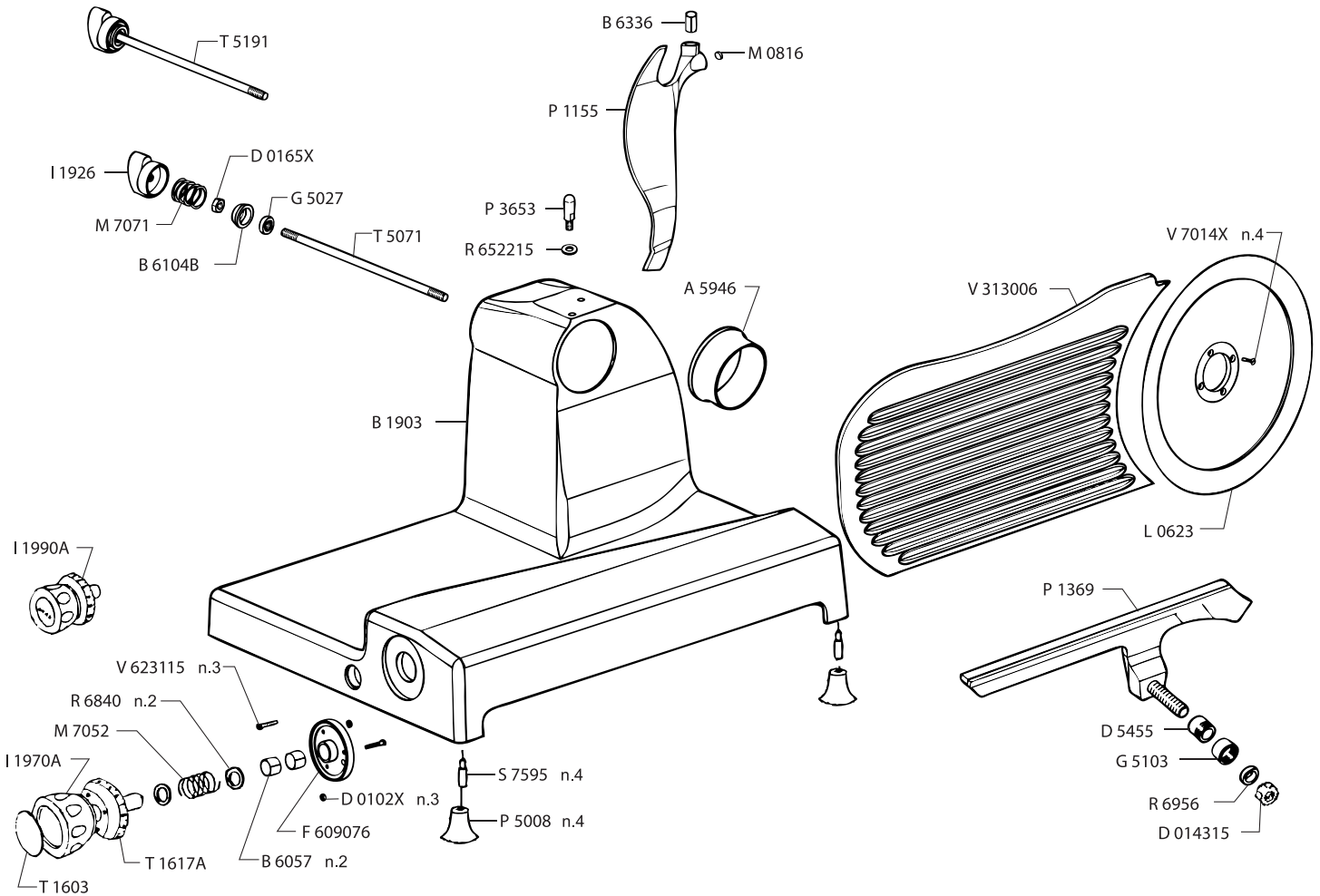


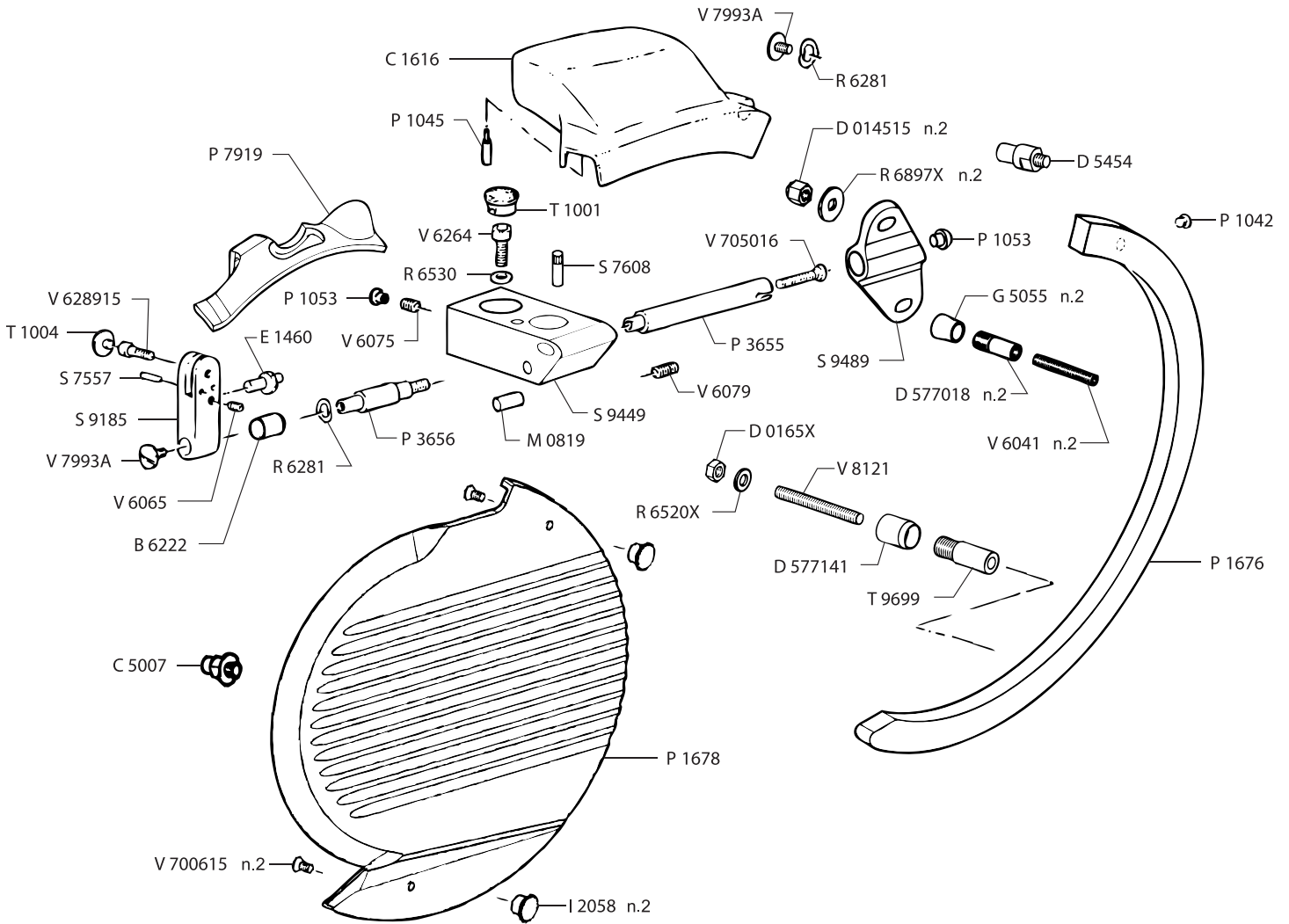
# Parts Breakdown

Model **MS-IT-0350-H** 39631



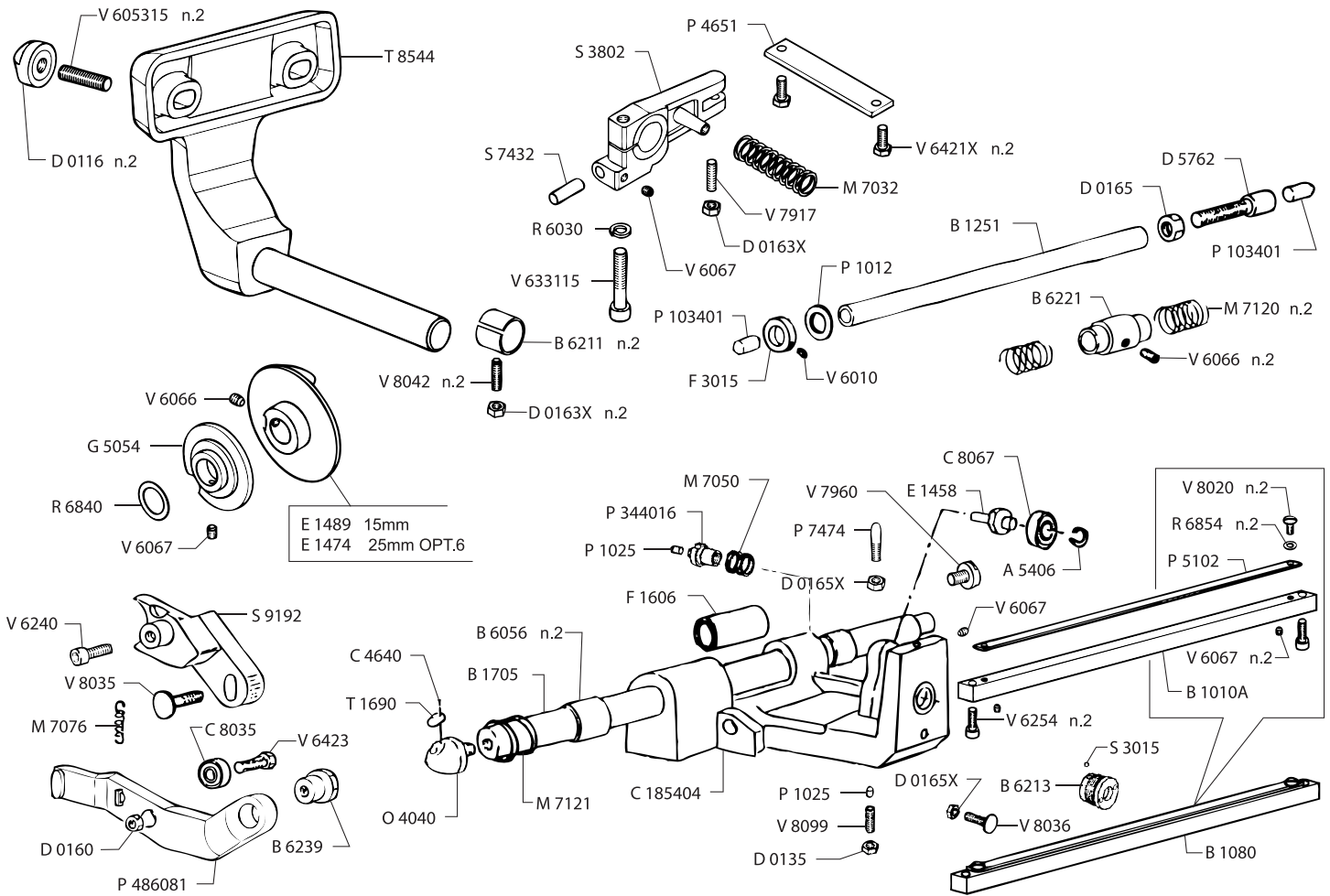
# Parts Breakdown

Model MS-IT-0350-H 39631



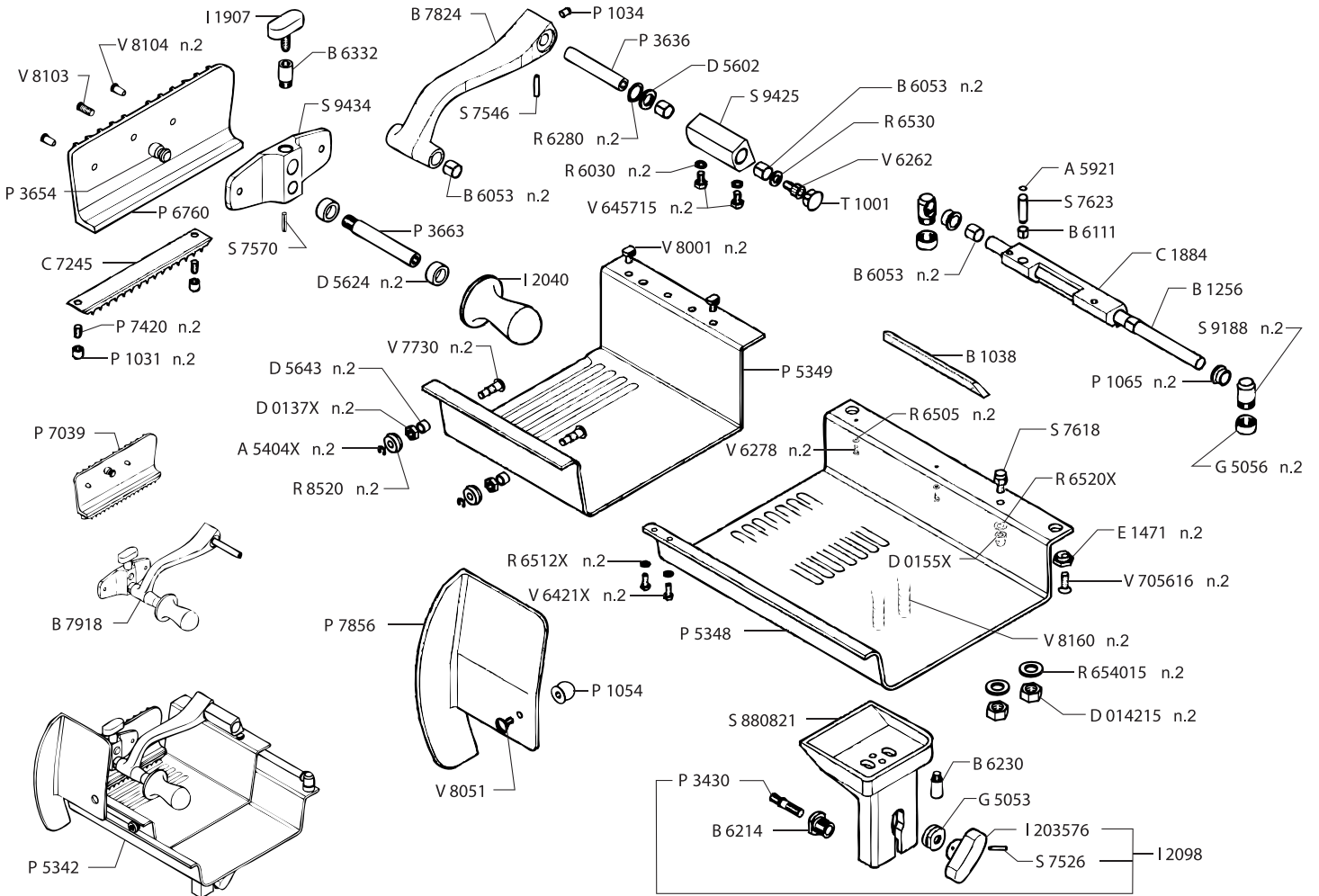
# Parts Breakdown

## Model MS-IT-0350-H 39631



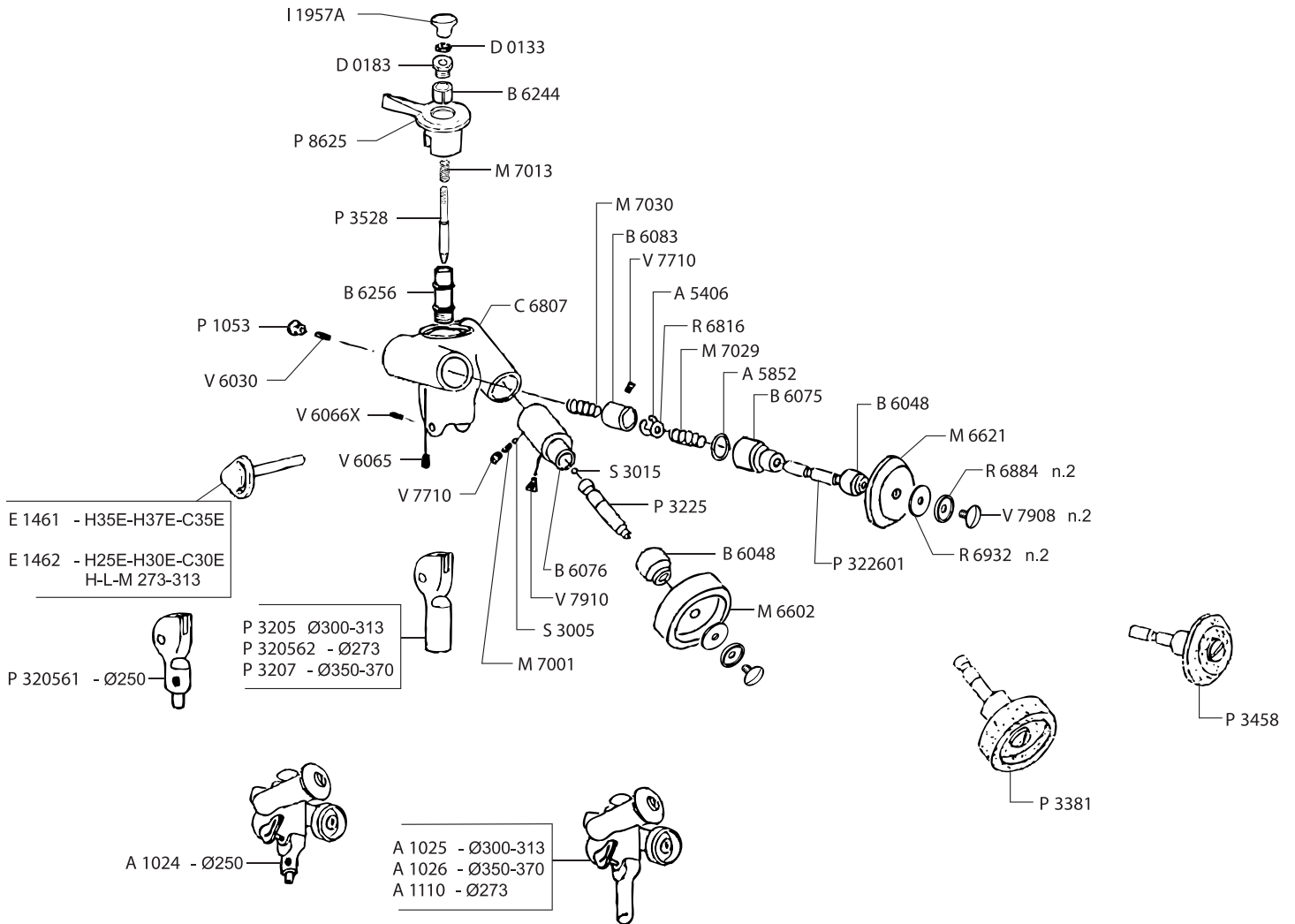
# Parts Breakdown

## Model MS-IT-0350-H 39631



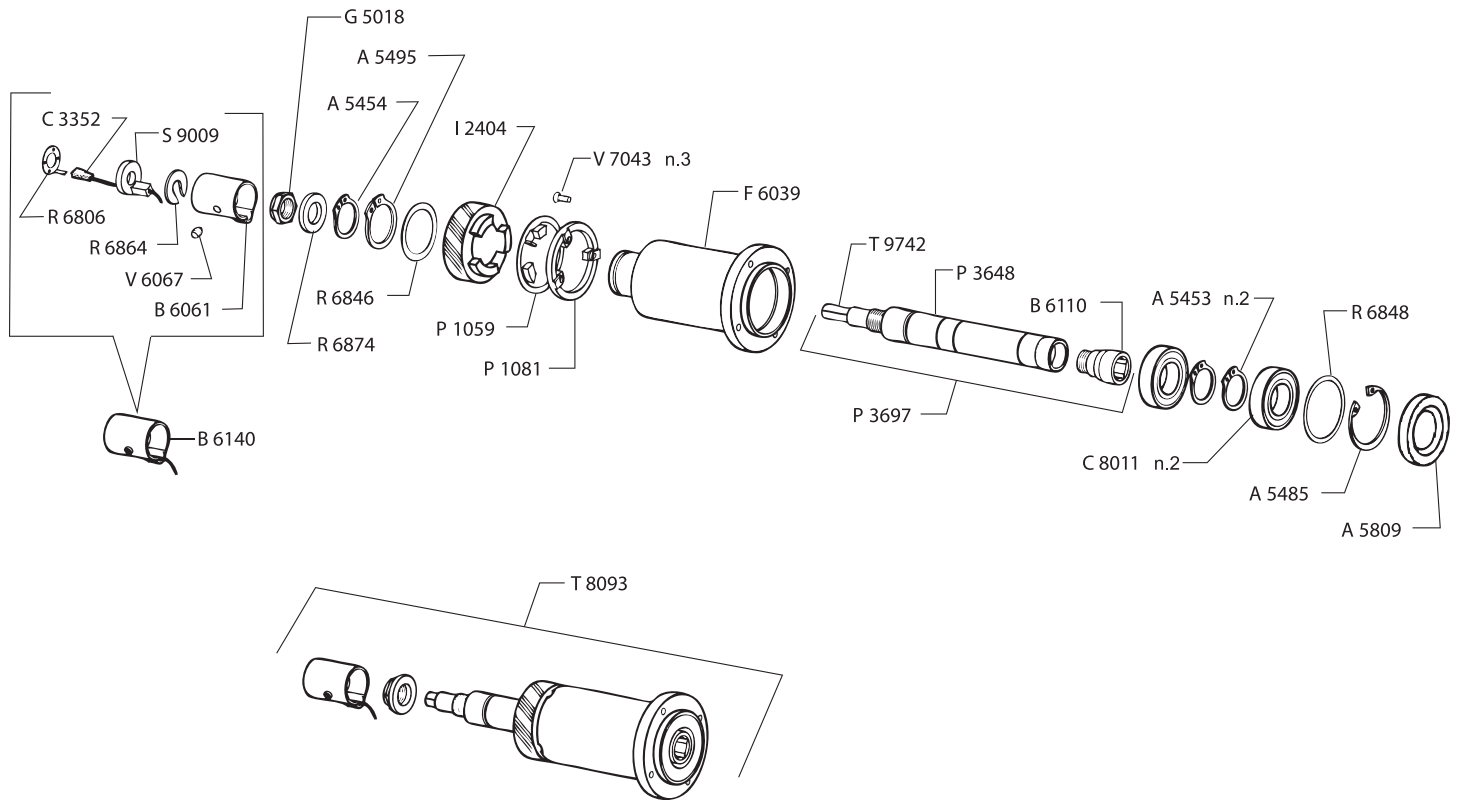
# Parts Breakdown

## Model MS-IT-0350-H 39631



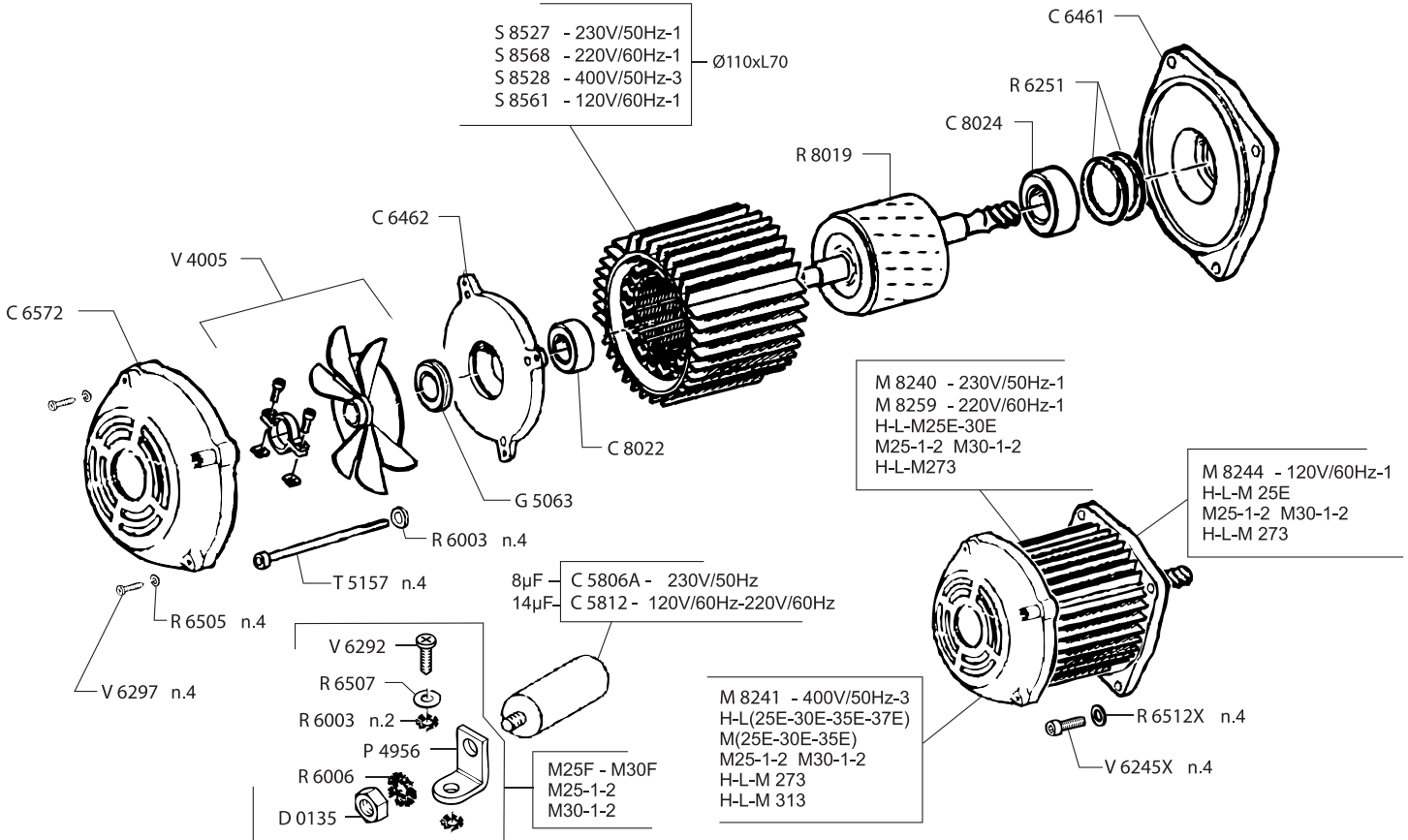
# Parts Breakdown

Model **MS-IT-0350-H** 39631



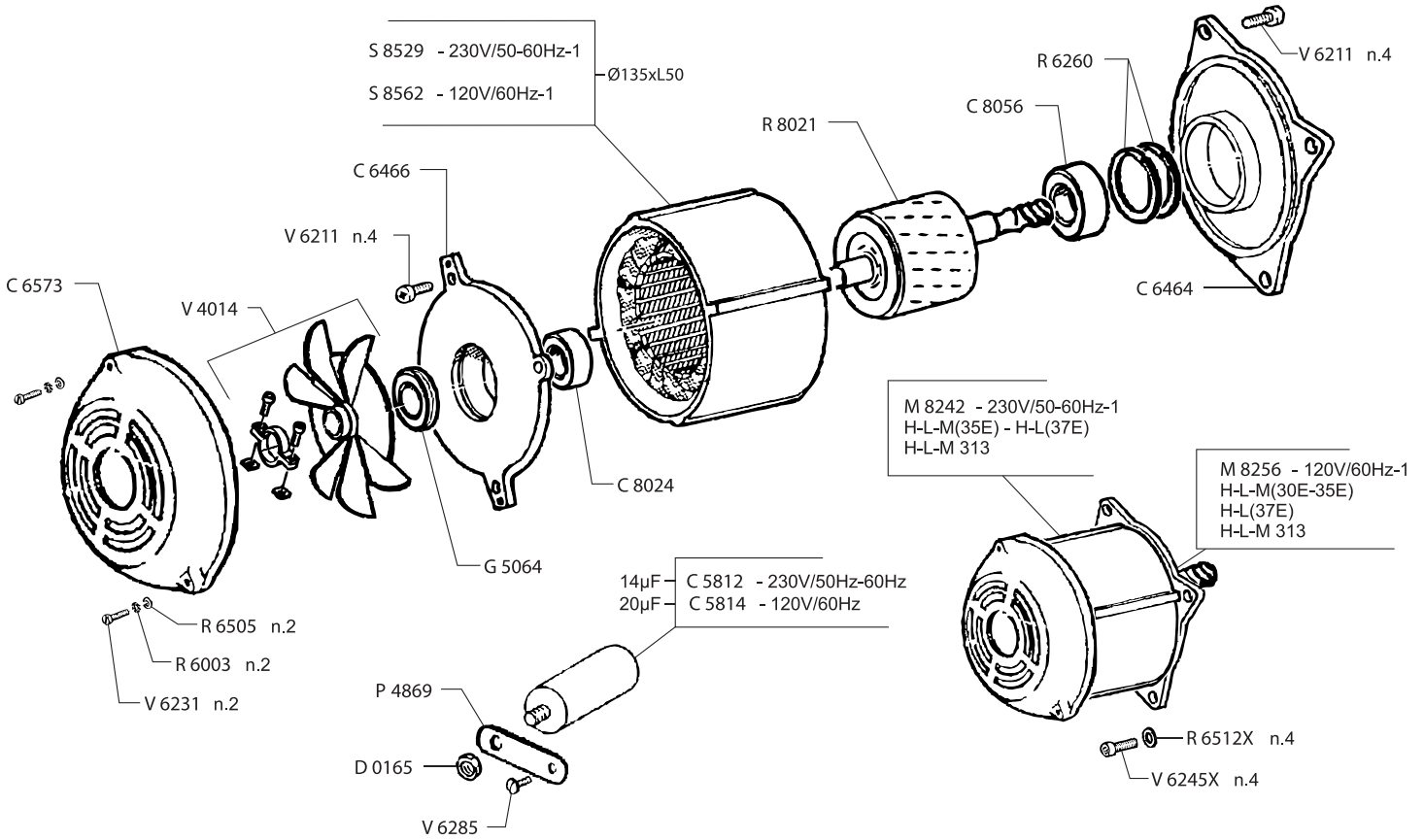
# Parts Breakdown

## Model MS-IT-0350-H 39631



# Parts Breakdown

Model MS-IT-0350-H 39631

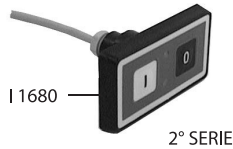
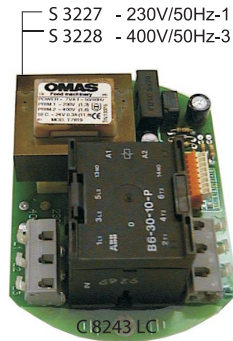
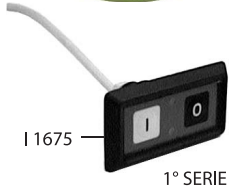
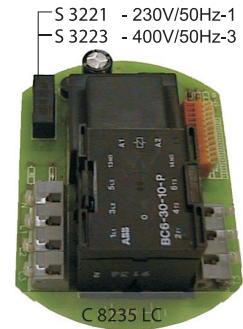
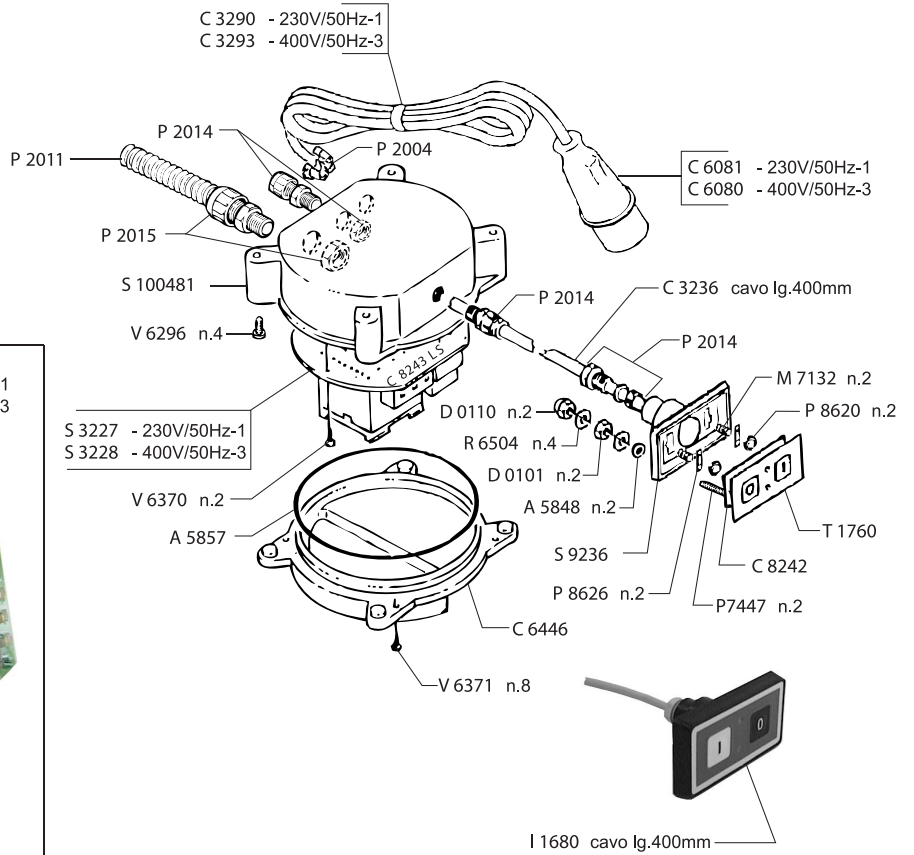


# Parts Breakdown

## Model MS-IT-0350-H 39631

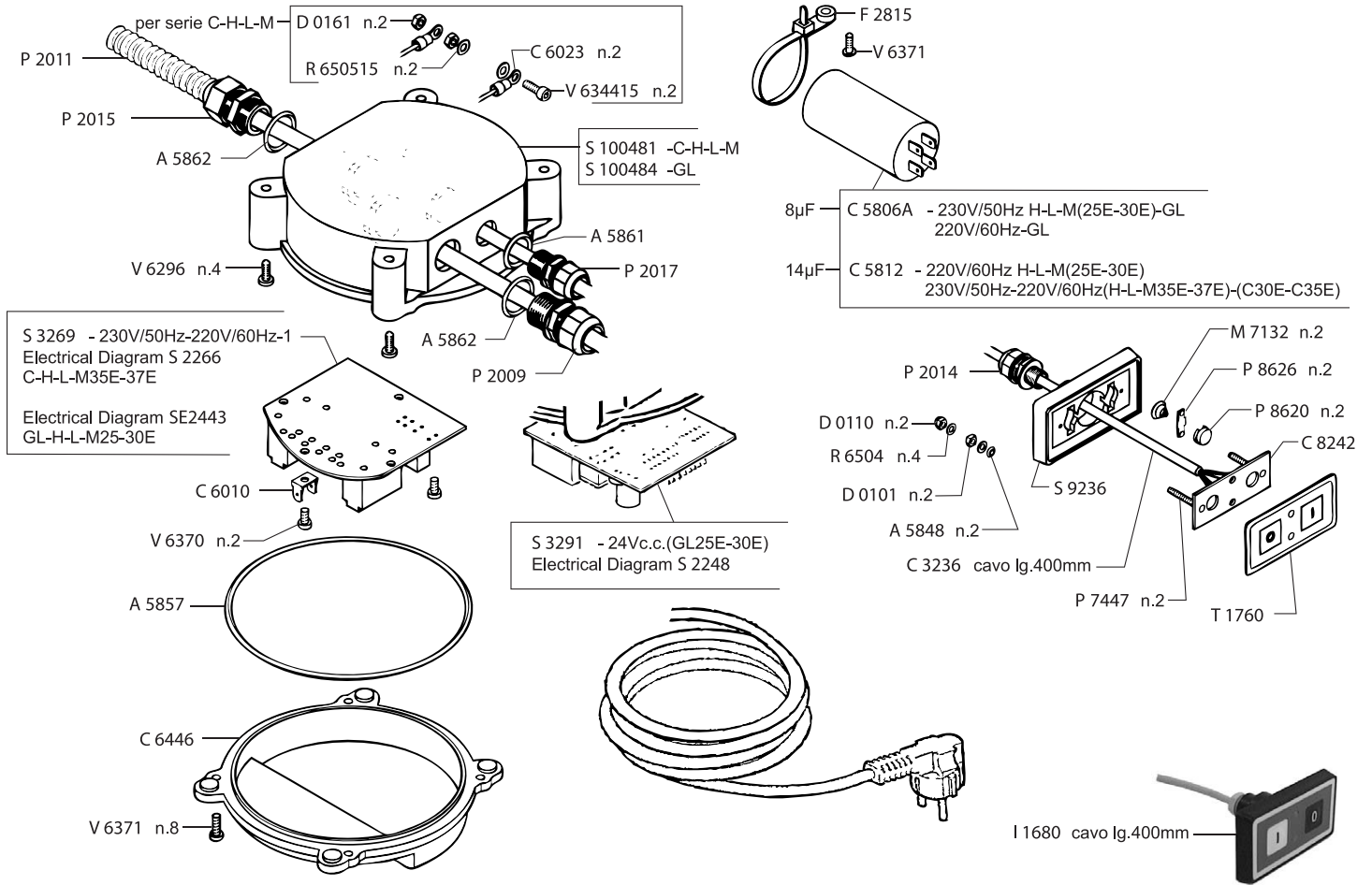
Every series switch pad needs to be always coupled only with its specific series P.C.B.

IT IS BASIC NOT TO USE FIRST SERIES SWITCH PAD WITH THE NEW SECOND SERIES P.C.B. AND VICEVERSA



# Parts Breakdown

## Model MS-IT-0350-H 39631



# Parts Breakdown

## Model MS-IT-0350-H 39631

Item No.	Description	Position	Item No.	Description	Position	Item No.	Description	Position
77583	Sharpener (Support+Stones) for 39631	A1024	78265	Bushing Funnel for 39631	B6110	36615	Back Motor Cover for 39631	C6466
36532	Assy Sharpener for 39631	A1025	77550	Bushing DU 10x12x10 for 39631	B6111	62427	Motor Fan Cover Diam.110 for 39631	C6572
16900	Sharpening Assembly for 39631	A1026	B6140	Bushing Fastener Guard Knife for 39631	B6140	36617	Motor Fan Cover for 39631	C6573
AK402	Assy Sharpener for 39631	A1110	17312	Bushing 22x25x20 for 39631	B6211	19534	Housing Sharpener H for 39631	C6807
36536	Ring El.Benzing 6 Stainless Steel for 39631	A5404X	36563	Carriage Bushing for 39631	B6213	19537	Rack 13657 for 39631	C7245
16902	Ring El.Benzing 8 for 39631	A5406	36564	Bushing for Carriage Support lg.23mm for 39631	B6214	17334	Bearing 2Z-6205 25x52x15 for 39631	C8011
17281	Ring El.Seeger Ext.25 for 39631	A5453	36566	Bushing to Hold Carriage Springs for 39631	B6221	17335	Bear.2RS-6203 17x40x12 for 39631	C8022
77585	Ring El.Seeger Est.25 Ser.Heavy for 39631	A5454	60449	Meat Tray Support Bushing for 39631	B6230	16925	Bearing 2RS-6204 20x47x14 for 39631	C8024
19484	Ring 52 for 39631	A5485	36569	Fixing Lever Bushing for 39631	B6239	36630	Bearing 5x16x6.5 for 39631	C8035
19612	Ring 33 for 39631	A5495	17313	Bushing DU 14x15x16 for 39631	B6244	36631	Bearing 2RS-6205 25x52x15 for 39631	C8056
17283	Oil Seal 25x52x10 for 39631	A5809	23646	Sharpener Pivot Ferrule for 39631	B6256	16926	Bearing 2RS-6000 (10x26x8) for 39631	C8067
77601	Oil Seal OR 2010 for 39631	A5848	77552	Bushing for Plate for 39631	B6332	60423	Touch Pad Gasket for 39631	C8242
17287	O-Ring 123 17.86x2.62 for 39631	A5852	60443	Pusher Arm for 39631	B7824	19637	Nut M3 for 39631	D0101
77602	O-Ring OR 4500 for 39631	A5857	60441	Meat Tray Pusher Handle Assembly for 39631	B7918	77504	Stainless Steel Nut U5587 M4 for 39631	D0102X
77603	O-Ring 2037 9.25x1.78 for 39631	A5861	77518	Sharpener Cover for 39631	C1616	77612	Self-Locking Nut M3 UNI7473 for 39631	D0110
77604	O-Ring 2056 14x1.78 for 39631	A5862	36591	Carriage Support for 39631	C185404	77535	Special Nut M10 for 39631	D0116
77547	Pin Stop Ring for 39631	A5921	60444	Meat Tray Handle Sliding Shaft for 39631	C1884	16928	Nut U5589 M6 for 39631	D0133
77502	Shaft Sealing Ring Ø98x42 for 39631	A5946	77605	Assy Wiring 6 Poles LG.400 for 39631	C3236	19639	Nut M8 for 39631	D0135
17290	Carriage Bar for 39631	B1010A	78287	Power Cord 230/50 for 39631	C3290	36638	Nut U5589 M10 Stainless Steel for 39631	D0137X
77548	Tray Rod for 39631	B1038	79105	Cavo (Rotoli) 450/750V 4x1 for 39631	C3293	77508	Stainless Steel Nut U5588 M12 for 39631	D014215
60431	Complete Carriage Rail Assembly for 39631	B1080	79263	Contact Pin for 39631	C3352	60438	Meat Carriage Guard Holder Screw for 39631	D014315
36548	Shock Absorber Bar 12x170 for 39631	B1251	36601	Rivet 1.9x5 for 39631	C4640	66365	Domed Nut DIN 917 M8 Stainless Steel for 39631	D014515
79618	Sliding Bar for Carriage for 39631	B1256	36607	Blade Cover Bolt Keeper 14x14 M for 39631	C5007	19642	Nut M8 for 39631	D0155X
60430	Carriage Shaft for 39631	B1705	36608	Capacitor 8 MF 400V for 39631	C5806A	36643	Nut U5588 M5 for 39631	D0160
60432	Body Casing for 39631	B1903	16913	Capacitor 14 MF 400V for 39631	C5812	77613	Normal Nut U5588 M4 for 39631	D0161
16904	Bushing Sharpener H-L-C for 39631	B6048	36609	Capacitor 20 µF 250V for 39631	C5814	36646	Nut U5588 M6 Stainless Steel for 39631	D0163X
16905	Bushing DU 16x18x15 for 39631	B6053	74403	Connector Faston 2 Poles Male for 39631	C6010	36647	Nut U5588 M8 for 39631	D0165
AK403	Bushing DU 25x28x20 for 39631	B6056	77607	Connector BM00219 for 39631	C6023	36648	Nut U5588 M8 for 39631	D0165X
17305	Bushing DU 18x20x15 for 39631	B6057	77608	Three-Phase CE Connector 3x16A for 39631	C6080	36651	Sharpener Support Nut for 39631	D0183
19514	Bushing Guard A310 for 39631	B6061	77609	Connettore Spina Monofase 2x16A CEE for 39631	C6081	79264	Blade Support Screw for 39631	D5454
16906	Bush Sharpening for 39631	B6075	77610	Box Cover for P.C. Board for 39631	C6446	60435	Meat Carriage Guard Holder Spacer for 39631	D5455
16907	Bush. Sharpening for 39631	B6076	60461	Motor Frontplate for 39631	C6461	19648	Knife Spacer for 39631	D5602
17307	Bushing Sharp. for 39631	B6083	60455	Motor Backplate for 39631	C6462	77556	Right Spacer INT90 for 39631	D5624
19630	Bushing Fastener for 39631	B6104B	36614	Cover Anter.Motor H (Diam.135) for 39631	C6464	17341	Spacer D.10.5x14 H.9 for 39631	D5643

# Parts Breakdown

## Model MS-IT-0350-H 39631

Item No.	Description	Position	Item No.	Description	Position	Item No.	Description	Position
36661	Carriage Shock Absorber Spacer for 39631	D5762	14787	Grinding Sharpening Stone 48x15x14.3 for 39631	M6602	77616	Strain Relief for 39631	P2004
36665	Locknut Spacer for 39631	D577018	36739	Grinding Stone 45x11x6 for 39631	M6621	77617	Strain Relief for 39631	P2009
77519	Spacer Eccentrico for 39631	D577141	36741	Spring 2.9x4x12 Stainless Steel for 39631	M7001	60421	Electrical Conduit for 39631	P2011
17345	Cam Bearing 13655 for 39631	E1458	17377	Spring 8.5x1.0x25 Stainless Steel for 39631	M7013	36778	Wire-Press for 39631	P2014
36677	Cam Pin for 39631	E1460	17379	Spring 11.9x0.7x27 Stainless Steel for 39631	M7029	36779	Core-Hitch+Nut for 39631	P2015
77590	Cam for Sharpener for 39631	E1461	17380	Spring 13.4x1.3x30 Stainless Steel for 39631	M7030	36780	Wire Pusher for 39631	P2017
60450	Cam for Sharpener for 39631	E1462	19776	Spring 14x1.5x60 for 39631	M7032	19811	Pin Sharpener for 39631	P3205
77558	Eccentric for 39631	E1471	19782	Spring 19.5x1.5x16.7 for 39631	M7050	62429	Pivot Sharpener for 39631	P320561
69701	Black Plastic Cam 25mm (New Style) for 39631	E1474	17381	Spring 22 5x1 8x18 for 39631	M7052	AK405	Pivot Sharpener for 39631	P320562
79267	Cam Eccentric Stroke mm.16 for 39631	E1489	19250	Spring 24.8x1.8x15 for 39631	M7071	17416	Pin Sharpener for 39631	P3207
77614	Nylon Cable Tie (Diam.45x200) for 39631	F2815	36746	Spring 7x0.8x23 Cam for 39631	M7076	16959	Pin Grinding for 39631	P3225
36682	Unhook Friction Clasp 12x22x8 for 39631	F3015	19248	Spring 15.6x20x2.2 for 39631	M7120	17419	Pin Truing for 39631	P322601
77591	Suppor Blade Flange for 39631	F6039	36749	Carriage Bar Spring 25-28-1.5 for 39631	M7121	17427	Assy Grinding Stone & Pin for 39631	P3381
17349	Handle Flange for 39631	F609076	78283	Screw for 39631	M7132	36793	Pin.Handle for 39631	P3430
17351	Locknut for 39631	G5018	62424	Motor 230-50 H for 39631	M8240	62428	Lock Plate Pivot H for 39631	P344016
36689	Stainless Steel Locknut M8 for 39631	G5027	60459	Motor El.400-50 H (Tubo Alett.110) for 39631	M8241	17426	Assy Honing Stone Pivot for 39631	P3458
36691	Ring for Bushing for 39631	G5053	62425	Motor 240/50/1 for 39631	M8242	23645	Sharpener Pivot for 39631	P3528
36692	Ring for Cam for 39631	G5054	60464	Motor 120-60 (Tubo Alet.110) for 39631	M8244	77564	Pin Support Meat Grip Arm H for 39631	P3636
36695	Ring Support Cap for 39631	G5055	17383	Motor (New Style) for 39631	M8256	79272	Knife Shaft for 39631	P3648
77559	Plate Bar Supp. Ring 250/273 for 39631	G5056	62411	220/60 Motor for 39631	M8259	77511	Pin Deflector for 39631	P3653
62422	Index Locknut M4 2 P1 for 39631	G5063	19791	Oiler Oil Cap with Screw for 39631	O4040	77565	Pivot Pusher for 39631	P3654
36697	Logging Lock Nut for 39631	G5064	17388	R.Shock Absorb.12x19x2 for 39631	P1012	77523	Knife Cover Support Pin for 39631	P3655
60436	Meat Carriage Guard Holder Bushing for 39631	G5103	36760	Pin Tray Shock-Absorber for 39631	P1025	77524	Pin for Protec.Support for 39631	P3656
77615	Assy P.C.B. for 39631	I1675	19796	Plastic Shock for 39631	P1031	77566	Pivot Pusher for 39631	P3663
17352	Touch Pad - Start/Stop Push Button for 39631	I1680	17392	Pl.Shock Absorb.8.5x20 for 39631	P1034	77594	Assy Driving Pivot for T8093 for 39631	P3697
19580	Handle 16646 for 39631	I1907	36761	Shock Absorber for 39631	P103401	19832	Flat Bar for 39631	P4651
17356	Fastener Handle for 39631	I1926	19797	Nylon Shock 8.5x8 for 39631	P1042	77537	Ecc. Locking Plate for 39631	P486081
19587	Sharpener Knob for 39631	I1957A	19798	Plastic Shock for 39631	P1045	60469	Motor Straight Bracket for 39631	P4869
36705	Adjustment Knob for 39631	I1970A	36762	Rubber Plug for 39631	P1053	60458	Motor L-Bracket for 39631	P4956
36708	Assy Index Knob for 39631	I1990A	77562	Shock Absorber for 39631	P1054	16961	Foot for 39631	P5008
18220	Knob - Handling for 39631	I203576	16955	Shock Absorber for 39631	P1059	65632	Sliding Bearing Flat for 39631	P5102
17363	End Grip Handle for 39631	I2040	77563	Shock Absorber for 39631	P1065	60442	Complete Meat Tray/Pusher Assembly for 39631	P5342
36714	Blade Cover Handling for 39631	I2058	17395	Shock Absorber for 39631	P1081	60446	Meat Tray Slider Bottom Plate for 39631	P5348
36717	Knob Assy for 39631	I2098	AK404	Deflector for 39631	P1155	60445	Meat Tray Slider Top Plate for 39631	P5349
13599	Blade 350 x 57 x 4 x 280 for 39631	L0623	60434	Meat Carriage Guard Holder for 39631	P1369	60439	Meat Tray Pusher Plate for 39631	P6760
79268	Magnete MFD 020 004 010 for 39631	M0816	60427	Blade Guard for 39631	P1676	19655	Meat Grip Stud H for 39631	P7420
77520	Magnet Ø8 x 25 for 39631	M0819	60425	Blade Cover for 39631	P1678	60424	Touch Pad Screw for 39631	P7447

# Parts Breakdown

## Model MS-IT-0350-H 39631

Item No.	Description	Position	Item No.	Description	Position	Item No.	Description	Position
77539	Stud Plate M8x25x35 for 39631	P7474	78261	Rotor (A3109 P2521) Stator H.50 for 39631	R8021	77574	Hand Grip Support for 39631	S9434
19850	Protection for 39631	P7856	16973	Plate Wheel D.25x9.5 for 39631	R8520	79619	Sharpener Holder for 39631	S9449
77525	Mobile Protection for 39631	P7919	77620	Control Box for I1680 P.C.B. for 39631	S100481	77528	Ext.Knife Protect.Support for 39631	S9489
78282	Lock Washer for 39631	P8620	77621	Electr. Equipment Box for 39631	S100484	19877	Rubber Cap for 39631	T1001
24030	Sharpener Operating Handle for 39631	P8625	19680	Ball 3 17 for 39631	S3005	36981	Rubber Cap for 39631	T1004
78284	Bracket for 39631	P8626	17465	Ball 4.76 for 39631	S3015	19879	Label for 39631	T1603
19657	Washer 4 for 39631	R6003	77622	P.C.B. 230-50 for 39631	S3221	36985	Label Plate for 39631	T1617A
19659	Washer 8 for 39631	R6006	77623	Scheda Elettrica 400-50 for 39631	S3223	19883	Label Oil for 39631	T1690
19661	Washer 8 for 39631	R6030	77624	P.C. Board 230-50 H for 39631	S3227	77628	Switch Overlay for 39631	T1760
78258	Washer 30.5x46.5x0.6 for 39631	R6251	77625	P.C.B. 230-24V/50 for 39631	S3228	62438	Blade Cover Fastener for 39631	T5071
19665	Washer for 39631	R6260	77626	P.C.B. 230V/50Hz for 39631	S3269	60456	Motor Fastener for 39631	T5157
19666	Washer for 39631	R6280	77627	P.C.B. 24V C.C.GL for 39631	S3291	42974	Tie Rod for 39631	T5191
19667	Washer 12x17x2 for 39631	R6281	77541	Index Arm for 39631	S3802	79280	Knife Shaft Assy for 39631	T8093
36880	Washer U6592 3 for 39631	R6504	77542	Cylindrical Pin U1707 8x35 Stainless Steel for 39631	S7432	60429	Meat Tray Support for 39631	T8544
17455	Washer U6592 4 for 39631	R6505	36920	Pin 4x25 for 39631	S7526	62439	Blade Support Shaft for 39631	T9699
77618	Washer U6592 4 Stainless Steel for 39631	R650515	36924	Pin M.E.U6875 6x30 for 39631	S7546	79283	Shaft Pin for 39631	T9742
36881	Washer U6593 5 (5.5x15x1.2) for 39631	R6507	36926	Pin U7586 3x18 for 39631	S7557	60433	Meat Carriage Guard for 39631	V313006
17457	Washer U6592 6 Stainless Steel for 39631	R6512X	77569	Pin U7586 6x30 for 39631	S7570	60454	Fan Int90 for 39631	V4005
36884	Washer U6592 8 Stainless Steel for 39631	R6520X	17476	Foot Support Pin D.10 M8 L.37 for 39631	S7595	37013	Motor Fan MEC80 148x16 for 39631	V4014
77512	Washer 8.5x18x2 for 39631	R652215	77526	Pin Ø8x23 for 39631	S7608	37018	Screw STTC U6113 M6x6 for 39631	V6010
19668	Washer 10 for 39631	R6530	77570	Lock Pin for Carr. Plate Rotation for 39631	S7618	37021	Screw for 39631	V6030
66375	Stainless Steel Washer U6592 12 for 39631	R654015	77571	Lock Pin Pusher Arm for 39631	S7623	60426	Stainless Steel Screw STEI U5923 M8x60 for 39631	V6041
17458	Contact Washer for 39631	R6806	62435	Stator 230-50 H (Tubo Alettato) for 39631	S8527	60428	Threaded Rod for 39631	V605315
36889	Washer 10.5x16x1 for 39631	R6816	60467	Statore 400-50 H (Tubo Alettato) for 39631	S8528	37023	Screw STEI U5929 M5x5 for 39631	V6065
36889	Washer 10.5x16x1 for 39631	R6840	78259	Stator 230/50-60 for 39631	S8529	19691	Grub Screw M6x6 for 39631	V6066
17460	Washer 34.2x46x0.5 for 39631	R6846	60468	Statore 120-60 H (Tubo Alettato) for 39631	S8561	37024	Screw STEI U5929 M6x6 for 39631	V6066X
19674	Washer 44.5x51.5x0.2 for 39631	R6848	19870	Stator 120/60 for 39631	S8562	19692	Screw M6x8 for 39631	V6067
77540	Washer 6.2x14x0.6 for 39631	R6854	60466	Stator 220-60 for 39631	S8568	19694	Screw M8x10 for 39631	V6075
77596	Switch Washer A310 for 39631	R6864	60448	Supporto Plate for 39631	S880821	37029	Screw STEI U5929 M8x20 for 39631	V6079
36892	Washer 17x30x4 for 39631	R6874	77597	Washer Bracket A310 for 39631	S9009	19697	Screw M5x16 for 39631	V6211
16972	Washer 5.5x19x2.5 for 39631	R6884	77527	Protec. Support for 39631	S9185	AK406	Screw TC U6108 M6x20 for 39631	V6222
36893	Stainless Steel Special Washer 8.5x24x2 for 39631	R6897X	77572	Bracket for Plate Rod for 39631	S9188	77515	Screw TC U6107 M4x25 Inox for 39631	V623115
36897	Special Washer 5.5x22x1.5 for 39631	R6932	19181	Bracket Support for 39631	S9192	19700	Screw M6x16 for 39631	V6240
60437	Meat Carriage Guard Holder Washer for 39631	R6956	60422	Touch Pad Back Casing for 39631	S9236	77598	Stainless Steel Screw TCEI U5931 M6x20 for 39631	V6245X
60460	Rotor (A3105 P2520) kg.1.80 Each for 39631	R8019	77573	Hand Grip Arm Support for 39631	S9425	37042	Screw TCEI U5931 M8x25 for 39631	V6254

# Parts Breakdown

## Model MS-IT-0350-H 39631

Item No.	Description	Position	Item No.	Description	Position	Item No.	Description	Position
19704	Screw M10x16 for 39631	V6262	37067	Screw TE U5739 M5x20 for 39631	V6423	37095	Screw for Rod 6x13 for 39631	V7993A
77530	Screw TCEI U5931 M10x30 for 39631	V6264	77578	Stainless Steel Screw TE U5739 M8x14 for 39631	V645715	19724	Screw H for 39631	V8001
19706	Screw for 39631	V6278	37077	Screw TSP U6109 M4x6 Inox for 39631	V700615	16987	Special Screw M6x15 for 39631	V8020
37050	Screw TC Aut.D7971 4.2x9 for 39631	V6285	AK407	Screw TSP U6109 M5x15 Stainless Steel for 39631	V7014X	37102	Screw M6x20 for 39631	V8035
77531	Screw TCEI U5931 M6x14 Inox for 39631	V628915	17498	Screw TSPEI U5933 M4x10 for 39631	V7043	19920	Screw M8x30 for 39631	V8036
77599	Screw TC Aut.D7981 4.2x16 for 39631	V6292	37083	Locking Screw-Support for 39631	V705016	37104	Threaded Stud for 39631	V8042
77629	Screw TBTC Aut.U6954 4.2x13 for 39631	V6296	37085	Screw 8x25 for 39631	V705616	77580	Stainless Steel Screw M8x16 for 39631	V8051
77600	Screw TBTC Aut.U6954 3.9x32 for 39631	V6297	19713	Screw Sharpener for 39631	V7710	37113	Screw for Carr. Index M8x25 for 39631	V8099
77545	Stainless Steel Screw TCEI U5931 M8x45 for 39631	V633115	37091	Screw H for 39631	V7730	77581	Special Screw M10x18 for 39631	V8103
77630	Stainless Steel Screw TCEI U5931 M4x12 for 39631	V634415	17503	Screw M5x13 for 39631	V7908	77582	Special Screw Ø8x15 for 39631	V8104
37058	Stainless Steel Screw M4x8 for 39631	V6370	19715	Screw Sharpener for 39631	V7910	77532	Special Screw M8x40 for 39631	V8121
37059	Stainless Steel Screw M4x14 for 39631	V6371	19717	Screw M6x50 for 39631	V7917	60447	Meat Tray Slider Bottom Plate Screw for 39631	V8160
66387	Screw TE U5737 M6x15 Stainless Steel for 39631	V6421X	19917	Screw BS for 39631	V7960			