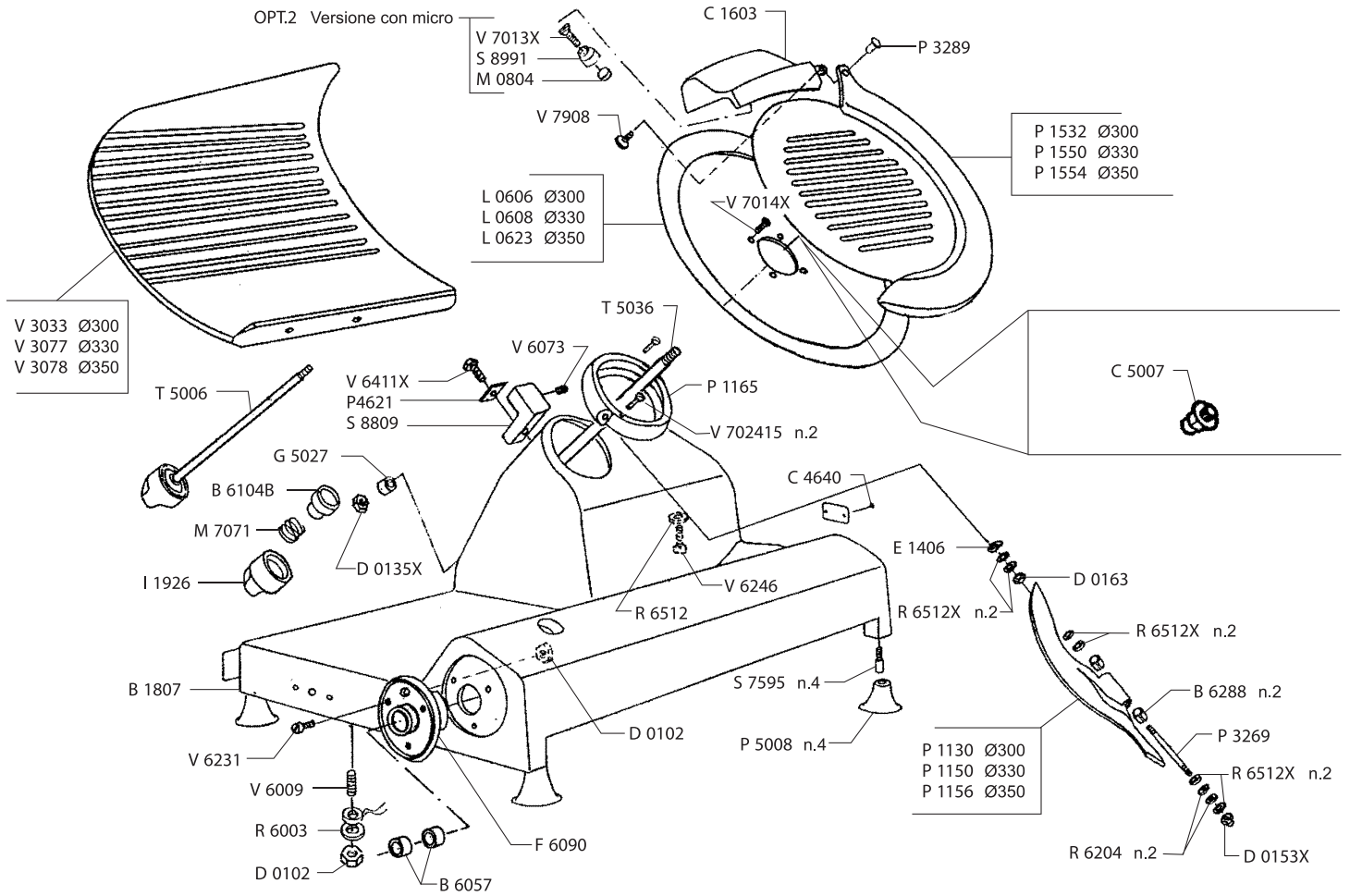


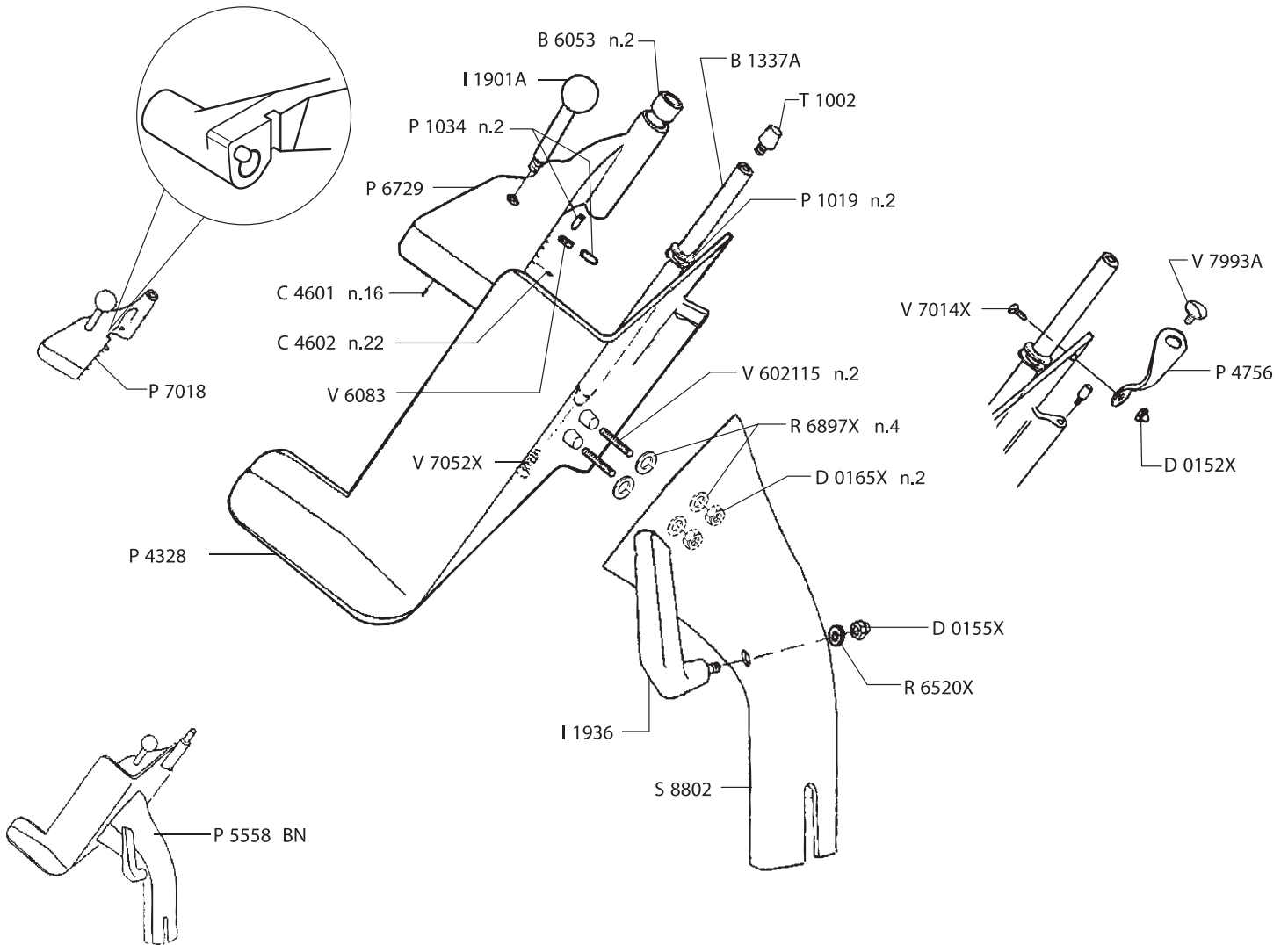
Parts Breakdown

Model MS-IT-0330-G 13642



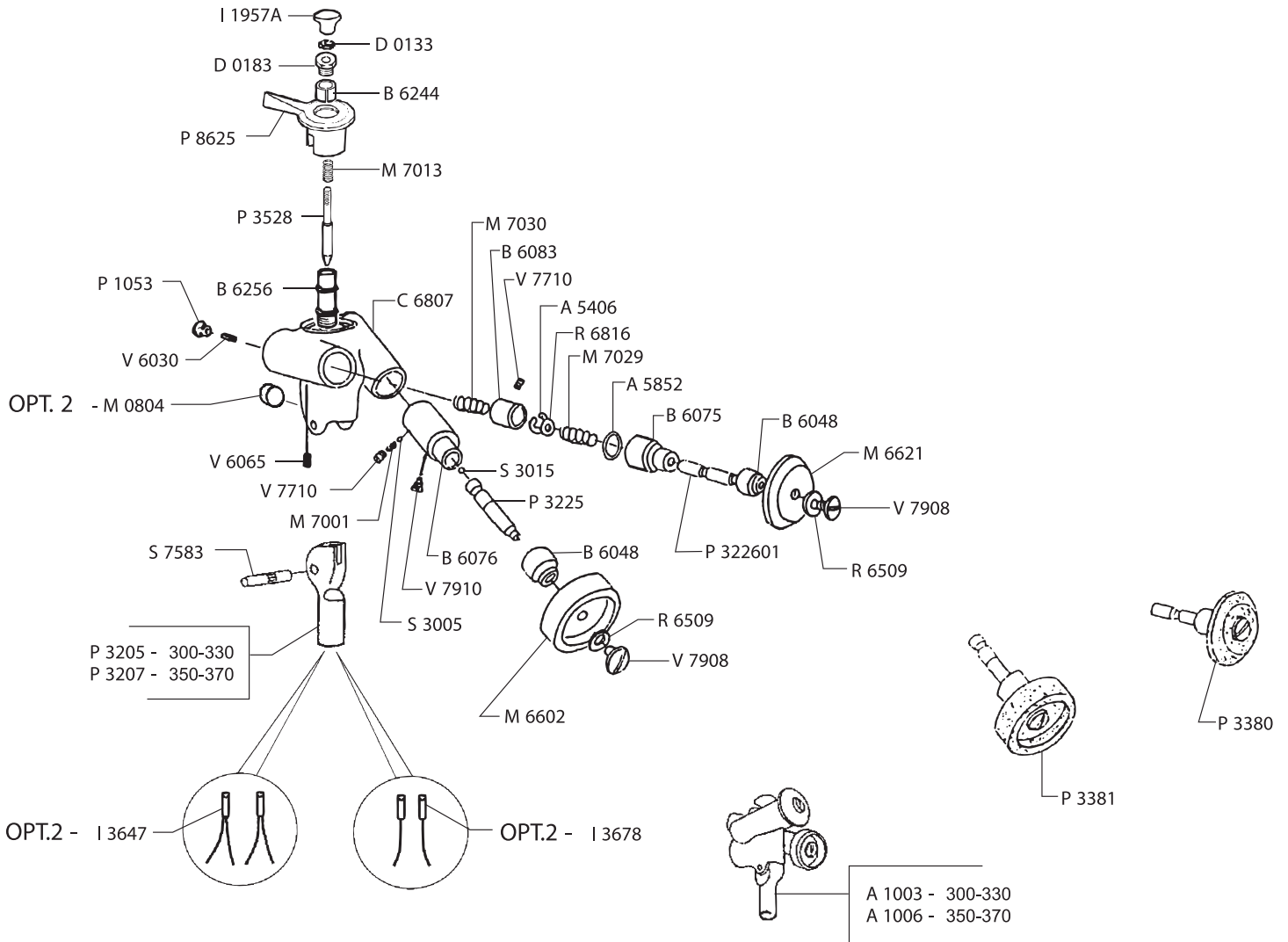
Parts Breakdown

Model MS-IT-0330-G 13642



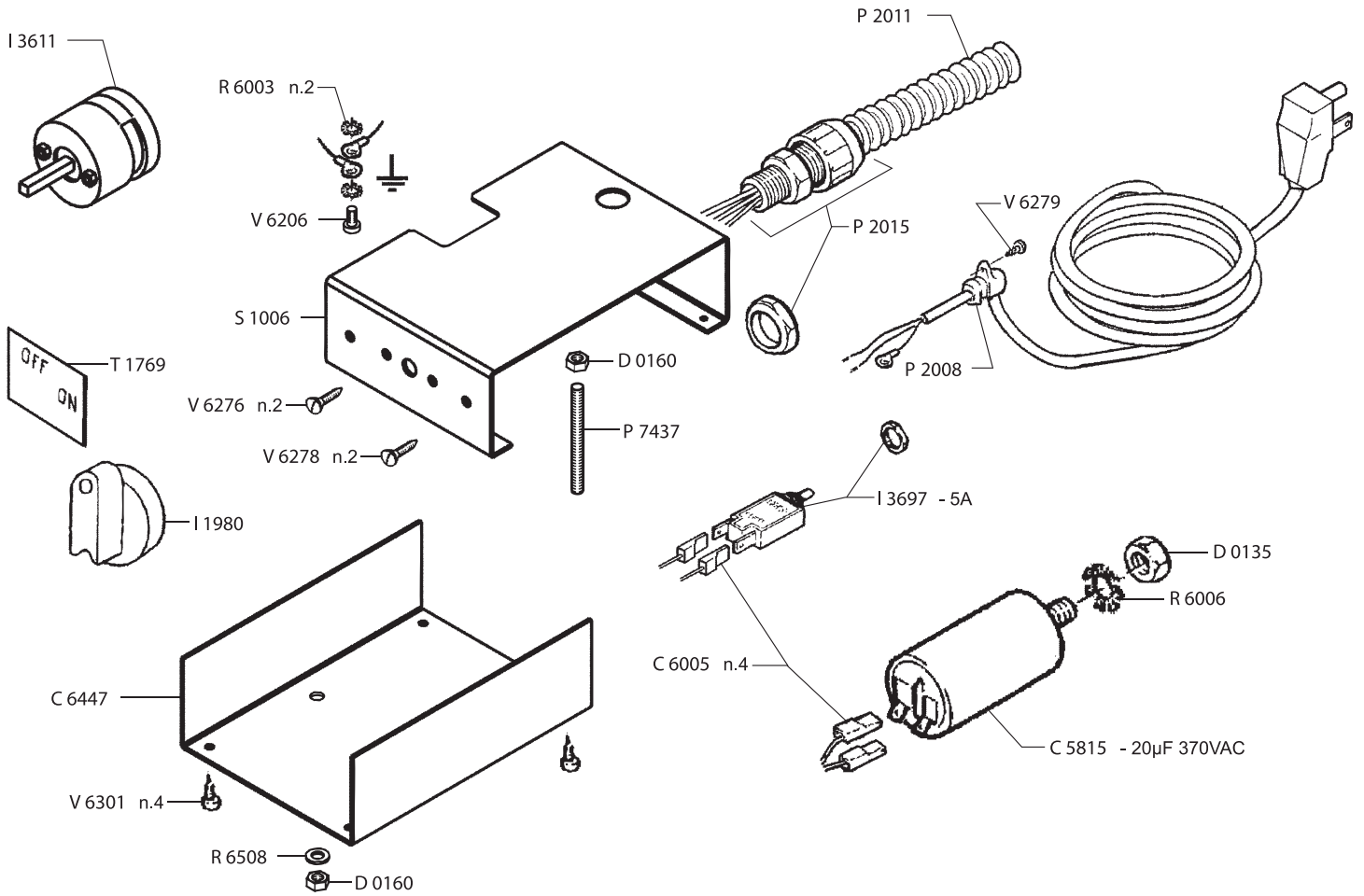
Parts Breakdown

Model MS-IT-0330-G 13642



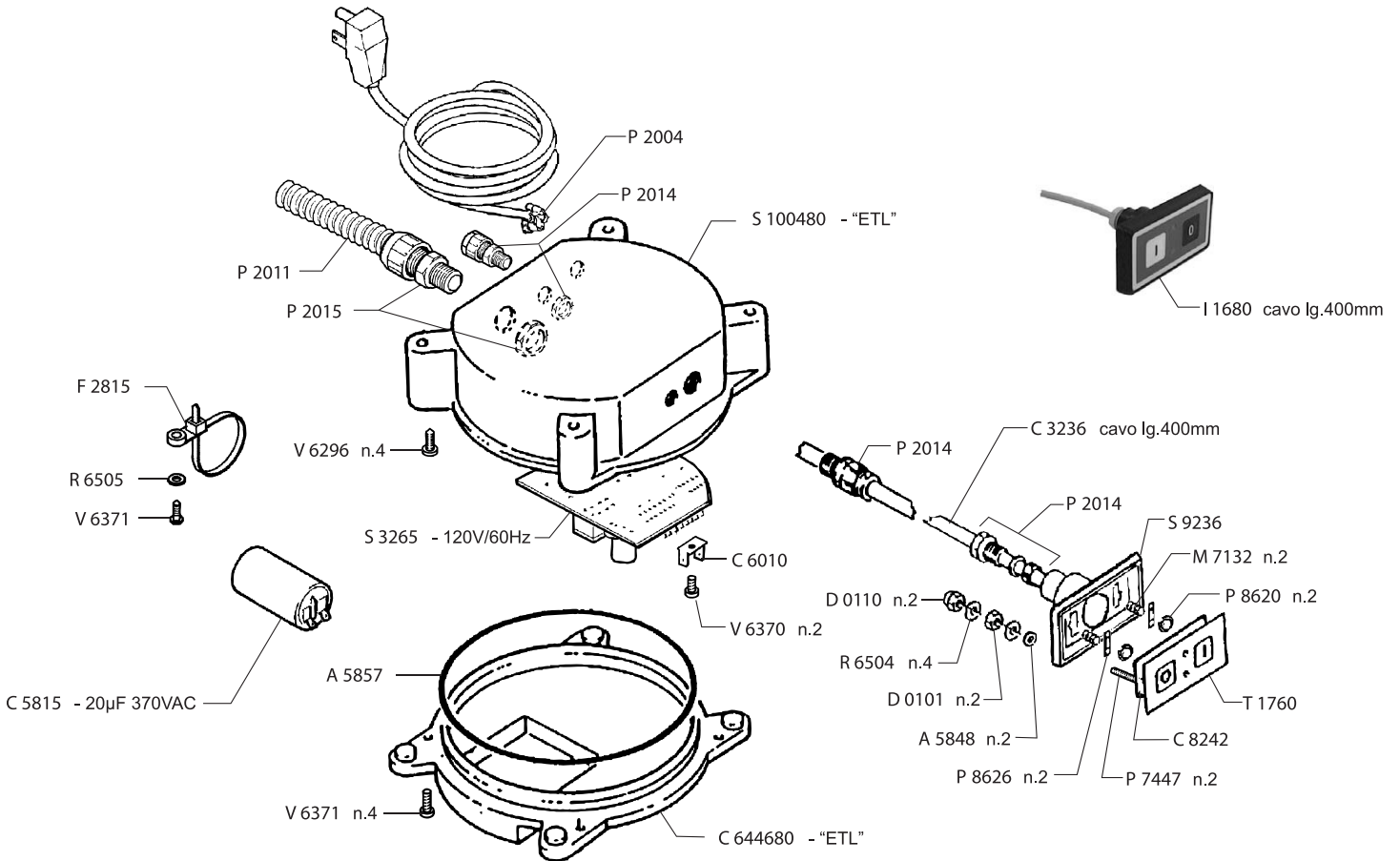
Parts Breakdown

Model MS-IT-0330-G 13642



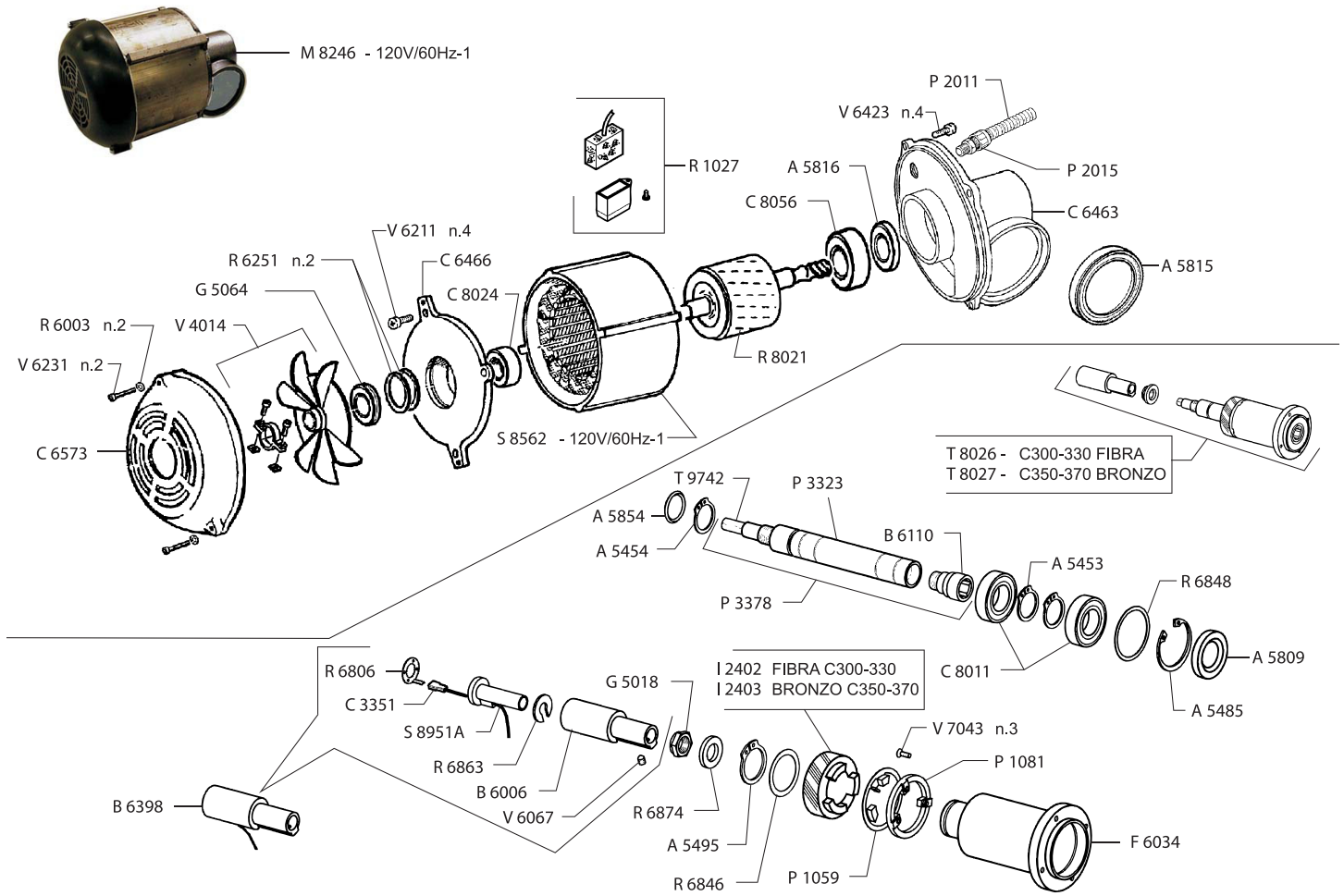
Parts Breakdown

Model MS-IT-0330-G 13642



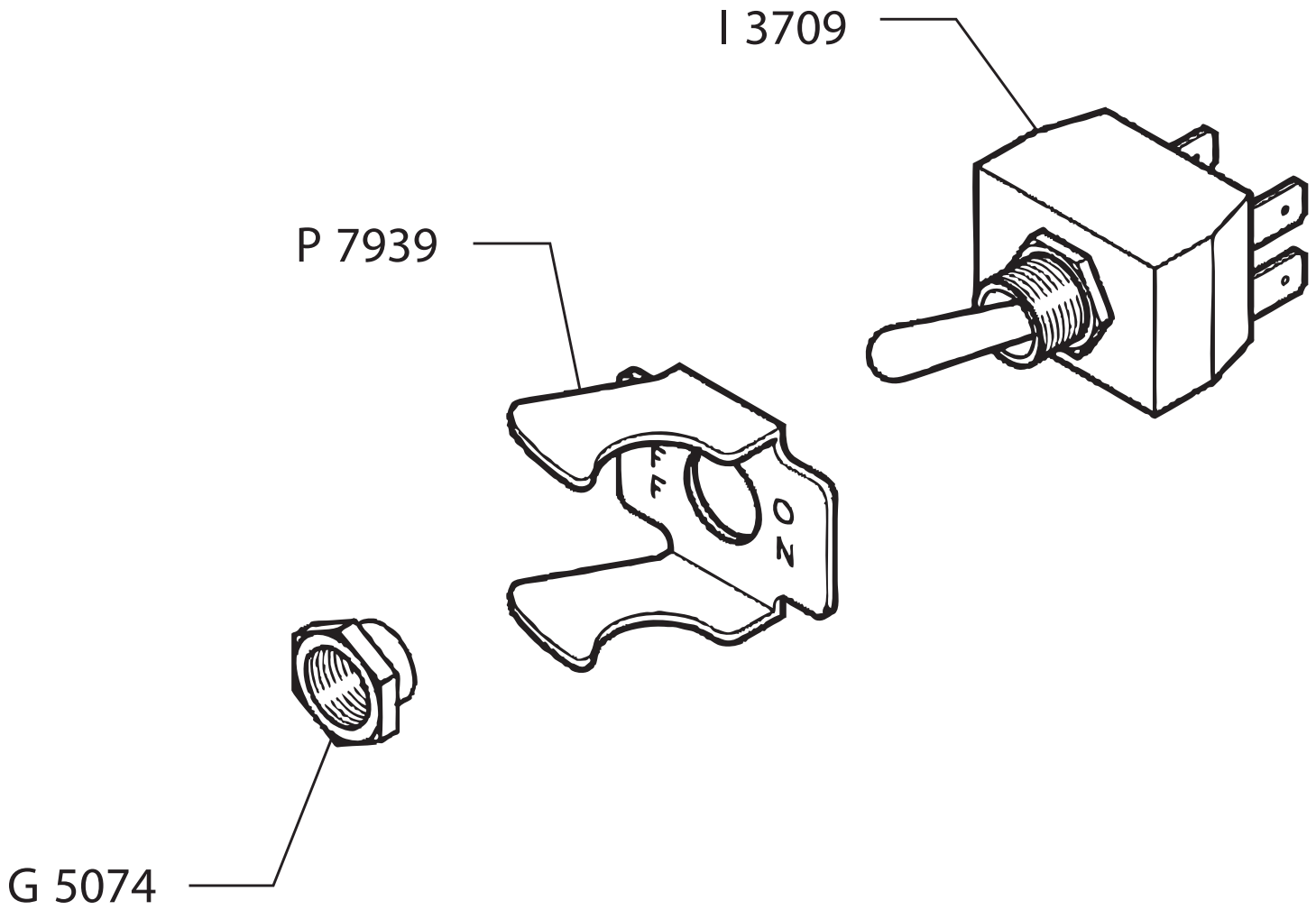
Parts Breakdown

Model MS-IT-0330-G 13642



Parts Breakdown

Model **MS-IT-0330-G** 13642



Parts Breakdown

Model MS-IT-0330-G 13642

Item No.	Description	Position	Item No.	Description	Position	Item No.	Description	Position
17272	Sharpening Assy (Support & Stones) for 13642	A1003	36590	Carriage for 13642	C1854	36651	Sharpener Support Nut for 13642	D0183
16902	Ring EL.Benzing 8 for 13642	A5406	19527	Carriage Ass C for 13642	C1901	36661	Carriage Shock Absorber Spacer for 13642	D5762
17281	Ring EL.Seeger Ext.25 for 13642	A5453	77605	Assy Wiring 6 Poles LG.400 for 13642	C3236	30459	Stop Cam for 13642	E1406
77585	Ring EL.Seeger Est.25 Ser.Heavy for 13642	A5454	65610	Cord 0.5 LG.750 Coverblade Microswitch for 13642	C3351	17342	Cam 15mm for 13642	E1420
19484	Ring 52 for 13642	A5485	17316	Pin 8.5mm for 13642	C4601	17345	Cam Bearing for 13642	E1458
19612	Ring 33 for 13642	A5495	17317	Pin .11 for 13642	C4602	36680	Carriage Felt for 13642	F1606
17283	Oil Seal 25x52x10 for 13642	A5809	36601	Rivet 1.9x5 for 13642	C4640	77614	Nylon Cable Tie (Diam.45x200) for 13642	F2815
17285	Oil Seal 60x75x8 for 13642	A5815	36607	Blade Cover Bolt Keeper 14x14 M for 13642	C5007	17348	Flange Knife C for 13642	F6034
19493	Oil Seal 25x47x07 for 13642	A5816	20458	Capacitor 20uF for 13642	C5815	17351	Locknut for 13642	G5018
77601	Oil Seal OR 2010 for 13642	A5848	Al225	Connector for 13642	C6005	36689	Stainless Steel Locknut M8 for 13642	G5027
17287	O-Ring 123 17.86x2.62 for 13642	A5852	74403	Connector Faston 2 Poles Male for 13642	C6010	36697	Logging Lock Nut for 13642	G5064
17288	O-Ring 3081 20.24x2.62 for 13642	A5854	77611	P.C.B. Cover Box for 13642	C644680	17352	Touch Pad-Start/Stop Push Button for 13642	I1680
77602	O-Ring OR 4500 for 13642	A5857	Al226	Cover Box for S1006 for 13642	C6447	16930	Handle C for 13642	I1901A
36547	Carriage Rod lg.465 for 13642	B1085	78266	Front Motor Cover for 13642	C6463	17356	Fastener Handle for 13642	I1926
36549	Shock Absorber Rod 12x185 for 13642	B1252	36615	Back Motor Cover for 13642	C6466	16932	Handle Carriage C for 13642	I1936
36552	Carriage Rod for 13642	B1285	36617	Motor Fan Cover for 13642	C6573	19587	Sharpener Knob for 13642	I1957A
19501	Meat Grip Rod A310 & C for 13642	B1337A	19534	Housing Sharpener H for 13642	C6807	36705	Adjustment Knob for 13642	I1970A
78270	Body for 13642	B1807	17334	Bearing 2Z-6205 25x52x15 for 13642	C8011	36707	Switch Handle for 13642	I1980
17298	Bushing Fastener C for 13642	B6006	16925	Bearing 2RS-6204 20x47x14 for 13642	C8024	36708	Assy Index Knob for 13642	I1990A
16904	Bushing Sharpener for 13642	B6048	36631	Bearing 2RS-6205 25x52x15 for 13642	C8056	18220	Knob-Handling for 13642	I203576
16905	Bushing DU 16x18x15 for 13642	B6053	16926	Bearing 2RS-6000 (10x26x8) for 13642	C8067	62453	Nylon Gear for 13642	I2402
17304	Bushing for 13642	B6056	60423	Touch Pad Gasket for 13642	C8242	16938	Switch and Knob for 13642	I3611
17305	Bushing DU 18x20x15 for 13642	B6057	19637	Nut M3 for 13642	D0101	17369	Switch 4x20 for 13642	I3647
16906	Bush Sharpening for 13642	B6075	19638	Nut M4 for 13642	D0102	36723	Switch 4x25 for 13642	I3678
16907	Bush. Sharpening for 13642	B6076	77612	Self-Locking Nut M3 UNI7473 for 13642	D0110	72282	Overload Protector for 13642	I3697
17307	Bushing Sharp. for 13642	B6083	16928	Nut U5589 M6 for 13642	D0133	Al227	Interr.Bipolare A Levetta 16A for 13642	I3709
19630	Bushing Fastener HBC for 13642	B6104B	19639	Nut M8 for 13642	D0135	13598	Blade 330 57x4x270 for 13642	L0608
78265	Bushing Funnel for 13642	B6110	36637	Nut U5589 M8 Stainless Steel for 13642	D0135X	36733	Magnet 8x10 for 13642	M0803
18648	Bushing for 13642	B6212	36639	Nut U5721 M5 Stainless Steel for 13642	D0152X	36734	Magnet 12x6 for 13642	M0804
36566	Bushing to Hold Carriage Springs for 13642	B6221	36640	Domed Nut U5721 M6 Stainless Steel for 13642	D0153X	21645	G Stone 51x15x14.3 for 13642	M6602
17313	Bushing DU 14x15x16 for 13642	B6244	19642	Nut M8 for 13642	D0155X	21644	F Stone 51x7x14.3 for 13642	M6621
23646	Sharpener Pivot Ferrule for 13642	B6256	36643	Nut U5588 M5 for 13642	D0160	36741	Spring 2.9x4x12 Stainless Steel for 13642	M7001
41601	Bushing DU 6x8x10 for 13642	B6288	19644	Nut M6 for 13642	D0163	17377	Spring 8.5x1.0x25 Stainless Steel for 13642	M7013
78677	Bushing Fastener Guard Knife C for 13642	B6398	36647	Nut U5588 M8 for 13642	D0165	17379	Spring 11.9x0.7x27 Stainless Steel for 13642	M7029
16909	Sharpener Cover for 13642	C1603	36648	Nut U5588 M8 for 13642	D0165X	17380	Spring 13.4x1.3x30 Stainless Steel for 13642	M7030

Parts Breakdown

Model MS-IT-0330-G 13642

Item No.	Description	Position	Item No.	Description	Position	Item No.	Description	Position
19776	Spring 14x1.5x60 for 13642	M7032	17444	Stud Carriage for 13642	P7431	19870	Stator 120/60 for 13642	S8562
17381	Spring 22 5x1 8x18 for 13642	M7052	AI228	Stud Motor Cover for 13642	P7437	36934	Bracket.Tray C for 13642	S8802
19250	Spring 24.8x1.8x15 for 13642	M7071	60424	Touch Pad Screw for 13642	P7447	19871	Bracket Sharpener for 13642	S8809
19248	Spring 15.6x20x2.2 for 13642	M7120	AI229	Protection Switch Lev.(ETL) for 13642	P7939	78236	Bracket Washer C for 13642	S8951A
78283	Screw for 13642	M7132	78282	Lock Washer for 13642	P8620	36952	Magnet Support for 13642	S8991
20263	Motor 120V/60Hz-1 for 13642	M8246	24030	Sharpener Operating Handle	P8625	60422	Touch Pad Back Casing for 13642	S9236
19791	Oiler Oil Cap with Screw for 13642	O4040	78284	Bracket for 13642	P8626	19878	Rubber Cap for 13642	T1002
17390	Rubber Shock ABS. 16x22x2.5 for 13642	P1019	65640	Oil Receiver for 13642	R1027	19879	Label for 13642	T1603
17392	PL.Shock Absorb.8.5x20 for 13642	P1034	19657	Washer 4 for 13642	R6003	19880	Label for 13642	T1606
36761	Shock Absorber for 13642	P103401	19659	Washer 8 for 13642	R6006	AI231	Label Plate for 13642	T1617A
36762	Rubber Plug for 13642	P1053	17454	Washer for 13642	R6204	19883	Label Oil for 13642	T1690
16955	Shock Absorber for 13642	P1059	78258	Washer 30.5x46.5x0.6 for 13642	R6251	77628	Switch Overlay for 13642	T1760
17395	Shock Absorber for 13642	P1081	36880	Washer U6592 3 for 13642	R6504	16978	Blade Cover Fastener Assy C for 13642	T5006
19805	Deflector for 13642	P1150	17455	Washer U6592 4 for 13642	R6505	19887	Blade Cover Fastener C for 13642	T5036
27888	Ring Deflector for 13642	P1165	17456	Washer U6592 5 for 13642	R6508	16983	Knife Shaft Assy for 13642	T8026
17412	Knife Guard for 13642	P1550	20422	Washer for 13642	R6509	36999	Riding Pin (Diam.28) for 13642	T8538
77616	Strain Relief for 13642	P2004	16967	Washer U65926 for 13642	R6512	79283	Shaft Pin for 13642	T9742
17415	Strain Relief for 13642	P2008	17457	Washer U6592 6 Stainless Steel for 13642	R6512X	78268	Gauge Plate for 13642	V3077
60421	Electrical Conduit for 13642	P2011	36884	Washer U6592 8 Stainless Steel for 13642	R6520X	37013	Motor Fan MEC80 148x16 for 13642	V4014
36778	Wire-Press for 13642	P2014	36885	Washer U6592 10 Stainless Steel for 13642	R6530X	37017	Screw STTC U6113 M4x30 for 13642	V6009
36779	Core-Hitch + Nut for 13642	P2015	17458	Contact Washer for 13642	R6806	17492	Screw STTC U6113 M6x40 for 13642	V6013
19811	Pin Sharpener for 13642	P3205	36889	Washer 10.5x16x1 for 13642	R6816	26127	Stud C Model for 13642	V602115
16959	Pin Grinding for 13642	P3225	16969	Washer 18.2x25x0.5 for 13642	R6840	37021	Screw for 13642	V6030
17419	Pin Truing for 13642	P322601	17460	Washer 34.2x46x0.5 for 13642	R6846	37023	Screw STEI U5929 M5x5 for 13642	V6065
17422	Pin Deflector for 13642	P3269	19674	Washer 44.5x51.5x0.2 for 13642	R6848	19691	Grub Screw M6x6 for 13642	V6066
17423	Pivot Hinged Support O10x22 (Pin Grinding Long) for 13642	P3289	19675	Washer C for 13642	R6863	19692	Screw M6x8 for 13642	V6067
78237	Knife Shaft for 13642	P3323	36892	Washer 17x30x4 for 13642	R6874	23648	Screw for 13642	V6073
23649	Knife Shaft for 13642	P3378	36893	Stainless Steel Special Washer 8.5x24x2 for 13642	R6897X	37030	Screw M12x16 U5927 for 13642	V6081
17426	Assy Honing Stone Pivot for 13642	P3380	78261	Rotor Stator H.50 for 13642	R8021	37031	Screw STEI U5929 M8x16 for 13642	V6083
17427	Assy Grinding Stone & Pin for 13642	P3381	77619	P.C.B. Protection Box for 13642	S100480	37033	Screw TC U6107 M4x8 for 13642	V6206
23645	Sharpener Pivot for 13642	P3528	AI230	Electric Box for 13642	S1006	19697	Screw M5x16 for 13642	V6211
26126	Table for 13642	P4328	19680	Ball 3 17 for 13642	S3005	19699	Screw M4x25 for 13642	V6231
19831	Gauge Plate Flat Bar VS for 13642	P4621	17465	Ball 4.76 for 13642	S3015	19702	Screw M6x25 for 13642	V6246
16960	Support Plate for 13642	P4756	41350	P.C. Board 120V/60 ETL for 13642	S3265	37042	Screw TCEI U5931 M8x25 for 13642	V6254
36830	Flat Bar C for 13642	P4765	36908	Track C-CD for 13642	S3815	37047	Screw TC AUT.D7971 2.9x13 for 13642	V6276
16961	Foot for 13642	P5008	17475	Pin 8x42 for 13642	S7583	19706	Screw for 13642	V6278
78235	End Grip for 13642	P6729	19867	Pin D10 M6 L26 for 13642	S7594	37048	Screw TCTC AUT.D7981 3.5x9.5 for 13642	V6279
17443	End Grip for 13642	P7018	17476	Foot Support Pin D.10 M8 L.37 for 13642	S7595	77629	Screw TBTC AUT.U6954 4.2x13 for 13642	V6296

Parts Breakdown

Model MS-IT-0330-G 13642

Item No.	Description	Position	Item No.	Description	Position	Item No.	Description	Position
37054	Screw TBTC AUT.U6954 2.9x9.5 for 13642	V6301	37078	Stainless Steel Screw TSP U6109 M5x12 for 13642	V7013X	19715	Screw Sharpener for 13642	V7910
37058	Stainless Steel Screw M4x8 for 13642	V6370	17497	Screw TSP U6109 M5x15 Stainless Steel for 13642	V7014X	17504	Bar Screw M6x14 Stainless Steel for 13642	V7915
37059	Stainless Steel Screw M4x14 for 13642	V6371	37080	Stainless Steel Screw M4x40 U6109 for 13642	V702415	19717	Screw M6x50 for 13642	V7917
37061	Screw TE U5739 M8x35 Inox for 13642	V6411X	17498	Screw TSPEI U5933 M4x10 for 13642	V7043	19720	Screw M6 for 13642	V7934
37064	Screw TE U5739 M10x35 for 13642	V6415X	37084	Screw TSPEI U5933 M10x30 Stainless for 13642	V7052X	37095	Screw for Rod 6x13 for 13642	V7993A
37066	Screw TE U5737 M6x15 for 13642	V6421	19713	Screw Sharpener for 13642	V7710	19920	Screw M8x30 for 13642	V8036
37067	Screw TE U5739 M5x20 for 13642	V6423	17503	Screw M5x13 for 13642	V7908			