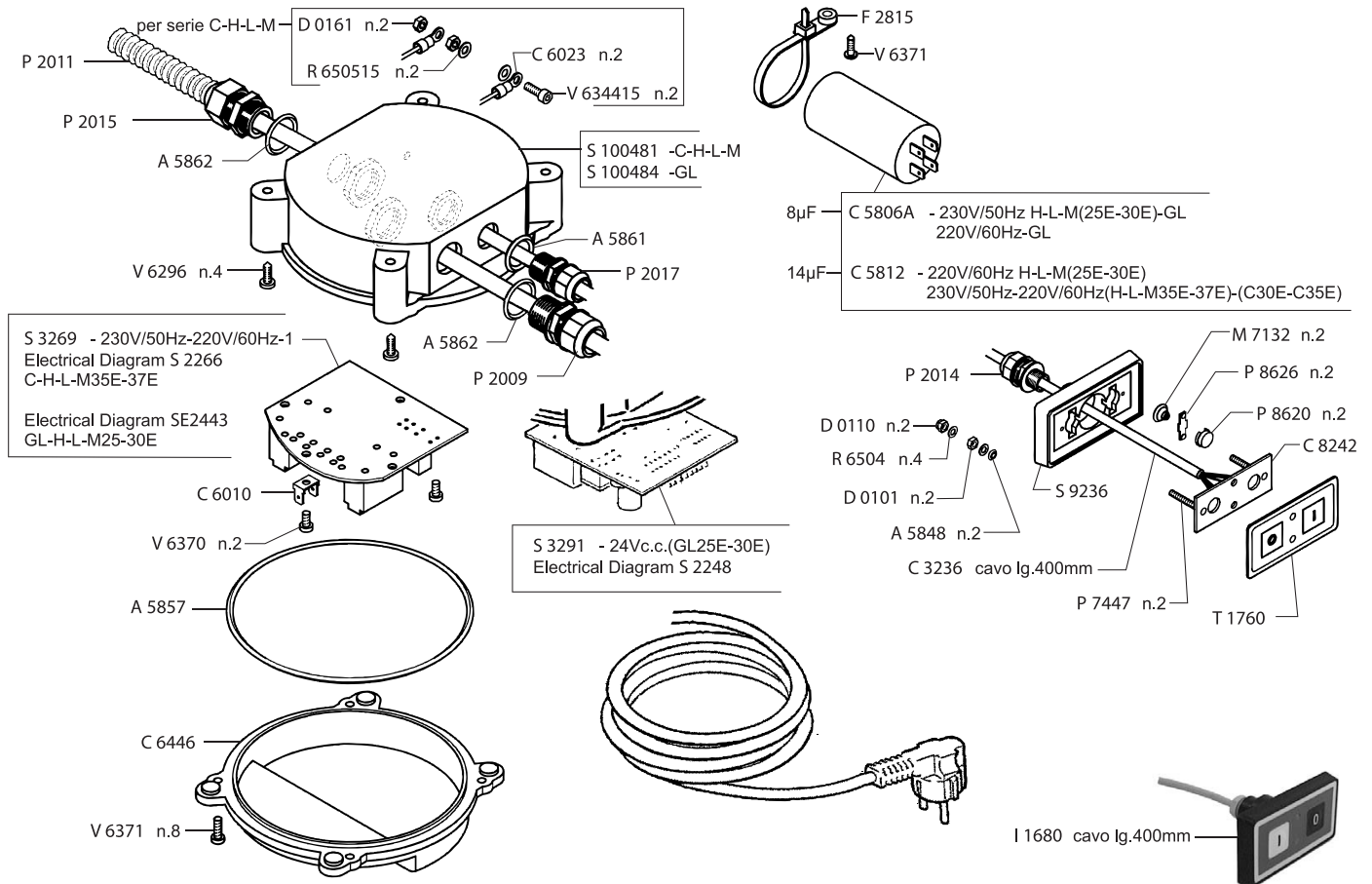


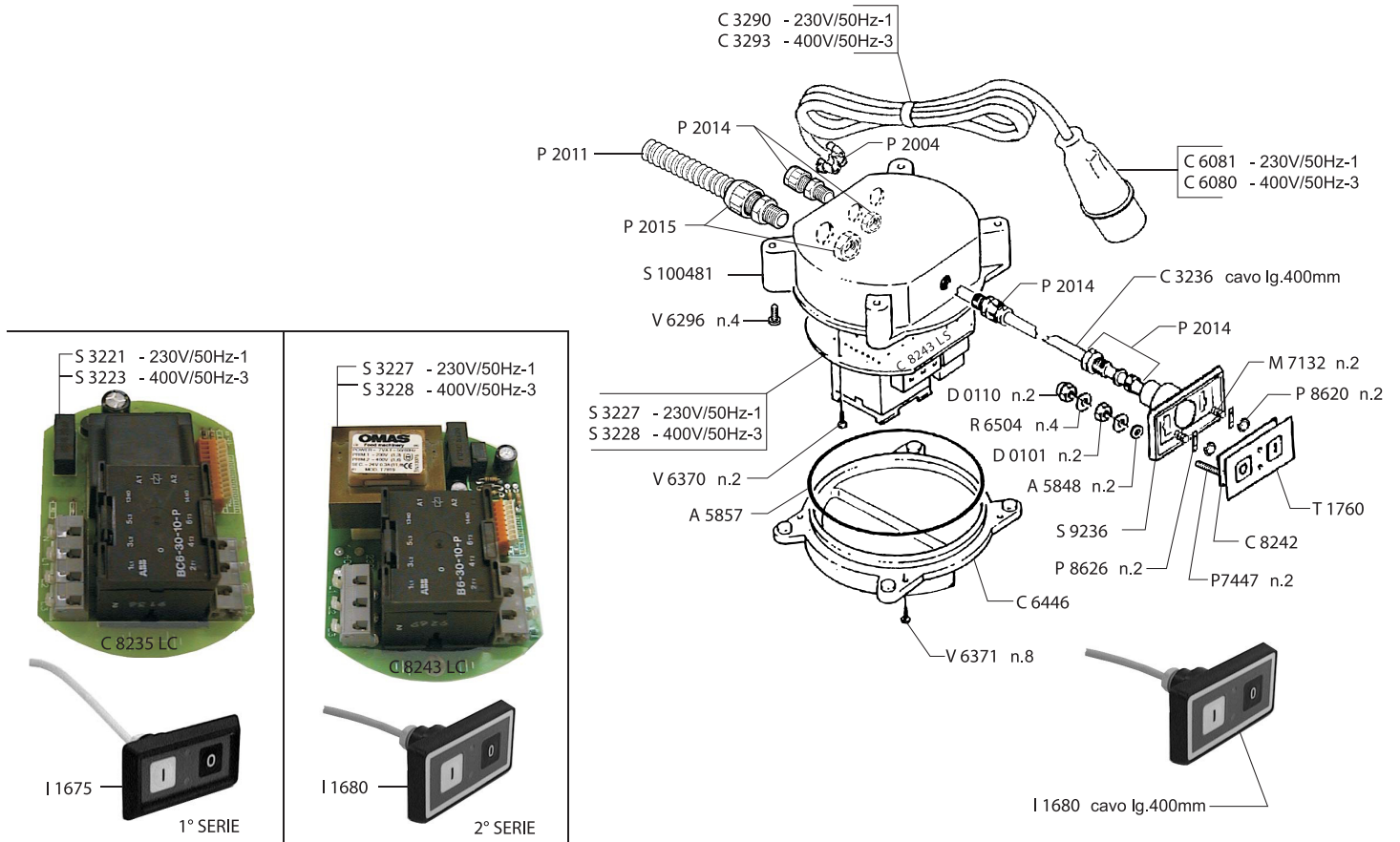
Parts Breakdown

Model MS-IT-0313-H 44006



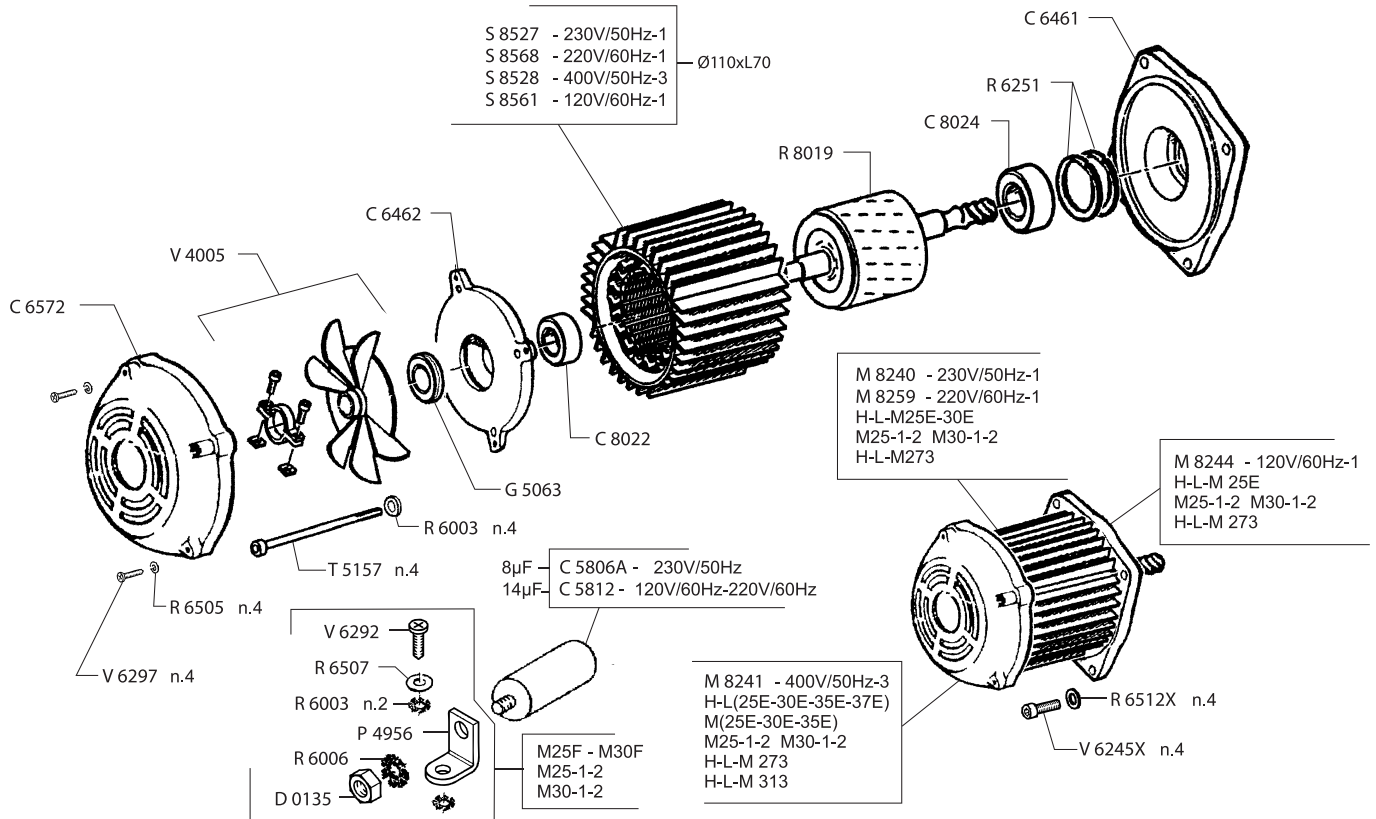
Parts Breakdown

Model MS-IT-0313-H 44006



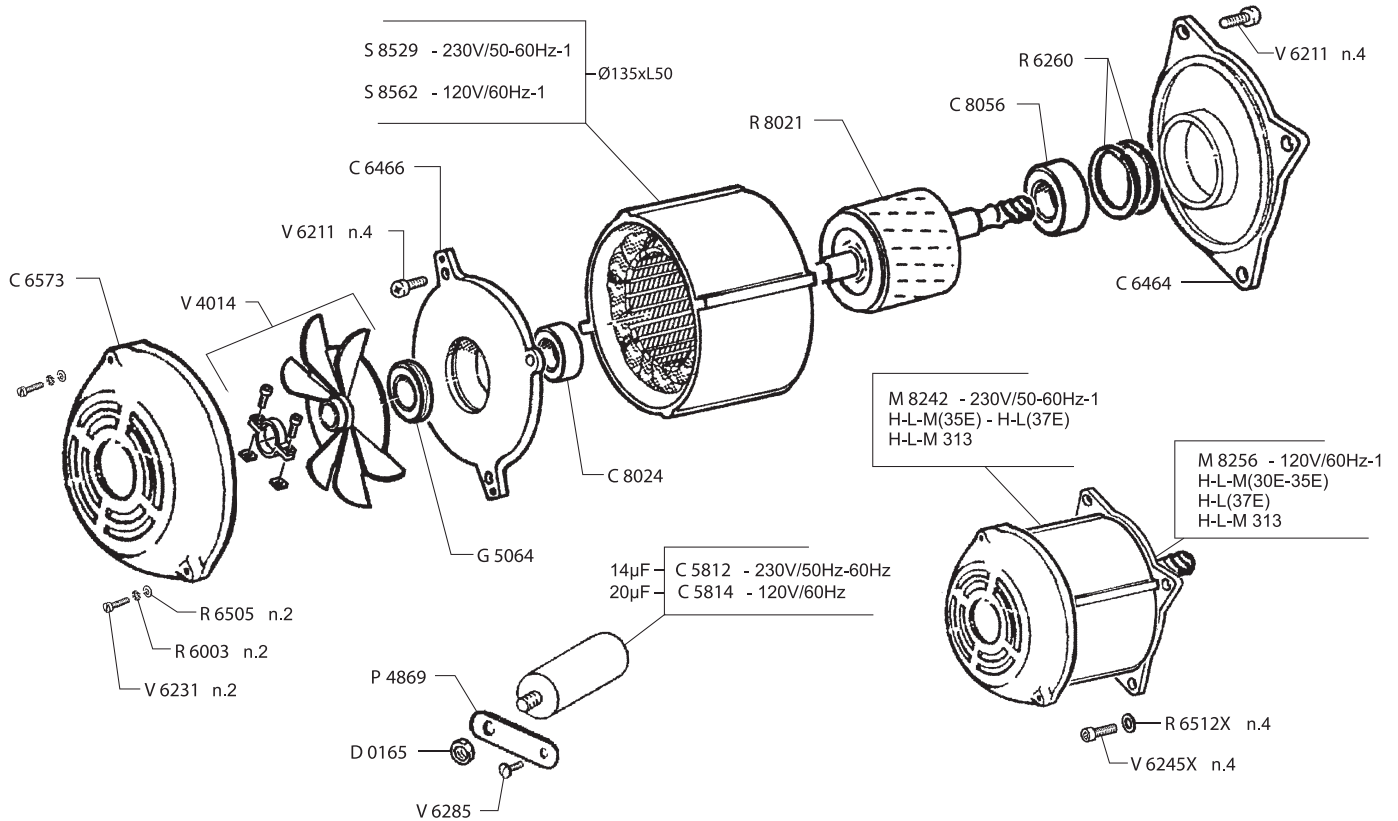
Parts Breakdown

Model MS-IT-0313-H 44006



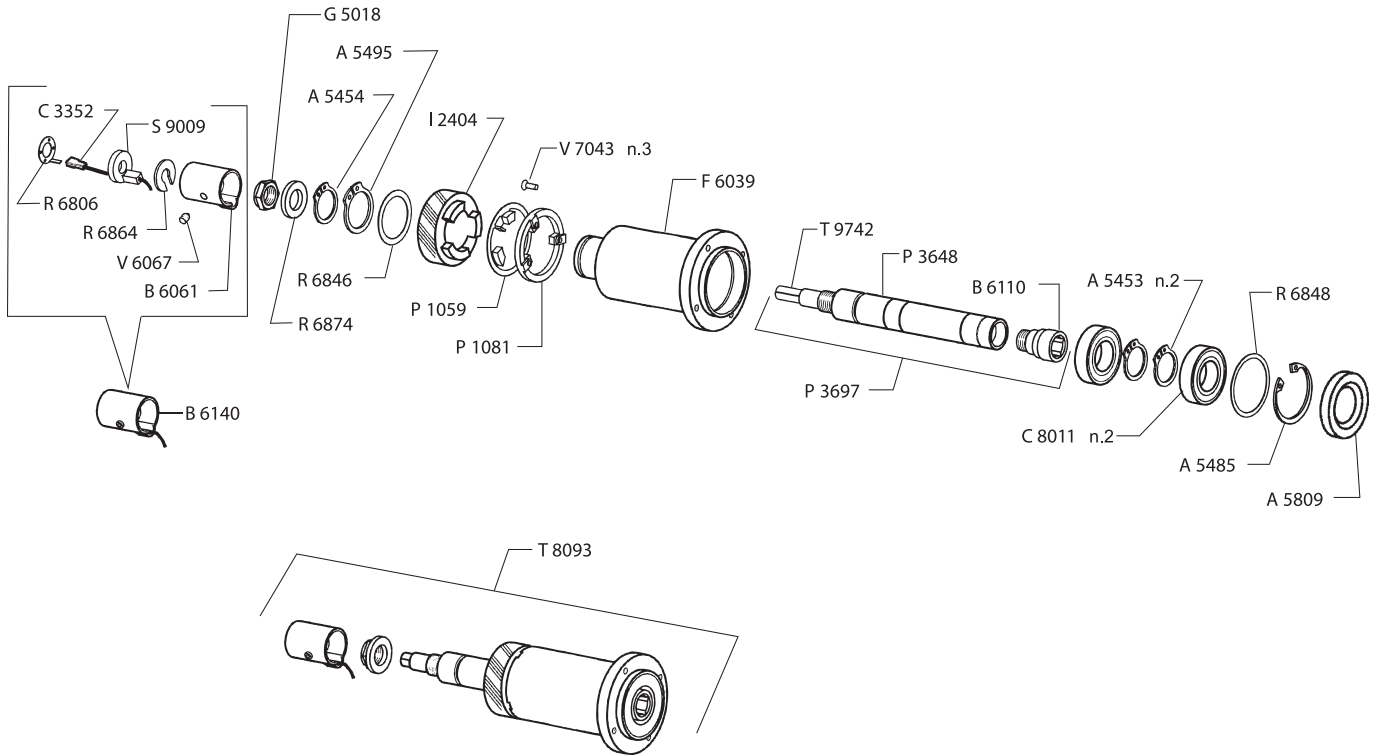
Parts Breakdown

Model MS-IT-0313-H 44006



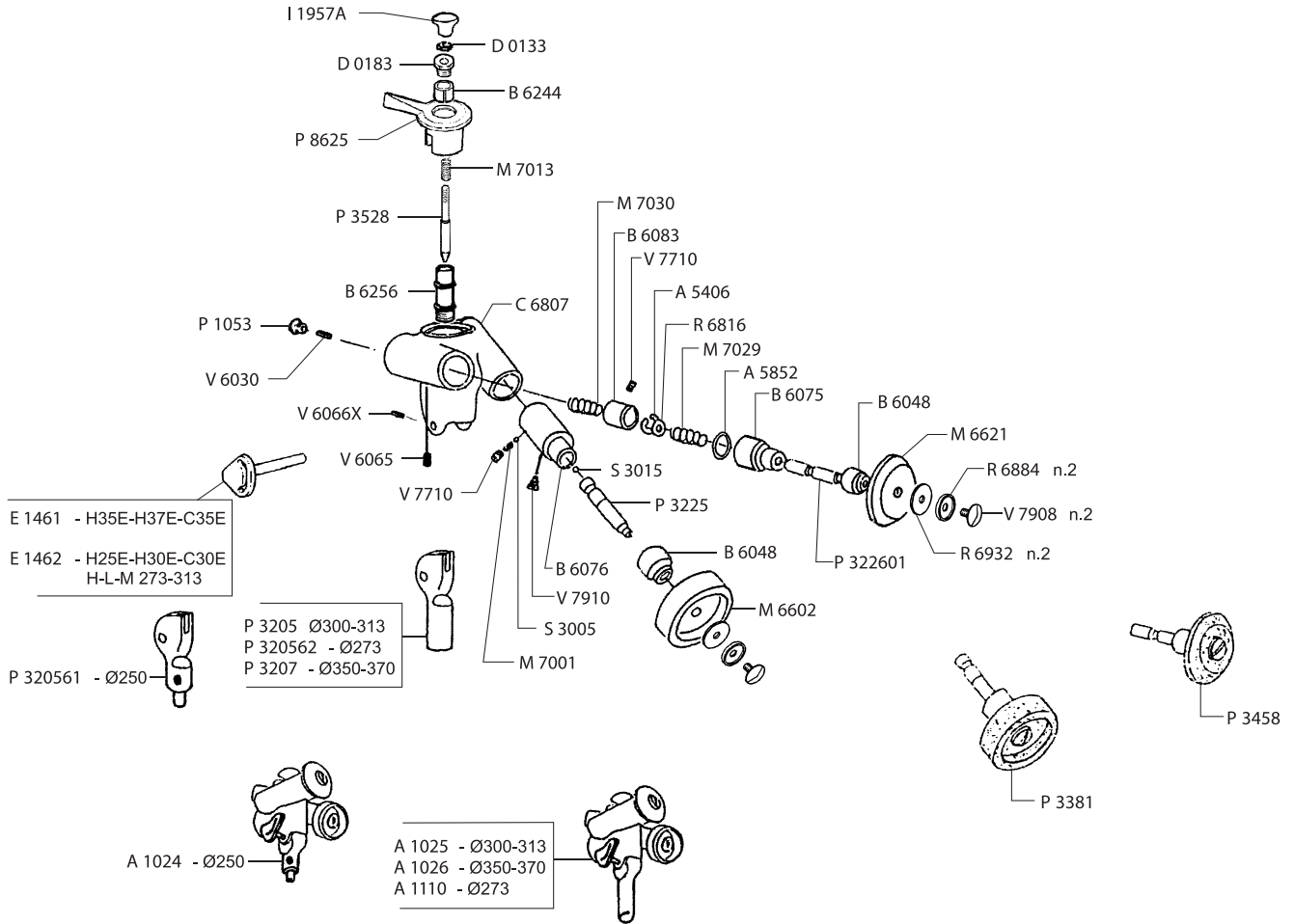
Parts Breakdown

Model MS-IT-0313-H 44006



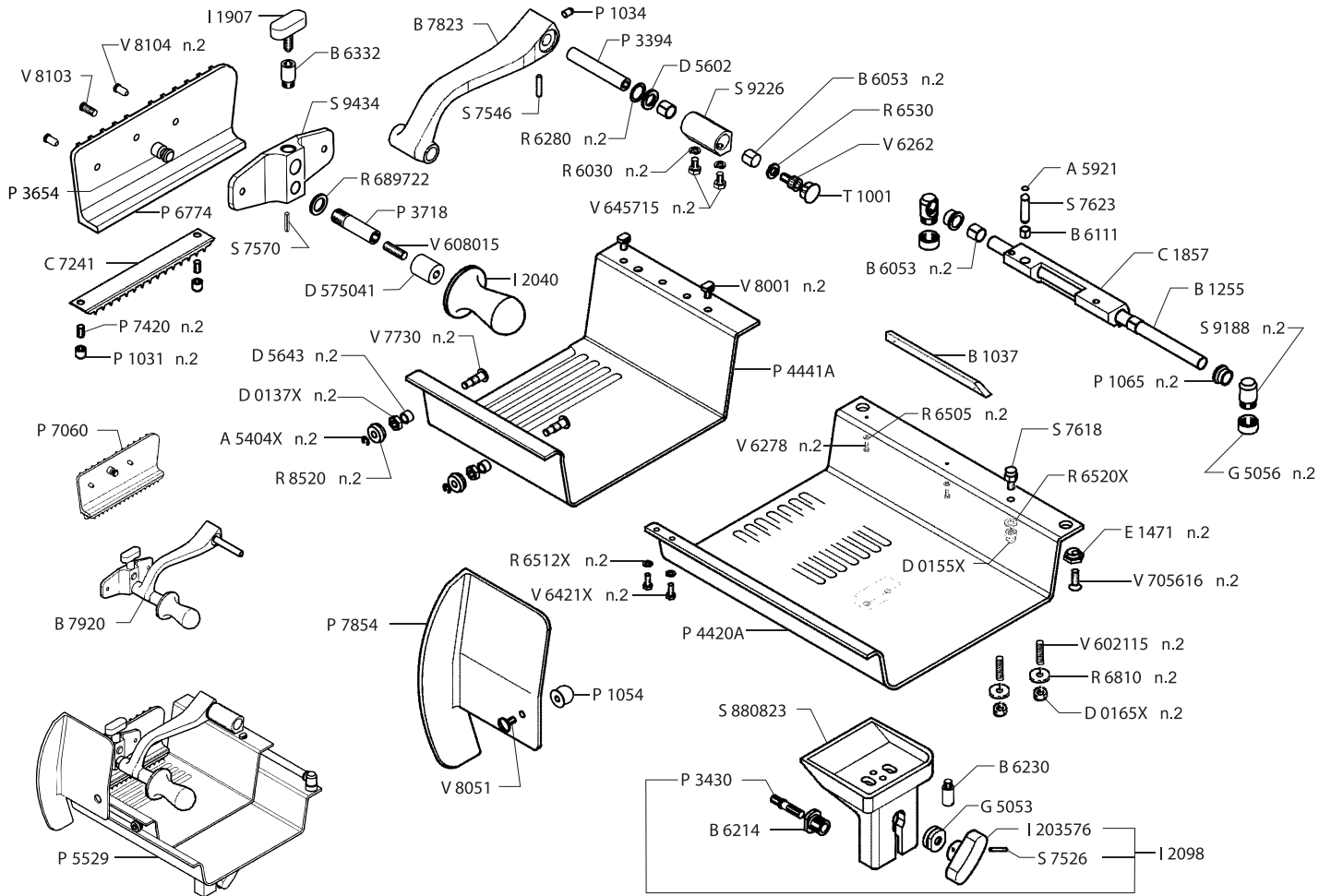
Parts Breakdown

Model MS-IT-0313-H 44006



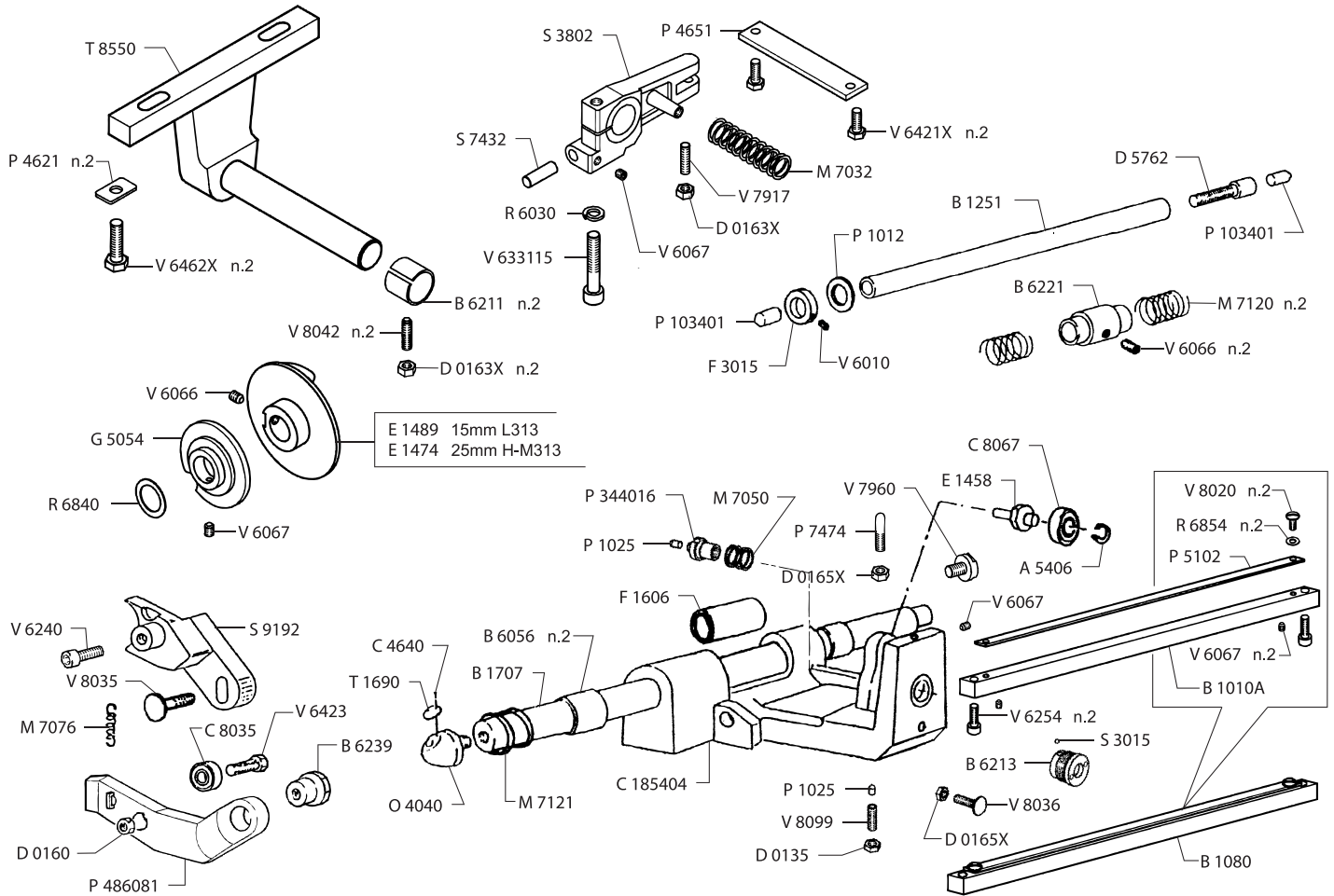
Parts Breakdown

Model MS-IT-0313-H 44006



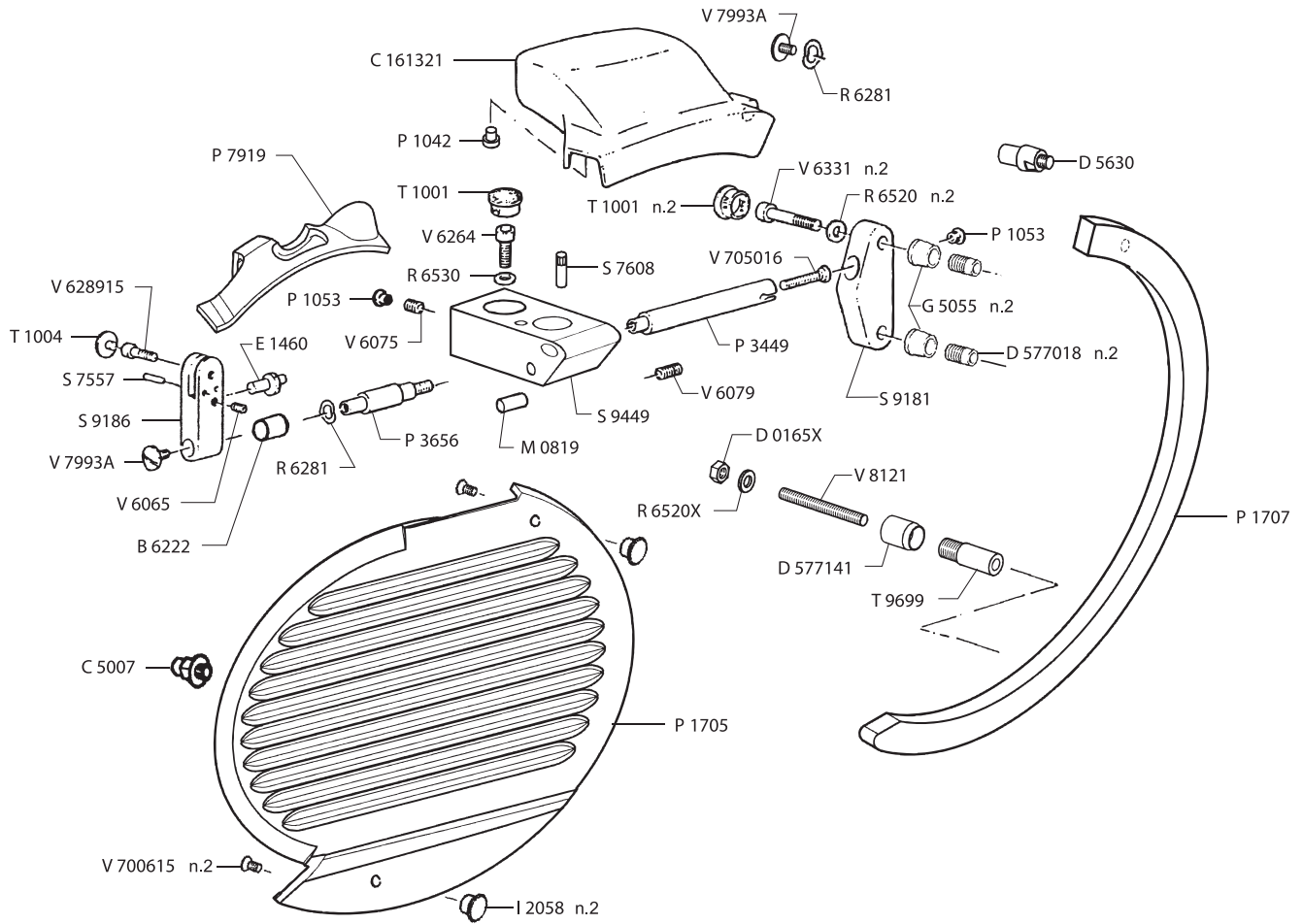
Parts Breakdown

Model MS-IT-0313-H 44006



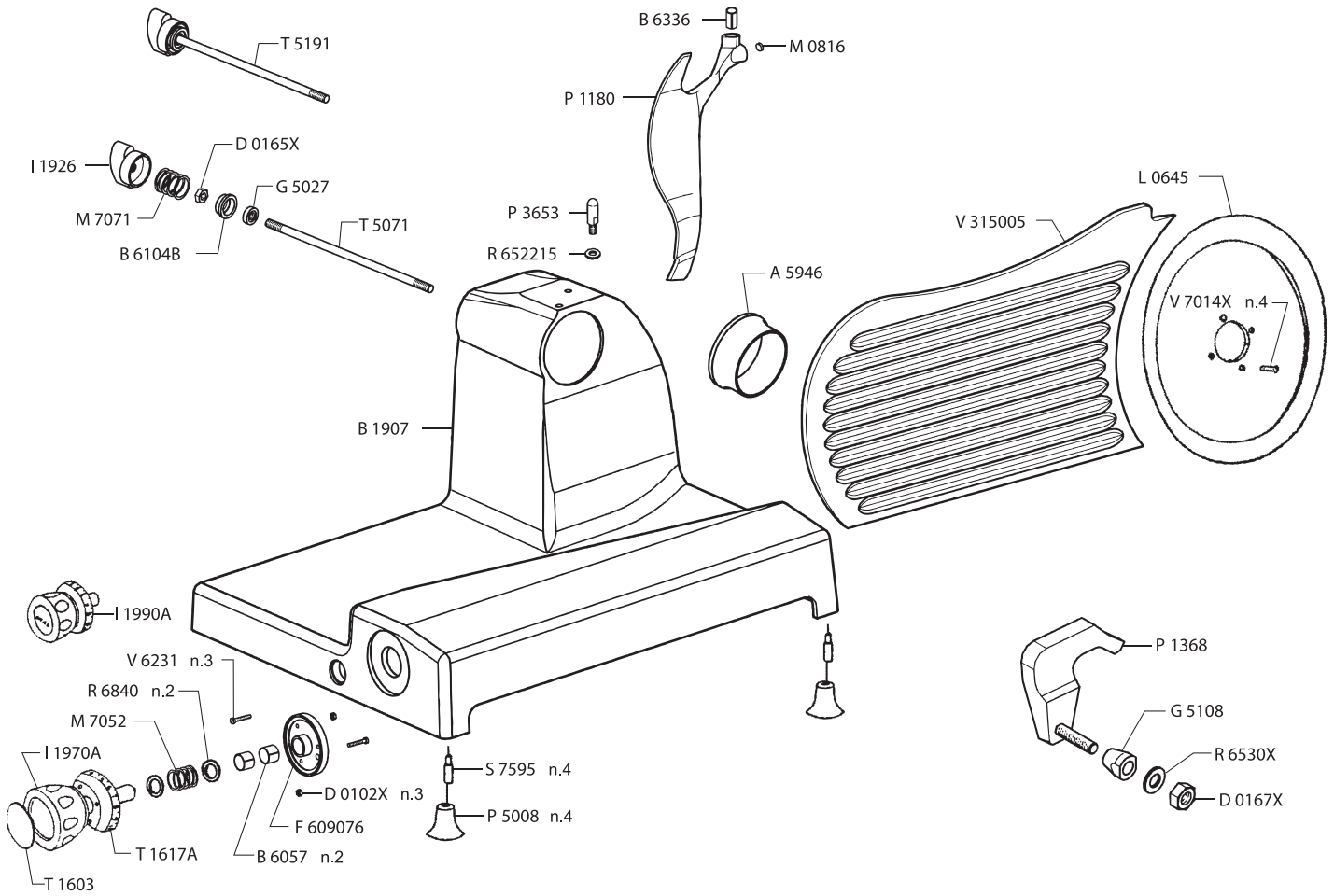
Parts Breakdown

Model MS-IT-0313-H 44006



Parts Breakdown

Model MS-IT-0313-H 44006



Parts Breakdown

Model MS-IT-0313-H 44006

Item No.	Description	Position	Item No.	Description	Position	Item No.	Description	Position
77583	Sharpener (Support + Stones) for 44006	A1024	36566	Bushing to Hold Carriage Springs for 44006	B6221	77612	Self-Locking Nut M3 UNI7473 for 44006	D0110
36532	Assy Sharpener for 44006	A1025	36567	Bushing DU 12x14x25 for 44006	B6222	16928	Nut U5589 M6 for 44006	D0133
16900	Sharpening Assembly for 44006	A1026	36569	Fixing Lever Bushing for 44006	B6239	78293	Nut U5589 M8 for 44006	D0135
36536	Ring El.Benzing 6 Stainless Steel for 44006	A5404X	17313	Bushing DU 14x15x16 for 44006	B6244	36638	Nut U5589 M10 Stainless Steel for 44006	D0137X
16902	Ring El.Benzing 8 for 44006	A5406	23646	Sharpener Pivot Ferrule for 44006	B6256	19642	Nut M8 for 44006	D0155X
17281	Ring El.Seeger Ext.25 for 44006	A5453	77552	Bushing for Plate for 44006	B6332	36643	Nut U5588 M5 for 44006	D0160
77585	Ring El.Seeger Est.25 Ser.Heavy for 44006	A5454	77503	Bushing DU 12x14x30 Inox for 44006	B6336	36645	Normal Nut U5588 M4 for 44006	D0161
77586	Ring El.Seeger Int.52 for 44006	A5485	62431	Pusher Arm for 44006	B7823	36646	Nut U5588 M6 Stainless Steel for 44006	D0163X
19612	Ring 33 for 44006	A5495	62414	Carriage Plate for 44006	C1857	36647	Nut U5588 M8 for 44006	D0165
17283	Oil Seal 25x52x10 for 44006	A5809	77605	Assy Wiring 6 Poles LG.400 for 44006	C3236	36648	Nut U5588 M8 for 44006	D0165X
77601	Oil Seal OR 2010 for 44006	A5848	78287	Power Cord 230/50 for 44006	C3290	36649	Nut U5588 M10 Stainless Steel for 44006	D0167X
17287	O-Ring 123 17.86x2.62 for 44006	A5852	62415	Cavo (Rotoli) FROR 450/750V 4x1 for 44006	C3293	36651	Sharpener Support Nut for 44006	D0183
77602	O-Ring OR 4500 for 44006	A5857	36601	Rivet 1.9x5 for 44006	C4640	19648	Knife Spacer for 44006	D5602
77603	O-Ring 2037 9,25x1,78 for 44006	A5861	36607	Blade Cover Bolt Keeper 14x14 for 44006	C5007	17341	Spacer D.10.5x14 H.9 for 44006	D5643
77604	O-Ring 2056 14x1,78 for 44006	A5862	36608	Capacitor 8 MF 400V for 44006	C5806A	36661	Carriage Shock Absorber Spacer for 44006	D5762
77547	Pin Stop Ring for 44006	A5921	36609	Capacitor 20µF 250V for 44006	C5814	62433	Spacer Handle Pusher for 44006	D575041
77502	Shaft Sealing Ring Ø98x42 for 44006	A5946	74403	Connector Faston 2Poles Male for 44006	C6010	36665	Locknut Spacer for 44006	D577018
36544	Carriage Rod for 44006	B1010A	77607	Connector BM00219 for 44006	C6023	77519	Spacer Eccentrico for 44006	D577141
62419	Tray Rod for 44006	B1037	77608	Three-Phase CE Connector 3x16A for 44006	C6080	17345	Cam Bearing for 44006	E1458
36548	Shock Absorber Bar 12x170 for 44006	B1251	77609	Connettore Spina Monofase 2x16A CEE for 44006	C6081	36677	H-C Cam Pin for 44006	E1460
62420	Plate Rod for 44006	B1255	77610	Box Cover for P.C. Board for 44006	C6446	77590	Cam for Sharpener for 44006	E1461
16904	Bushing Sharpener for 44006	B6048	36614	Cover Anter.Motor (Diam.135) for 44006	C6464	62413	Cam for Sharpener for 44006	E1462
16905	Bushing DU 16x18x15 for 44006	B6053	36615	Back Motor Cover for 44006	C6466	77558	Eccentric for 44006	E1471
17304	Bushing for 44006	B6056	62427	Motor Fan Cover Diam.110 for 44006	C6572	19564	Cam 25mm for 44006	E1474
17305	Bushing DU 18x20x15 for 44006	B6057	36617	Motor Fan Cover for 44006	C6573	62416	Eccentrico Gamma Corsa 16mm for 44006	E1489
19514	Bushing Guard A310 for 44006	B6061	19534	Housing Sharpener for 44006	C6807	36680	Carriage Felt for 44006	F1606
16906	Bush Sharpening for 44006	B6075	19535	Rack for 44006	C7241	77614	Nylon Cable Tie (Diam.45x200) for 44006	F2815
16907	Bush Sharpening for 44006	B6076	17334	Bearing 2Z-6205 25x52x15 for 44006	C8011	36682	Unhook Friction Clasp 12x22x8 for 44006	F3015
17307	Bushing Sharp. for 44006	B6083	17335	Bear.2RS-6203 17x40x12 for 44006	C8022	77591	Suppor Blade Flange for 44006	F6039
19630	Bushing Fastener for 44006	B6104B	16925	Bearing 2RS-6204 20x47x14 for 44006	C8024	36686	Handling Flange for 44006	F609076
78265	Bushing, Funnel for 44006	B6110	36630	Bearing 5x16x6.5 for 44006	C8035	17351	Locknut for 44006	G5018
77550	Bushing DU 10x12x10 for 44006	B6111	36631	Bearing 2RS-6205 25x52x15 for 44006	C8056	36689	Stainless Steel Locknut M8 for 44006	G5027
77588	Bushing Fastener Guard Knife A310 A for 44006	B6140	16926	Bearing 2RS-6000 (10x26x8) for 44006	C8067	36691	Ring for Bushing for 44006	G5053
17312	Bushing 22x25x20 for 44006	B6211	36591	Carriage Support for 44006	C185404	36692	Ring for Cam for 44006	G5054
36563	Carriage Bushing for 44006	B6213	19637	Nut M3 for 44006	D0101	36695	Ring Support Cap for 44006	G5055
36564	Bushing for Carriage Support lg.23mm for 44006	B6214	77504	Stainless Steel Nut U5587 M4 for 44006	D0102X	77559	Plate Bar Supp. Ring 250/273 for 44006	G5056

Parts Breakdown

Model MS-IT-0313-H 44006

Item No.	Description	Position	Item No.	Description	Position	Item No.	Description	Position
62422	Index Locknut M4 2 P1 for 44006	G5063	19796	Plastic Shock for 44006	P1031	62429	Pivot Sharpener for 44006	P320561
36697	Logging Lock Nut for 44006	G5064	17392	PL.Shock Absorb 8.5x20 for 44006	P1034	17419	Pin Truing for 44006	P322601
77615	Assy P.C.B. C-H-M for 44006	I1675	36762	Rubber Plug for 44006	P1053	62428	Pivot Blocco Plate for 44006	P344016
17352	Touch Pad - Start/Stop Push Button for 44006	I1680	77562	Shock Absorber for 44006	P1054	77537	Ecc. Locking Plate for 44006	P486081
19580	Handle TS8 for 44006	I1907	16955	Shock Absorber for 44006	P1059	19657	Washer 4 for 44006	R6003
17356	Fastener Handle for 44006	I1926	77563	Shock Absorber for 44006	P1065	19659	Washer 8 for 44006	R6006
36705	Adjustment Knob for 44006	I1970A	17395	Shock Absorber for 44006	P1081	19661	Washer 8 for 44006	R6030
36708	Assy Index Knob for 44006	I1990A	77616	Strain Relief for 44006	P2004	78258	Washer 30.5x46.5x0.6 for 44006	R6251
17363	End Grip Handle for 44006	I2040	77617	Strain Relief for 44006	P2009	19665	Washer for 44006	R6260
36714	Blade Cover Handling for 44006	I2058	74413	Cable Sheath Cavoflex 60cm for 44006	P2011	19666	Washer for 44006	R6280
36717	Knob Assy for 44006	I2098	36778	Wire-Press for 44006	P2014	19667	Washer 12x17x2 for 44006	R6281
17364	Nylon Gear DP 56, 80, Z29 for 44006	I2404	36779	Core - Hitch + Nut for 44006	P2015	36880	Washer U6592 3 for 44006	R6504
37808	Handle Carriage for 44006	I203576	36780	Wire Pusher for 44006	P2017	17455	Washer U6592 4 for 44006	R6505
77520	Magnet Ø8x25 for 44006	M0819	19811	Pin Sharpener for 44006	P3205	36881	Washer U6593 5 (5.5x15x1.2) for 44006	R6507
36737	Grinding Stone C for 44006	M6602	17416	Pin Sharpener for 44006	P3207	36883	Washer U6592 6 Stainless Steel for 44006	R6512X
36739	Honing-Finishing Stone for 44006	M6621	36782	Pin.Grinding for 44006	P3225	16968	Washer U65928 for 44006	R6520
36741	Spring 2.9x4x12 Stainless Steel for 44006	M7001	36790	Assy Honing Stone Pin for 44006	P3381	36884	Washer U6592 8 Stainless Steel for 44006	R6520X
17377	Spring 8.5x1.0x25 SS for 44006	M7013	19825	Pin Support Meat Grip for 44006	P3394	19668	Washer 10 for 44006	R6530
17379	Spring 11.9x0.7x27 SS for 44006	M7029	36793	Pin.Handle for 44006	P3430	36885	Washer U6592 10 Stainless Steel for 44006	R6530X
17380	Spring 13.4x1.3x30 SS for 44006	M7030	62430	Pivot Supporto Anello Paralama for 44006	P3449	17458	Contact Washer for 44006	R6806
19776	Spring 14x1.5x60 for 44006	M7032	17426	Assy Honing Stone Pivot for 44006	P3458	36888	Washer 8x24x2 for 44006	R6810
19782	Spring 19.5x1.5x16.7 for 44006	M7050	23645	Sharpener Pivot for 44006	P3528	36889	Washer 10.5x16x1 for 44006	R6816
17381	Spring 22.5x1.8x18 for 44006	M7052	77511	Pin Deflector for 44006	P3653	17460	Washer 34.2x46x0.5 for 44006	R6846
19250	Spring 24.8x1.8x15 for 44006	M7071	77565	Pivot Pusher for 44006	P3654	77595	Washer 44.5x51.5x0.2 for 44006	R6848
36746	Spring 7x0.8x23 Cam for 44006	M7076	77524	Pin for Protec.Support L35S for 44006	P3656	77540	Washer 6,2x14x0,6 for 44006	R6854
19248	Spring 15.6x20x2.2 for 44006	M7120	77594	Assy Driving Pivot T8093 for 44006	P3697	77596	Switch Washer A310 for 44006	R6864
36749	Carriage Bar Spring 25-28-1.5 for 44006	M7121	36808	Tray for 44006	P4420A	36892	Washer 17x30x4 for 44006	R6874
78283	Screw for 44006	M7132	36811	Tray for 44006	P4441A	16972	Washer 5.5x19x2.5 for 44006	R6884
62424	Motor 230-50 H for 44006	M8240	19831	Gauge Plate Flat Bar VS for 44006	P4621	36897	Special Washer 5.5x22x1.5 for 44006	R6932
62426	Motor EL.400-50 H (Tubo Alett.110) for 44006	M8241	16961	Foot for 44006	P5008	62432	Rotor (A3105 P2520) KG.1.80 Each for 44006	R8019
62425	Motor 240/50/1 for 44006	M8242	19655	Meat Grip Stud H for 44006	P7420	78261	Rotor (A3109 P2521) Stator H.50 for 44006	R8021
62423	Motor 120-60 (Tubo Alett.110) for 44006	M8244	77539	Stud Plate M8x25x35 for 44006	P7474	16973	Plate Wheel D.25x9.5 for 44006	R8520
17383	Motor (New Style) for 44006	M8256	36854	Thumb Protection for 44006	P7854	77618	Washer U6592 4 Stainless Steel for 44006	R650515
62411	Motor for 44006	M8259	78282	Lock Washer for 44006	P8620	77512	Washer 8,5x18x2 for 44006	R652215
19791	Oiler for 44006	O4040	62421	Sharpener Operating Handle for 44006	P8625	19680	Ball 3 17 for 44006	S3005
36759	Rubber Schock Absorber 12x19x2 for 44006	P1012	78284	Bracket for 44006	P8626	17465	Ball 4.76 for 44006	S3015
36760	Pin Tray Shock-Absorber for 44006	P1025	36761	Shock Absorber for 44006	P103401	77622	P.C.B. 230-50 C-H (CE) for 44006	S3221

Parts Breakdown

Model MS-IT-0313-H 44006

Item No.	Description	Position	Item No.	Description	Position	Item No.	Description	Position
77623	Scheda Elettrica 400-50 C-H (CE) for 44006	S3223	77628	Switch Overlay for 44006	T1760	37067	Screw TE U5739 M5x20 for 44006	V6423
77624	P.C. Board 230-50 H (CE) for 44006	S3227	62438	Tirante Paralama G35N-G37N for 44006	T5071	37074	Screw TE U5739 M8x30 Stainless Steel for 44006	V6462X
77625	P.C.B. 230-24V/50 for 44006	S3228	62418	H Motor Fastener for 44006	T5157	17497	Screw TSP U6109 M5x15 Stainless Steel for 44006	V7014X
77626	P.C.B. 230V/50HZ for 44006	S3269	42974	Tie Rod for 44006	T5191	17498	Screw TSPEI U5933 M4x10 for 44006	V7043
77627	P.C.B. 24V C.C.GL"CE" for 44006	S3291	62439	Tubetto per Eccentrico for 44006	T9699	19713	Screw Sharpener for 44006	V7710
77541	Index Arm for 44006	S3802	62417	Fan Int90 for 44006	V4005	37091	Screw H for 44006	V7730
77542	Cylindrical Pin U1707 8x35 Stainless Steel for 44006	S7432	37013	Motor Fan MEC80 148x16 for 44006	V4014	17503	Screw M5x13 for 44006	V7908
36920	Pin 4x25 for 44006	S7526	37018	Screw STTC U6113 M6x6 for 44006	V6010	19715	Screw Sharpener for 44006	V7910
36924	Pin M.E.U6875 6x30 for 44006	S7546	37021	Screw for 44006	V6030	19717	Screw M6x50 for 44006	V7917
77569	Pin U7586 6x30 for 44006	S7570	37023	Screw STEI U5929 M5x5 for 44006	V6065	19917	Screw BS for 44006	V7960
17476	Foot Support Pin D.10 M8 L.37 for 44006	S7595	19691	Grub Screw M6x6 for 44006	V6066	37095	Screw for Rod 6x13 for 44006	V7993A
77526	Pin Ø8x23 for 44006	S7608	37024	Screw STEI U5929 M6x6 for 44006	V6066X	19724	Screw H for 44006	V8001
77570	Lock Pin for Carr. Plate Rotation for 44006	S7618	19692	Screw M6x8 for 44006	V6067	16987	Special Screw M6x15 for 44006	V8020
77571	Lock Pin Pusher Arm for 44006	S7623	19694	Screw M8x10 for 44006	V6075	37102	Screw M6x20 for 44006	V8035
62435	Stator 230-50 H (Tubo Alettato) for 44006	S8527	37029	Screw Stei U5929 M8x20 for 44006	V6079	19920	Screw M8x30 for 44006	V8036
62437	Statore 400-50 H (Tubo Alettato) for 44006	S8528	19697	Screw M5x16 for 44006	V6211	37104	Threaded Stud for 44006	V8042
78259	Stator 230/50-60 for 44006	S8529	19700	Screw M6x16 for 44006	V6240	77580	Stainless Steel Screw M8x16 for 44006	V8051
62436	Statore 120-60 H (Tubo Alettato) for 44006	S8561	77598	Stainless Steel Screw TCEI U5931 M6x20 for 44006	V6245X	37113	Screw for Carr. Index M8x25 for 44006	V8099
19870	Stator 120/60 for 44006	S8562	37042	Screw TCEI U5931 M8x25 for 44006	V6254	77581	Special Screw M10x18 for 44006	V8103
62434	Stator 220-60 for 44006	S8568	19704	Screw M10x16 for 44006	V6262	77582	Special Screw Ø8x15 for 44006	V8104
77597	Washer Bracket A310 for 44006	S9009	77530	Screw TCEI U5931 M10x30 for 44006	V6264	77532	Special Screw M8x40 for 44006	V8121
62412	Blade Ring Guard Support for 44006	S9181	19706	Screw for 44006	V6278	26127	Stud C Model for 44006	V602115
77572	Bracket for Plate Rod for 44006	S9188	37050	Screw TC AUT.D7971 4.2x9 for 44006	V6285	62440	Vite STEI U5923 M10x30 Inox for 44006	V608015
19181	Bracket Support for 44006	S9192	77599	Screw TC AUT.D7981 4.2x16 for 44006	V6292	77630	Stainless Steel Screw TCEI U5931 M4x12 for 44006	V634415
24158	Pusher Rod Support for 44006	S9226	77629	Screw TBTC AUT.U6954 4.2x13 for 44006	V6296	77578	Stainless Steel Screw TE U5739 M8x14 for 44006	V645715
77574	Hand Grip Support for 44006	S9434	77600	Screw TBTC AUT.U6954 3.9x32 for 44006	V6297	37077	Screw TSP U6109 M4x6 Inox for 44006	V700615
77620	Control Box for I1680 P.C.B. for 44006	S100481	19913	Screw M8x45 for 44006	V6331	37083	Locking Screw-Support H-C (CE) for 44006	V705016
77621	Electr. Equipment Box for 44006	S100484	37058	Stainless Steel Screw M4x8 for 44006	V6370	37085	Screw 8x25 for 44006	V705616
19877	Rubber Cap for 44006	T1001	37059	Stainless Steel Screw M4x14 for 44006	V6371			
19883	Label Oil for 44006	T1690	77546	Screw TE U5737 M6x15 Stainless Steel for 44006	V6421X			