



Gravity Meat Slicers

Models MS-IT-0220-B, 0220-U, 0250-B, 0250-U, 0250-I, 0250-IP,
0275-I, 0275-IP, 0300-B, 0300-U, 0300-I
Items 13610, 13616, 13618, 13620, 13621, 13623, 13625, 13624,
13626, 13628, 21624

Instruction Manual



Revised - 01/18/2018



Toll Free: 1-800-465-0234
Fax: 905-607-0234
Email: service@omcan.com
www.omcan.com

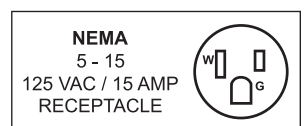


Table of Contents

Model MS-IT-0220-B / Model MS-IT-0220-U / Model MS-IT-0250-B
Model MS-IT-0250-U / Model MS-IT-0250-I / Model MS-IT-0250-IP
Model MS-IT-0275-I / Model MS-IT-0275-IP / Model MS-IT-0300-B
Model MS-IT-0300-U / Model MS-IT-0300-I

Section	Page
General Information -----	3 - 4
Safety and Warranty -----	4 - 6
Technical Specifications -----	6 - 8
Installation -----	8 - 9
Operation -----	10
Maintenance -----	10 - 13
Troubleshooting -----	14 - 15
Instructions Français -----	16 - 27
Parts Breakdown -----	28 - 43
Electrical Schematics -----	44 - 45
Notes -----	46
Warranty Registration -----	47



General Information

Omcan Manufacturing and Distributing Company Inc., Food Machinery of America, Inc. dba Omcan and Omcan Inc. are not responsible for any harm or injury caused due to any person's improper or negligent use of this equipment. The product shall only be operated by someone over the age of 18, of sound mind, and not under the influence of any drugs or alcohol, who has been trained in the correct operation of this machine, and is wearing authorized, proper safety clothing. Any modification to the machine voids any warranty, and may cause harm to individuals using the machine or in the vicinity of the machine while in operation.

CHECK PACKAGE UPON ARRIVAL

Upon receipt of an Omcan shipment please inspect for external damage. If no damage is evident on the external packaging, open carton to ensure all ordered items are within the box, and there is no concealed damage to the machine. If the package has suffered rough handling, bumps or damage (visible or concealed), please note it on the bill of lading before accepting the delivery and contact Omcan within 24 hours, so we may initiate a claim with the carrier. A detailed report on the extent of the damage caused to the machine must be filled out within three days, from the delivery date shown in the shipping documents. Omcan has no recourse for damaged products that were shipped collect or third party.

Before operating any equipment, always read and familiarize yourself with all operation and safety instructions.

Omcan would like to thank you for purchasing this machine. It's of the utmost importance to save these instructions for future reference. Also save the original box and packaging for shipping the equipment if servicing or returning of the machine is required.

Omcan Fabrication et distribution Compañie Limité et Food Machinery d'Amérique, dba Omcan et Omcan Inc. ne sont pas responsables de tout dommage ou blessure causé du fait que toute personne ait utilisé cet équipement de façon irrégulière. Le produit ne doit être exploité que par quelqu'un de plus de 18 ans, saine d'esprit, et pas sous l'influence d'une drogue ou d'alcool, qui a été formé pour utiliser cette machine correctement, et est vêtu de vêtements de sécurité approprié. Toute modification de la machine annule toute garantie, et peut causer un préjudice à des personnes utilisant la machine ou des personnes à proximité de la machine pendant son fonctionnement.

VÉRIFIEZ LE COLIS DÈS RÉCEPTION

Dès réception d'une expédition d'Omcan veuillez inspecter pour dommages externes. Si aucun dommage n'est visible sur l'emballage externe, ouvrez le carton afin de s'assurer que tous les éléments commandés sont dans la boîte, et il n'y a aucun dommage dissimulé à la machine. Si le colis n'a subi aucune mauvaises manipulations, de bosses ou de dommages (visible ou cachée), notez-le sur le bond de livraison avant d'accepter la livraison et contactez Omcan dans les 24 heures qui suivent, pour que nous puissions engager une réclamation auprès du transporteur. Un rapport détaillé sur l'étendue des dommages causés à la machine doit être rempli dans un délai de trois jours, à compter de la date de livraison indiquée dans les documents d'expédition. Omcan n'a aucun droit de recours pour les produits endommagés qui ont été expédiés ou cueilli par un tiers transporteur.

General Information

Avant d'utiliser n'importe quel équipement, toujours lire et vous familiariser avec toutes les opérations et les consignes de sécurité.

Omcan voudrais vous remercier d'avoir choisi cette machine. Il est primordial de conserver ces instructions pour une référence ultérieure. Également conservez la boîte originale et l'emballage pour l'expédition de l'équipement si l'entretien ou le retour de la machine est nécessaire.

Omcan Empresa De Fabricacion Y Distribucion Inc. Y Maquinaria De Alimentos De America, Inc. dba Omcan y Omcan Inc. no son responsables de ningun daño o perjuicio causado por cualquier persona inadecuada o el uso descuidado de este equipo. El producto solo podra ser operado por una persona mayor de 18 años, en su sano juicio y no bajo alguna influencia de droga o alcohol, y que este ha sido entrenado en el correcto funcionamiento de esta máquina, y ésta usando ropa apropiada y autorizada. Cualquier modificación a la máquina anula la garantía y puede causar daños a las personas usando la máquina mientras esta en el funcionamiento.

REVISE EL PAQUETE A SU LLEGADA

Tras la recepcion de un envio Omcan favor inspeccionar daños externos. Si no hay daños evidentes en el empaque exterior, Habra el carton para asegurarse que todos los articulos solicitados estén dentro de la caja y no encuentre daños ocultos en la máquina. Si el paquete ha sufrido un manejo de poco cuidado, golpes o daños (visible o oculto) por favor anote en la factura antes de aceptar la entrega y contacte Omcan dentro de las 24 horas, de modo que podamos iniciar una reclamación con la compañía. Un informe detallado sobre los daños causados a la máquina debe ser llenado en el plazo de tres días, desde la fecha de entrega que se muestra en los documentos de envío. Omcan no tiene ningun recurso por productos dañados que se enviaron a recoger por terceros.

Antes de utilizar cualquier equipo, siempre lea y familiarizarse con todas las instrucciones de funcionamiento y seguridad.

Omcan le gustaría darle las gracias por la compra de esta máquina. Es de la mayor importancia para salvar estas instrucciones para futuras consultas. Además, guarda la caja original y el embalaje para el envío del equipo si servicio técnico o devolución de la máquina que se requiere.

Safety and Warranty

LIMITS OF USE – SAFETY NORMS

These machine were designed and built to slice foodstuff in compliance to the norms of the CE 2006/95/EEC, 93/68/EEC, 2006/42/EEC, 2002/72/EEC, 2004/108 CE, REG 1935/2004/EEC, 2002/95/CE (RoHS) and to the following regulations EN1974, EN ISO12100-1, EN ISO12100-2, EN 294, EN60204-1, EN60335-1, EN60335-2-64.

Safety and Warranty

GENERAL SAFETY REGULATIONS

The slicers must be used only by suitably trained personnel. Furthermore, this personnel must have read this manual carefully. In particular, please comply to the following instructions:

- Install the machine according to the instructions contained in the “Installation” section.
- Do not modify nor exclude the mechanical and electrical safety devices.
- Do not use the machine with improvised connections, or provisional or non insulated cables.
- Check the power cable and gland plate on the machine body regularly and when necessary have them replaced by qualified personnel.
- In case of anomalies, defective operation, incorrect movement, unusual noise, etc stop the machine immediately.
- Before cleaning or servicing, disconnect the machine from the mains.
- Always use scratch-proof and non-slip gloves during cleaning or maintenance.
- Lay or remove the goods to be sliced on the sliding plate only when the latter is completely pushed back and the thickness control knob positioned to 0.
- To move the carriage tray when slicing, use the handle or the product grip handle.
- For extraordinary maintenance (to replace the sharpener wheels, the blade, or others) please contact the manufacturer or qualified and duly authorized personnel.
- Avoid running the slicers with no product on it.
- The slicers are equipped with a ventilated motor. Extended continual use is not recommended. Let the motor cool down after 30 minutes of use.

MANUFACTURER’S WARRANTY AND LIABILITY

The manufacturer’s warranty covering the good functioning of the machines and their compliance to the service for which they have been designed depends on the correct application of the instructions contained in this manual. The Manufacturer assumes no liability either direct or indirect deriving from:

- Failure to comply with the instructions contained in this manual.
- Use of the machine by personnel who has not read or fully understood the content of this manual.
- Use not complying to the specific norms currently applicable in the country of installation.
- Unauthorized modifications and/or repairs.
- Use of non original accessories or spare parts.
- Exceptional events.

ENVIRONMENTAL CONDITIONS OF USE

Temperature: from -5°C and 40°C / 23°F and 104°F.
Relative humidity: max 95%.

OPENING THE BOX

On reception check packaging integrity, otherwise inform the forwarding agent or the area agent immediately. To unpack the machine, proceed as follows:

- Open the box and remove your copy of the manual of use and maintenance, then proceed according to the

Safety and Warranty

instructions found on that manual.

- Lift the machine still wrapped in a transparent polyethylene sheet and extract it from the box.
- Now check the box content and make sure it corresponds to what shown on the external label.

1 YEAR PARTS AND LABOUR BENCH WARRANTY

Within the warranty period, contact Omcan Inc. at 1-800-465-0234 to schedule a drop off to either an Omcan authorized service depot in the area, or to an Omcan Service warehouse to repair the equipment.

Unauthorized maintenance will void the warranty. Warranty covers electrical and part failures, not improper use.

Please see www.omcan.com/warranty.html for complete info.

WARNING:

The packaging components (cardboard, polyethylene, and others) are classified as normal solid urban waste and can therefore be disposed of without difficulty.

In any case, for suitable recycling, we suggest disposing of the products separately (differentiated waste) according to the current norms.

DO NOT DISCARD ANY PACKAGING MATERIALS IN THE ENVIRONMENT!

Technical Specifications

The machine is essentially made of a base supporting a circular blade mounted in a tilted position. This blade is driven by an electrical motor to slice foodstuffs. The machine is equipped with a carriage holding a product tray and sliding on a bar mounted under the base top, parallel to the blade. Slice thickness is adjusted by means of a gauge plate mounted in front of the blade. This plate, against which rests the product to be sliced is moved transversely with respect to the blade by a value corresponding to the desired slice thickness. The product is fed to the machine (towards the gauge plate) by gravity. All the machine components are made of polished and anodically oxidized aluminium alloy, of stainless steel and food grade plastic material. The blade is driven by an electrical motor, transmission is by means of a longitudinally grooved belt. The machine is started and stopped by a control button or switch provided with auxiliary circuit preventing accidental restarts after an outage. Some of the machine models have a user-friendly and safe built-in blade sharpener.

MECHANICAL AND ELECTRICAL SAFETY DEVICES

The following mechanical safety devices were installed:

- A series of aluminium and transparent plastic guards on the product carriage.

Technical Specifications

On request the following are available:

- Safety micro-switch preventing the motor from starting when the blade guard is removed.

WARNING: RESIDUAL RISKS

Notwithstanding all the possible cautions taken during the design and the construction of the machine, residual risks (cutting) still exist during use or during cleaning or maintenance. Therefore be careful and **PAY THE UTMOST ATTENTION** to what you are doing. **DO NOT** use the machine if you are not in perfect psychological and physical conditions. **DO NOT ALLOW** anyone near the machine when it is in use. **ALWAYS** wear gloves that can resist cuts or tears when cleaning, lubricating or sharpening the blade. Slice only the products mentioned as sliceable. **NEVER** try to slice products that have been mentioned as non sliceable.

ACCESSORIES

If not otherwise defined at the moment of order, the machines are supplied together with the following:

- EU conformity declaration;
- Instructions manual for installation, use and maintenance.

PRODUCTS THAT CAN BE SLICED

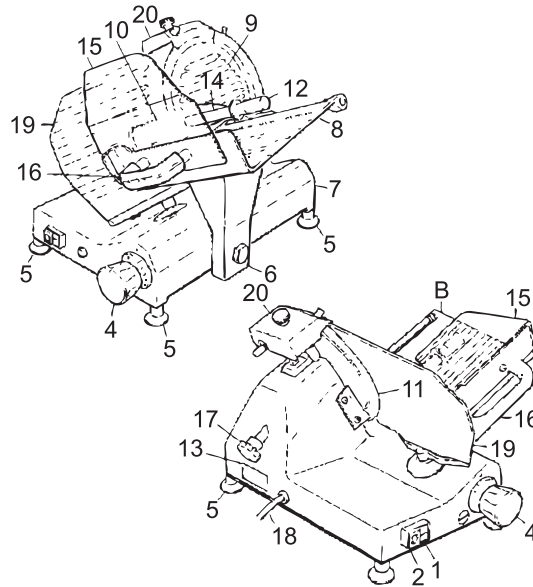
- All types of cold cuts (raw, cooked, smoked).
- Meat without bone (raw or cooked, at a temperature not less than + 3 °C).
- Vegetables (all types).

PRODUCTS THAT MUST NOT BE SLICED:

- Frozen or deep-frozen food.
- Food containing bones (meat or fish).
- Any other non-food product.
- Cheese.

Technical Specifications

MAIN COMPONENTS



1. Startup Button (White or Green)	2. Stop Button (Black or Red)	3. N.A.	4. Slice Thickness Control Knob
5. Adjustable Foot	6. Carriage Tray Support	7. Base	8. Product Tray
9. Blade Plate	10. Product Grip	11. Blade	12. Product Grip Handle
13. Manufacturer Identification Plate, Machine Data and UE Marks	14. Pusher Plate Extension	15. Product Tray Hand Protection	16. Product Tray Handle
17. Blade Plate Tie-Rod	18. Supply Cord	19. Gauge Plate	20. Sharpener

Illustrations may differ from actual machines.

Installation

INSTALLING THE MACHINE

Position the machine on a well leveled, smooth and dry top suitably dimensioned to withstand the machine weight.

ELECTRICAL CONNECTION

Install the machine near a compliant outlet derived from a system meeting the local norms.

The user is responsible for ascertaining that the electrical system is suitably dimensioned and functions correctly (supply line, outlet, distribution panel, differential protecting breaker, grounding).

Before carrying out the connection ascertain that the mains characteristics correspondent to those indicated on the machine plate.

COMMANDS

START AND STOP BUTTONS / SWITCHES

- Turn switch or press the white or green button (1) to start running the blade.
- The light turns on to indicate that the machine works correctly.
- Turn switch or press the red or black button to stop the blade.

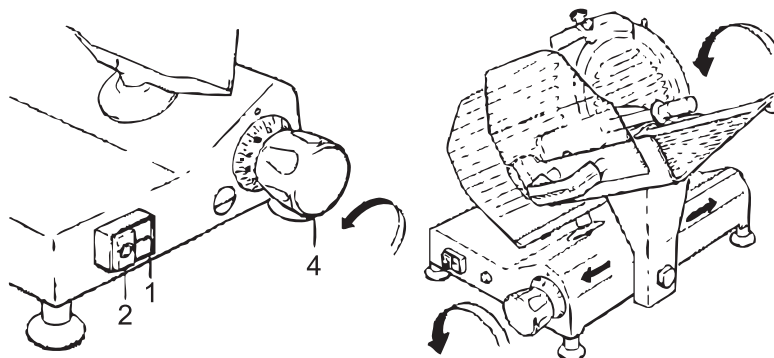
Slice thickness can be adjusted by turning the graduated knob (4) counterclockwise.

Thickness adjustment range: see paragraph "Technical description and conditions of use".

FUNCTIONING TEST AND BLADE ROTATION DIRECTION

Start the machine and check whether the light is on; make sure that the blade rotates in the direction indicated by the arrow (counterclockwise if you look at the machine from the blade plate side).

- Ascertain that the carriage and the product grip slide correctly.
- Ascertain that the gauge plate works and adjust thickness to desired value.

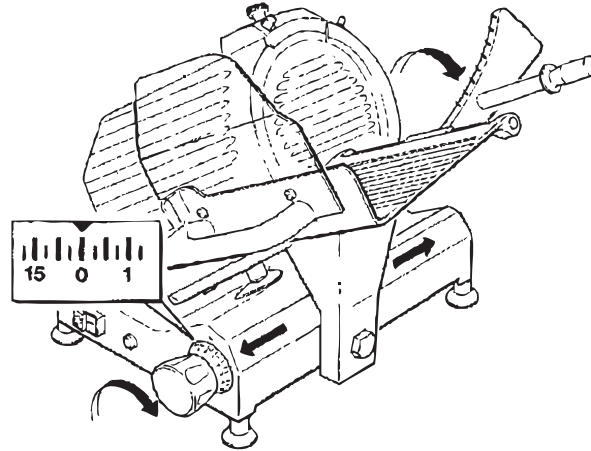


Operation

USING THE MACHINE

LOADING THE PRODUCT ON THE TRAY AND SLICING

- Ascertain that the thickness control knob is correctly positioned to '0'.
- Draw back the carriage completely (towards the operator) to loading position.
- Lift the product grip by pulling it away by 10 cm from the blade and put it in rest position.
- Lay the product to be sliced against the guide plate on the operator side.
- Secure by means of the product grip by exerting a slight pressure.
- Adjust the thickness gauge. Start the blade by turning the switch or by pressing on the white or green button.
- Grip the handle affixed onto the plate and start the forward and backward cutting movement. The product travels towards the guide plate by gravity.
- When the product weight or its dimensions do not provide a satisfactory cut by effect of the gravity, use the product grip handle.
- When finished, return the thickness control knob to '0' and draw the carriage back.
- Stop the blade by pressing the black or red button.



Maintenance

CLEANING THE SLICER

GENERAL

The machine must always be accurately cleaned **at least once a day**, and more often if necessary. **Always use protective gloves.**

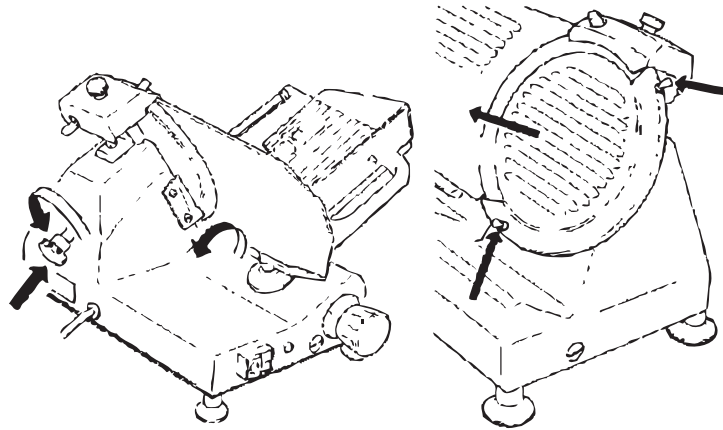
DISASSEMBLING THE MACHINE FOR CLEANING

- Disconnect the plug from the mains.
- Turn the gauge plate knob to '0'.
- Remove the various components as described in the following paragraphs.
- Unscrew (counterclockwise) the blade guard tie-rod.
- If the blade guard is blocked, press on the rod knob to move it a little.
- Extract the rod and remove the blade guard using for this operation only the side knobs.
- Loosen and remove the two fixing screws with knurled head.
- Remove the slice guard.

To clean the machine body and the blade use only a cloth damped with water and biodegradable lathery detergent having 7-8 pH and at a temperature not below 30°C/86°F. Do not clean the machine by using water or vapor sprays or similar systems.

WARNING:

Use scratch-proof and non-slip gloves to carry out the following operations. Proceed carefully and pay attention to what you are doing. **DANGER OF CUTTING!**



REASSEMBLING THE MACHINE

Proceed as indicated for the previous operations but in reverse order.

GENERAL MAINTENANCE

The operator is allowed to perform the following maintenance operations:

- **Blade sharpening:** regularly (intervals and duration obviously depend on the use of the machine, time of use and type of product sliced).
- **Lubrication of carriage sliding guides:** once a week.
- **Lubrication of product grip sliding bar:** once a week.
- **Adjustment of motor belt tension:** as required.
- **Checking the power supply cord conditions and of the gland plate:** from time to time.

Maintenance

WARNING

Maintenance must always be carried out when the **machine is disconnected from the mains** and if no other position is specifically required, with the thickness control knob on '0'.

The following maintenance operations are to be entrusted only to **personnel authorized by the manufacturer**:

- Replacing the blade.
- Replacing the sharpener stones.
- Replacing the motor transmission belt.
- Replacing electrical system components under the machine base.
- Repairing structural parts, repairing the components under the base.

BLADE SHARPENING

Before proceeding, clean the machine accurately as explained in the previous paragraphs.

WARNING

Sharpening can be done only up to 12 mm of the blade diameter value. **Beyond this value, the BLADE MUST BE REPLACED ONLY by personnel AUTHORIZED BY THE MANUFACTURER.**

SHARPENING VERSIONS WITH BUILT-IN SHARPENER

To sharpen the blade periodically as soon as the cutting capacity decreases. Please proceed as per the following instructions:

1. After disconnecting from the mains, clean the blade accurately using denaturized alcohol to degrease it.
2. Loosen the knob and turn the sharpener by 180° and insert the wheels on the slicer blade. Relock the knob.
3. Operate the switch and press the button.
4. Allow the blade to rotate for about 30 to 40 seconds then use the switch to stop it. Brush a pencil lightly on the external side of the blade to check for a slight spud.

We advise performing this operation with the utmost care as the blade is extremely sharp.

5. If some spud is found, operate the switch again for 3 to 4 seconds by pressing the buttons 4 and 5 at the same time.

DO NOT PROLONG THIS OPERATION BEYOND THE FEW SECONDS MENTIONED OTHERWISE THE BLADE EDGE WILL WARP.

6. After completing sharpening, we advise cleaning the wheels using a small brush and alcohol.
7. Now return the sharpener to its original position.

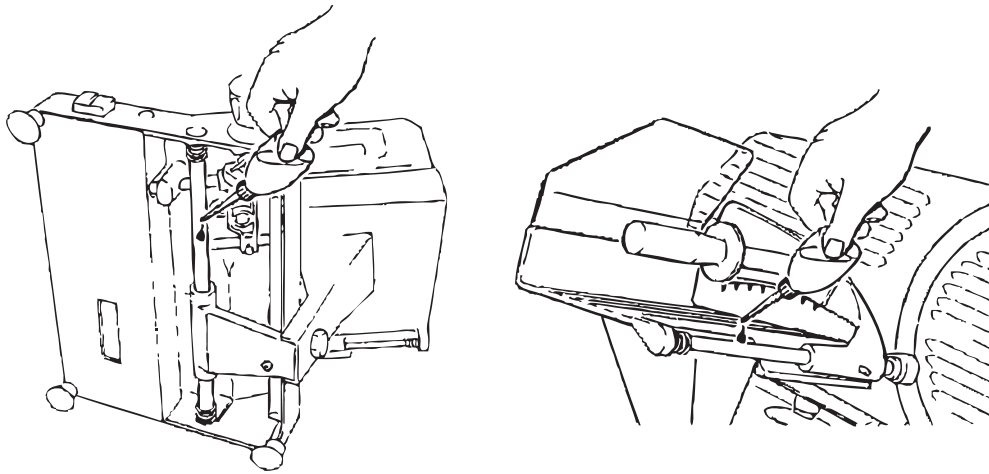
LUBRICATION

Carriage sliding guides product grip (once a week)

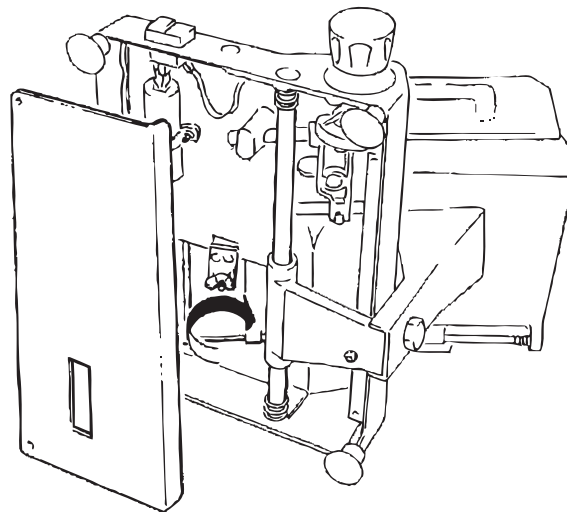
Use only food grade mineral oil, or use white Vaseline oil. **DO NOT USE VEGETABLE OILS.**

- Spread a small quantity of oil on the bar and move the assembly 3 or 4 times. Clean as required to remove excess of oil.

ADJUSTING THE MOTOR BELT TENSION



After a given period of service an unusual noise may occur because of the belt bedding. In this case, tighten the belt-stretcher on the side of the motor under the machine base.



Troubleshooting

The table below indicates the most common problems that may arise during slicing and the necessary remedies.

PROBLEM	POSSIBLE CAUSE	REMEDY
The machine does not start when the white or green button is pressed.	No power supply.	Ascertain that the plug is correctly inserted.
	The blade guard is not correctly positioned.	Check.
	Defective electrical control circuit.	Call technical assistance.
When the switch is turned or when the white or green button is pressed, the machine starts, but the white functioning light is not on.	Defective indicator.	Do not use the machine when the pilot lamp is not on; Call technical assistance.
The machine starts, but there are vibrations. The motor is very hot and there is a bad smell.	Defective motor or transmission.	Do not use the machine, call technical assistance.
Under strain, the machine slows down or comes to a stop.	Defective transmission.	Call technical assistance.
Excessive resistance to product slicing.	The blade is blunt.	Sharpen the blade.
The slices are ragged and/or shaped irregularly.	The blade is blunt.	Sharpen the blade.
	The blade is excessively worn out.	Call technical assistance.
Unsatisfactory blade sharpening.	Worn wheels.	Replace the wheels; call technical assistance.
The product tray does not slide.	Guides are insufficiently lubricated.	Lubricate.
When the switch is turned or when the black or red button is pressed, the machine does not stop.	Defective electrical control circuit.	Stop the machine, unplug from mains and call technical assistance.

DISMANTLING THE SLICER

These machines are made of the following elements:

- Aluminium frame.
- Stainless steel fittings and others.
- Electrical parts and cords.
- Electrical motor.
- Plastic materials, etc.

Whether dismantling is entrusted to third parties or done in-house (in that last case you will have to separate the various materials) please note that disposal of the materials can only be carried out by duly authorized businesses. In any case, please comply to the current norms of your country.

Troubleshooting

WARNING

In any case, to remove the blade and dispose of it, you must contact the manufacturer or personnel duly authorized by the manufacturer. NEVER DISPOSE OF WASTE IN AREAS WHERE ACCESS IS NOT DELIMITED BY BARRIERS AND FORBIDDEN BY WARNING SIGNS AS THIS WASTE REPRESENTS A SERIOUS DANGER, ESPECIALLY FOR CHILDREN AND ANIMALS. ANY RESPONSIBILITY ARISING OUT OF INCORRECT DISPOSAL FALLS ON THE OWNER.

REFERENCE

Item Number	Model Number	Description	Manufacturer Model Number
13610	MS-IT-0220-B	Meat Slicer Belt Driven 9" / 220mm Blade 0.25 HP / 186 W 120V/60/1 CE ETL Sanitation	220F
13616	MS-IT-0220-U	Meat Slicer Belt Driven 9" / 220mm Blade 0.25 HP / 186 W 120V/60/1 cETLus/ETL	220AFUL
13618	MS-IT-0250-B	Meat Slicer Belt Driven 10" / 250mm Blade 0.3 HP / 224 W 120V/60/1 CE ETL Sanitation	250E
13620	MS-IT-0250-U	Meat Slicer Belt Driven 10" / 250mm Blade 0.3 HP / 224 W 120V/60/1 cETLus/ETL	F250E
13621	MS-IT-0250-I	Meat Slicer Belt Driven 10" / 250mm Blade 0.35 HP / 261 W 110V/60/1	250F
13623	MS-IT-0250-IP	Meat Slicer Belt Driven 10" / 250mm Blade 0.25 HP / 186 W 120V/60/1	250R
13625	MS-IT-0275-I	Meat Slicer Belt Driven 11" / 275mm Blade 0.35 HP / 261 W 110V/60/1	275F
13624	MS-IT-0275-IP	Meat Slicer Belt Driven 11" / 275mm Blade 0.3 HP / 224 W 110V/60/1	275E
13626	MS-IT-0300-B	Meat Slicer Belt Driven 12" / 300mm Blade 0.35 HP / 261 W 120V/60/1 CE ETL Sanitation	300E
13628	MS-IT-0300-U	Meat Slicer Belt Driven 12" / 300mm Blade 0.35 HP / 261 W 120V/60/1 cETLus/ETL	F300E
21624	MS-IT-0300-I	Meat Slicer Belt Driven 12" / 300mm Blade 0.35 HP / 261 W 110V/60/1	300R

Instructions Français

SÉCURITÉ ET GARANTIE

LIMITES D'UTILISATION - NORMES DE SÉCURITÉ

Les machines ont été conçues et construites pour trancher des produits alimentaires en conformité aux normes de la CE 2006/95 / CEE, 93/68 / CEE, 2006/42 / CEE, 2002/72 / CEE, 2004/108 CE, REG 1935/2004 / CEE, 2002/95 / CE (RoHS) et les règlements suivants EN1974, EN ISO12100-1, EN ISO12100-2, EN 294, EN 60204-1, EN60335-1, EN60335-2-64.

RÈGLES DE SÉCURITÉ

Les trancheuses doivent être utilisées que par un personnel qualifié. En outre, ce personnel doit avoir lu attentivement ce manuel. En particulier, s'il vous plaît respecter les instructions suivantes:

- Installez la machine selon les instructions contenues dans la section «Installation».
- Ne pas modifier ni exclure les dispositifs de sécurité mécaniques et électriques.
- Ne pas utiliser la machine avec des connexions électriques, câbles provisoires ou non isolés.
- Vérifiez le câble d'alimentation et la plaque de la glande sur le corps de la machine régulièrement et si nécessaire de les remplacer par du personnel qualifié.
- En cas d'anomalies, d'un fonctionnement défectueux, mouvement incorrecte, un bruit inhabituel, etc arrêter immédiatement la machine.
- Avant le nettoyage ou d'entretien, débranchez l'appareil du secteur.
- Toujours utiliser des gants anti-rayures et anti-dérapantes lors du nettoyage ou de la maintenance.
- Laissez ou supprimer les produits à trancher sur la plaque coulissante seulement lorsque celui-ci est complètement repoussé et le bouton de contrôle de l'épaisseur positionné à 0.
- Pour déplacer le plateau du chariot lors du tranchage, utilisez la poignée ou la poignée de préhension du produit.
- Pour l'entretien extraordinaire (remplacement des meules d'affûtage, la lame, ou autres) s'il vous plaît contacter le fabricant ou du personnel qualifié et dûment autorisés.
- Évitez de faire fonctionner les trancheuses sans produit sur elle.
- Les trancheuses sont équipées d'un moteur ventilé. Utilisation continue prolongée est déconseillée. Laissez refroidir le moteur après 30 minutes d'utilisation.

GARANTIE ET RESPONSABILITÉ DU FABRICANT

La garantie du fabricant couvrant le bon fonctionnement des machines et de leur conformité au service pour lequel ils ont été conçus dépend de l'application correcte des instructions contenues dans ce manuel. Le fabricant décline toute responsabilité directe ou indirecte découlant de:

- Défaut de se conformer aux instructions contenues dans ce manuel.
- L'utilisation de la machine par du personnel qui n'a pas lu ou bien compris le contenu de ce manuel.
- Utilisez ne se conformant pas aux normes spécifiques en vigueur dans le pays d'installation.
- Modifications et / ou réparations non autorisées.
- L'utilisation d'accessoires non d'origine ou des pièces de rechange.
- Événements exceptionnels.

Instructions Français

CONDITIONS D'UTILISATION DE L'ENVIRONNEMENT

Température: de -5 ° C et 40 ° C / 23 ° F et 104 ° F.

Humidité relative: 95% max.

OUVERTURE DE LA BOÎTE

A la réception contrôle d'intégrité de l'emballage, sinon informer le commissionnaire de transport ou de l'agent de zone immédiatement. Pour déballer la machine, procéder comme suit:

- Ouvrez la boîte et à retirer votre copie du manuel d'utilisation et d'entretien, puis procéder selon les indications contenues dans le manuel.
- Soulever la machine encore enveloppé dans une feuille de polyéthylène transparent et l'extraire de la boîte.
- Maintenant, vérifiez le contenu de la boîte et assurez-vous qu'il correspond à ce qui figure sur l'étiquette externe.

1 AN PIÈCES ET TRAVAIL BANC GARANTIE

Dans la période de garantie, contacter Omcan Inc. au 1-800-465-0234 pour planifier une déposer soit un dépôt Omcan de service autorisé dans la zone, ou à un entrepôt de service Omcan de réparer l'équipement.

Entretien non autorisée annulera la garantie. La garantie couvre les pannes électriques et de pièces, pas une mauvaise utilisation.

S'il vous plaît voir www.omcan.com/warranty.html pour info complète.

ATTENTION:

Les matériaux d'emballage (carton, de polyéthylène et autres) sont classés comme déchets solides urbains normale et peuvent donc être éliminés sans difficulté.

En tout cas, pour le recyclage approprié, nous suggérons au rebut des produits séparément (différenciée des déchets) selon les normes actuelles.

NE PAS JETER MATÉRIAUX D'EMBALLAGE DANS L'ENVIRONNEMENT!

SPÉCIFICATIONS TECHNIQUES

La machine se compose essentiellement d'une base supportant une lame circulaire montée en position inclinée. Cette lame est entraînée par un moteur électrique pour trancher des produits alimentaires. La machine est équipée d'un chariot tenant un plateau de produits et de coulissement sur une barre montée sous le plateau de base et parallèle à la lame. Tranche épaisseur est ajustée au moyen d'une plaque de réglage montée à l'avant de la lame. Cette plaque, contre laquelle repose le produit à trancher est déplacé

Instructions Français

transversalement par rapport à la lame d'une valeur correspondant à l'épaisseur de coupe souhaitée. Le produit est introduit dans la machine (vers la plaque de pression manométrique) par gravité. Tous les composants de la machine sont réalisés en alliage d'aluminium poli et anodisé, d'acier inoxydable et une matière plastique de qualité alimentaire. La lame est entraînée par un moteur électrique, la transmission se fait par l'intermédiaire d'une courroie rainurée longitudinalement. La machine est lancée et arrêtée par un bouton de commande ou un interrupteur fourni avec circuit auxiliaire empêchant un redémarrage intempestif après une coupure de courant. Certains des modèles de machines ont un taille-crayon intégré de la lame et sûr conviviale.

DISPOSITIFS SÉCURITÉ ÉLECTRIQUE ET MÉCANIQUE

Les dispositifs de sécurité mécaniques suivants ont été installés:

- Une série de gardes de plastique transparent et aluminium sur le chariot de produit.

Sur demande, l'suivantes sont disponibles:

- Microcontact de sécurité empêchant le moteur de démarrer lorsque le protège-lame est retiré.

AVERTISSEMENT: RISQUES RESIDUELS

Malgré toutes les précautions possibles prises lors de la conception et de la construction de la machine, les risques résiduels (de coupe) existent encore en cours d'utilisation ou pendant le nettoyage ou l'entretien. Par conséquent être prudent et de payer la plus grande attention à ce que vous faites. NE PAS utiliser la machine si vous n'êtes pas dans des conditions psychologiques et physiques parfaits. Ne laissez personne près de la machine quand elle est en cours d'utilisation. TOUJOURS porter des gants qui peuvent résister à des coupures ou des larmes quand le nettoyage, la lubrification ou affûtage de la lame. Trancher uniquement les produits mentionnés comme tranchable. JAMAIS essayer de couper des produits qui ont été mentionnés comme non tranchable.

ACCESSOIRES

Si pas autrement définis au moment de la commande, les machines sont fournies avec les documents suivants:

- Déclaration de conformité de l'UE;
- Manuel d'instructions pour l'installation, l'utilisation et la maintenance.

PRODUITS QUI PEUVENT ÊTRE TRANCHÉS

- Tous les types de charcuterie (crus, cuits, fumés).
- La viande sans os (crus ou cuits, à une température non inférieure à + 3 ° C).
- Légumes (tous types).

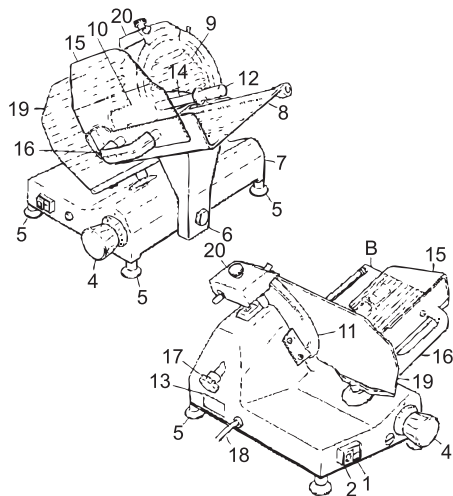
PRODUITS QUI NE DOIT PAS ÊTRE TRANCHÉS:

- Les aliments congelés ou surgelés.

Instructions Français

- Les aliments contenant des os (viande ou poisson).
- Tout produit non alimentaire autre.
- Du fromage.

COMPOSANTS PRINCIPAUX



1. Bouton de démarrage (blanc ou vert)	2. Bouton d'arrêt (noir ou rouge)	3. N.A.	4. Slice contrôle de l'épaisseur Knob
5. Pied réglable	6. Soutien chariot Plateau	7. Base	8. Plateau de produit
9. Plate lame	10. Grip Produit	11. Lame	12. Poignée de produit
13. Plaque d'identification du fabricant, distributeur données et UE Marques	14. Pusher plaque de rallonge	15. Produit Plateau Protection des mains	16. Poignée du tiroir de produit
17. Plate Lame Tie-Rod	18. Cordon d'alimentation	19. Jauge Plate	20. Taille crayon

Les illustrations peuvent différer des machines réelles.

INSTALLATION

INSTALLATION DE LA MACHINE

Placez la machine sur un bien nivelé, supérieure lisse et sec convenablement dimensionnée pour supporter le poids de la machine.

Instructions Français

CONNEXION ÉLECTRIQUE

Installer la machine près d'une prise compatible dérivé d'un système répondant aux normes locales.

L'utilisateur est responsable pour déterminer que le système électrique est convenablement dimensionné et fonctionne correctement (ligne d'alimentation, de sortie, panneau de distribution, disjoncteur différentiel de protection, mise à la terre).

Avant d'effectuer le branchement vérifier que l'alimentation caractéristiques correspondant à celles indiquées sur la plaque de la machine.

COMMANDES

BOUTONS START ET STOP / COMMUTATEURS

- Tourner le commutateur ou appuyez sur le bouton blanc ou vert (1) pour commencer à courir la lame.
- La lumière allume pour indiquer que la machine fonctionne correctement.
- Tourner le commutateur ou appuyez sur le bouton rouge ou noir pour arrêter la lame.

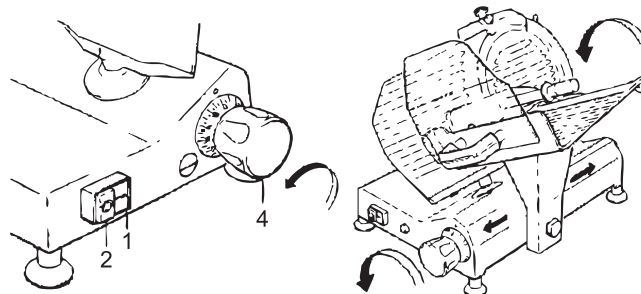
Slice épaisseur peut être ajustée en tournant le bouton gradué (4) dans le sens antihoraire.

Plage de réglage Épaisseur: voir le paragraphe «description et les conditions d'utilisation technique».

ESSAI DE FONCTIONNEMENT ET LAME SENS DE ROTATION

Démarrer la machine et vérifier si la lumière est allumée; assurez-vous que la lame tourne dans le sens indiqué par la flèche (dans le sens antihoraire, si vous regardez la machine du côté de la plaque de la lame).

- Vérifier que le transport et la poignée de produits glissent correctement.
- Vérifier que la plaque de calibrage fonctionne et ajuster l'épaisseur à la valeur souhaitée.



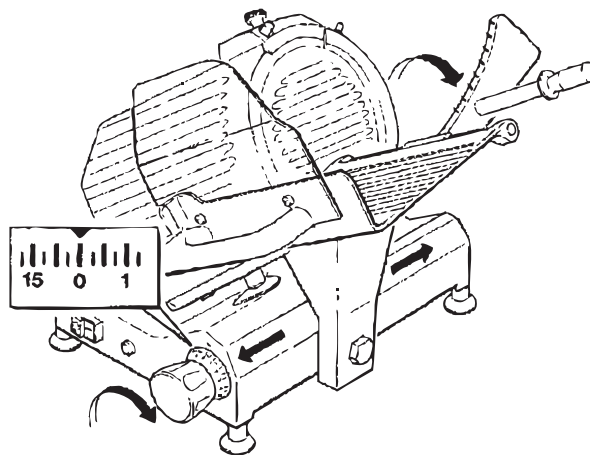
Instructions Français

OPÉRATION

UTILISATION DE LA MACHINE

CHARGEMENT DU PRODUIT SUR LE PLATEAU ET SLICING

- Vérifier que le bouton de commande de l'épaisseur est correctement positionné à '0'.
- Reculer le chariot (vers l'opérateur) à la position de chargement.
- Soulevez la poignée du produit en l'écartant de 10 cm à partir de la lame et le mettre en position de repos.
- Poser le produit à trancher sur la plaque de guidage sur le côté de l'opérateur.
- Fixer au moyen de la prise du produit en exerçant une légère pression.
- Ajuster la jauge d'épaisseur. Lancer la lame en tournant le bouton ou en appuyant sur le bouton blanc ou vert.
- Saisir la poignée fixée sur la plaque et commencer le mouvement de coupe vers l'avant et vers l'arrière. Le produit se déplace vers la plaque de guidage par gravité.
- Lorsque le poids du produit ou de ses dimensions ne fournissent pas une coupe satisfaisante par l'effet de la gravité, utilisez la poignée de préhension du produit.
- Lorsque vous avez terminé, ramener le bouton de contrôle de l'épaisseur à '0' et reculer le chariot.
- Arrêter la lame en appuyant sur le bouton noir ou rouge.



ENTRETIEN

NETTOYAGE DE LA COUPE

GÉNÉRAL

La machine doit être soigneusement effectuée au moins une fois par jour, et plus souvent si nécessaire. Toujours utiliser des gants de protection.

Instructions Français

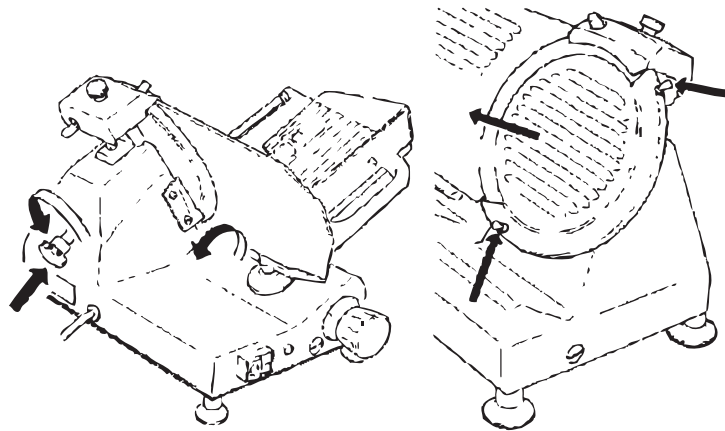
DÉMONTAGE DE LA MACHINE DE NETTOYAGE

- Débrancher la fiche du secteur.
- Tourner la plaque de jauge savent à '0'.
- Retirez les différents composants tels que décrits dans les paragraphes suivants.
- Dévissez (dans le sens antihoraire) le protège-lame tirant.
- Si le protège-lame est bloquée, appuyez sur le bouton de la tige de se déplacer un peu.
- Extraire la tige et retirer la garde de lame à l'aide pour cette opération que les boutons latéraux.
- Desserrer et retirer les deux vis de fixation à tête moletée.
- Retirer la protection de la tranche.

Pour nettoyer le corps de la machine et de l'utilisation de la lame uniquement un chiffon imbibé d'eau et de détergent biodégradable ayant lathery 7-8 pH et à une température pas inférieure à 30 ° C / 86 ° F. Ne pas nettoyer la machine à l'aide de jets d'eau ou de vapeur ou de systèmes similaires.

ATTENTION:

Utilisez anti-rayures et des gants antidérapants pour effectuer les opérations suivantes. Procédez avec précaution et faire attention à ce que vous faites. DANGER DE COUPE!



REMONTÉ LA MACHINE

Procédez comme indiqué pour les opérations précédentes, mais dans l'ordre inverse.

ENTRETIEN GÉNÉRAL

L'opérateur est autorisé à effectuer les opérations de maintenance suivantes:

- **Affûtage de lame:** régulièrement (intervalles et la durée dépend évidemment de l'utilisation de la machine, le temps d'utilisation et le type de produit en tranches).
- **Lubrification des guides de chariot:** une fois par semaine.
- **Lubrification d'adhérence du produit barre coulissante:** une fois par semaine.
- **Réglage de tension de la courroie moteur:** lorsque nécessaire.
- **Vérification des conditions de la moelle de l'alimentation et de la plaque glande:** de temps en temps.

Instructions Français

ATTENTION

L'entretien doit toujours être effectué lorsque la machine est déconnectée du réseau et si aucun autre poste est spécifiquement requise, avec le bouton de contrôle de l'épaisseur sur '0'.

Les opérations de maintenance suivantes doivent être confiés qu'à du personnel autorisé par le fabricant:

- Remplacement de la lame.
- Remplacement des pierres de taille-crayon.
- Remplacement de la courroie de transmission de moteur.
- Remplacement de composants du système électrique sous la base de la machine.
- Réparation des pièces de structure, la réparation des composants sous la base.

AFFÛTAGE

Avant de continuer, nettoyer la machine avec précision, comme expliqué dans les paragraphes précédents.

ATTENTION

Affûtage peut se faire que jusqu'à 12 mm de la valeur du diamètre de la lame. **Au-delà de cette valeur, la lame doit être remplacé que par du personnel autorisé PAR LE FABRICANT.**

AFFÛTAGE VERSIONS AVEC TAILLE-CRAYON INTÉGRÉ

Pour aiguiser la lame régulièrement dès que la capacité de coupe diminue. S'il vous plaît procéder selon les instructions suivantes:

1. Après avoir débranché former le réseau, nettoyer la lame en utilisant de l'alcool dénaturé pour la dégraisser.
2. Desserrez le bouton et tournez l'affûteur de 180 ° et insérer les roues sur la lame de trancheuse. Reverrouiller le bouton.
3. Actionner l'interrupteur et appuyez sur le bouton.
4. Laisser tourner la lame pendant environ 30 à 40 secondes puis utilisez l'interrupteur pour l'arrêter. Badigeonner légèrement un crayon sur le côté externe de la lame pour vérifier si une légère bavure.

Nous vous recommandons d'effectuer cette opération avec le plus grand soin que la lame est extrêmement forte.

5. Si certains de la bavure, actionner l'interrupteur à nouveau pendant 3 à 4 secondes en appuyant sur les boutons 4 et 5 dans le même temps.

NE PROLONGEZ PAS CETTE OPERATION AU-DELÀ DES QUELQUES SECONDES MENTION CONTRAIRE LE BORD DE LAME SE DÉFORMERA.

6. Après avoir effectué l'affûtage, nous vous conseillons de nettoyer les roues à l'aide d'une petite brosse et de l'alcool.
7. Maintenant, retournez l'affûteur à sa position initiale.

Instructions Français

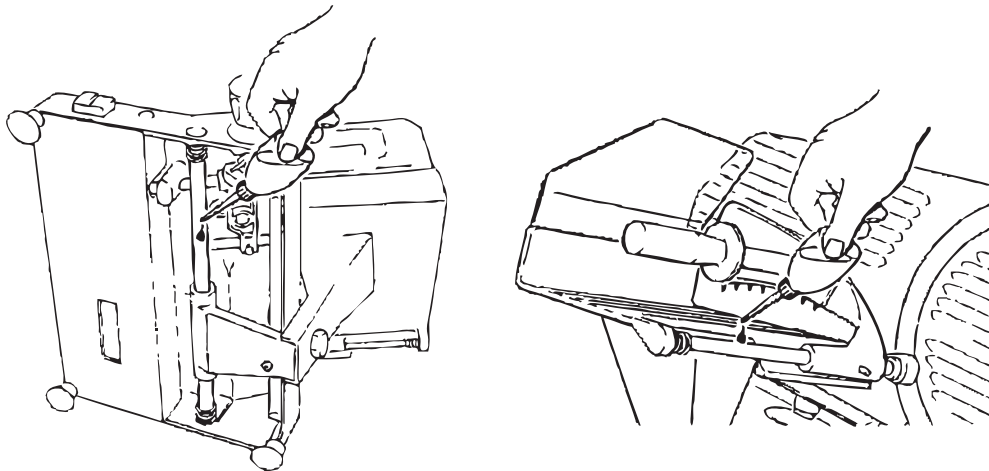
LUBRIFICATION

Carriage glissières produit poignée (une fois par semaine)

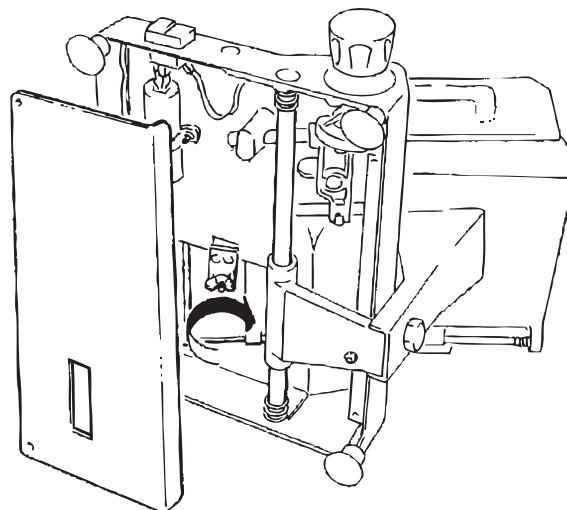
Utilisez uniquement de l'huile minérale de qualité alimentaire, ou utiliser de l'huile blanche de vaseline. **NE PAS utiliser des huiles végétales.**

- Étendre une petite quantité d'huile sur la barre et déplacer l'ensemble 3 ou 4 fois. Nettoyer si nécessaire pour enlever l'excès d'huile.

AJUSTEMENT DE LA TENSION MOTEUR COURROIE



Après une période de service donné un bruit inhabituel peut se produire en raison de la literie de ceinture. Dans ce cas, serrer la ceinture-brancard sur le côté du moteur sous la base de la machine.



Instructions Français

DÉPANNAGE

Le tableau ci-dessous indique les problèmes les plus courants qui peuvent survenir au cours de tranchage et les mesures correctives nécessaires.

PROBLÈME	CAUSE POSSIBLE	REMÉDIER
La machine ne démarre pas lorsque le bouton blanc ou vert est enfoncé.	Pas d'alimentation.	Vérifier que la prise est correctement insérée.
	La garde de lame est pas correctement positionné.	Chèque.
	Circuit de commande électrique défectueux.	Appelez l'assistance technique.
Lorsque le commutateur est activé ou lorsque le bouton blanc ou vert est enfoncé, la machine démarre, mais la lumière de fonctionnement blanc est pas.	Indicateur défectueux.	Ne pas utiliser la machine lorsque la lampe pilote est pas; Appelez l'assistance technique.
La machine démarre, mais il ya des vibrations. Le moteur est très chaud et il ya une mauvaise odeur.	Transmission ou moteur défectueux.	Ne pas utiliser la machine, appeler l'assistance technique.
Sous tension, la machine ralentit ou est à l'arrêt.	Transmission défectueuse.	Appelez l'assistance technique.
Une résistance excessive au produit tranchage.	La lame est émoussée.	Aiguiser la lame.
Les tranches sont en lambeaux et / ou de forme irrégulière.	La lame est émoussée.	Aiguiser la lame.
	La lame est trop usé.	Appelez l'assistance technique.
Insatisfaisant affûtage de la lame.	Roues usées.	Remplacer les roues; appeler l'assistance technique.
Le plateau du produit ne glisse pas.	Guides sont insuffisamment lubrifiés.	Lubrifier.
Lorsque le commutateur est activé ou lorsque le bouton noir ou rouge est enfoncé, la machine ne cesse pas.	Circuit de commande électrique défectueux.	Arrêtez la machine, débranchez le cordon secteur et appeler l'assistance technique.

DEMANTELEMENT DE LA TRANCHEUSE

Ces appareils sont les éléments suivants:

- Armature en aluminium.
- Acier Les raccords en acier et autres.
- Pièces et cordons électriques.
- Moteur électrique.

Instructions Français

- Les matières plastiques, etc.

Que démantèlement est confiée à des tiers ou fait en interne (dans ce dernier cas, vous aurez à séparer les différents matériaux) s'il vous plaît noter que l'élimination des matériaux ne peut être effectuée par des entreprises dûment autorisées. En tout cas, s'il vous plaît conformer aux normes en vigueur dans votre pays.

ATTENTION

En tout cas, pour enlever la lame et en disposer, vous devez contacter le fabricant ou le personnel dûment autorisés par le fabricant. Ne jetez jamais les déchets dans les zones où l'accès est PAS délimitée par les barrières et interdits par des panneaux d'avertissement ces déchets représente un grave danger, NOTAMMENT POUR ENFANTS ET DES ANIMAUX. AUCUNE RESPONSABILITÉ DÉCOULANT HORS DE élimination incorrecte tombe sur LE PROPRIÉTAIRE.

RÉFÉRENCE

Numéro d'article	Numéro de modèle	La description	Numéro du fabricant Modèle
13610	MS-IT-0220-B	Ceinture de trancheuse à viande entraînée 9" / 220mm lame 0.25 HP / 186 W 120V/60/1 CE ETL Sanitation	220F
13616	MS-IT-0220-U	Ceinture de trancheuse à viande entraînée 9" / 220mm lame 0.25 HP / 186 W 120V/60/1 cETLus/ETL	220AFUL
13618	MS-IT-0250-B	Ceinture de trancheuse à viande entraînée 10" / 250mm lame 0.3 HP / 224 W 120V/60/1 CE ETL Sanitation	250E
13620	MS-IT-0250-U	Ceinture de trancheuse à viande entraînée 10" / 250mm lame 0.3 HP / 224 W 120V/60/1 cETLus/ETL	F250E
13621	MS-IT-0250-I	Ceinture de trancheuse à viande entraînée 10" / 250mm lame 0.35 HP / 261 W 110V/60/1	250F
13623	MS-IT-0250-IP	Ceinture de trancheuse à viande entraînée 10" / 250mm lame 0.25 HP / 186 W 120V/60/1	250R
13625	MS-IT-0275-I	Ceinture de trancheuse à viande entraînée 11" / 275mm lame 0.35 HP / 261 W 110V/60/1	275F
13624	MS-IT-0275-IP	Ceinture de trancheuse à viande entraînée 11" / 275mm lame 0.3 HP / 224 W 110V/60/1	275E

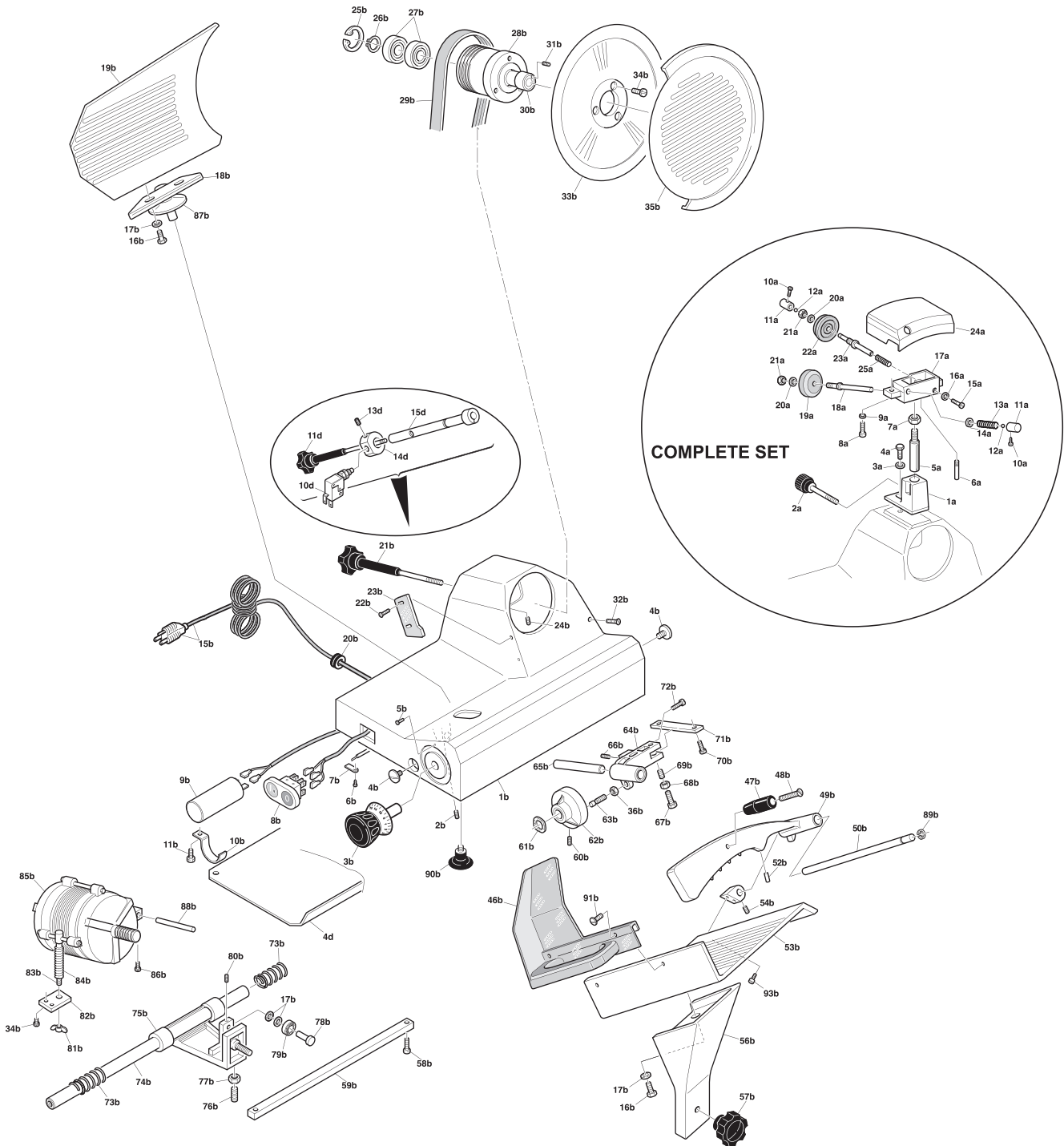
Instructions Français

13626	MS-IT-0300-B	Ceinture de trancheuse à viande entraînée 12" / 300mm Lame 0.35 HP / 261 W 120V/60/1 CE ETL Sanitation	300E
13628	MS-IT-0300-U	Ceinture de trancheuse à viande entraînée 12" / 300mm Lame 0.35 HP / 261 W 120V/60/1 cETLus/ETL	F300E
21624	MS-IT-0300-I	Ceinture de trancheuse à viande entraînée 12" / 300mm Blade 0.35 HP / 261 W 110V/60/1	300R

Parts Breakdown

Model MS-IT-0220-B 13610

Model MS-IT-0220-U 13616



Parts Breakdown

Model MS-IT-0220-B 13610

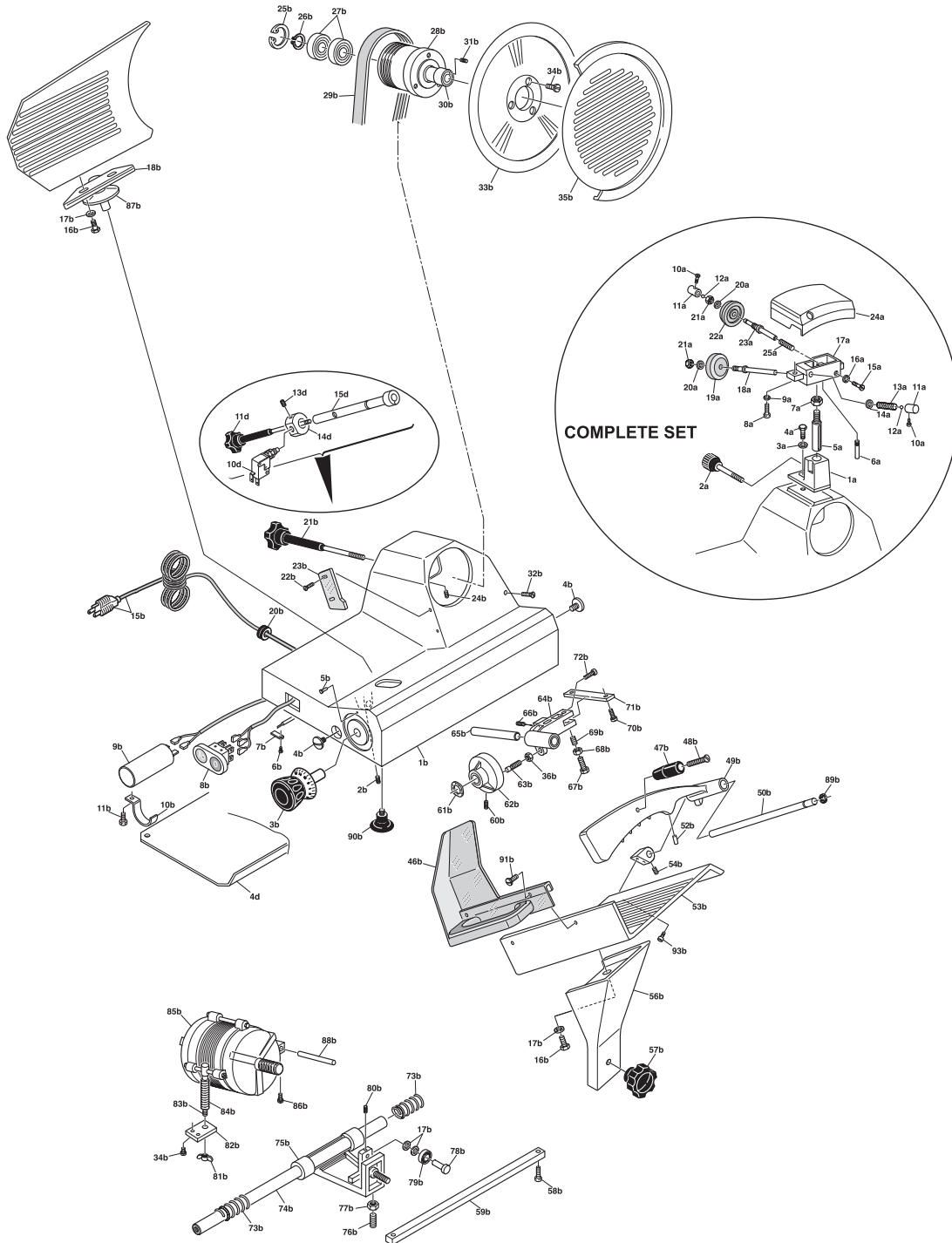
Model MS-IT-0220-U 13616

Item No.	Description	Position	Item No.	Description	Position	Item No.	Description	Position
33922	Sharpener Base for 220F	A1	14955	Strain Relief for 220F	B20	14991	Cam for 220F	B62
33923	Thumb Screw for Sharpener for 220F	A2	14956	Tie Rod for 220F	B21	14992	Cam Screw for 220F	B63
33924	Washer for 220F	A3	14866	Deflector Screw for 220F	B22	33918	Cam Screw for 220F	B63
33925	Screw for 220F	A4	14867	Slice Deflector for 220F	B23	33919	Slide Support for 220F	B64
33926	Sharpener Shaft for 220F	A5	14958	Screw for 220F	B24	15019	Slide Support for 220F	B64
33927	Screw for 220F	A6	14959	Circlip for 220F	B25	33920	Slide Pin for 220F	B65
33928	Nut for 220F	A7	14960	Circlip for 220F	B26	14993	Screw TC for 220F	B66
33929	Screw for 220F	A8	33911	Pulley Bearing for 220F	B27	14994	Screw TC for 220F	B67
33930	Washer for 220F	A9	14961	Pulley for 220F	B28	14995	Nut for 220F	B68
33931	Screw for 220F	A10	14962	Belt for 220F	B29	14996	Screw Testa CACC for 220F	B69
33932	Push Knob for Sharpener for 220F	A11	14963	Shaft for 220F	B30	14997	Screw for 220F	B70
33933	Ball Bearing for 220F	A12	14964	Screw for 220F	B31	14998	Plate for 220F	B71
33934	Spring for 220F	A13	14965	Screw TC for 220F	B32	14999	Screw TC for 220F	B72
33935	Washer for 220F	A14	13585	Blade for 220F	B33	15000	Slide Bar Spring for 220F	B73
33936	Screw for 220F	A15	14966	Screw for 220F	B34	15001	Slide Bar for 220F	B74
33937	Washer for 220F	A16	14967	Blade Cover for 220F	B35	15024	Carriage for 220F	B75
33938	Sharpener Housing for 220F	A17	14968	Nut for 220F	B36	15003	Carriage Screw for 220F	B76
33939	Grinding Shaft for 220F	A18	33913	Omcan F Stone 40x08x06 for 220F	B37	15004	Carriage Nut for 220F	B77
33914	Grinding Stone for 220F	A19	33914	Omcan G Stone 40x08x06 for 220F	B38	15005	Pin for 220F	B78
33941	Washer for 220F	A20	14969	Pin for 220F	B39	15006	Bearing for 220F	B79
33942	Nut for 220F	A21	14970	Pin for 220F	B40	15007	Screw for 220F	B80
17212	Finishing Stone for 220F	A22	14971	Support for 220F	B41	15008	Wing Nut for 220F	B81
33944	Honing Shaft for 220F	A23	14972	Spring for 220F	B42	15009	Plate for 220F	B82
33945	Sharpener Cover for 220F	A24	14973	Spring for 220F	B43	15010	Motor Adjustment Bar for 220F	B83
33946	Spring for 220F	A25	14974	Small Push Button for 220F	B44	15011	Spring for Adjustment Bar for 220F	B84
14938	Casing for 220F	B1	14976	Wrist Guard Plate for 220F	B46	15012	Motor for 220F	B85
14939	Screw for 220F	B2	33915	Meat Grip Knob for 220F	B47	15013	Screw for 220F	B86
14940	Index Knob for 220F	B3	14894	Screw TPSV for 220F	B48	15014	Ventosa for 220F	B87
14942	Screw for 220F	B4	14978	Meat Grip for 220F	B49	15015	Motor Pin for 220F	B88
14943	Rivet for 220F	B5	14979	Pin for 220F	B50	15016	Circlip for 220F	B89
14944	Screw for 220F	B6	14980	Spring for 220F	B51	14933	Foot for 220F	B90
14945	Plate for 220F	B7	14981	Lock for 220F	B52	14934	Wrist Guard Screw for 220F	B91
14922	On / Off Switch for 220F	B8	14982	Meat Plate for 220F	B53	15018	Pulley Assembly for 220F	B93
64813			14983	Screw for 220F	B54	25162	Bottom Cover for 220F	D4
14946	Capacitor for 220F	B9	14984	Knob for 220F	B55	18933	Micro Switch for 220F	D10
14947	Clamp for 220F	B10	14985	Meat Plate Support for 220F	B56	33947	Tie Rod for Micro Switch for 220F	D11
14948	Screw TC for 220F	B11	14903	Carriage Knob for 220F	B57	33948	Screw for 220F	D13
14859	Power Cord for 220F	B15	14987	Screw for 220F	B58	33949	Safety Switch Holder for 220F	D14
14950	Screw TE for 220F	B16	14988	Bar for 220F	B59	33950	Pivot Chuck for 220F	D15
14951	Washer for 220F	B17	14989	Screw for 220F	B60	17685	Complete Meat Tray Assy. for 220F	
14953	Support for 220F	B18	14990	Washer for 220F	B61	44918	Complete Sharpening Assy. for 220F	
14954	Thickness Adj. Plate for 220F	B19						

Parts Breakdown

Model MS-IT-0250-B 13618

Model MS-IT-0250-U 13620



Parts Breakdown

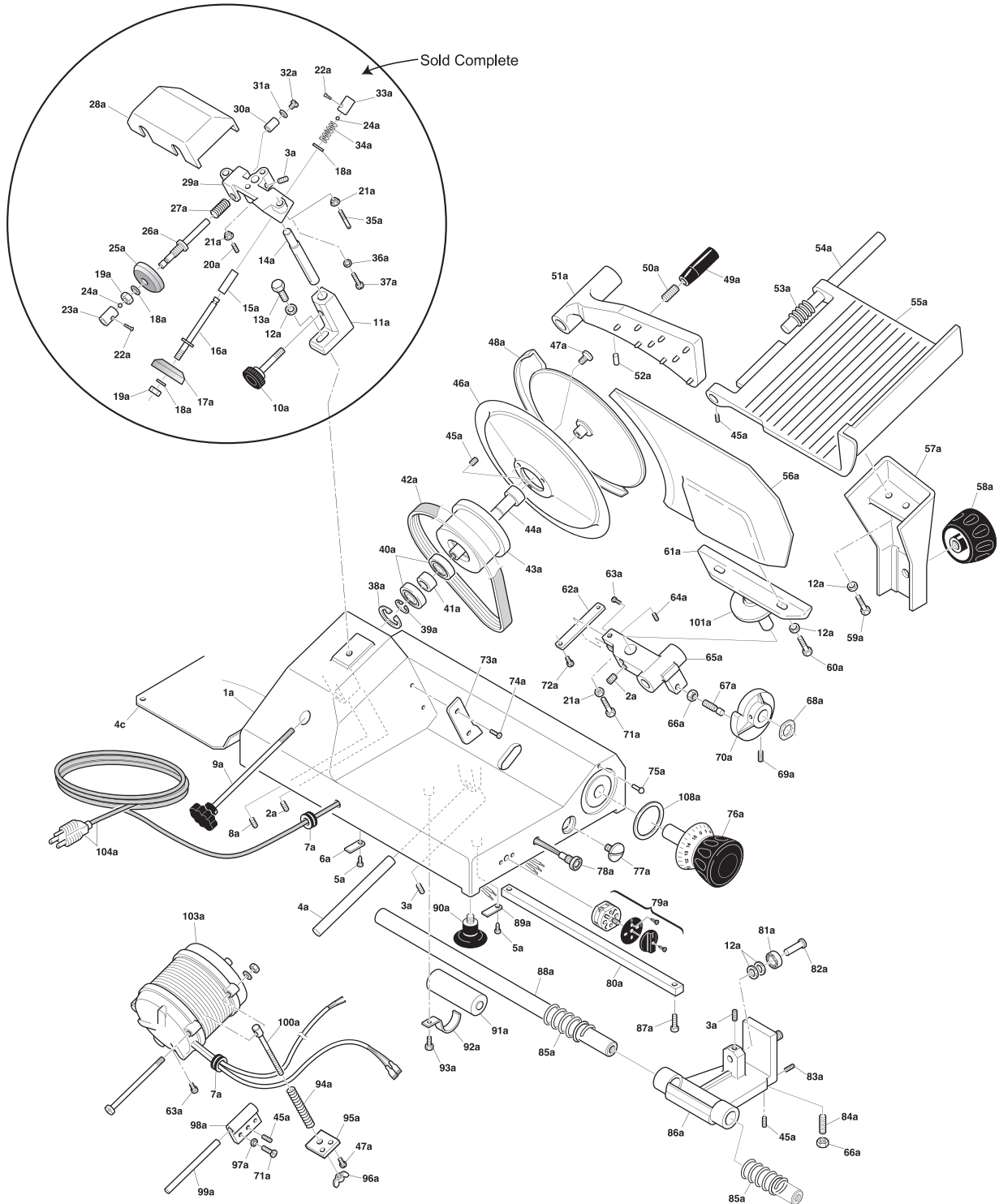
Model MS-IT-0250-B 13618

Model MS-IT-0250-U 13620

Item No.	Description	Position	Item No.	Description	Position	Item No.	Description	Position
33968	Sharpener Base for 250E	A1	15095	Thickness Adj. Plate for 250E	B19	15127	Cam Screw for 250E	B63
33969	Thumb Screw for Sharpener for 250E	A2	15096	Strain Relief for 250E	B20	15019	Slide Support for 250E	B64
33970	Washer for 250E	A3	15097	Tie Rod for 250E	B21	33965	Slide Pin for 250E	B65
33971	Screw for 250E	A4	15098	Deflector Screw for 250E	B22	15128	Screw TC for 250E	B66
33972	Sharpener Shaft for 250E	A5	17687	Slice Deflector for 250E	B23	15129	Screw TC for 250E	B67
33973	Screw for 250E	A6	15099	Screw for 250E	B24	15130	Nut for 250E	B68
33974	Nut for 250E	A7	33953	Circlip for 250E	B25	15131	Screw Testa CACC for 250E	B69
33975	Screw for 250E	A8	33954	Circlip for 250E	B26	15132	Screw for 250E	B70
33976	Washer for 250E	A9	33955	Pulley Bearing for 250E	B27	15133	Plate for 250E	B71
33977	Screw for 250E	A10	33956	Pulley for 250E	B28	15134	Screw TC for 250E	B72
33978	Push Knob for Sharpener for 250E	A11	15100	Belt for 250E	B29	15135	Slide Bar Spring for 250E	B73
33979	Ball Bearing for 250E	A12	33957	Shaft for 250E	B30	15136	Slide Bar for 250E	B74
33980	Spring for 250E	A13	33958	Screw for 250E	B31	15137	Carriage for 250E	B75
33981	Washer for 250E	A14	15101	Screw TC for 250E	B32	33966	Carriage Screw for 250E	B76
33982	Screw for 250E	A15	13586	Blade for 250E	B33	15140	Carriage Nut for 250E	B77
33983	Washer for 250E	A16	15103	Screw for 250E	B34	15141	Pin for 250E	B78
33984	Sharpener Housing for 250E	A17	15066	Blade Cover for 250E	B35	15142	Bearing for 250E	B79
33985	Grinding Shaft for 250E	A18	15105	Nut for 250E	B36	15143	Screw for 250E	B80
33914	Grinding Stone for 250E	A19	15106	Pin for 250E	B39	15144	Wing Nut for 250E	B81
33987	Washer for 250E	A20	15107	Pin for 250E	B40	15145	Plate for 250E	B82
33988	Nut for 250E	A21	15108	Support for 250E	B41	15146	Motor Adjustment Bar for 250E	B83
17212	Finishing Stone for 250E	A22	15109	Spring for 250E	B42	15147	Spring for Adjustment Bar for 250E	B84
33990	Honing Shaft for 250E	A23	15110	Spring for 250E	B43	15148	Motor for 250E	B85
33991	Sharpener Cover for 250E	A24	15111	Small Push Button for 250E	B44	15149	Screw for 250E	B86
33992	Spring for 250E	A25	15112	Screw for 250E	B45	15150	Ventosa for 250E	B87
15082	Casing for 250E	B1	14976	Wrist Guard Plate for 250E	B46	15151	Motor Pin for 250E	B88
15083	Screw for 250E	B2	33915	Meat Grip Knob for 250E	B47	15152	Circlip for 250E	B89
14940	Index Knob for 250E	B3	14894	Screw TPSV for 250E	B48	14933	Foot for 250E	B90
33951	Screw for 250E	B4	15114	Meat Grip for 250E	B49	14934	Wrist Guard Screw for 250E	B91
15085	Rivet for 250E	B5	15115	Pin for 250E	B50	15154	Pulley Assembly for 250E	B93
15086	Screw for 250E	B6	15117	Lock for 250E	B52	25162	Bottom Cover for 250E	D4
15087	Plate for 250E	B7	15118	Meat Plate for 250E	B53	18933	Micro Switch for 250E	D10
14922 64813	On / Off Switch for 250E	B8	15119	Screw for 250E	B54	33993	Tie Rod for Micro Switch for 250E	D11
15088	Capacitor for 250E	B9	15121	Meat Plate Support for 250E	B56	33994	Screw for 250E	D13
15089	Clamp for 250E	B10	14903	Knob Support for 250E	B57	25163	Tie Rod Ring for 250E	D14
15090	Screw TC for 250E	B11	15122	Screw for Support Bar for 250E	B58	33996	Pivot Chuck for 250E	D15
14859	Power Cord for 250E	B15	15123	Support Bar for 250E	B59	15081	Complete Meat Tray Assy. for 250E	
15092	Screw for 250E	B16	15124	Screw for 250E	B60	33964	Slide Support Complete for 250E	
15093	Washer for 250E	B17	15125	Washer for 250E	B61	41167	Complete Sharpening Assy. for 250E	
15094	Support for 250E	B18	15126	Cam for 250E	B62			

Parts Breakdown

Model MS-IT-0250-I 13621



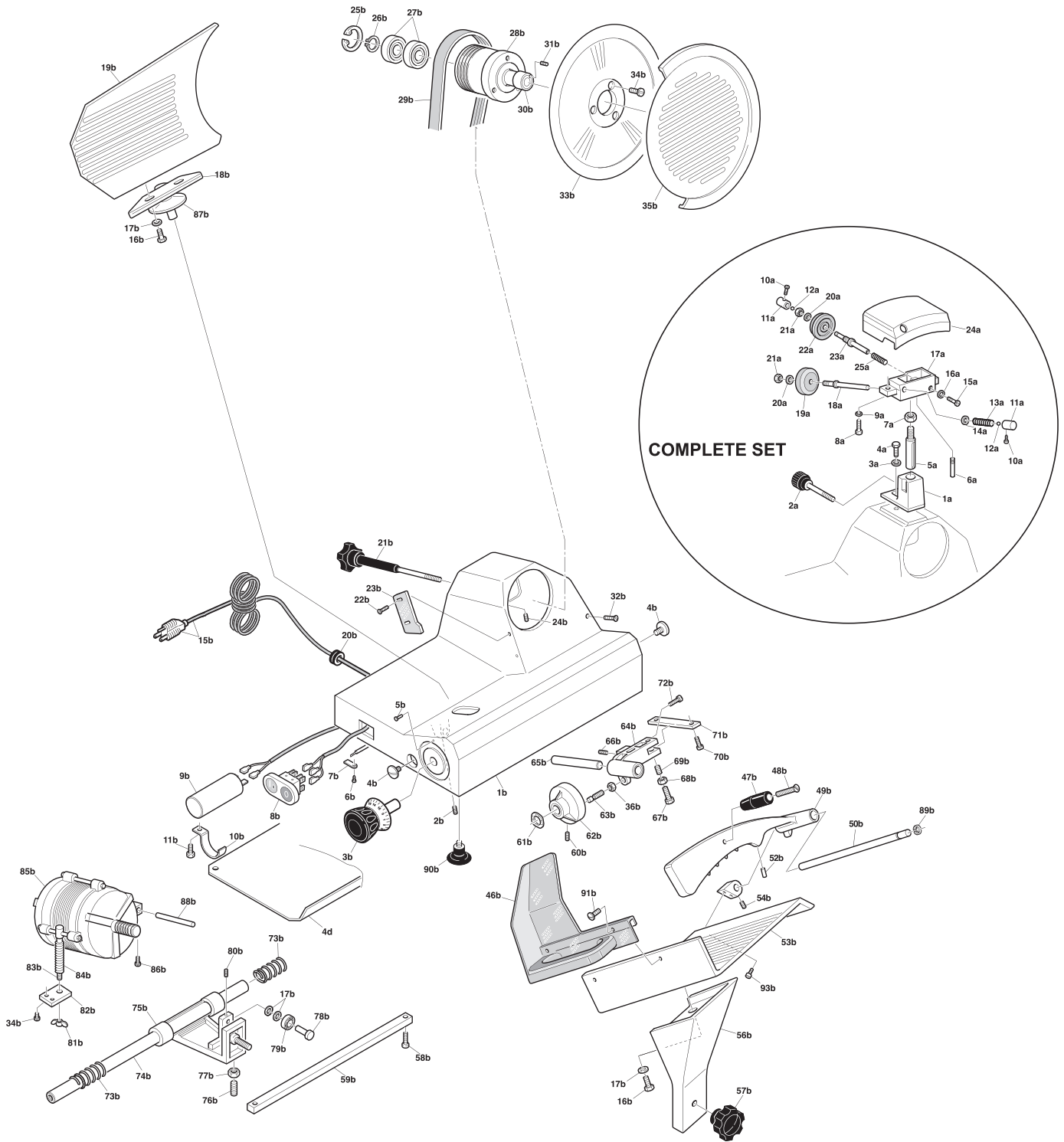
Parts Breakdown

Model MS-IT-0250-I 13621

Item No.	Description	Position	Item No.	Description	Position	Item No.	Description	Position
33997	Housing for 250F	A1	15056	Screw TC for 250F	A37	15071	Meat Deflector for 250F	A73
15026	Set Screw TC for 250F	A2	15057	Clip for 250F	A38	34026	Screw TC for 250F	A74
15027	Set Screw TC for 250F	A3	15058	Clip for 250F	A39	34027	Copper Rivet for 250F	A75
15028	Guide Plate Pin for 250F	A4	15059	Bearing for 250F	A40	34028	Index Knob for 250F	A76
15029	Tapping Screw for 250F	A5	15060	Spacer for 250F	A41	34029	Screw Chrome for 250F	A77
33998	Stop Plate for 250F	A6	34002	Belt for 250F	A42	34030	Light for 250F	A78
33999	Strain Relief for 250F	A7	15062	Spindle Pulley for 250F	A43	15195	Switch - On / Off for 250F	A79
15030	Set Screw TP for 250F	A8	15063	Bearing and Shaft for 250F	A44	34032	Carriage Rail for 250F	A80
17686	Tie Rod for 250F	A9	15064	Set Screw for 250F	A45	34033	Bearing for 250F	A81
15031	Sharpener Tie Rod for 250F	A10	13586	Blade for 250F	A46	34034	Bearing Pin for 250F	A82
15032	Sharpener Support Bracket for 250F	A11	15065	Screw TPSV for 250F	A47	34035	Set Screw for 250F	A83
15033	Washer for 250F	A12	15066	Blade Shield for 250F	A48	34036	Set Screw PVC for 250F	A84
15034	Screw TE for 250F	A13	14893	Meat Grip Handle for 250F	A49	34037	Slide Bar Spring for 250F	A85
15035	Shaft for Sharpener for 250F	A14	15068	Meat Grip Handle Screw for 250F	A50	34038	Carriage Support for 250F	A86
15036	Sharpener Pin Spacer for 250F	A15	15069	Meat Grip for 250F	A51	34039	Screw TC for 250F	A87
15037	Sharpener Pin for 250F	A16	34005	Plastic Dowel for 250F	A52	34040	Carriage Slide Bar for 250F	A88
18016	Grinding Stone for 250F	A17	34006	Meat Tray Shaft Spring for 250F	A53	34041	Stop Plate for 250F	A89
15038	Washer for 250F	A18	34007	Meat Tray Shaft for 250F	A54	15073	Foot for 250F	A90
15039	Nut for 250F	A19	34008	Meat Tray for 250F	A55	15074	Capacitor for 250F	A91
15040	Set Screw for 250F	A20	34009	Guide Plate for 250F	A56	34042	Capacitor Bracket for 250F	A92
15041	Nut for 250F	A21	34010	Meat Tray Support for 250F	A57	34043	Screw TC for 250F	A93
15042	Screw TGS for 250F	A22	15070	Carriage Knob for 250F	A58	34044	Motor Spring for 250F	A94
15043	Sharpener Push Button for 250F	A23	34011	Screw TE for 250F	A59	34045	Motor Bracket for 250F	A95
15044	Ball Bearing for 250F	A24	34012	Screw TE for 250F	A60	34046	Wing Nut for 250F	A96
33032	Finishing Stone for 250F	A25	34013	Guide Plate Support for 250F	A61	34047	Washer for 250F	A97
15045	Sharpener Pin for 250F	A26	34014	Cam Plate for 250F	A62	34048	Hinge for 250F	A98
15046	Sharpener Pin Spring for 250F	A27	34015	Screw TC for 250F	A63	34049	Motor Support Shaft for 250F	A99
15047	Sharpener Cover for 250F	A28	34016	Set Screw TC for 250F	A64	15075	Motor Tie Rod for 250F	A100
15048	Sharpener Body for 250F	A29	34017	Cam Guide for 250F	A65	15076	Guide Plate Support Cover for 250F	A101
15049	Sharpener Pin Spacer for 250F	A30	34019	Nut for 250F	A66	15078	Motor for 250F	A103
15050	Washer for 250F	A31	34020	Cam Screw for 250F	A67	14859	Power Cord for 250F	A104
15051	Screw TC for 250F	A32	34021	Washer for 250F	A68	36528	Index Knob Spacer for 250F	A108
15052	Sharpener Push Button for 250F	A33	34022	Set Screw for 250F	A69	25161	Bottom Cover for 250F	C4
15053	Sharpener Pin Spring for 250F	A34	34023	Cam for 250F	A70	15350	Complete Sharpening Assy. for 250F	
15054	Stud Screw for 250F	A35	34024	Screw TE for 250F	A71	34018	Cam Assembly for 250F	
15055	Washer for 250F	A36	34025	Screw TC for 250F	A72			

Parts Breakdown

Model **MS-IT-0250-IP** 13623



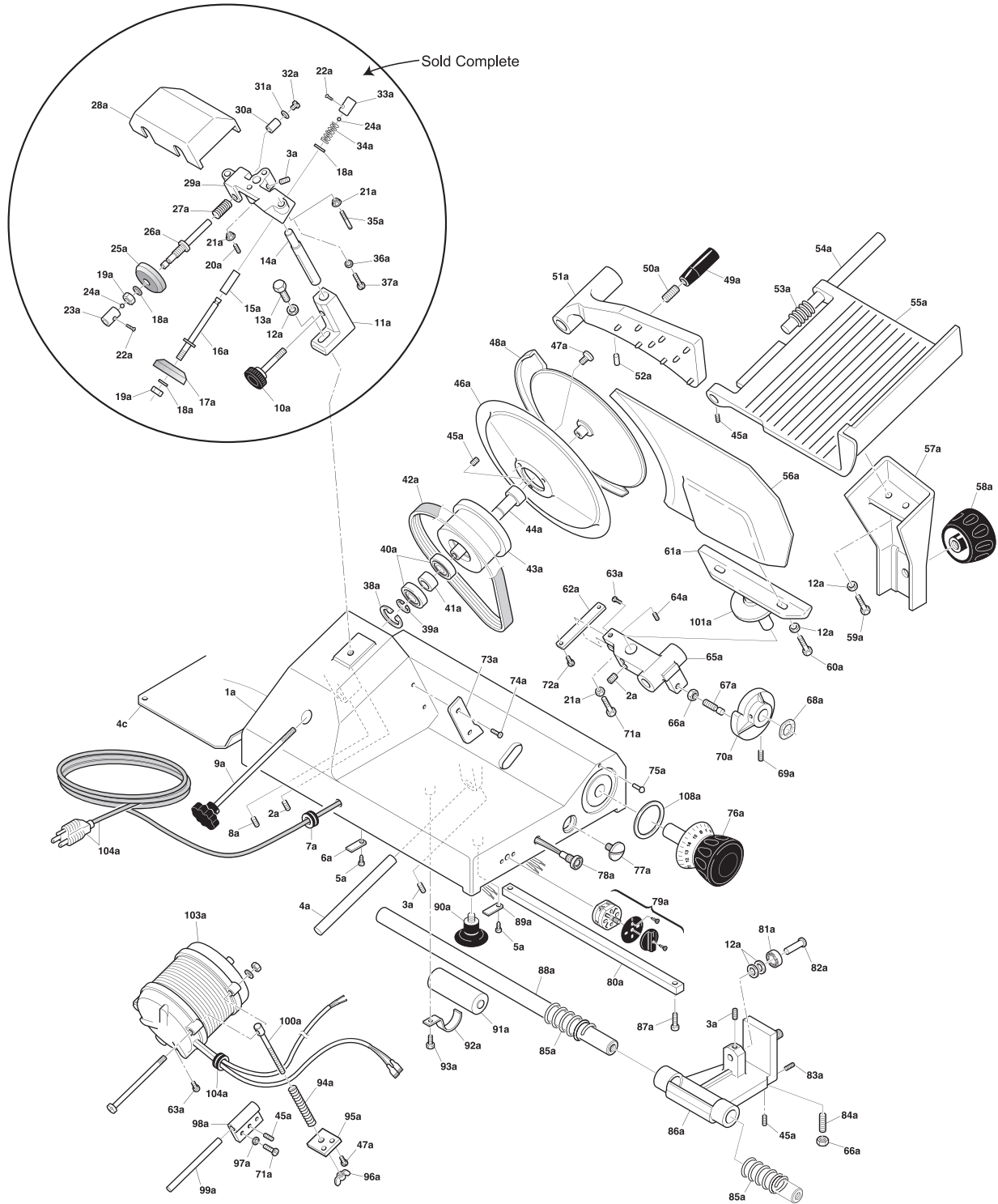
Parts Breakdown

Model MS-IT-0250-IP 13623

Item No.	Description	Position	Item No.	Description	Position	Item No.	Description	Position
34053	Sharpener Base for 250R	A1	14859	Power Cord for 250R	B15	34122	Washer for 250R	B61
34054	Thumb Screw for Sharpener for 250R	A2	34089	Screw TE for 250R	B16	34123	Cam for 250R	B62
34055	Washer for 250R	A3	34090	Washer for 250R	B17	34124	Cam Screw for 250R	B63
34056	Screw for 250R	A4	34091	Support for 250R	B18	14906	Slide Support for 250R	B64
34057	Sharpener Shaft for 250R	A5	34092	Thickness Adj. Plate for 250R	B19	34127	Slide Pin for 250R	B65
34058	Screw for 250R	A6	34093	Strain Relief for 250R	B20	34128	Screw TC for 250R	B66
34059	Nut for 250R	A7	34094	Tie Rod for 250R	B21	34129	Screw TC for 250R	B67
34060	Screw for 250R	A8	34095	Deflector Screw for 250R	B22	34130	Nut for 250R	B68
34061	Washer for 250R	A9	34096	Slice Deflector for 250R	B23	34131	Screw Testa CACC for 250R	B69
34062	Screw for 250R	A10	34097	Screw for 250R	B24	34132	Screw for 250R	B70
34063	Push Knob for Sharpener for 250R	A11	34098	Circlip for 250R	B25	34133	Plate for 250R	B71
34064	Ball Bearing for 250R	A12	34099	Circlip for 250R	B26	34134	Screw TC for 250R	B72
34065	Spring for 250R	A13	34100	Pulley Bearing for 250R	B27	34135	Slide Bar Spring for 250R	B73
34066	Washer for 250R	A14	34101	Pulley for 250R	B28	34136	Slide Bar for 250R	B74
34067	Screw for 250R	A15	34102	Belt for 250R	B29	34137	Carriage for 250R	B75
34068	Washer for 250R	A16	34103	Shaft for 250R	B30	34138	Carriage Screw for 250R	B76
34069	Sharpener Housing for 250R	A17	34104	Screw for 250R	B31	34139	Carriage Nut for 250R	B77
34070	Grinding Shaft for 250R	A18	34105	Screw TC for 250R	B32	34140	Pin for 250R	B78
33914	Grinding Stone for 250R	A19	13586	Blade for 250R	B33	34141	Bearing for 250R	B79
34072	Washer for 250R	A20	34107	Screw for 250R	B34	34142	Screw for 250R	B80
34073	Nut for 250R	A21	24541	Blade Cover for 250R	B35	34143	Wing Nut for 250R	B81
17212	Finishing Stone for 250R	A22	15105	Nut for 250R	B36	34144	Plate for 250R	B82
34075	Honing Shaft for 250R	A23	34108	Wrist Guard Plate for 250R	B46	34145	Motor Adjustment Bar for 250R	B83
34076	Sharpener Cover for 250R	A24	33915	Meat Grip Knob for 250R	B47	34146	Spring for Adjustment Bar for 250R	B84
34077	Spring for 250R	A25	14894	Screw TPSV for 250R	B48	15012	Motor for 250R	B85
34078	Casing for 250R	B1	34111	Meat Grip for 250R	B49	34148	Screw for 250R	B86
34079	Screw for 250R	B2	34112	Pin for 250R	B50	15150	Ventosa for 250R	B87
14940	Index Knob for 250R	B3	34113	Spring for 250R	B51	34150	Motor Pin for 250R	B88
34081	Screw for 250R	B4	34114	Lock for 250R	B52	34151	Circlip for 250R	B89
34082	Rivet for 250R	B5	34115	Meat Plate for 250R	B53	14933	Foot for 250R	B90
34083	Screw for 250R	B6	34116	Screw for 250R	B54	14934	Wrist Guard Screw for 250R	B91
34084	Plate for 250R	B7	34117	Meat Plate Support for 250R	B56	37121	Screw for 250R	B93
14922 64813	On / Off Switch for 250R	B8	14903	Carriage Knob for 250R	B57	15022	Bottom Cover for 250R	D4
14946	Capacitor for 250R	B9	34119	Screw for Support Bar for 250R	B58	34126	Slide Support Complete for 250R	
34087	Clamp for 250R	B10	34120	Support Bar for 250R	B59	41167	Complete Sharpening Assy. for 250R	
34088	Screw TC for 250R	B11	34121	Screw for 250R	B60			

Parts Breakdown

Model MS-IT-0275-I 13625



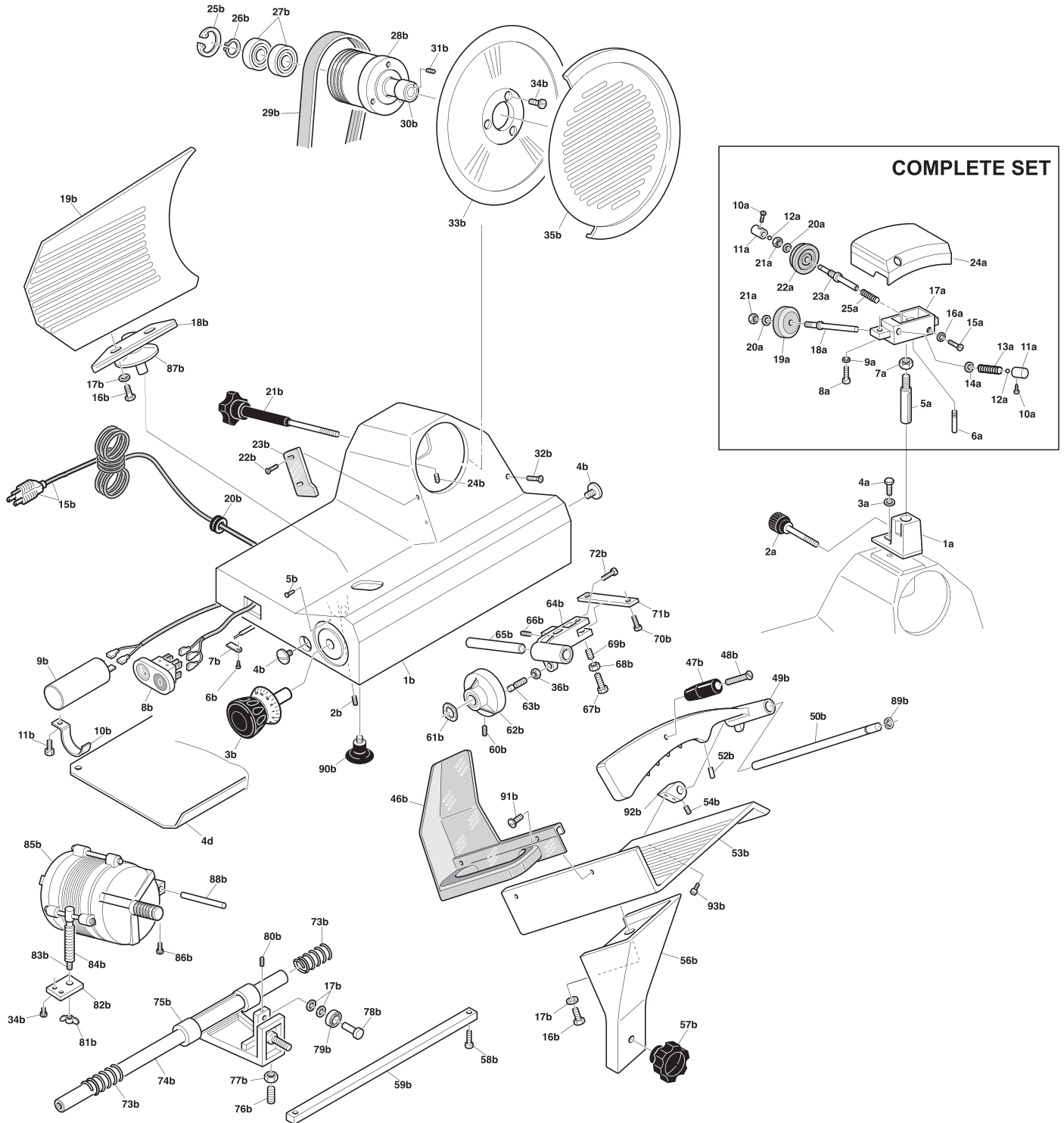
Parts Breakdown

Model MS-IT-0275-I 13625

Item No.	Description	Position	Item No.	Description	Position	Item No.	Description	Position
34254	Housing for 275F	A1	34290	Screw TC for 275F	A37	15071	Meat Deflector for 275F	A73
34255	Set Screw TC for 275F	A2	34291	Clip for 275F	A38	34329	Screw TC for 275F	A74
34256	Set Screw TC for 275F	A3	34293	Clip for 275F	A39	34330	Copper Rivet for 275F	A75
34257	Guide Plate Pin for 275F	A4	34295	Bearing for 275F	A40	34028	Index Knob for 275F	A76
34258	Tapping Screw for 275F	A5	34296	Spacer for 275F	A41	34332	Screw Chrome for 275F	A77
34260	Stop Plate for 275F	A6	34297	Belt for 275F	A42	34333	Light for 275F	A78
34261	Strain Relief for 275F	A7	34298	Spindle Pulley for 275F	A43	15195	Switch - On / Off for 275F	A79
34262	Set Screw TP for 275F	A8	34299	Bearing and Shaft for 275F	A44	34335	Carriage Rail for 275F	A80
17686	Tie Rod for 275F	A9	15064	Set Screw for 275F	A45	34336	Bearing for 275F	A81
34263	Sharpener Tie Rod for 275F	A10	13590	Blade for 275F	A46	34337	Bearing Pin for 275F	A82
34264	Sharpener Support Bracket for 275F	A11	34302	Screw TPSV for 275F	A47	34338	Set Screw for 275F	A83
34265	Washer for 275F	A12	15158	Blade Shield for 275F	A48	34339	Set Screw PVC for 275F	A84
34266	Screw TE for 275F	A13	14893	Meat Grip Handle for 275F	A49	34340	Slide Bar Spring for 275F	A85
34267	Shaft for Sharpener for 275F	A14	14894	Meat Grip Handle Screw for 275F	A50	34341	Carriage Support for 275F	A86
34268	Sharpener Pin Spacer for 275F	A15	15069	Meat Grip for 275F	A51	34342	Screw TC for 275F	A87
34269	Sharpener Pin for 275F	A16	34005	Plastic Dowel for 275F	A52	34343	Carriage Slide Bar for 275F	A88
18016	Grinding Stone for 275F	A17	34006	Meat Tray Shaft Spring for 275F	A53	34344	Stop Plate for 275F	A89
34271	Washer for 275F	A18	34007	Meat Tray Shaft for 275F	A54	15073	Foot for 275F	A90
34272	Nut for 275F	A19	34008	Meat Tray for 275F	A55	34346	Capacitor for 275F	A91
34273	Set Screw for 275F	A20	34310	Guide Plate for 275F	A56	34347	Capacitor Bracket for 275F	A92
34274	Nut for 275F	A21	34010	Meat Tray Support for 275F	A57	34348	Screw TC for 275F	A93
34275	Screw TGS for 275F	A22	34312	Carriage Knob for 275F	A58	34349	Motor Spring for 275F	A94
34276	Sharpener Push Button for 275F	A23	34313	Screw TE for 275F	A59	34350	Motor Bracket for 275F	A95
34277	Ball Bearing for 275F	A24	34314	Screw TE for 275F	A60	34351	Wing Nut for 275F	A96
33032	Finishing Stone for 275F	A25	34315	Guide Plate Support for 275F	A61	34352	Washer for 275F	A97
34279	Sharpener Pin for 275F	A26	34316	Cam Plate for 275F	A62	34353	Hinge for 275F	A98
34280	Sharpener Pin Spring for 275F	A27	34317	Screw TC for 275F	A63	34354	Motor Support Shaft for 275F	A99
34281	Sharpener Cover for 275F	A28	34318	Set Screw TC for 275F	A64	34355	Motor Tie Rod for 275F	A100
34282	Sharpener Body for 275F	A29	34319	Cam Guide for 275F	A65	34356	Guide Plate Support Cover for 275F	A101
34283	Sharpener Pin Spacer for 275F	A30	34321	Nut for 275F	A66	15078	Motor for 275F	A103
34284	Washer for 275F	A31	34322	Cam Screw for 275F	A67	14859	Power Cord for 275F	A104
34285	Screw TC for 275F	A32	34323	Washer for 275F	A68	36528	Index Knob Spacer for 275F	A108
34286	Sharpener Push Button for 275F	A33	34324	Set Screw for 275F	A69	25161	Bottom Corner for 275F	C4
34287	Sharpener Pin Spring for 275F	A34	34325	Cam for 275F	A70	34320	Cam Assembly for 275F	
34288	Stud Screw for 275F	A35	34326	Screw TE for 275F	A71	15156	Complete Sharpening Assy. for 275F	
34289	Washer for 275F	A36	34327	Screw TC for 275F	A72			

Parts Breakdown

Model MS-IT-0275-IP 13624



Parts Breakdown

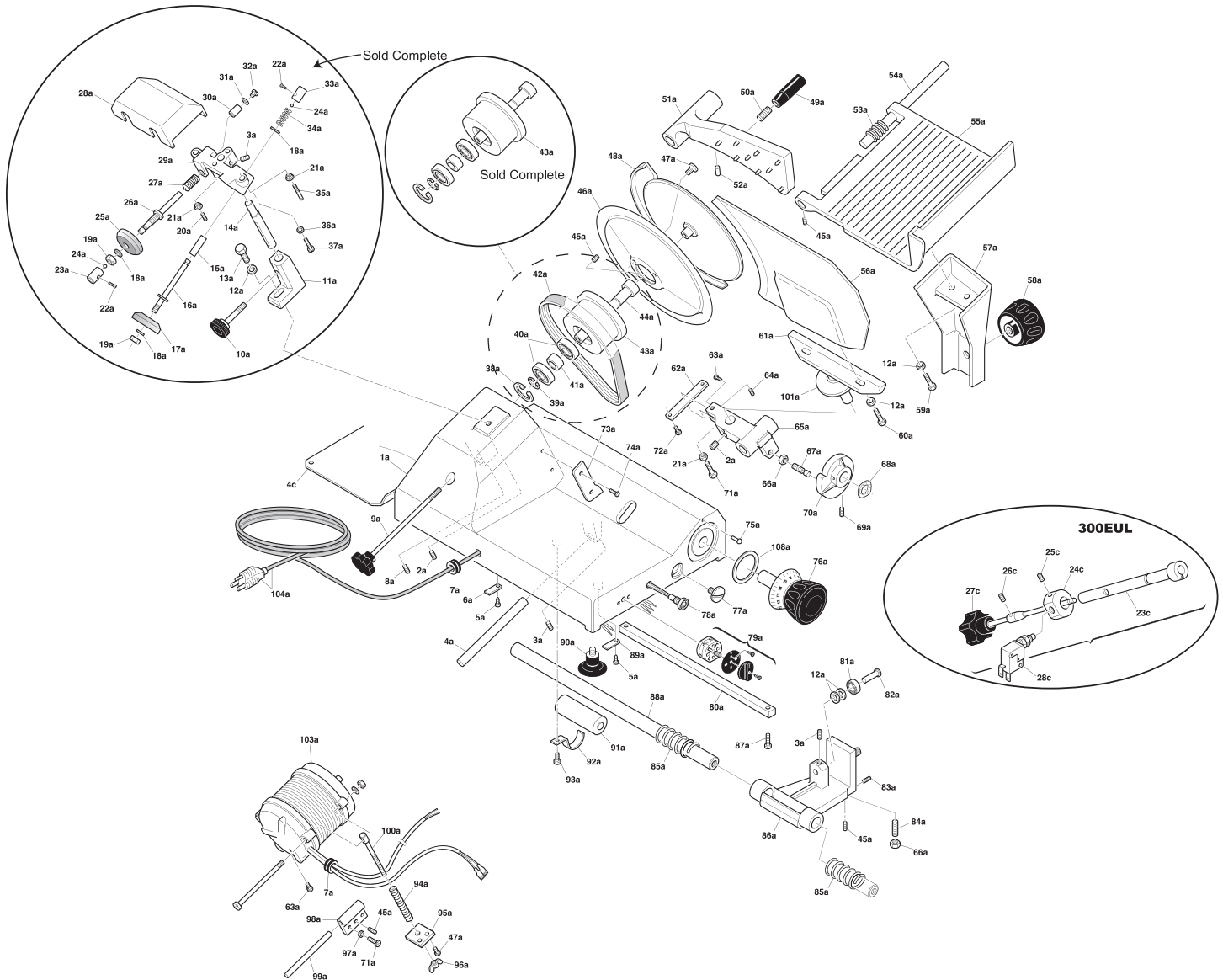
Model MS-IT-0275-IP 13624

Item No.	Description	Position	Item No.	Description	Position	Item No.	Description	Position
34153	Sharpener Base for 275E	A1	34189	Screw TE for 275E	B16	34224	Cam Screw for 275E	B63
34154	Thumb Screw for Sharpener for 275E	A2	34190	Washer for 275E	B17	34225	Slide Support for 275E	B64
34155	Washer for 275E	A3	34191	Support for 275E	B18	34227	Slide Pin for 275E	B65
34156	Screw for 275E	A4	34192	Thickness Adj. Plate for 275E	B19	34228	Screw TC for 275E	B66
34157	Sharpener Shaft for 275E	A5	34193	Strain Relief for 275E	B20	34229	Screw TC for 275E	B67
34158	Screw for 275E	A6	15097	Tie Rod for 275E	B21	34230	Nut for 275E	B68
34159	Nut for 275E	A7	34026	Deflector Screw for 275E	B22	34231	Screw Testa CACC for 275E	B69
34160	Screw for 275E	A8	15071	Slice Deflector for 275E	B23	34232	Screw for 275E	B70
34161	Washer for 275E	A9	34197	Screw for 275E	B24	34233	Plate for 275E	B71
34162	Screw for 275E	A10	34198	Circlip for 275E	B25	34234	Screw TC for 275E	B72
34163	Push Knob for Sharpener for 275E	A11	34199	Circlip for 275E	B26	34235	Slide Bar Spring for 275E	B73
34164	Ball Bearing for 275E	A12	34200	Pulley Bearing for 275E	B27	34236	Slide Bar for 275E	B74
34165	Spring for 275E	A13	34201	Pulley for 275E	B28	34237	Carriage for 275E	B75
34166	Washer for 275E	A14	34202	Belt for 275E	B29	34238	Carriage Screw for 275E	B76
34167	Screw for 275E	A15	34203	Shaft for 275E	B30	34239	Carriage Nut for 275E	B77
34168	Washer for 275E	A16	34204	Screw for 275E	B31	34240	Pin for 275E	B78
34169	Sharpener Housing for 275E	A17	34205	Screw TC for 275E	B32	34241	Bearing for 275E	B79
34170	Grinding Shaft for 275E	A18	13589	Blade for 275E	B33	34242	Screw for 275E	B80
18016	Grinding Stone for 275E	A19	34207	Screw for 275E	B34	34243	Wing Nut for 275E	B81
34172	Washer for 275E	A20	23902	Blade Cover for 275E	B35	34244	Plate for 275E	B82
34173	Nut for 275E	A21	37119	Nut for 275E	B36	34245	Motor Adjustment Bar for 275E	B83
33032	Finishing Stone for 275E	A22	14976	Wrist Guard Plate for 275E	B46	34246	Spring for Adjustment Bar for 275E	B84
34175	Honing Shaft for 275E	A23	33915	Meat Grip Knob for 275E	B47	15148	Motor for 275E	B85
34176	Sharpener Cover for 275E	A24	14894	Screw TPSV for 275E	B48	34248	Screw for 275E	B86
34177	Spring for 275E	A25	15114	Meat Grip for 275E	B49	34249	Ventosa for 275E	B87
34178	Casing for 275E	B1	15115	Pin for 275E	B50	34250	Motor Pin for 275E	B88
34179	Screw for 275E	B2	34213	Spring for 275E	B51	15152	Circlip for 275E	B89
14940	Index Knob for 275E	B3	34214	Lock for 275E	B52	14933	Foot for 275E	B90
34181	Screw for 275E	B4	15118	Meat Plate for 275E	B53	14934	Wrist Guard Screw for 275E	B91
34182	Rivet for 275E	B5	34216	Screw for 275E	B54	37120	Pin End Piece for 275E	B92
34183	Screw for 275E	B6	15121	Meat Plate Support for 275E	B56	37121	Screw for 275E	B93
34184	Plate for 275E	B7	14903	Carriage Knob for 275E	B57	37118	Bottom Cover for 275E	D4
14922	On/Off Switch for 275E	B8	34219	Screw for Support Bar for 275E	B58	19283	Complete Meat Tray Assy. for 275E	
64813			34220	Support Bar for 275E	B59	34226	Slide Support Complete for 275E	
34186	Capacitor for 275E	B9	34221	Screw for 275E	B60	15156	Complete Sharpening Assy. for 275E	
34187	Clamp for 275E	B10	34222	Washer for 275E	B61			
34188	Screw TC for 275E	B11	34223	Cam for 275E	B62			
14859	Power Cord for 275E	B15						

Parts Breakdown

Model MS-IT-0300-B 13626

Model MS-IT-0300-U 13628





Parts Breakdown

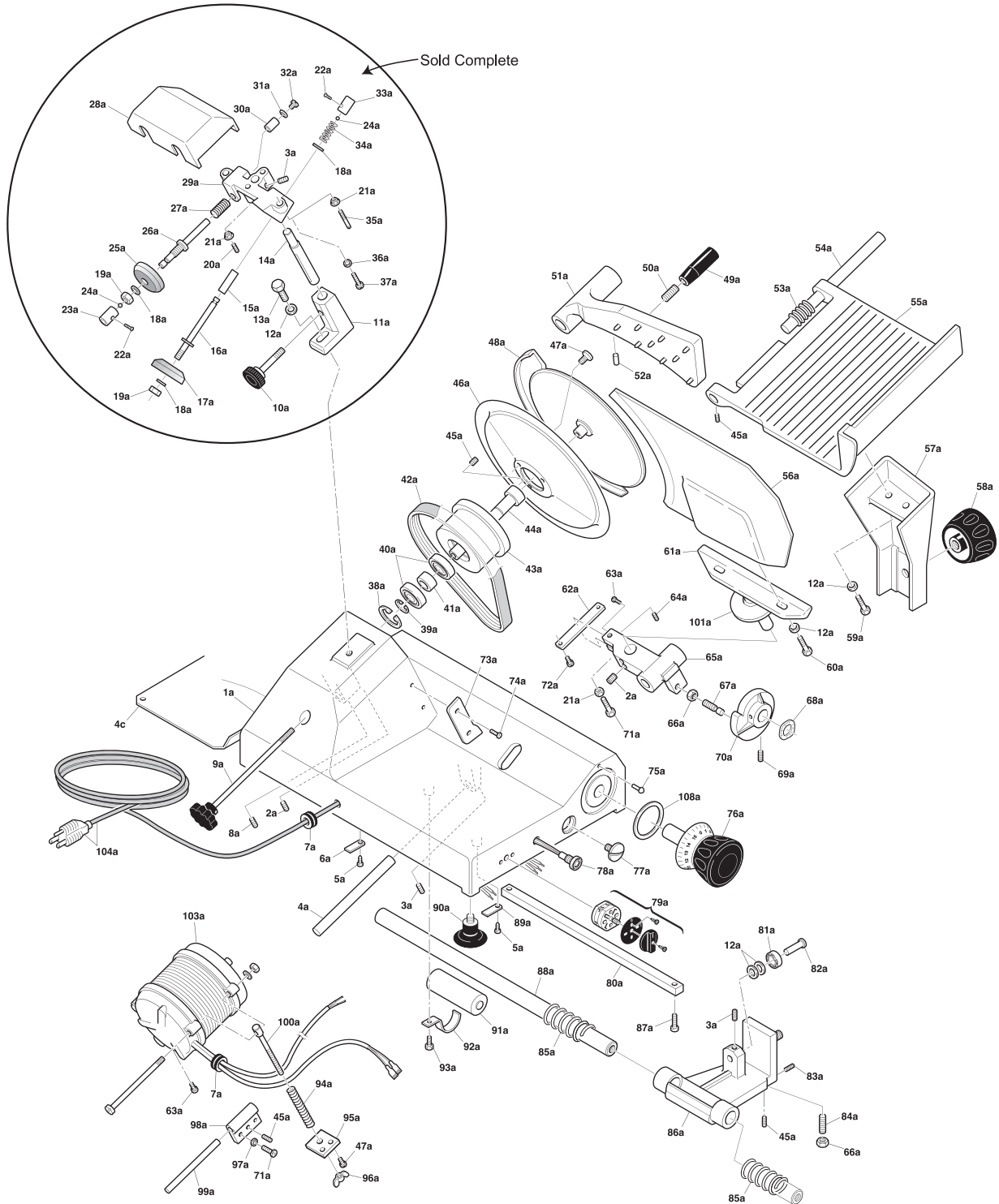
Model MS-IT-0300-B 13626

Model MS-IT-0300-U 13628

Item No.	Description	Position	Item No.	Description	Position	Item No.	Description	Position
34359	Housing for 300E	A1	34395	Clip - See A43 for 300E	A38	34417	Copper Rivet for 300E	A75
34360	Set Screw TC for 300E	A2	34397	Clip - See A43 for 300E	A39	15194	Index Knob for 300E	A76
34361	Set Screw TC for 300E	A3	15178	Bearing - See A43 for 300E	A40	34418	Screw Chrome for 300E	A77
34362	Guide Plate Pin for 300E	A4	34399	Spacer - See A43 for 300E	A41	34419	Light for 300E	A78
34364	Tapping Screw for 300E	A5	15179	Belt for 300E	A42	15195	Switch - On / Off for 300E	A79
34365	Stop Plate for 300E	A6	15180	Complete Spindle Pulley Assy. for 300E	A43	19240	Carriage Rail for 300E	A80
34366	Strain Relief for 300E	A7	34400	Bearing and Shaft - See A43 for 300E	A44	30442	Bearing for 300E	A81
34367	Set Screw TP for 300E	A8	34401	Set Screw for 300E	A45	34420	Bearing Pin for 300E	A82
34440	Tie Rod for 300E	A9	13594	Blade for 300E	A46	34421	Set Screw for 300E	A83
34368	Sharpener Tie Rod for 300E	A10	15181	Screw TPSV for 300E	A47	15196	Set Screw PVC for 300E	A84
34369	Sharpener Support Bracket for 300E	A11	15182	Blade Shield for 300E	A48	19246	Slide Bar Spring for 300E	A85
34370	Washer for 300E	A12	15183	Meat Grip Handle for 300E	A49	15197	Carriage Support for 300E	A86
34371	Screw TE for 300E	A13	15184	Meat Grip Handle Screw for 300E	A50	34422	Screw TC for 300E	A87
34372	Shaft for Sharpener for 300E	A14	15185	Meat Grip for 300E	A51	34423	Carriage Slide Bar for 300E	A88
18934	Sharpener Pin Spacer for 300E	A15	34403	Plastic Dowel for 300E	A52	34424	Stop Plate for 300E	A89
34373	Sharpener Pin for 300E	A16	18937	Meat Tray Shaft Spring for 300E	A53	15073	Foot for 300E	A90
18016	Grinding Stone for 300E	A17	18936	Meat Tray Shaft for 300E	A54	15198	Capacitor for 300E	A91
34375	Washer for 300E	A18	15186	Meat Tray for 300E	A55	34426	Capacitor Bracket for 300E	A92
34376	Nut for 300E	A19	17690	Guide Plate for 300E	A56	34427	Screw TC for 300E	A93
34377	Set Screw for 300E	A20	34405	Meat Tray Support for 300E	A57	34428	Motor Spring for 300E	A94
34378	Nut for 300E	A21	15187	Carriage Knob for 300E	A58	34429	Motor Bracket for 300E	A95
34379	Screw TGS for 300E	A22	34406	Screw TE for 300E	A59	34430	Wing Nut for 300E	A96
34380	Sharpener Push Button for 300E	A23	34407	Screw TE for 300E	A60	34432	Hinge for 300E	A98
34381	Ball Bearing for 300E	A24	15188	Guide Plate Support for 300E	A61	34433	Motor Support Shaft for 300E	A99
33032	Finishing Stone for 300E	A25	34408	Cam Plate for 300E	A62	34434	Motor Tie Rod for 300E	A100
34383	Sharpener Pin for 300E	A26	34409	Screw TC for 300E	A63	15199	Guide Plate Support Cover for 300E	A101
34384	Sharpener Pin Spring for 300E	A27	34410	Set Screw TC for 300E	A64	15078	Motor for 300E	A103
34385	Sharpener Cover for 300E	A28	15189	Cam Guide for 300E	A65	14859	Power Cord for 300E	A104
34386	Sharpener Body for 300E	A29	15190	Nut for 300E	A66	36530	Index Knob Spacer for 300E	A108
34387	Sharpener Pin Spacer for 300E	A30	34412	Cam Screw for 300E	A67	25161	Bottom Cover for 300E	C4
34388	Washer for 300E	A31	34413	Washer for 300E	A68	34437	Bearing and Shaft for 300E	C23
34389	Screw TC for 300E	A32	34414	Set Screw for 300E	A69	25164	Tie Rod Ring for 300E	C24
34390	Sharpener Push Button for 300E	A33	15191	Cam for 300E	A70	34438	Set Screw for 300E	C25
34391	Sharpener Pin Spring for 300E	A34	34415	Screw TE for 300E	A71	34439	Set Screw for 300E	C26
34392	Stud Screw for 300E	A35	34416	Screw TC for 300E	A72	34440	Tie Rod for 300E	C27
34393	Washer for 300E	A36	15192	Meat Deflector for 300E	A73	34441	Micro Switch for 300E	C28
34394	Screw TC for 300E	A37	15193	Screw TC for 300E	A74	15350	Complete Sharp. Assy. for 300E	

Parts Breakdown

Model MS-IT-0300-I 21624



Parts Breakdown

Model MS-IT-0300-I 21624

Item No.	Description	Position	Item No.	Description	Position	Item No.	Description	Position
34530	Housing for 300R	A1	34567	Screw TC for 300R	A37	34506	Meat Deflector for 300R	A73
34531	Set Screw TC for 300R	A2	34569	Clip for 300R	A38	15169	Screw TC for 300R	A74
34532	Set Screw TC for 300R	A3	34570	Clip for 300R	A39	34607	Copper Rivet for 300R	A75
34533	Guide Plate Pin for 300R	A4	34572	Bearing for 300R	A40	34608	Index Knob for 300R	A76
34534	Tapping Screw for 300R	A5	34573	Spacer for 300R	A41	34609	Screw Chrome for 300R	A77
34536	Stop Plate for 300R	A6	34574	Belt for 300R	A42	34610	Light for 300R	A78
34537	Strain Relief for 300R	A7	34575	Spindle Pulley for 300R	A43	34611	Switch - On / Off for 300R	A79
34538	Set Screw TP for 300R	A8	34576	Bearing and Shaft for 300R	A44	34612	Carriage Rail for 300R	A80
34539	Tie Rod for 300R	A9	34577	Set Screw for 300R	A45	34613	Bearing for 300R	A81
34540	Sharpener Tie Rod for 300R	A10	13594	Blade for 300R	A46	34614	Bearing Pin for 300R	A82
34541	Sharpener Support Bracket for 300R	A11	34579	Screw TPSV for 300R	A47	34615	Set Screw for 300R	A83
34542	Washer for 300R	A12	24542	Blade Cover for 300R	A48	34616	Set Screw PVC for 300R	A84
34543	Screw TE for 300R	A13	14893	Meat Grip Handle for 300R	A49	34617	Slide Bar Spring for 300R	A85
34544	Shaft for Sharpener for 300R	A14	14894	Meat Grip Handle Screw for 300R	A50	34618	Carriage Support for 300R	A86
34545	Sharpener Pin Spacer for 300R	A15	34582	Meat Grip for 300R	A51	34619	Screw TC for 300R	A87
34546	Sharpener Pin for 300R	A16	34490	Plastic Dowel for 300R	A52	34620	Carriage Slide Bar for 300R	A88
18016	Grinding Stone for 300R	A17	34584	Meat Tray Shaft Spring for 300R	A53	34621	Stop Plate for 300R	A89
34548	Washer for 300R	A18	34585	Meat Tray Shaft for 300R	A54	15073	Foot for 300R	A90
34549	Nut for 300R	A19	34586	Meat Tray for 300R	A55	34623	Capacitor for 300R	A91
34550	Set Screw for 300R	A20	34587	Guide Plate for 300R	A56	34624	Capacitor Bracket for 300R	A92
34551	Nut for 300R	A21	34588	Meat Tray Support for 300R	A57	34625	Screw TC for 300R	A93
34552	Screw TGS for 300R	A22	34589	Carriage Knob for 300R	A58	34626	Motor Spring for 300R	A94
34553	Sharpener Push Button for 300R	A23	34590	Screw TE for 300R	A59	34627	Motor Bracket for 300R	A95
34554	Ball Bearing for 300R	A24	34591	Screw TE for 300R	A60	34628	Wing Nut for 300R	A96
33032	Finishing Stone for 300R	A25	34592	Guide Plate Support for 300R	A61	34629	Washer for 300R	A97
34556	Sharpener Pin for 300R	A26	34593	Cam Plate for 300R	A62	34630	Hinge for 300R	A98
34557	Sharpener Pin Spring for 300R	A27	34594	Screw TC for 300R	A63	34631	Motor Support Shaft for 300R	A99
34558	Sharpener Cover for 300R	A28	34595	Set Screw TC for 300R	A64	34632	Motor Tie Rod for 300R	A100
34559	Sharpener Body for 300R	A29	34596	Cam Guide for 300R	A65	34633	Guide Plate Support Cover for 300R	A101
34560	Sharpener Pin Spacer for 300R	A30	34598	Nut for 300R	A66	34634	Motor for 300R	A103
34561	Washer for 300R	A31	34599	Cam Screw for 300R	A67	14859	Power Cord for 300R	A104
34562	Screw TC for 300R	A32	34600	Washer for 300R	A68	36531	Index Knob Spacer for 300R	A108
34563	Sharpener Push Button for 300R	A33	34601	Set Screw for 300R	A69	25161	Bottom Cover for 300R	C4
34564	Sharpener Pin Spring for 300R	A34	34602	Cam for 300R	A70	15350	Complete Sharpening Assy. for 300R	
34565	Stud Screw for 300R	A35	34603	Screw TE for 300R	A71	34597	Cam Assembly for 300R	
34566	Washer for 300R	A36	34604	Screw TC for 300R	A72			

Electrical Schematics

Model MS-IT-0220-B 13610

Model MS-IT-0220-U 13616

Model MS-IT-0250-B 13618

Model MS-IT-0250-U 13620

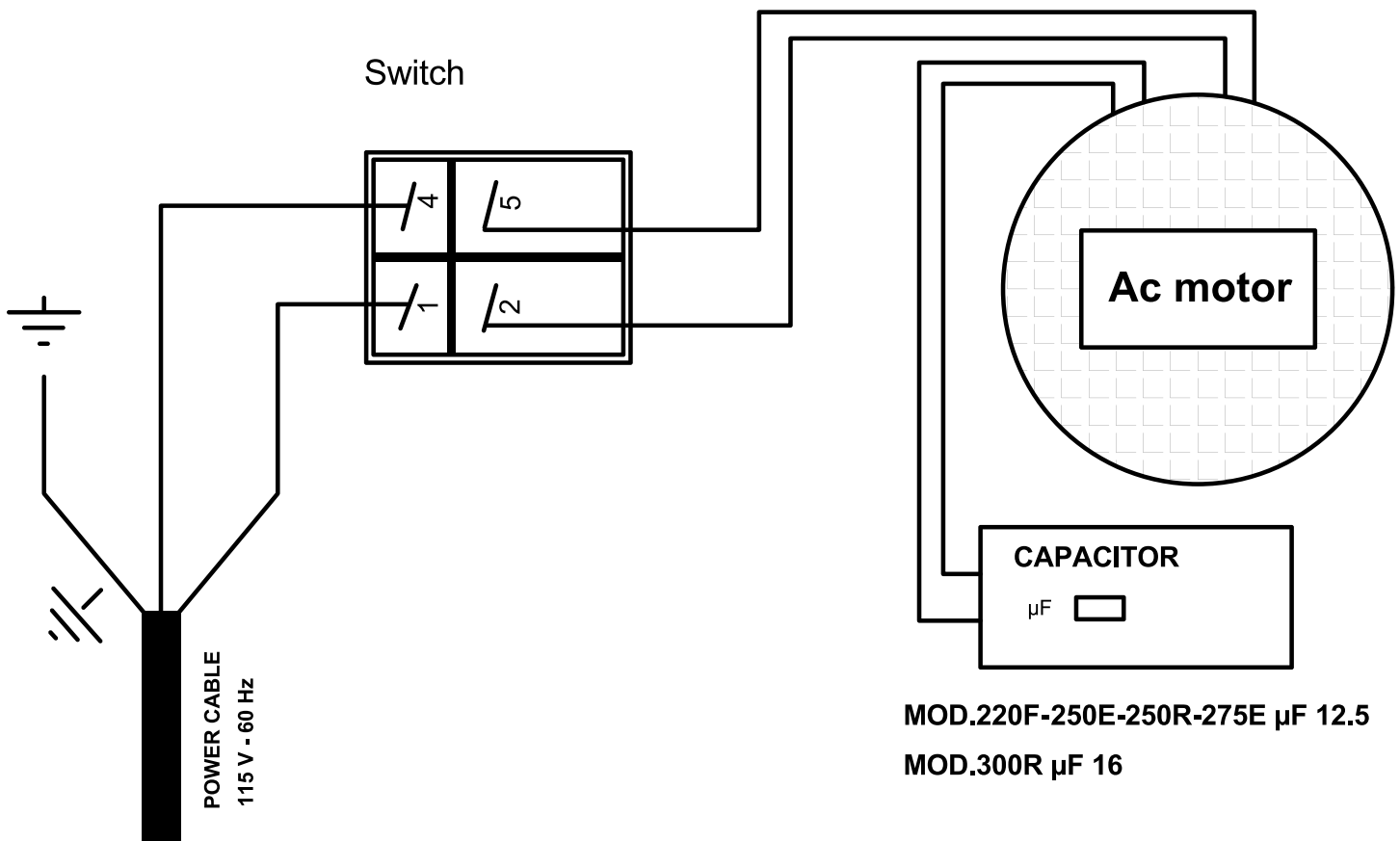
Model MS-IT-0250-I 13621

Model MS-IT-0250-IP 13623

Model MS-IT-0275-I 13625

Model MS-IT-0275-IP 13624

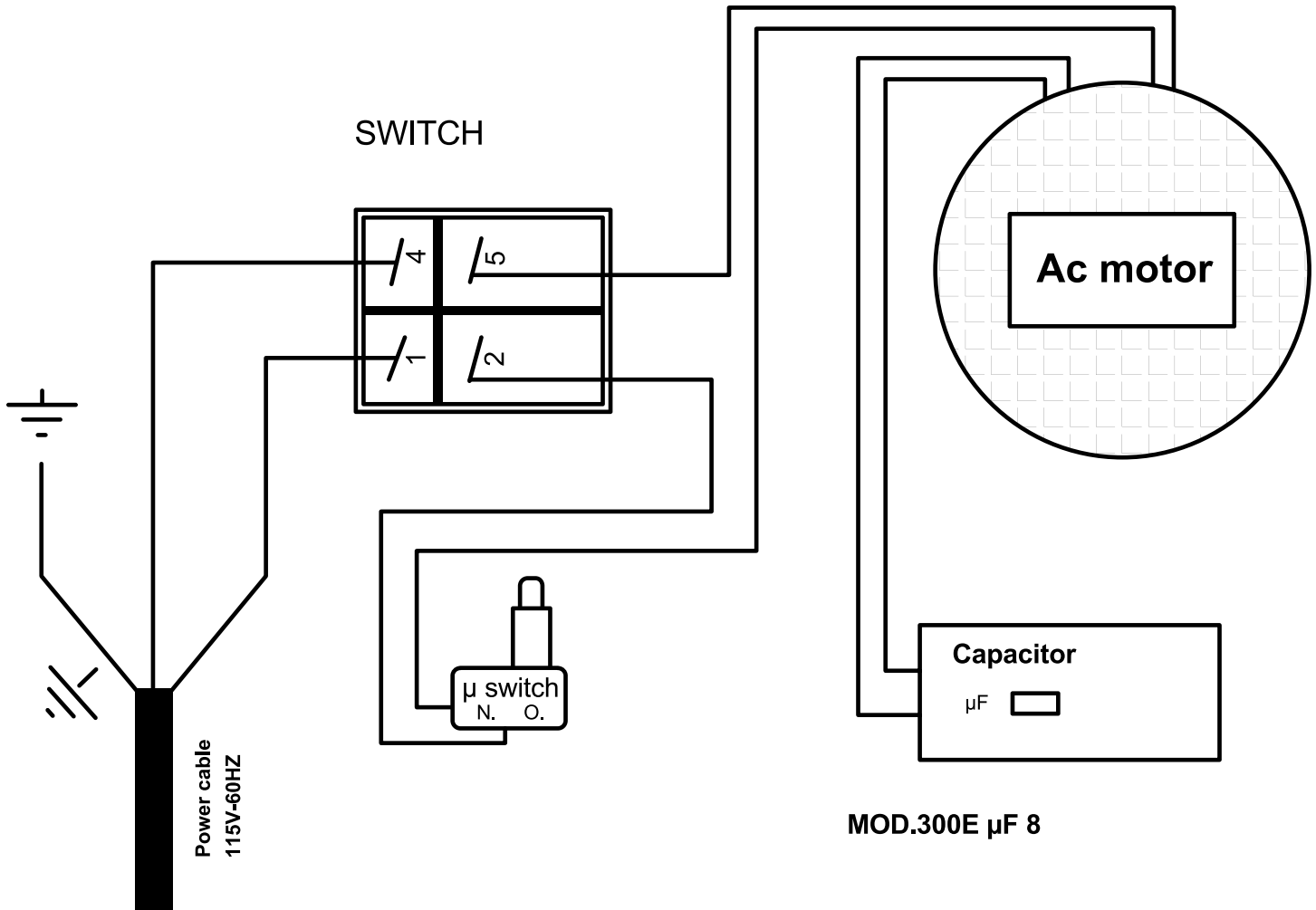
Model MS-IT-0300-I 21624



Electrical Schematics

Model MS-IT-0300-B 13626

Model MS-IT-0300-U 13628





Warranty Registration

Thank you for purchasing an Omcan product. To register your warranty for this product, complete the information below, tear off the card at the perforation and then send to the address specified below. You can also register online by visiting:

Merci d'avoir acheté un produit Omcan. Pour enregistrer votre garantie pour ce produit, complétez les informations ci-dessous, détachez la carte au niveau de la perforation, puis l'envoyer à l'adresse spécifiée ci-dessous. Vous pouvez également vous inscrire en ligne en visitant:

Gracias por comprar un producto Omcan usted. Para registrar su garantía para este producto, complete la información a continuación, cortar la tarjeta en la perforación y luego enviarlo a la dirección indicada a continuación. También puede registrarse en línea en:

www.omcan.com/warrantyregistration.html

For mailing in Canada

Pour postale au Canada

Por correo en Canadá

OMCAN

PRODUCT WARRANTY REGISTRATION

3115 Pepper Mill Court,

Mississauga, Ontario

Canada, L5L 4X5

For mailing in the US

Pour diffusion aux États-Unis

Por correo en los EE.UU.

OMCAN

PRODUCT WARRANTY REGISTRATION

4450 Witmer Industrial Estates, Unit 4,

Niagara Falls, New York

USA, 14305

or email to: service@omcan.com



Purchaser's Information

Name: _____

Address: _____

City: _____ Province or State: _____ Postal or Zip: _____

Country: _____

Dealer from which Purchased: _____

Dealer City: _____ Dealer Province or State: _____

Invoice: _____

Model Name: _____ Model Number: _____

Machine Description: _____

Date of Purchase (MM/DD/YYYY): _____

Would you like to extend the warranty? Yes No

Company Name: _____

Telephone: _____

Email Address: _____

Type of Company:

Restaurant Bakery Deli

Butcher Supermarket Caterer

Institution (*specify*): _____

Other (*specify*): _____

Serial Number: _____

Date of Installation (MM/DD/YYYY): _____

Thank you for choosing Omcan | Merci d'avoir choisi Omcan | Gracias por elegir Omcan



Since 1951 Omcan has grown to become a leading distributor of equipment and supplies to the North American food service industry. Our success over these many years can be attributed to our commitment to strengthen and develop new and existing relationships with our valued customers and manufacturers. Today with partners in North America, Europe, Asia and South America, we continually work to improve and grow the company. We strive to offer customers exceptional value through our qualified local sales and service representatives who provide convenient access to over 3,500 globally sourced products.

Depuis 1951 Omcan a grandi pour devenir un des “leaders” de la distribution des équipements et matériel pour l’industrie des services alimentaires en Amérique du Nord. Notre succès au cours de ces nombreuses années peut être attribué à notre engagement à renforcer et à développer de nouvelles et existantes relations avec nos clients et les fabricants de valeur. Aujourd’hui avec des partenaires en Amérique du Nord, Europe, Asie et Amérique du Sud, nous travaillons continuellement à améliorer et développer l’entreprise. Nous nous efforçons d’offrir à nos clients une valeur exceptionnelle grâce à nos ventes locales qualifiées et des représentants de service qui offrent un accès facile à plus de 3500 produits provenant du monde entier.

Desde 1951 Omcan ha crecido hasta convertirse en un líder en la distribución de equipos y suministros de alimentos en América del Norte industria de servicios. Nuestro éxito en estos años se puede atribuir a nuestro compromiso de fortalecer y desarrollar nuevas relaciones existentes con nuestros valiosos clientes y fabricantes. Hoy con socios de América del Norte, Europa, Asia y América del Sur, que trabajan continuamente para mejorar y crecer la empresa. Nos esforzamos por ofrecer a nuestros clientes valor excepcional a través de nuestro local de ventas y representantes de los servicios que proporcionan un fácil acceso a más de 3,500 productos con origen a nivel mundial.

