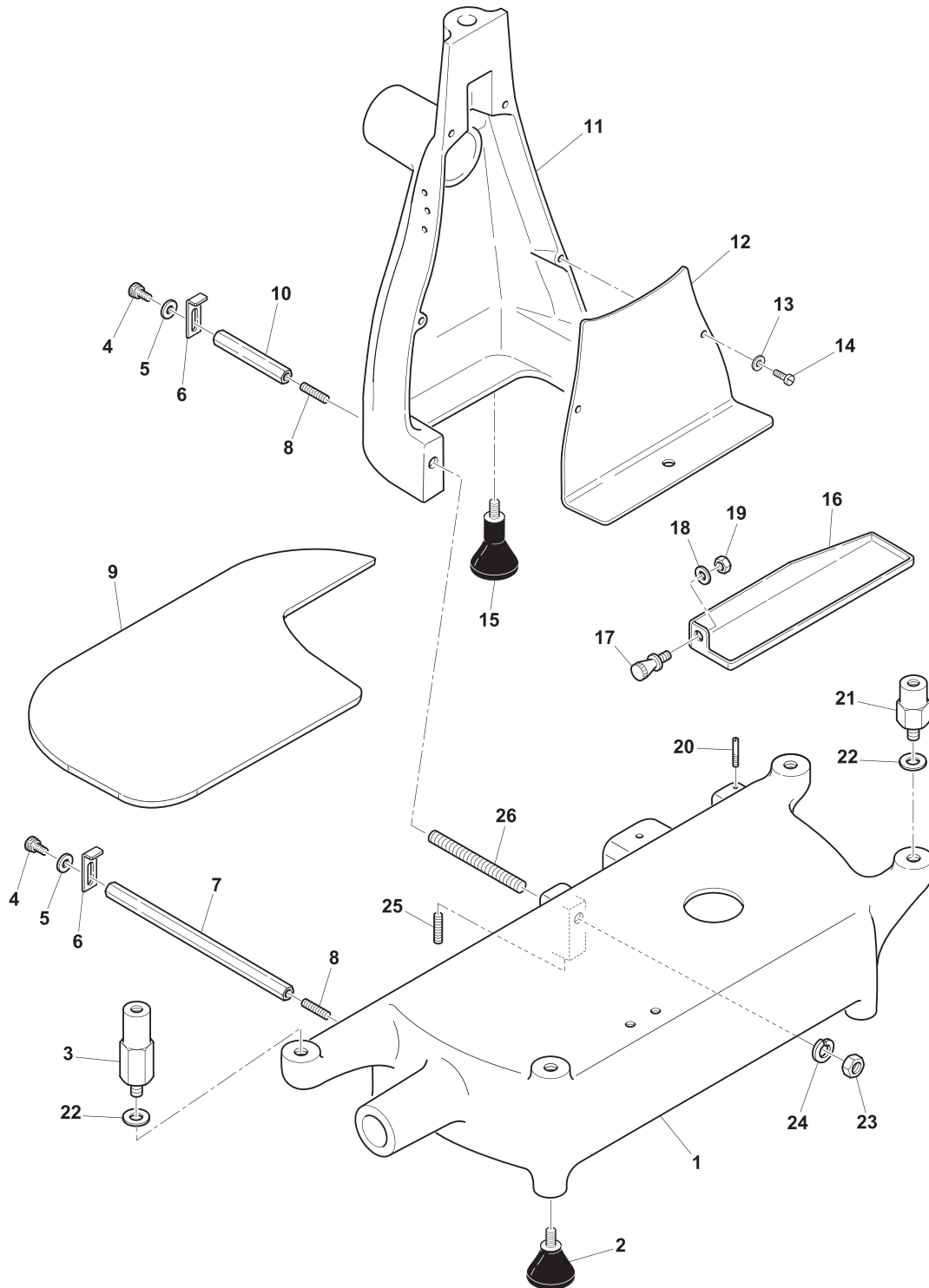


# Parts Breakdown

Model MS-IT-0250-M 20013

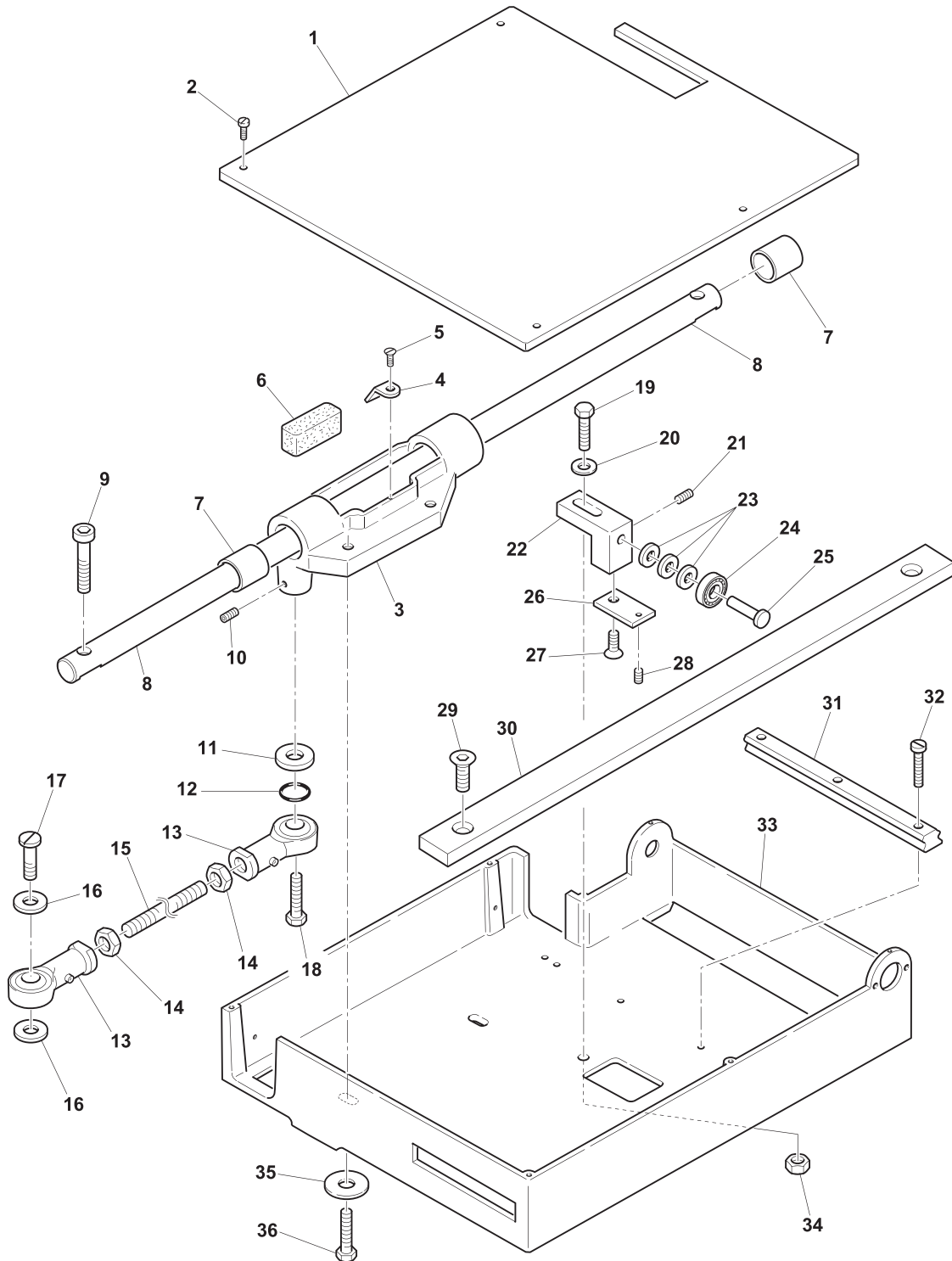
Base



# Parts Breakdown

Model MS-IT-0250-M 20013

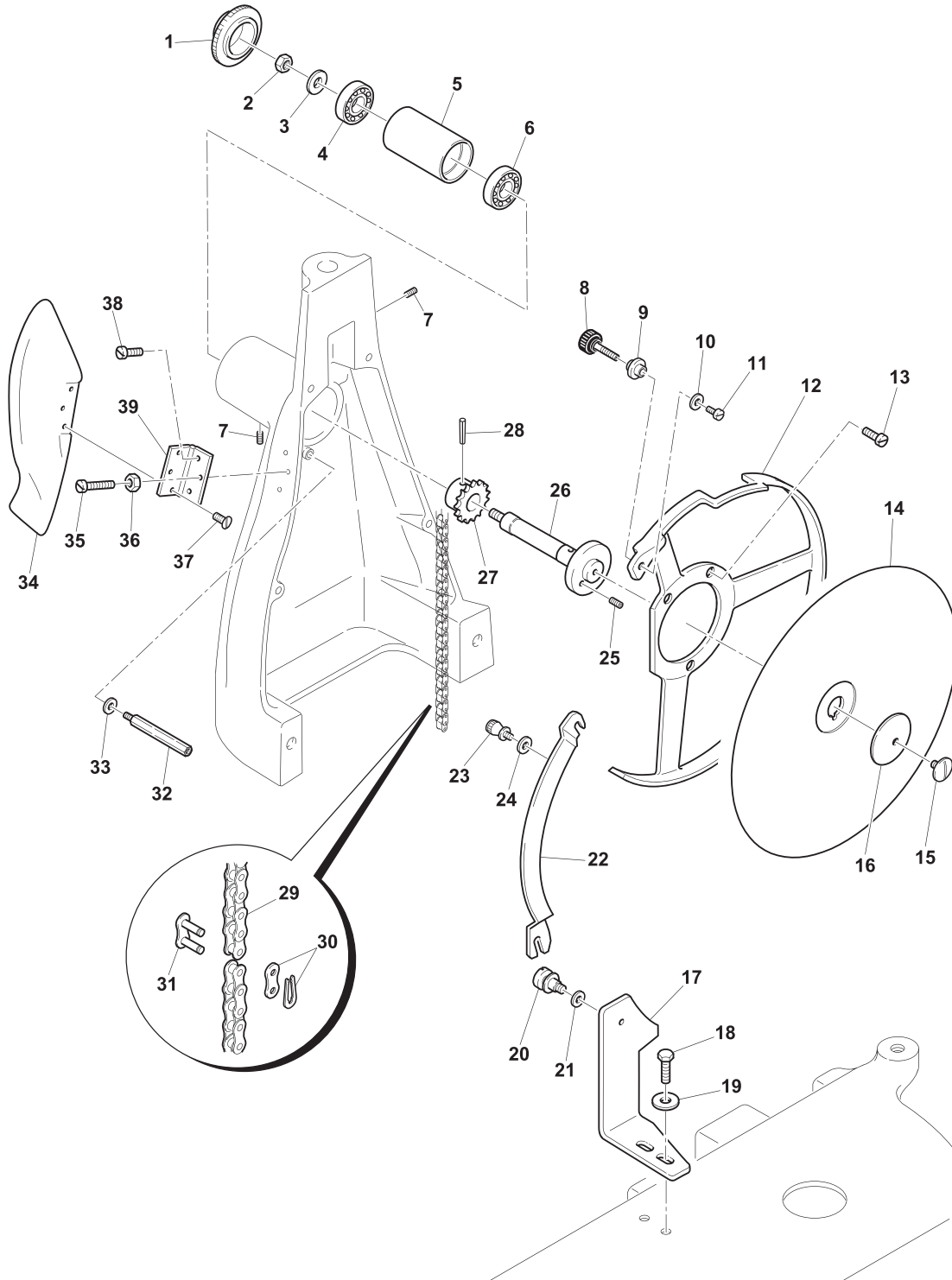
Cart Guide



# Parts Breakdown

Model MS-IT-0250-M 20013

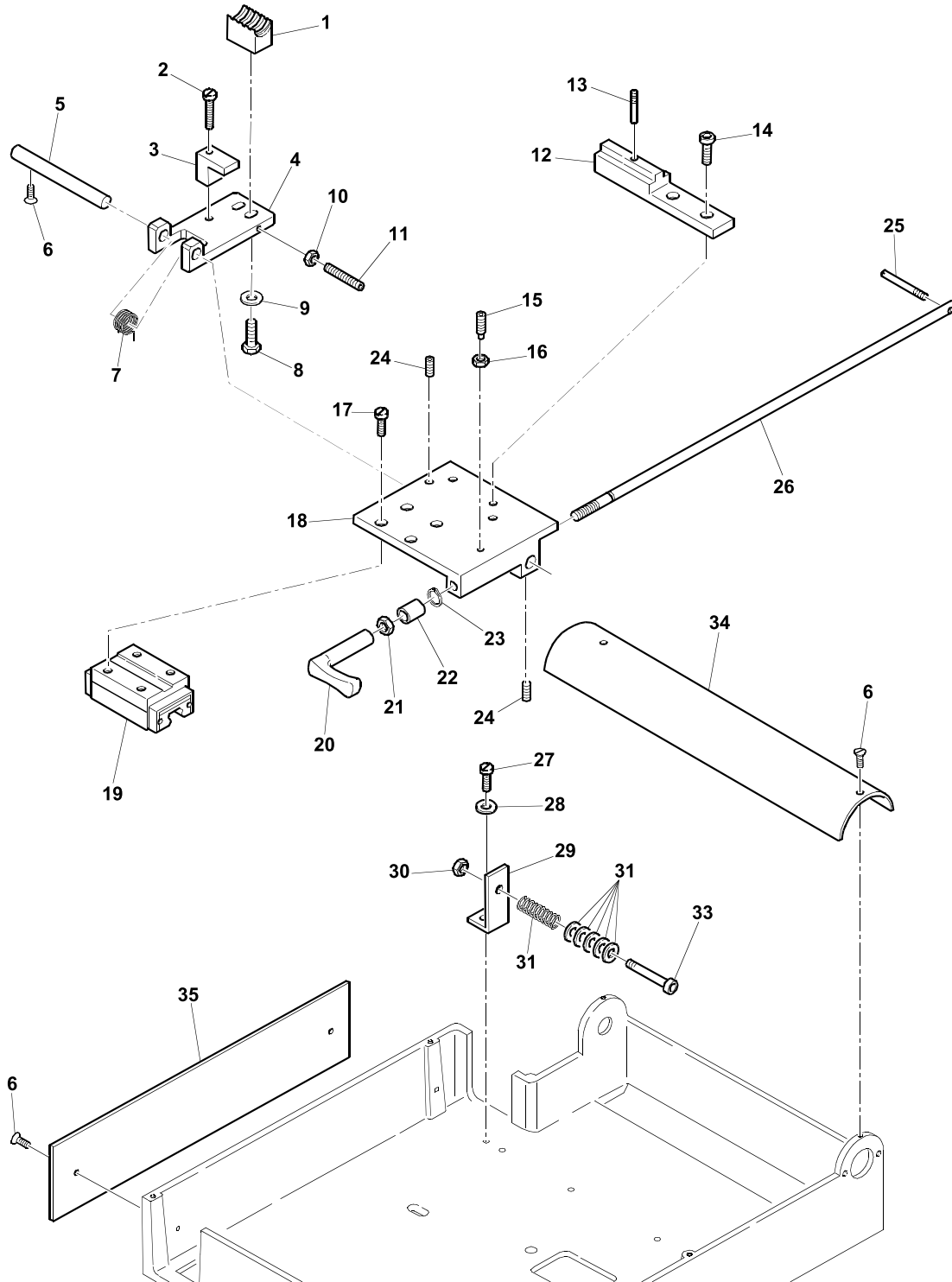
Blade Assembly



# Parts Breakdown

Model MS-IT-0250-M 20013

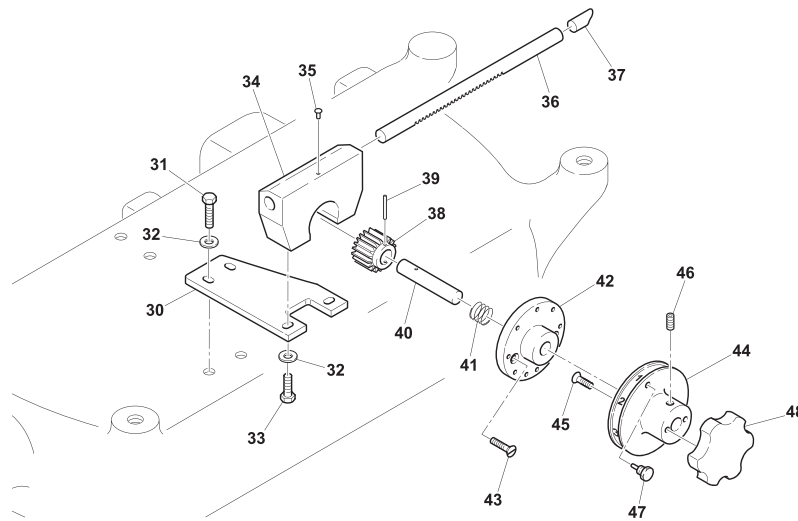
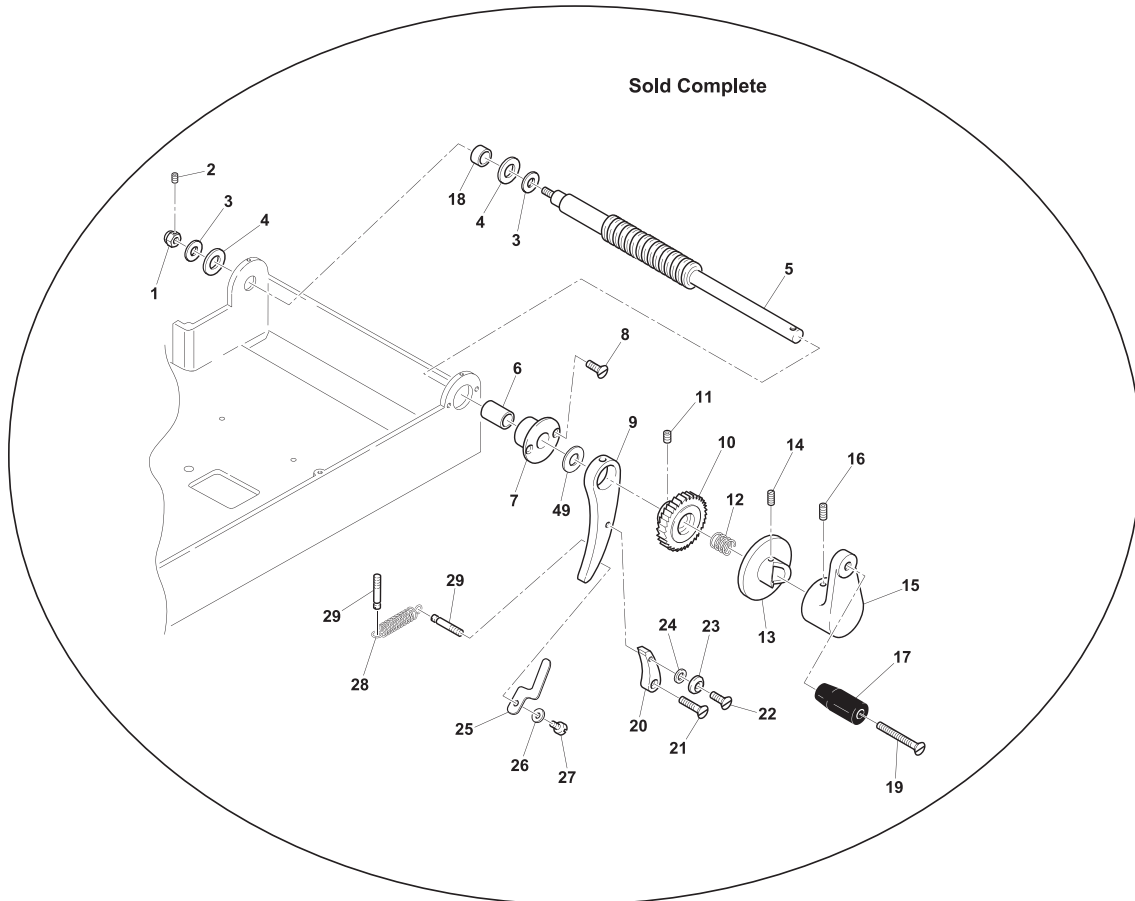
Cart



# Parts Breakdown

Model MS-IT-0250-M 20013

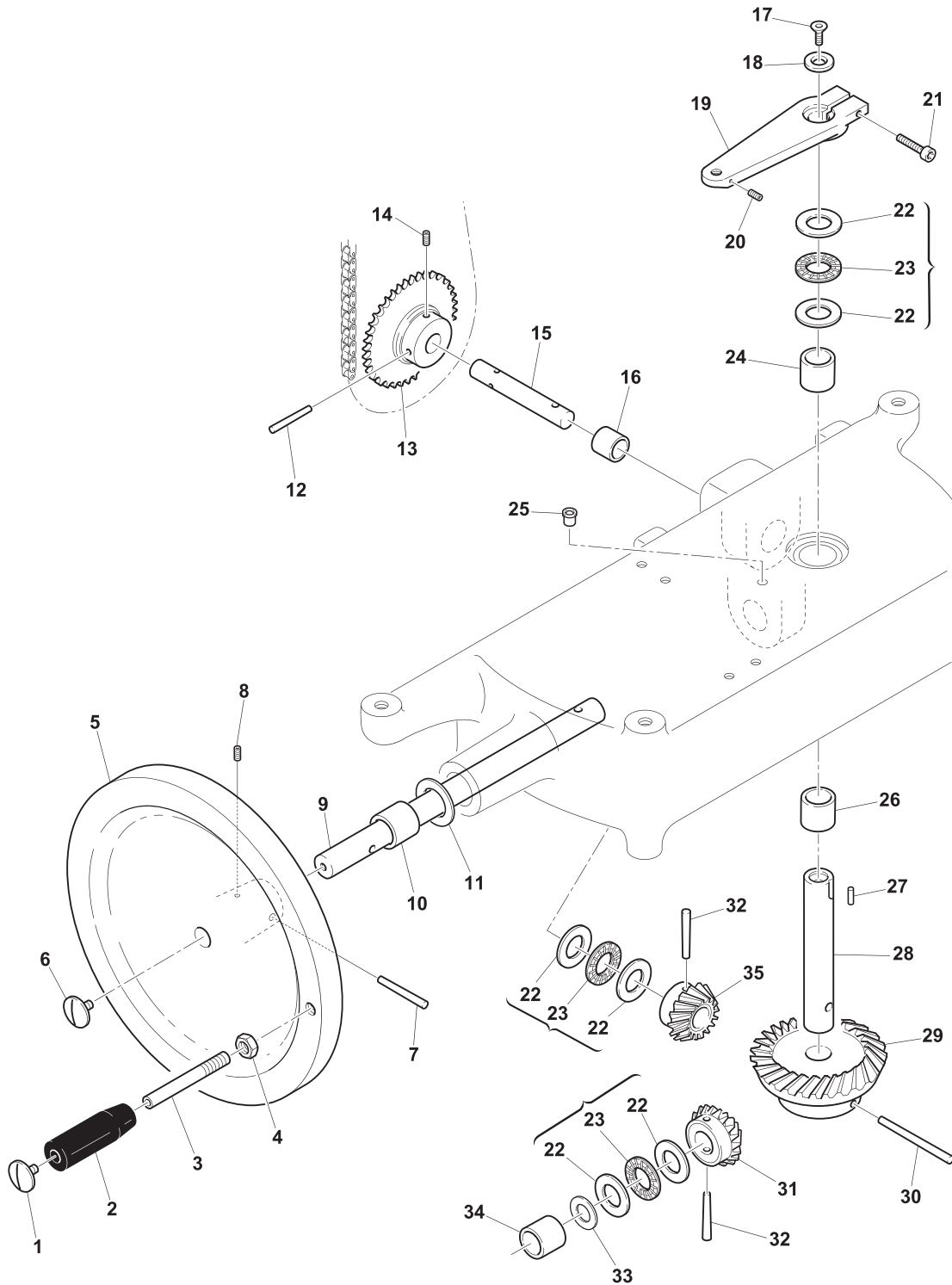
Thickness Adjustor



# Parts Breakdown

Model MS-IT-0250-M 20013

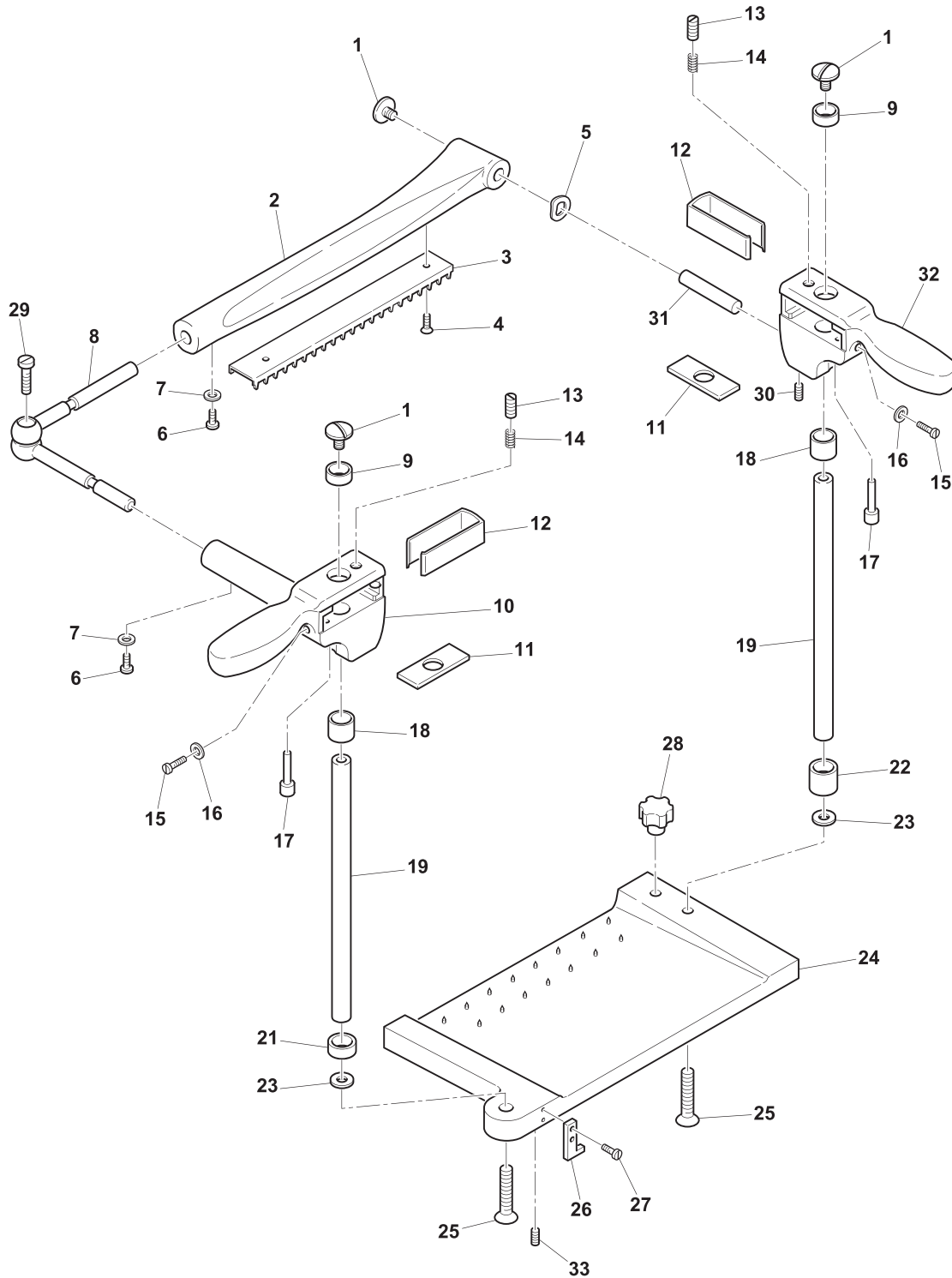
Fly Wheel



# Parts Breakdown

Model MS-IT-0250-M 20013

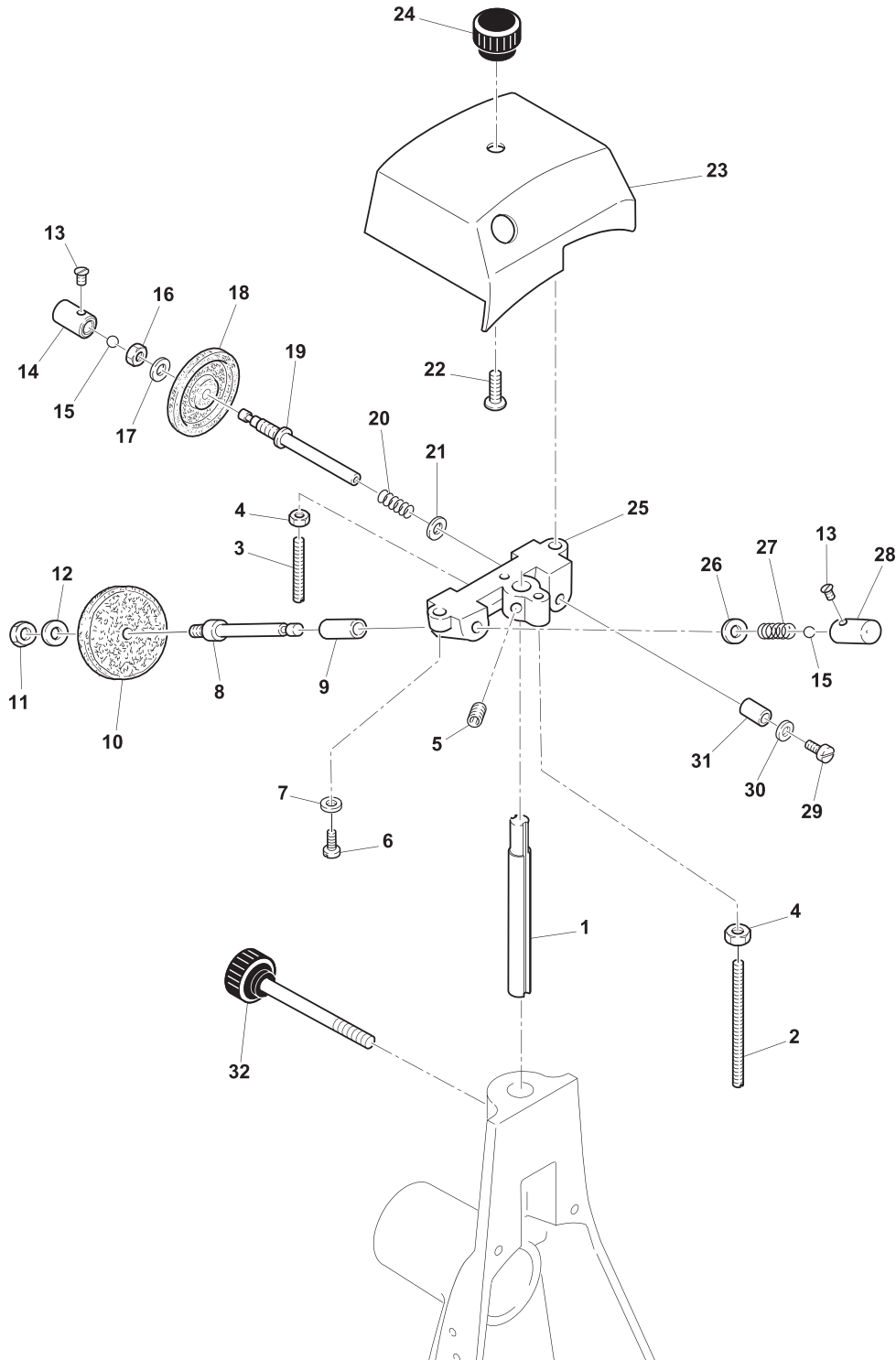
Meat Tray Assembly



# Parts Breakdown

Model MS-IT-0250-M 20013

Sharpening Assembly



# Parts Breakdown

**Model MS-IT-0250-M 20013**

**Base**

Item No.	Description	Position	Item No.	Description	Position	Item No.	Description	Position
32771	Housing for 20013	1	32780	Tray Support Bar for 20013	10	32789	Nut for 20013	19
32772	Foot for 20013	2	32781	Blade Assembly Casing for 20013	11	32790	Pin for 20013	20
32773	Slide Bar Support for 20013	3	32782	Chain Guard for 20013	12	32791	Slide Bar Support for 20013	21
32774	Thumb Screw for 20013	4	32783	Washer for 20013	13	32792	Washer for 20013	22
32775	Washer for 20013	5	32784	Screw for 20013	14	32793	Nut for 20013	23
32776	Plate Stop for 20013	6	32785	Foot for 20013	15	32794	Washer for 20013	24
32777	Tray Support Bar for 20013	7	32786	Tray for 20013	16	32795	Pin for 20013	25
32778	Pin for 20013	8	32787	Thumb Screw for 20013	17	32796	Pin for 20013	26
32779	Tray for 20013	9	32788	Washer for 20013	18			

## Cart Guide

Item No.	Description	Position	Item No.	Description	Position	Item No.	Description	Position
32797	Bottom Plate for 20013	1	32809	Joint for 20013	13	32821	Bearing Pin for 20013	25
32798	Screw for 20013	2	32810	Nut for 20013	14	32822	Tab for 20013	26
32799	Carriage Support for 20013	3	32811	Pin for 20013	15	32823	Screw for 20013	27
32800	Bracket for 20013	4	32812	Washer for 20013	16	32824	Set Screw for 20013	28
32801	Screw for 20013	5	32813	Screw for 20013	17	32825	Screw for 20013	29
32802	Wick for 20013	6	32814	Screw for 20013	18	32826	Carriage Rail for 20013	30
32803	Slide Bar Bushing for 20013	7	32815	Screw for 20013	19	32827	Slide Bar for 20013	31
32804	Carriage Slide Bar for 20013	8	32816	Washer for 20013	20	32828	Screw for 20013	32
32805	Screw for 20013	9	32817	Set Screw for 20013	21	32829	Plate Base for 20013	33
32806	Set Screw for 20013	10	32818	Sharpener Support Bracket for 20013	22	32830	Nut for 20013	34
32807	Washer for 20013	11	32819	Washer for 20013	23	32831	Washer for 20013	35
32808	Washer for 20013	12	32820	Bearing for 20013	24	32832	Screw for 20013	36

# Parts Breakdown

**Model MS-IT-0250-M 20013**

**Blade Assembly**

Item No.	Description	Position	Item No.	Description	Position	Item No.	Description	Position
32833	Blade Shaft Cap for 20013	1	24039	Blade for 20013	14	32859	Pinion for 20013	27
32834	Nut for 20013	2	32847	Screw Chrome for 20013	15	32860	Pin for 20013	28
32835	Washer for 20013	3	32848	Washer for 20013	16	32861	Chain for 20013	29
32836	Bearing for 20013	4	32849	Bracket for 20013	17	32862	Chain Link for 20013	30
32837	Sleeve for 20013	5	32850	Screw for 20013	18	32863	Chain Link for 20013	31
32838	Bearing for 20013	6	32851	Washer for 20013	19	32864	Guide Rod for 20013	32
32839	Set Screw for 20013	7	32852	Thumb Screw for 20013	20	32865	Washer for 20013	33
32840	Thumb Screw for 20013	8	32853	Washer for 20013	21	32866	Meat Deflector for 20013	34
32841	Spacer for 20013	9	32854	Blade Guard for 20013	22	32867	Screw for 20013	35
32842	Washer for 20013	10	32855	Screw for 20013	23	31315	Nut for 20013	36
32843	Screw for 20013	11	32856	Washer for 20013	24	31314	Screw for 20013	37
32844	Safety Guard Ring for 20013	12	32857	Set Screw for 20013	25	32868	Screw for 20013	38
32845	Screw for 20013	13	32858	Bearing and Shaft for 20013	26	31325	Hinge for 20013	39

## Cart

Item No.	Description	Position	Item No.	Description	Position	Item No.	Description	Position
32869	Comb Block for 20013	1	32881	Pin for 20013	13	32893	Pin for 20013	25
32870	Screw for 20013	2	32882	Socket Head Screw for 20013	14	32894	Needle Rod for 20013	26
32871	Sharpener Support Bracket for 20013	3	32883	Pin for 20013	15	32895	Screw for 20013	27
32872	Support Mount for 20013	4	32884	Nut for 20013	16	32896	Washer for 20013	28
32873	Pivot Rod for 20013	5	32885	Screw for 20013	17	32897	Tab for 20013	29
32874	Screw for 20013	6	32886	Moving Plate for 20013	18	32898	Nut for 20013	30
32875	Spring for 20013	7	32887	Side Plate for 20013	19	32899	Spring for 20013	31
32876	Screw for 20013	8	32888	Leveler for 20013	20	32900	Washer for 20013	32
32877	Washer for 20013	9	32889	Nut for 20013	21	32901	Socket Head Screw for 20013	33
32878	Nut for 20013	10	32890	Bushing for 20013	22	32902	Slide Bar Cover for 20013	34
32879	Pin for 20013	11	32891	Clip for 20013	23	32903	Bottom Plate Cover for 20013	35
32880	Mount for 20013	12	32892	Pin for 20013	24			



# Parts Breakdown

## Model MS-IT-0250-M 20013

## Thickness Adjustor

Item No.	Description	Position	Item No.	Description	Position	Item No.	Description	Position
32904	Acorn Nut for 20013	1	32921	Feed Screw Bushing for 20013	18	32938	Rivet for 20013	35
32905	Set Screw for 20013	2	32922	Screw for 20013	19	32939	Fly Rod for 20013	36
32906	Washer for 20013	3	32923	Small Skip Latch for 20013	20	32940	Rod PVC for 20013	37
32907	Washer for 20013	4	32924	Screw for 20013	21	32941	Gear for 20013	38
32908	Feed Screw Shaft for 20013	5	32925	Screw for 20013	22	32942	Pin for 20013	39
32909	Bushing for 20013	6	32926	Nut for 20013	23	32943	Steel Pin for 20013	40
32910	Feed Pin Bushing for 20013	7	32927	Washer for 20013	24	32944	Spring for 20013	41
32911	Screw for 20013	8	32928	Small Spring for 20013	25	32945	Nut for 20013	42
32912	Big Skip Latch for 20013	9	32929	Washer for 20013	26	32946	Screw for 20013	43
32913	Gear for 20013	10	32930	Screw for 20013	27	32947	Graduated Scale for 20013	44
32914	Set Screw for 20013	11	32931	Spring for 20013	28	32948	Screw for 20013	45
32915	Spring for 20013	12	32932	Pin for 20013	29	32949	Set Screw for 20013	46
32916	Wheel Plate for 20013	13	32933	Mounting Plate for 20013	30	32950	Thumb Screw for 20013	47
32917	Set Screw for 20013	14	32934	Bolt for 20013	31	32951	Adjustment Knob for 20013	48
32918	Feed Plate Handle Mount for 20013	15	32935	Washer for 20013	32	37563	Washer for 20013	49
32919	Set Screw for 20013	16	32936	Screw for 20013	33	31317	Complete Assembly for 20013	1 - 29, 49
32920	Handle for 20013	17	32937	Index Mount for 20013	34			

## Fly Wheel

Item No.	Description	Position	Item No.	Description	Position	Item No.	Description	Position
31321	Screw for 20013	1	32962	Pinion for 20013	13	32974	Brass Bushing for 20013	26
31320	Knob for 20013	2	32963	Set Screw for 20013	14	32975	Set Screw for 20013	27
32952	Fly Wheel Handle Shaft for 20013	3	32964	Gear Shaft for 20013	15	32976	Gear Pivot for 20013	28
32953	Nut for 20013	4	32965	Brass Bushing for 20013	16	32977	Gear for 20013	29
32954	Fly Wheel for 20013	5	32966	Screw for 20013	17	32978	Pin for 20013	30
32955	Screw Chrome for 20013	6	32967	Washer for 20013	18	32979	Gear for 20013	31
32956	Pin for 20013	7	32968	Support Mount for 20013	19	32980	Pin for 20013	32
32957	Set Screw for 20013	8	32969	Set Screw for 20013	20	32981	Washer for 20013	33
32958	Gear Shaft for 20013	9	32970	Socket Head Screw for 20013	21	32982	Brass Bushing for 20013	34
32959	Brass Bushing for 20013	10	32971	Axial Bearing for 20013	22 - 23	32983	Gear for 20013	35
32960	Washer for 20013	11	32972	Brass Bushing for 20013	24			
32961	Pin for 20013	12	32973	Oiler for 20013	25			

# Parts Breakdown

## Model MS-IT-0250-M 20013

## Meat Tray Assembly

Item No.	Description	Position	Item No.	Description	Position	Item No.	Description	Position
32984	Screw Chrome for 20013	1	32995	U-Bracket for 20013	12	31319	Upper Plate for 20013	24
32985	Meat Grip Holder for 20013	2	32996	Set Screw for 20013	13	33006	Screw TPSV for 20013	25
32986	Meat Grip Bar for 20013	3	32997	Set Screw for 20013	14	33007	Plate Lock for 20013	26
32987	Screw TPSV for 20013	4	32998	Screw TC for 20013	15	33008	Screw TC for 20013	27
32988	Wavy Washer for 20013	5	32999	Washer for 20013	16	33009	Tightening Knob for 20013	28
32989	Screw TC for 20013	6	33000	Socket Head Screw for 20013	17	33010	Screw TC for 20013	29
32990	Washer for 20013	7	33001	Bar Bushing for 20013	18	33011	Set Screw for 20013	30
32991	Joint for 20013	8	33002	Cam for 20013	19	33012	Steel Pin for 20013	31
32992	Bar Bushing for 20013	9	33003	Spacer for 20013	21	33013	Handle for 20013	32
32993	Handle for 20013	10	33004	Spacer for 20013	22	33014	Set Screw for 20013	33
32994	Brake Tab for 20013	11	33005	Washer for 20013	23			

## Sharpening Assembly

Item No.	Description	Position	Item No.	Description	Position	Item No.	Description	Position
33015	Shaft for Sharpener for 20013	1	33026	Washer for 20013	12	33037	Sharpener Cover for 20013	23
33016	Pin for 20013	2	33027	Push Button Screw for 20013	13	33038	Sharpener Cover Knob for 20013	24
33017	Pin for 20013	3	33028	Sharpener Push Button for 20013	14	33039	Sharpener Body for 20013	25
33018	Nut 5 for 20013	4	33029	Ball Bearing for 20013	15	33040	Washer for 20013	26
33019	Set Screw 6 X 8 for 20013	5	33030	Nut for 20013	16	33041	Spring for 20013	27
33020	Screw TC 4 X 16 for 20013	6	33031	Washer for 20013	17	33042	Sharpener Push Button for 20013	28
33021	Washer 5 for 20013	7	33545	Finishing Stone for 20013	18	33043	Screw TC for 20013	29
33022	Sharpener Pin for 20013	8	33033	Sharpener Pin for 20013	19	33044	Washer for 20013	30
33023	Pin Bushing for 20013	9	33034	Spring for 20013	20	33045	Pin Bushing for 20013	31
18016	Grinding Stone for 20013	10	33035	Washer for 20013	21	33046	Thumb Screw for 20013	32
33025	Nut 6 for 20013	11	33036	Screw TPSV for 20013	22			