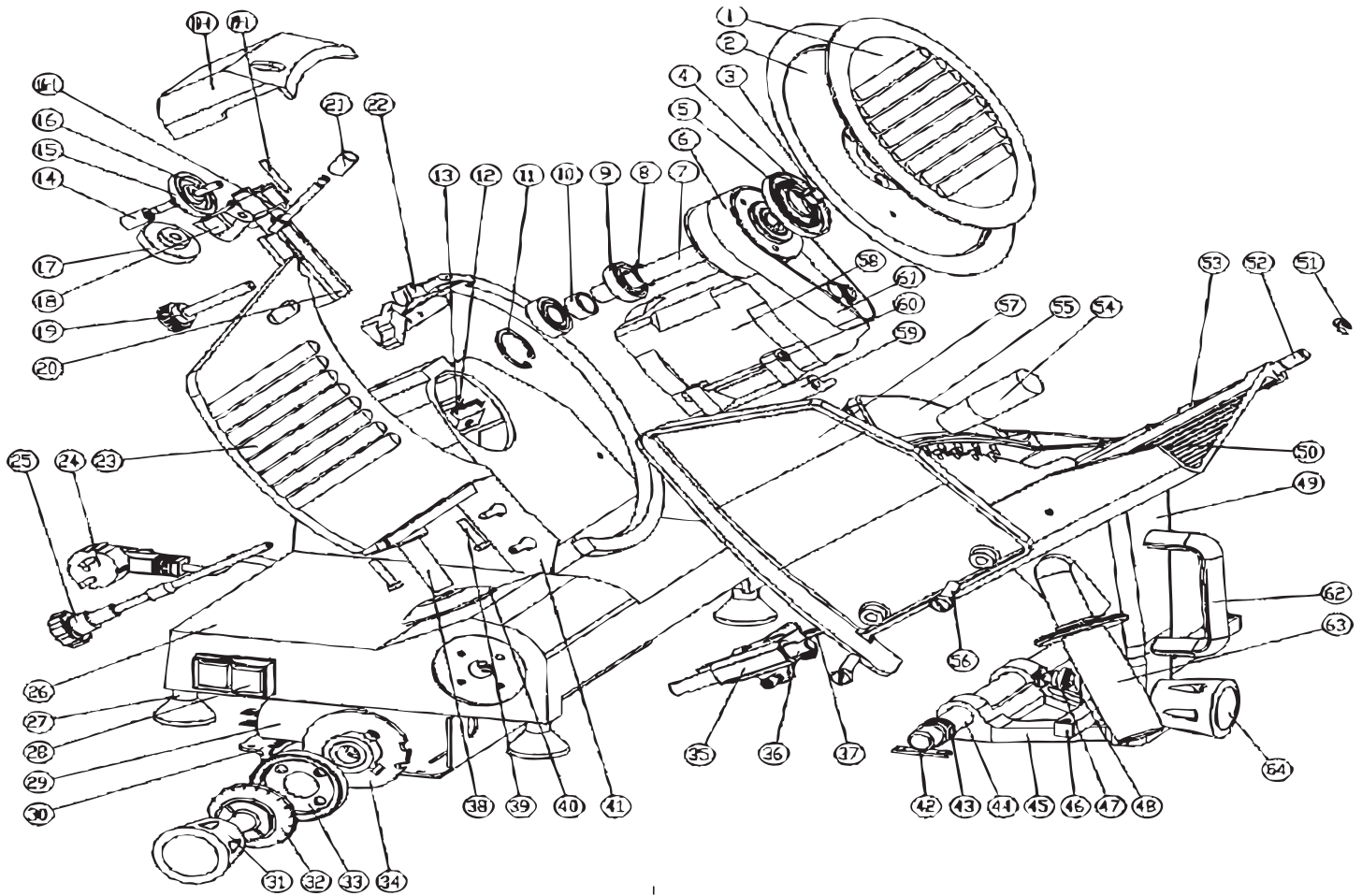


Parts Breakdown

Model MS-CN-0220-C 41710



Parts Breakdown

Model MS-CN-0220-C 41710

Item No.	Description	Position	Item No.	Description	Position	Item No.	Description	Position
20564	Protection Plate for 41710	1	20609	Sharpening Controller for 41710	21	20581	Spring for 41710	43
20563	Knife for 41710	2	20614	Protection Circle for 41710	22	20580	Circle Orbit for 41710	44
20562	Screw for 41710	3	20601	Locking Plate for 41710	23	20579	Sliding Core for 41710	45
AD406	Sealing Ring for Blade Shaft for 41710	4	20606	Wire for 41710	24	20575	Square Orbit for 41710	46
AD407	Sealing Ring for Blade Spindle for 41710	5	20602	Pull Pole for 41710	25	20578	Bearing of Spindle for 41710	47
20561	Sleeve of Knife for 41710	6	20600	Body for 41710	26	20577	Spindle for 41710	48
20560	Spindle of Knife for 41710	7	20599	Foot for 41710	27	20574	Sliding Stand for 41710	49
20555	Blocking Ring for 41710	8	27549	On/Off Switch 5 Pins 120VAC for 41710	28	20571	Carriage for 41710	50
20556	Bearing for 41710	9	20596	Capacitor for 41710	29	AD410	Circlip for 41710	51
20557	Isolating Sleeve for 41710	10	20597	Bottom Plate for 41710	30	20569	Sliding Pole for 41710	52
AD408	Blocking Ring for Hole for 41710	11	20590	Adjusting Handle Bar for 41710	31	AD411	Bearing for Pole of Carriage for 41710	53
20616	Microswitch for 41710	12	20591	Digital Plate for 41710	32	20572	Hand Bar of Pressing for 41710	54
AD409	Bracket for Microswitch for 41710	13	20592	Digital Ring for 41710	33	20570	Pressing for 41710	55
20609	Sharpening Controller for 41710	14	20588	Cams for 41710	34	20583	Screw for Plastic Board for 41710	56
20610	Sharpening Wheel for 41710	15	20586	Sliding Holder for 41710	35	20573	Plastic Protection with Screw for 41710	57
20607	Spindle of Wheel for 41710	16	20584	Spindle for 41710	36	20566	Motor for 41710	58
20612	Spindle of Wheel for 41710	16-1	20585	Bolt for 41710	37	20568	Board of Motor for 41710	59
20613	Sharpening Wheel for 41710	17	20595	Stand of Locking Plate for 41710	38	20567	Hinge Spindle for 41710	60
20611	Stand of Wheel for 41710	18	20594	Screw for 41710	39	20565	Belt 288mm x 22mm PU Material for 41710	61
20608	Cover of Wheel for 41710	18-1	20593	Waterproof Gasket for 41710	40	66036	Carriage Handle for 41710	63
20605	Screw for 41710	19	20603	Scraping Board for 41710	41	20514	Holder Handlebar for 41710	64
20604	Stand of Sharpener for 41710	20	20582	Screw for 41710	42	42179	Complete Sharpening Assy. for 41710	