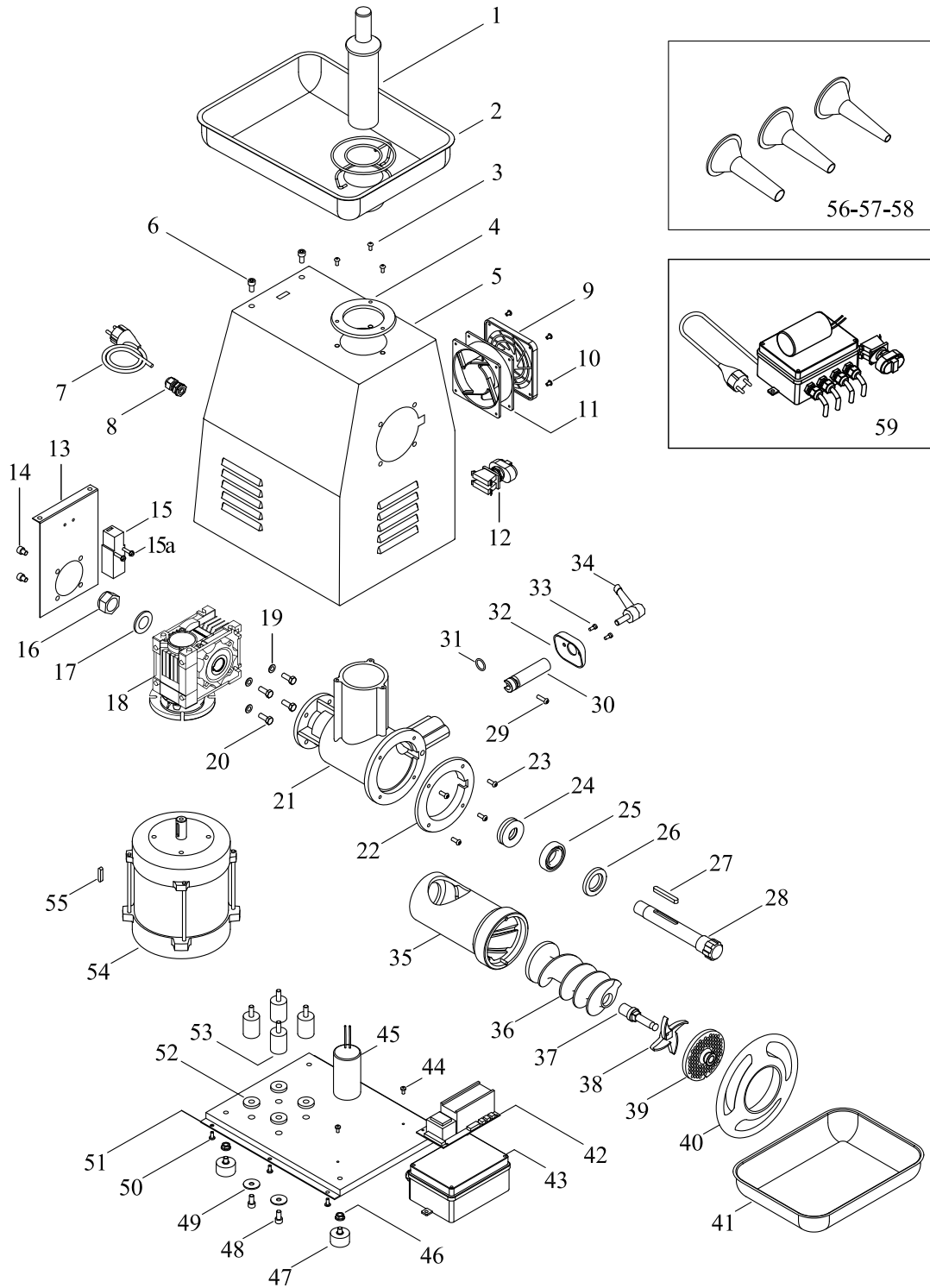


# Parts Breakdown

Model MG-IT-0032-C 39714



# Parts Breakdown

## Model MG-IT-0032-C 39714

Item No.	Description	Position	Item No.	Description	Position	Item No.	Description	Position
70162	Pestle for 39714	1	15363	Screw 8x20 for 39714	20	70202	Stainless Steel Wheel Round for 39714	40
70163	Hopper D76 Big Prot.Mano + Fork for 39714	2	70183	Internal Aluminum for 39714	21	15456	Pan Dim 300x220 for 39714	41
70164	Steel Screw 5x12 (3 pcs.) for 39714	3	70184	Flange Front Inox for 39714	22	70204	Circuit Board with Reversal for 39714	42
70165	Upper Flange Inox D76 for 39714	4	70185	Steel Screw 6x16 (4 pcs.) for 39714	23	70205	Electrical Box + PG for 39714	43
70166	Casing Steel for 39714	5	70186	Thrust Bearing 51305 for 39714	24	70206	Tapping Screw 4.6x10 (2 pcs.) for 39714	44
70167	Steel Screw 8x16 (2 pcs.) for 39714	6	70187	Bearing 6006 2RS for 39714	25	70207	Condenser 55 uF for 39714	45
70168	Cable with Plug Mod.Schuko V.230 for 39714	7	70188	Oil Seal 30x55x7 for 39714	26	70208	Self-Locking Nut M8 (4 pcs.) for 39714	46
15407	Gland PG11 for 39714	8	70189	Key 6x6x30 for 39714	27	70209	Foot Rubber Thread (4 pcs.) for 39714	47
70170	Filter only Three Phase for 39714	9	70190	Pin Driver Helix for 39714	28	70210	Screw M6x20 (4 pcs.) for 39714	48
70171	4x45 Screw for Fan (4 pcs.) for 39714	10	70191	Wheat Inox 6x20 for 39714	29	70211	Washer 6x18x1.5 (4 pcs.) for 39714	49
70172	Fan 230V only Single Phase for 39714	11	70192	Mouth Stopping Pin for 39714	30	70212	Screw 5x12 (6 pcs.) for 39714	50
70173	Switch Triple 24V. Reverse for 39714	12	70193	Ring 3075 for 39714	31	70213	Fund Closure for 39714	51
70174	Bracket Door Micro for 39714	13	70194	Stud Stainless Steel Lever for 39714	32	70214	Rubber Anti for 39714	52
70175	Screw 8x12 (4 pcs.) for 39714	14	70195	Steel Screw 5x12 (2 pcs.) for 39714	33	70215	Vibration Motor for 39714	53
70176	Micro Switch for 39714	15	70196	Lever Stop for Mouth Reels for 39714	34	70216	Complete Motor V.230 / 60Hz Hp.3 for 39714	54
70177	Screw + Nut for Micro 5x35 (2 pcs.) for 39714	15a	70197	Mouth Meat Inox for 39714	35	70189	Key 6x6x30 for 39714	55
70178	Self-Locking Nut M24x1.5 for 39714	16	70198	Stainless Steel Worm and Pin for 39714	36	70218	Funnel Mod.32 Hole 15 for 39714	56
70179	Washer 25x40x2 for 39714	17	70199	Pin Knifeholder for 39714	37	70219	Funnel Mod.32 Hole 20 for 39714	57
70180	Gear for 39714	18	11079	ES Machine Knife Stainless Steel #32 for 39714	38	70220	Funnel Mod.32 Hole 25 for 39714	58
70181	Washer 8x16x1.5 (4 pcs.) for 39714	19	43565	ES #32 HS Plate with HUB 3/8 10mm Three Notches / Round for 39714	39	70221	Kit Electrical V.230 / 50-60Hz for 39714	59