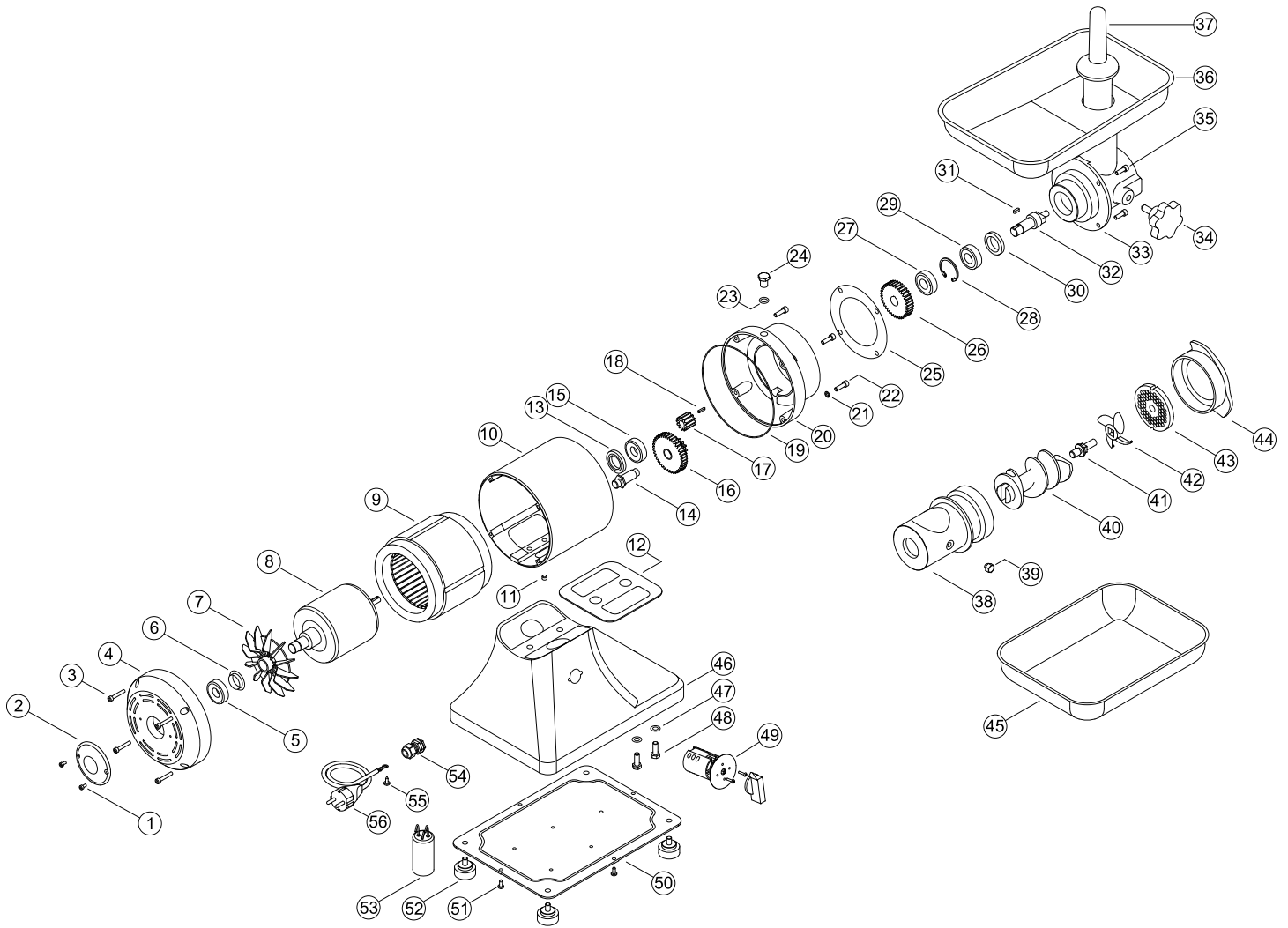


Parts Breakdown

Model MG-IT-0022-C 11053



Parts Breakdown

Model MG-IT-0022-C 11053

Item No.	Description	Position	Item No.	Description	Position	Item No.	Description	Position
15351	Screw 4x8 for 11053	1	15458	Ring 164 5x2 - Oil Seal for 11053	19	15451	Cast Iron Jacket Holder (Grub Screw Included) for 11053	38
15352	Disc Locking ABS DA 80mm for 11053	2	15441	Motor Cover - Front for 11053	20	15452	Grub Screw for 11053	39
68910	Aluminum Closing Disc 80mm for 11053	2	15459	Washer for 11053	21	15453	Worm and Pin Aluminum for 11053	40
15353	Screw 5x30 for 11053	3	15442	Screw 6x20 for 11053	22	15454	Worm Pin for 11053	41
15380	Back Motor Cover for 11053	4	AI213	O-Ring 3037 for 11053	23	15455	Ring for 11053	44
15381	Bearing 6203 ZZ for 11053	5	15444	Brass Oil Cap for 11053	24	15456	Pan Dim 300 x 220 for 11053	45
15414	Ring for 11053	6	15448	Seal for 11053 for 11053	25	18658	Base for 11053	46
15415	Fan for 11053	7	15393	Gear for 11053	26	70181	Washer 8x16x1.5 (4 pcs.) for 11053	47
AI211	Shaft with Rotor V.230 / 50 Hz. for 11053	8	15381	Bearing 6203 ZZ for 11053	27	15410	Screw 8x22 for 11053	48
20178	Stator for 11053	9	15394	Seeger of 40 for 11053	28	17701	Switch for 11053	49
AI209	Long Banded Motor Housing for 11053	10	15389	Bearing 6203 2RS for 11053	29	19378	Bipolar Switch for 11053	49
AD423	Wheat 8x6 for 11053	11	15387	Oil Seal 40x25x7 for 11053	30	AI214	Base Closing Bottom for 11053	50
AI212	Base Gasket for 11053	12	46421	Key 4x4x12mm for Big Gear for 11053	31	15412	Screw 4 8x12 for 11053	51
15387	Oil Seal 40x25x7 for 11053	13	15395	Transmission Pin for 11053	32	79564	Rubber Feet with Screw for 11053	52
15447	Gear Pin for 11053	14	15450	Jacket Holder for 11053	33	19379	Capacitor UF20 for 11053	53
15389	Bearing 6203 2RS for 11053	15	15401	Knob for 11053	34	15407	Grand PG11 for 11053	54
15392	Double Gear for 11053	16	15443	Screw 6x18 for 11053	35	15351	Screw 4x8 for 11053	55
15390	Propeller Gear for 11053	17	42929	Hopper for 11053	36	70168	Cable with Plug Mod.Schuko V.230 for 11053	56
15391	Key 3x3x15mm for 11053	18	46295	Plunger for 11053	37			