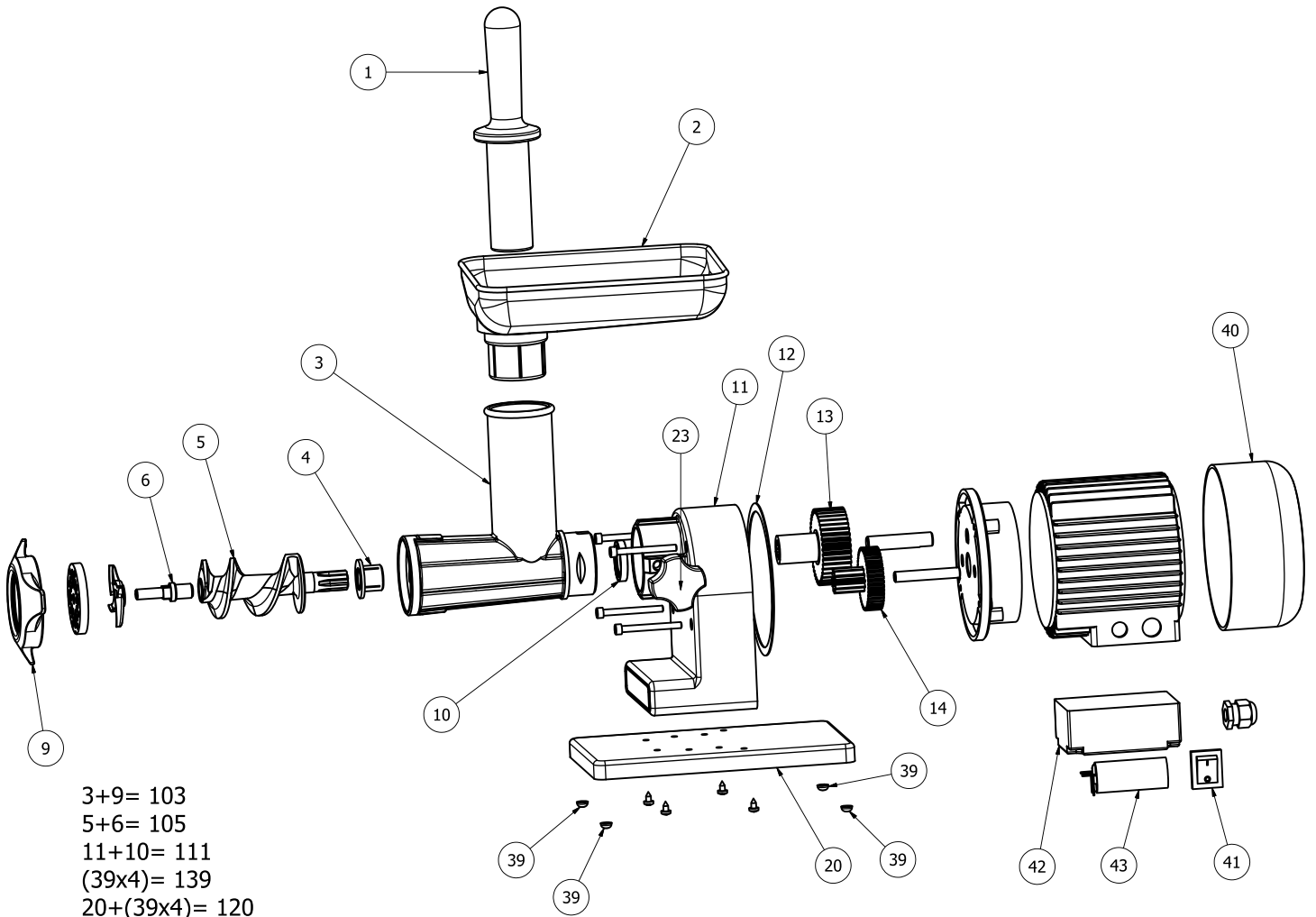


Parts Breakdown

Model MG-IT-0012 41419



Parts Breakdown

Model MG-IT-0012 41419

Item No.	Description	Position	Item No.	Description	Position	Item No.	Description	Position
15241	Plunger for 41419	1	19151	Large Gear for 41419	13	67467	Body with Screw Ring for 41419	103
20266	Hopper for 41419	2	45893	Small Gear 12 Teeth / 60 Teeth for 41419	14	15248	Worm for 41419	105
15250	Plastic Hopper for 41419	2	67471	Stainless Steel Motor Cover for 41419	19	15255	Housing for 41419	111
15245	Bushing for 41419	4	15246	Knob for 41419	23	67473	Base and 4 Feet Set for 41419	120
67468	Worm Pin for 41419	6	64286	Motor Fan Cover for 41419	40	67472	4 Feet Set for 41419	139
17783	Cylinder Ring Worm for 41419	9	67462	Switch 110V/60Hz for 41419	41	64285	Motor Fan for 41419	
27660	Sealing Ring for 41419	10	67470	Switch Box for 41419	42	61430	Motor Reductor for 41419	
27663	Motor Reducer Gasket for 41419	12	67463	Capacitor 110V/60Hz for 41419	43			