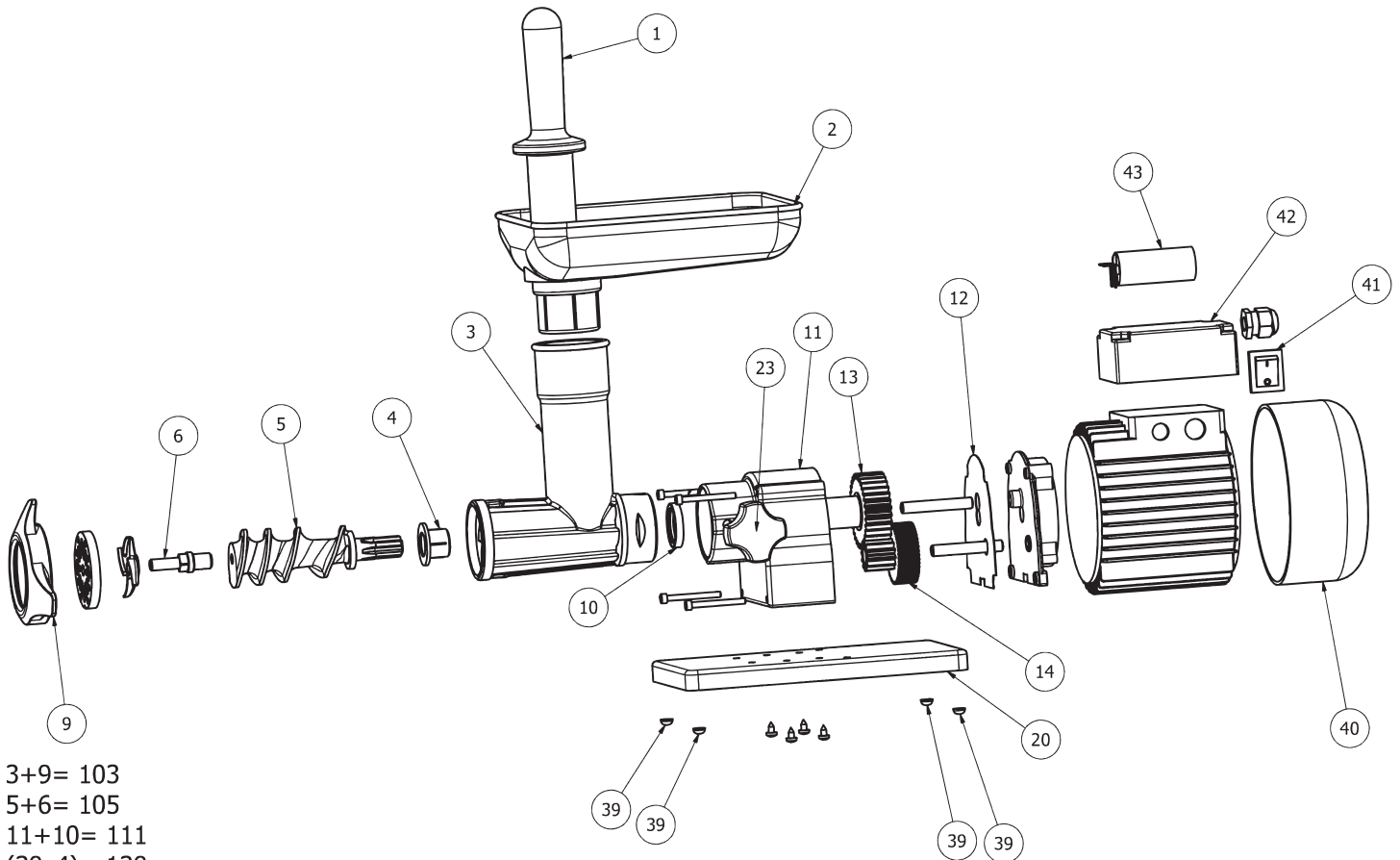


Parts Breakdown

Model MG-CN-0008 11029



$3+9= 103$
 $5+6= 105$
 $11+10= 111$
 $(39 \times 4)= 139$
 $20+(39 \times 4)= 120$

Parts Breakdown

Model MG-CN-0008 11029

Item No.	Description	Position	Item No.	Description	Position	Item No.	Description	Position
15241	Plunger for 11029	1	19151	Large Gear for 11029	13	67461	Body with Screw Ring for 11029	103
15250	Plastic Hopper for 11029	2	45893	Small Gear 12 Teeth / 60 Teeth for 11029	14	64282	Worm with Pin (Star Connection) for 11029	105
15245	Bushing for 11029	4	15246	Knob for 11029	23	15255	Housing for 11029	111
15249	Worm Pin for 11029	6	64286	Motor Fan Cover for 11029	40	67465	Base and 4 Feet Set for 11029	120
64283	Screw Ring for 11029	9	77465	Switch 220V for 11029	41	67464	4 Feet Set for 11029	139
27660	Sealing Ring for 11029	10	77466	Switch Box for 11029	42	64285	Motor Fan for 11029	
27663	Motor Reducer Gasket for 11029	12	69327	Capacitor 110V/60Hz for 11029	43			