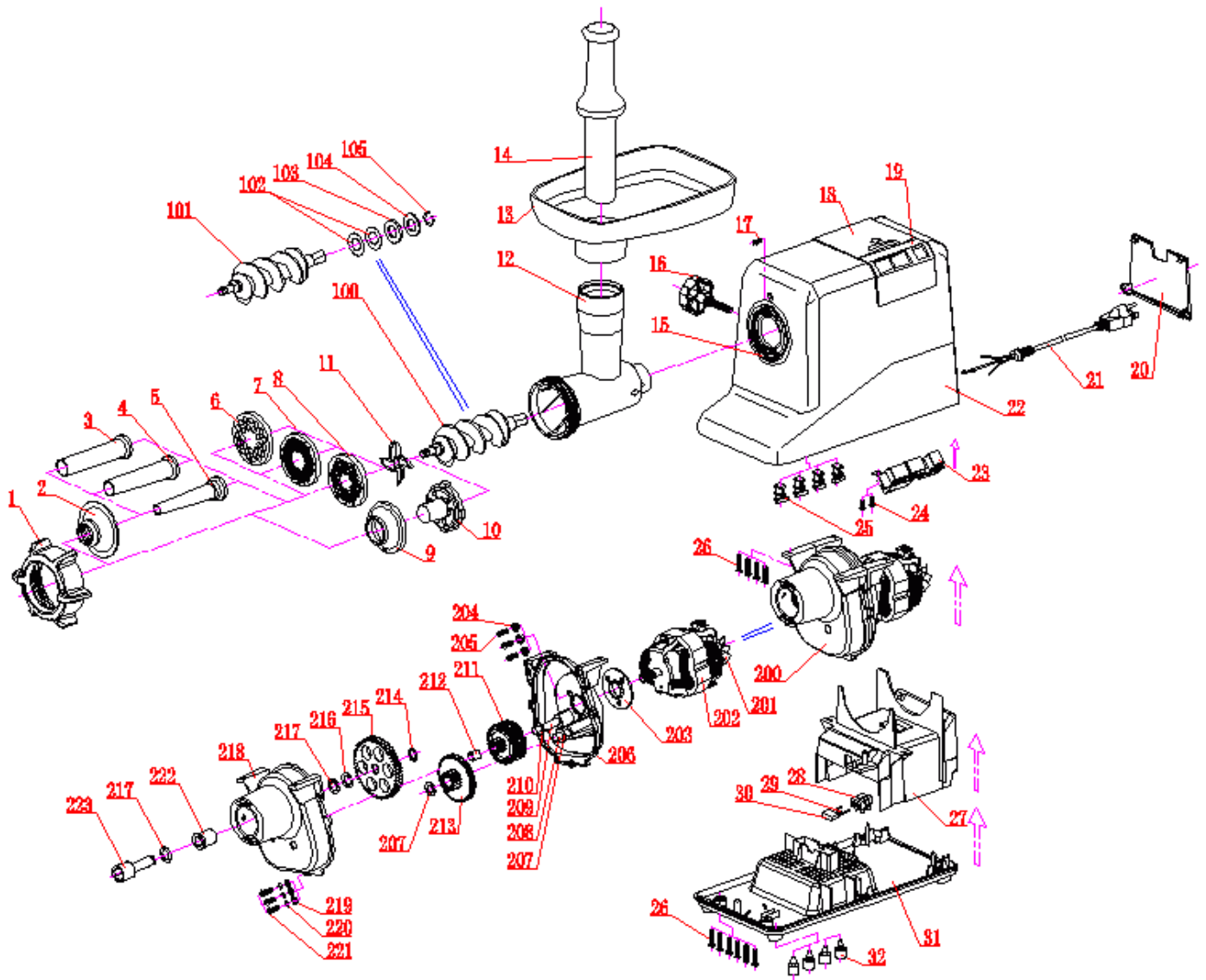


Parts Breakdown

Model MG-CN-0010 21640



Parts Breakdown

Model MG-CN-0010 21640

| Item No. | Description | Position | Item No. | Description | Position | Item No. | Description | Position |
|----------|----------------------------------|----------|----------|---|----------|----------|--------------------------------------|----------|
| 19992 | Cap for 21640 | 1 | 27145 | Bolt Seat for 21640 | 25 | 42203 | Back-Gearbox for 21640 | 206 |
| 20049 | Stuffer Tubes Kit for 21640 | 2 - 5 | 42187 | Self-Tap Bolt 4x20 for 21640 | 26 | 42204 | Washer 10x0.5 for 21640 | 207 |
| 19990 | Cutting Plate (Coarse) for 21640 | 6 | 42188 | Cord Compartment for 21640 | 27 | 39877 | 10 Shaft for 21640 | 208 |
| 19988 | Cutting Plate (Fine) for 21640 | 7 | 42189 | Terminal Block PA10 (Only for G50-EMC) for 21640 | 28 | 39878 | 8 Shaft for 21640 | 209 |
| 19989 | Cutting Plate (Medium) for 21640 | 8 | 42190 | Resistance 1MΩ.25W (Only for G50-EMC) for 21640 | 29 | 39879 | Washer 8x0.5 for 21640 | 210 |
| 19991 | Kubbe Attachment Kit for 21640 | 9 - 10 | 42191 | Capacitance 0.22μF (Only for G50-EMC) for 21640 | 30 | 24557 | Bevel Wheel for 21640 | 211 |
| 19987 | Cutting Blade for 21640 | 11 | 42192 | Bottom Board for 21640 | 31 | 39880 | Sleeve for 21640 | 212 |
| 19985 | Head for 21640 | 12 | 27146 | Rubber Underlay for 21640 | 32 | 24558 | Coupled Gear for 21640 | 213 |
| 19984 | Hopper Plate for 21640 | 13 | 19986 | Feed Screw Assembly for 21640 | 100 | 42205 | Spring Ring 12 for 21640 | 214 |
| 19983 | Food Pusher for 21640 | 14 | 42769 | Feed Screw for 21640 | 101 | 27171 | 52 Gear Wheel for 21640 | 215 |
| 19982 | Opening for 21640 | 15 | 42193 | Washer 16x0.2 for 21640 | 102 | 42206 | Washer 12x0.5 for 21640 | 216 |
| 19980 | Locking Knob for 21640 | 16 | 42194 | POM Washer for 21640 | 103 | 42207 | Washer 12x0.2 for 21640 | 217 |
| 42184 | Self-Tap Bolt 4x10-VCr for 21640 | 17 | 42195 | Washer 16x1.5 for 21640 | 104 | 42208 | Fore-Gearbox for 21640 | 218 |
| 27144 | Cover for 21640 | 18 | 42196 | Wire Loop for 21640 | 105 | 42209 | Washer 5 for 21640 | 219 |
| 27178 | Switch Panel for 21640 | 19 | 42197 | Gearbox Assembly for 21640 | 200 | 42210 | Spring Washer 5 for 21640 | 220 |
| 42172 | Cord Compartment Cover for 21640 | 20 | 42198 | Fan for 21640 | 201 | 42211 | Bolt M5x12 for 21640 | 221 |
| 31607 | Supply Cord for 21640 | 21 | 42199 | Motor for 21640 | 202 | 42212 | 12 Bushing for 21640 | 222 |
| 19981 | Motor Housing for 21640 | 22 | 42200 | Quakeproof Washer for 21640 | 203 | 42213 | 13 Shaft for 21640 | 223 |
| 19979 | Switch for 21640 | 23 | 42201 | Insulated Washer for 21640 | 204 | 40657 | Power Wire Protection Ring for 21640 | |
| 42186 | Self-Tap Bolt 4x10 for 21640 | 24 | 42202 | Bolt M5x12 for 21640 | 205 | | | |