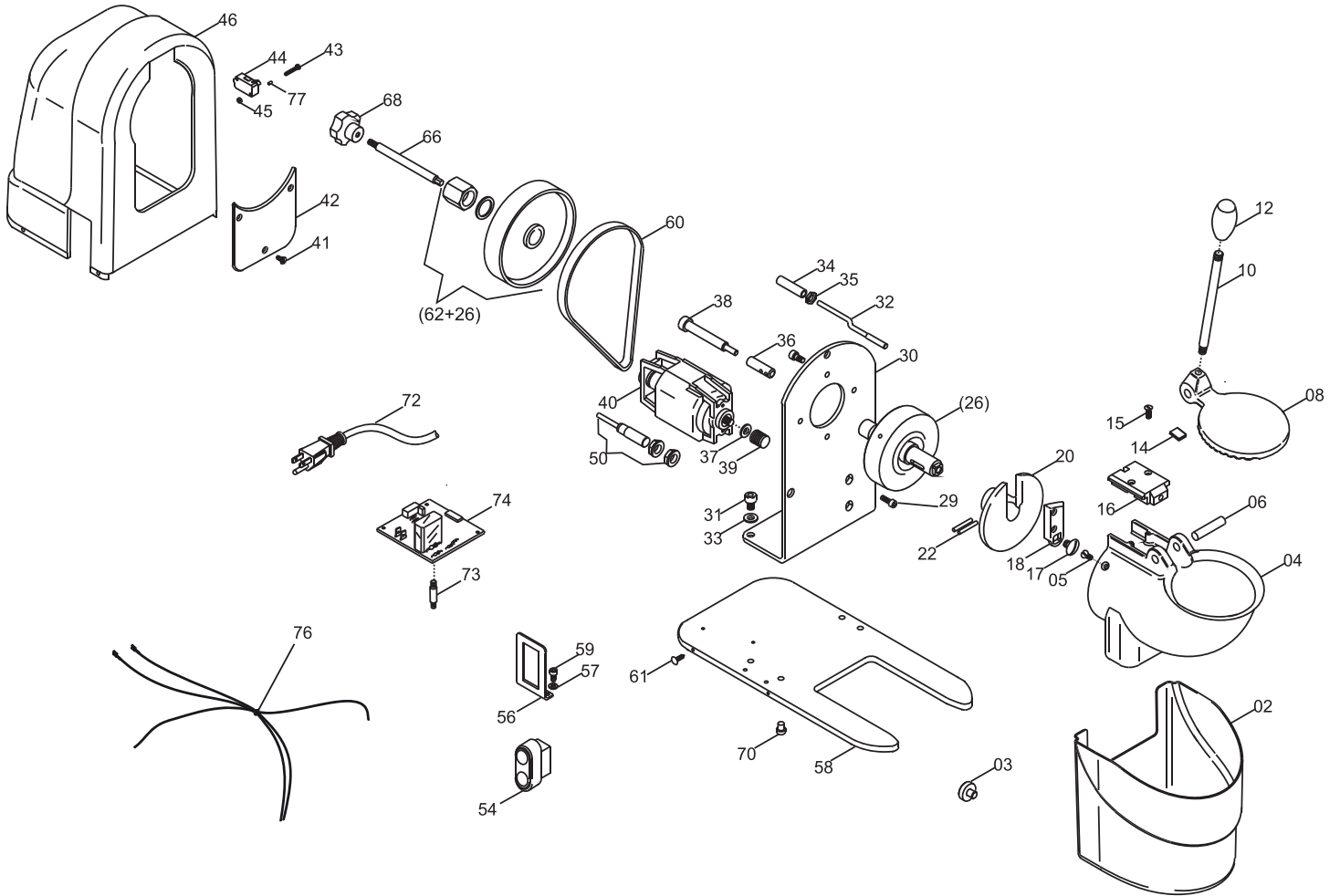


Parts Breakdown

Model IC-IT-0002 17137



Parts Breakdown

Model IC-IT-0002 17137

Item No.	Description	Position	Item No.	Description	Position	Item No.	Description	Position
37378	Grey Container for 17137	02	37361	Opening Microswitch for 17137	32	37371	Container Microswitch for 17137	50
37349	Magnet for 17137	03	37362	Support for Microswitch for 17137	34	76921	On/Off Switch for 17137	54
37350	Coated Opening for 17137	04	37363	Nut for 17137	35	37384	Plate On/Off Switch for 17137	56
37351	Hinge for Opening Cover for 17137	06	37364	Brass Socket for 17137	36	37373	Coated Stand/Base for 17137	58
23650	Mouth Lid for 17137	08	37365	Motor Pulley Washer for 17137	37	21848	Belt for 17137	60
23651	Knob Rod for 17137	10	37366	Screw for 17137	38	37374	Pulley Disc Flange Assy for 17137	62+26
23652	Pusher Knob for 17137	12	37367	Motor Pulley for 17137	39	39314	Blade Adj. Rod for 17137	66
37352	Magnet for Opening for 17137	14	67015	Motor 115V/60Hz for 17137	40	23657	Blade Adjusting Knob for 17137	68
37353	Microswitch Support for 17137	16	37369	Cover for 17137	42	37376	Foot for 17137	70
37354	Left Fixing Screw of Blade for 17137	17	67016	Zinc Screw M3x30 for 17137	43	67018	US Power Cord for 17137	72
23659	Stainless Steel Blade for 17137	18	23653	Microswitch for 17137	44	37377	Distance Piece for 17137	73
37355	Blade Disc for 17137	20	67017	Nut M3 for 17137	45	23658	Circuit Board 110V for 17137	74
76919	Stainless Steel Plug D4x3.5 for 17137	22	37380	Grey Frame for 17137	46	67019	Internal Wires for 17137	76
37360	Motor Plate for 17137	30	37370	Strain Relief PVC Dia. 7 for 17137	48	67020	Spacer for 17137	77