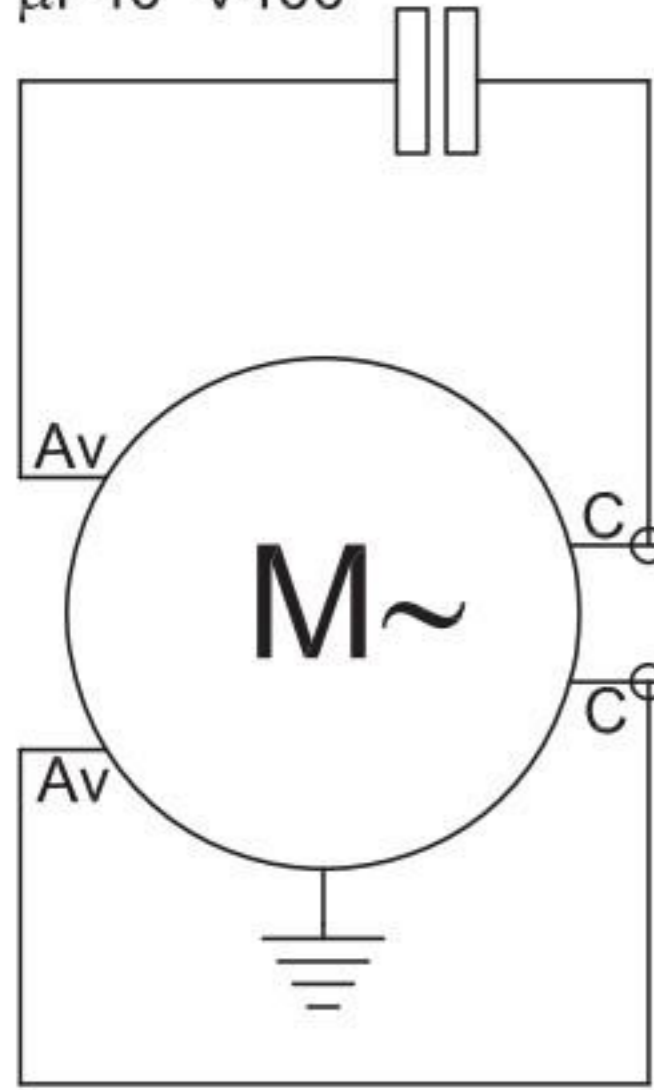
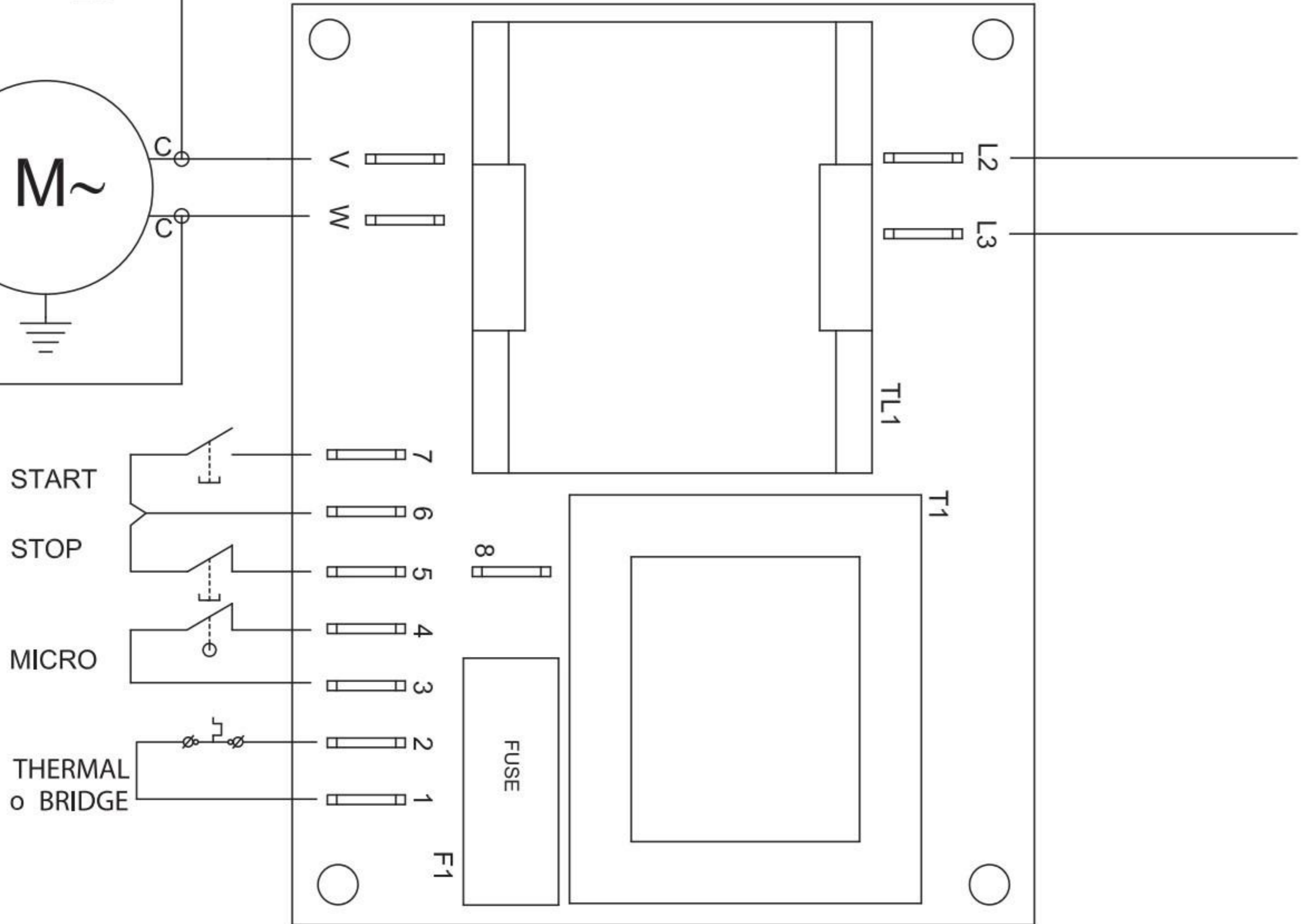


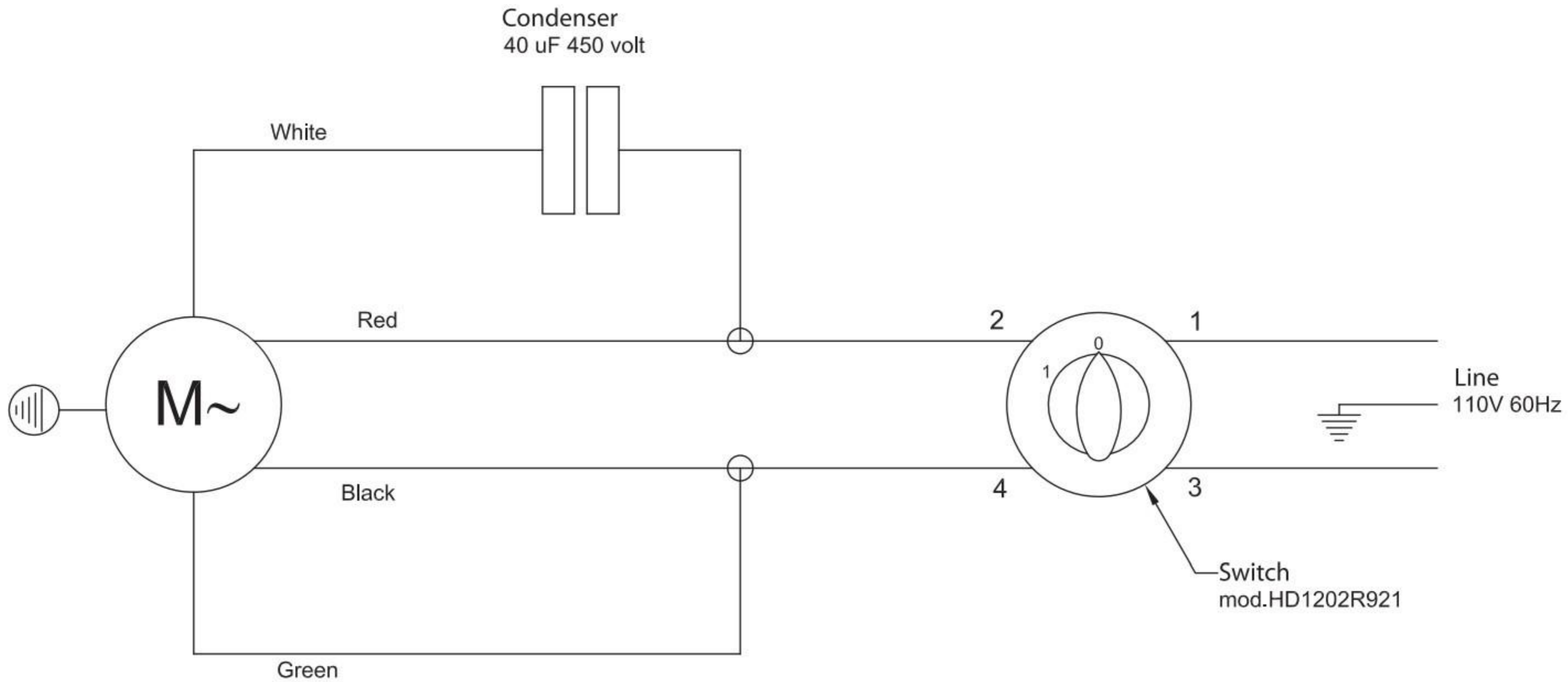
CONDENSER  
 $\mu\text{F}40 \text{ V}400$

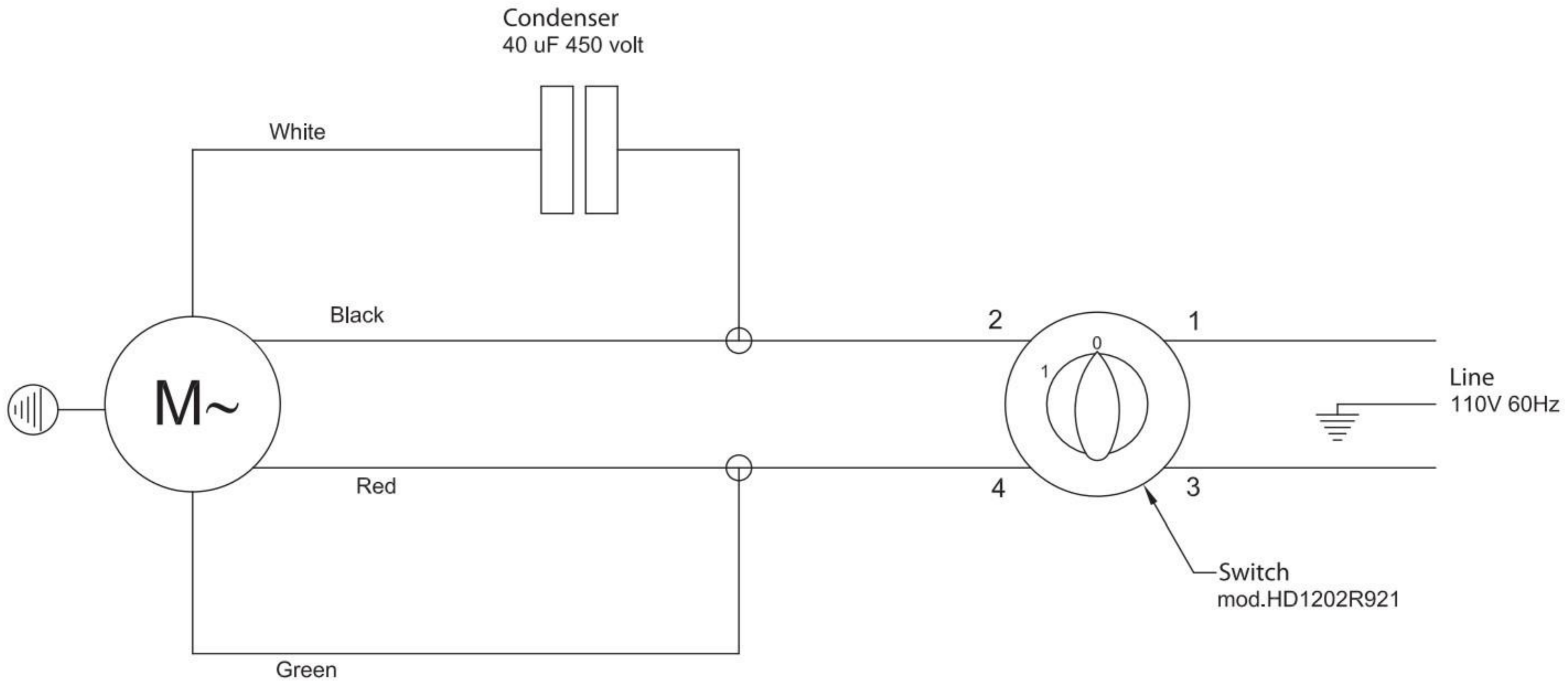


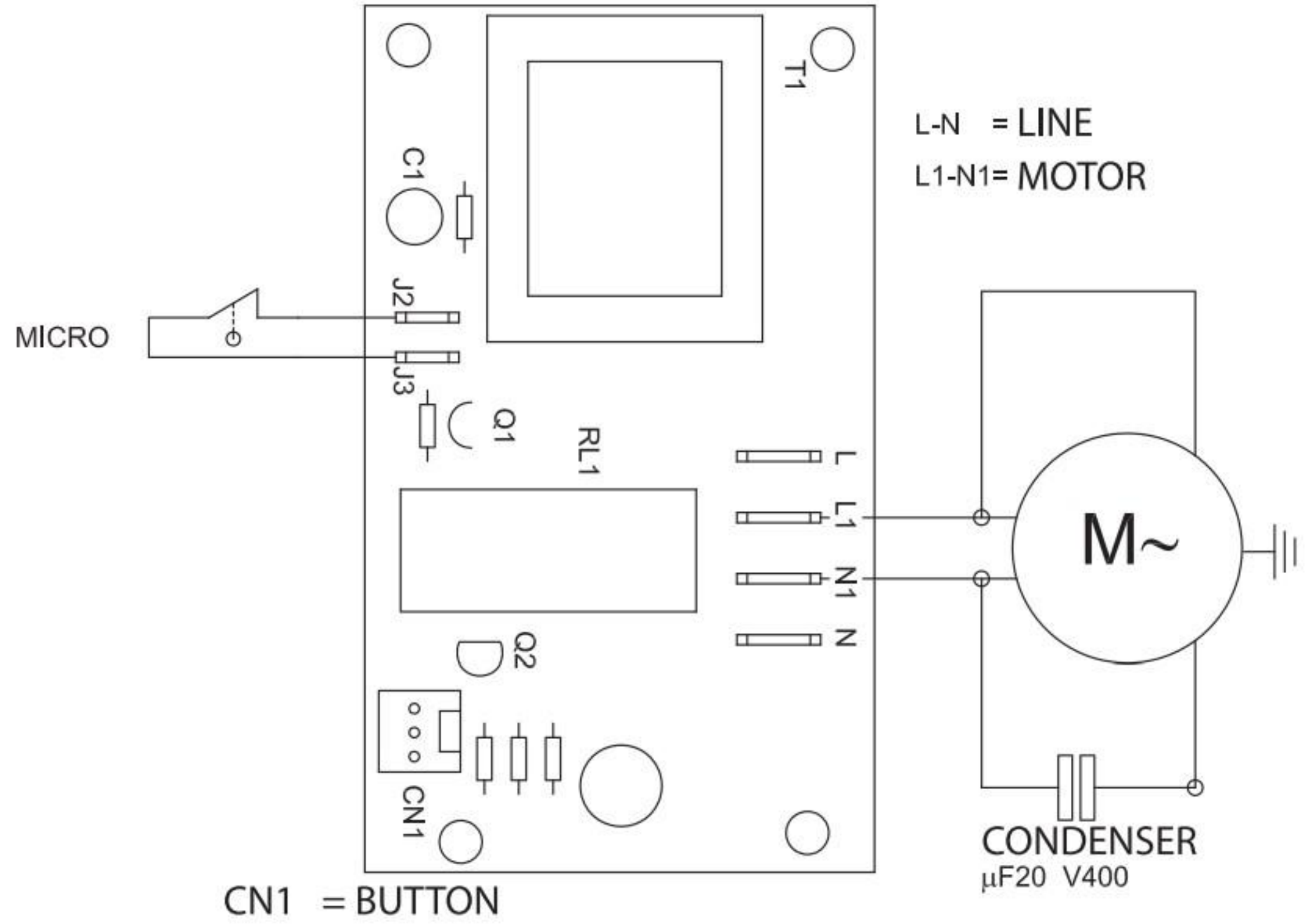
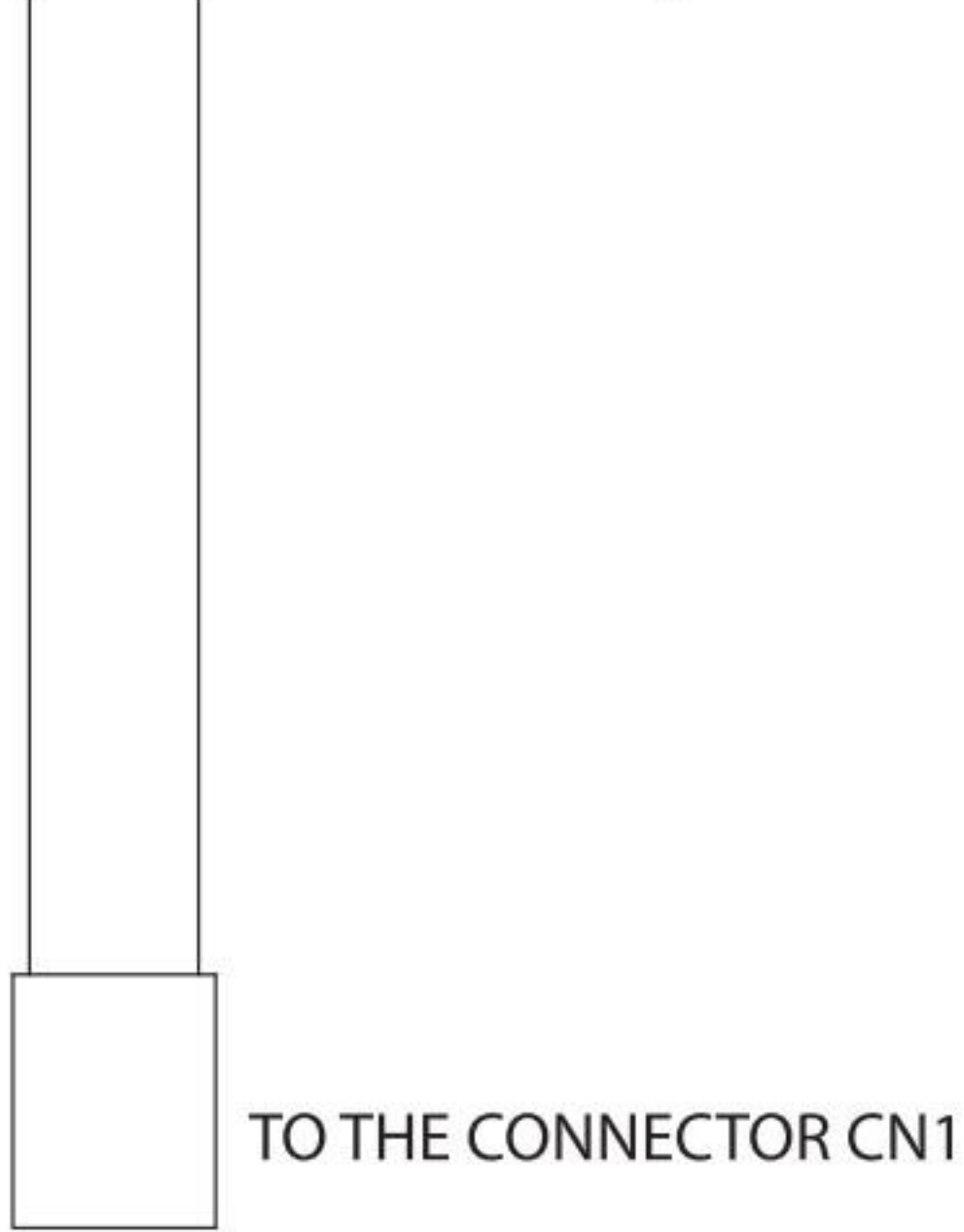
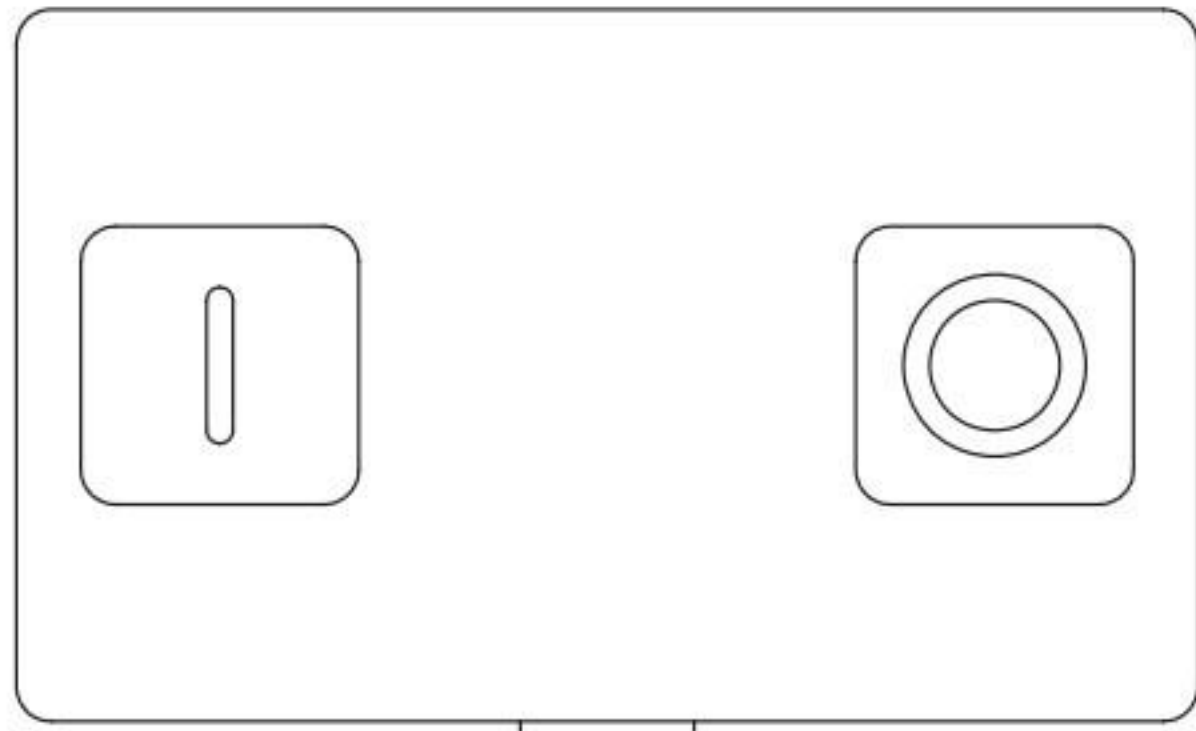
V-W = MOTOR

L2-L3 = LINE

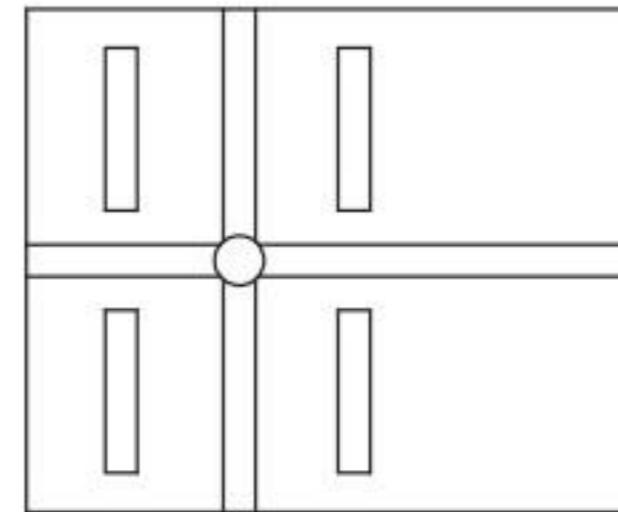






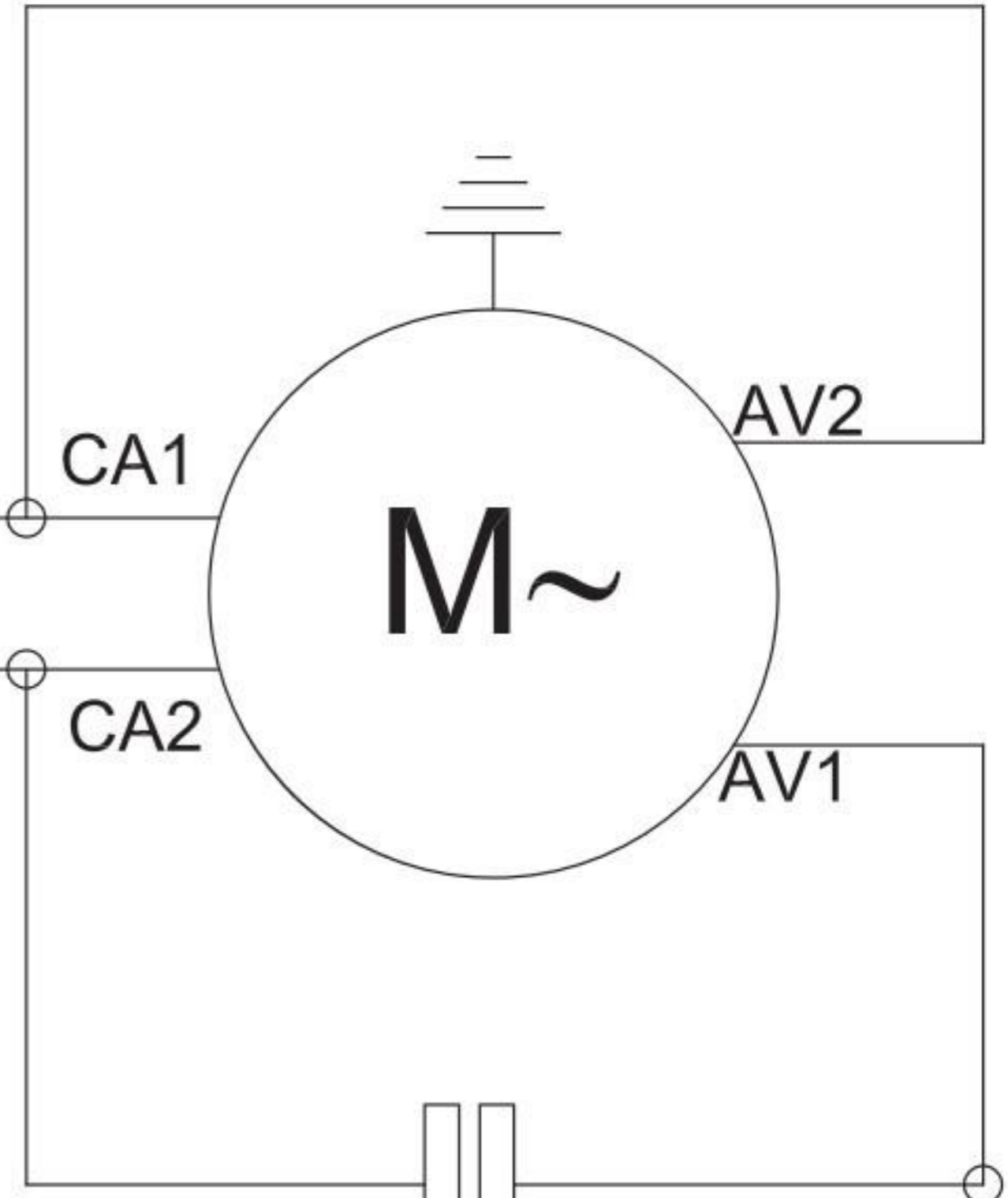
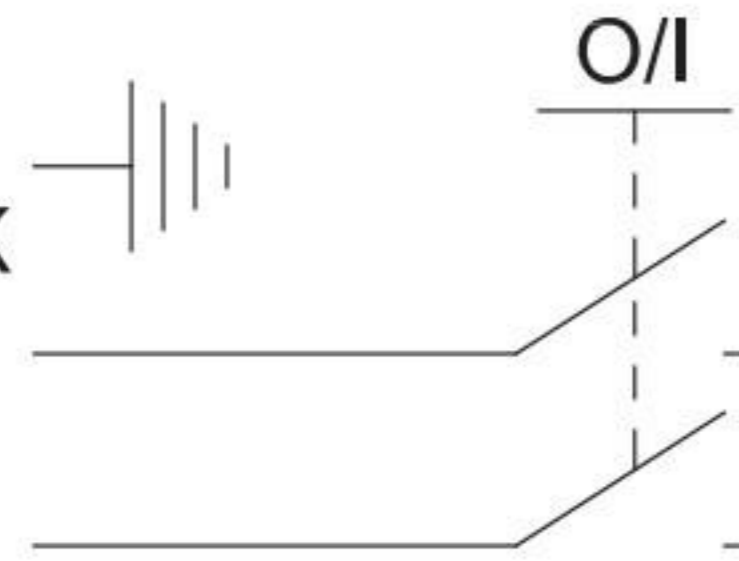


NETWORK  
110V  
60Hz



MOTOR

NETWORK  
110V  
60Hz



- AV1 = WHITE
- AV2 = LIGHT BLUE
- CA1 = BLACK
- CA2 = RED

CONDENSER  
 $\mu$ F20 V400