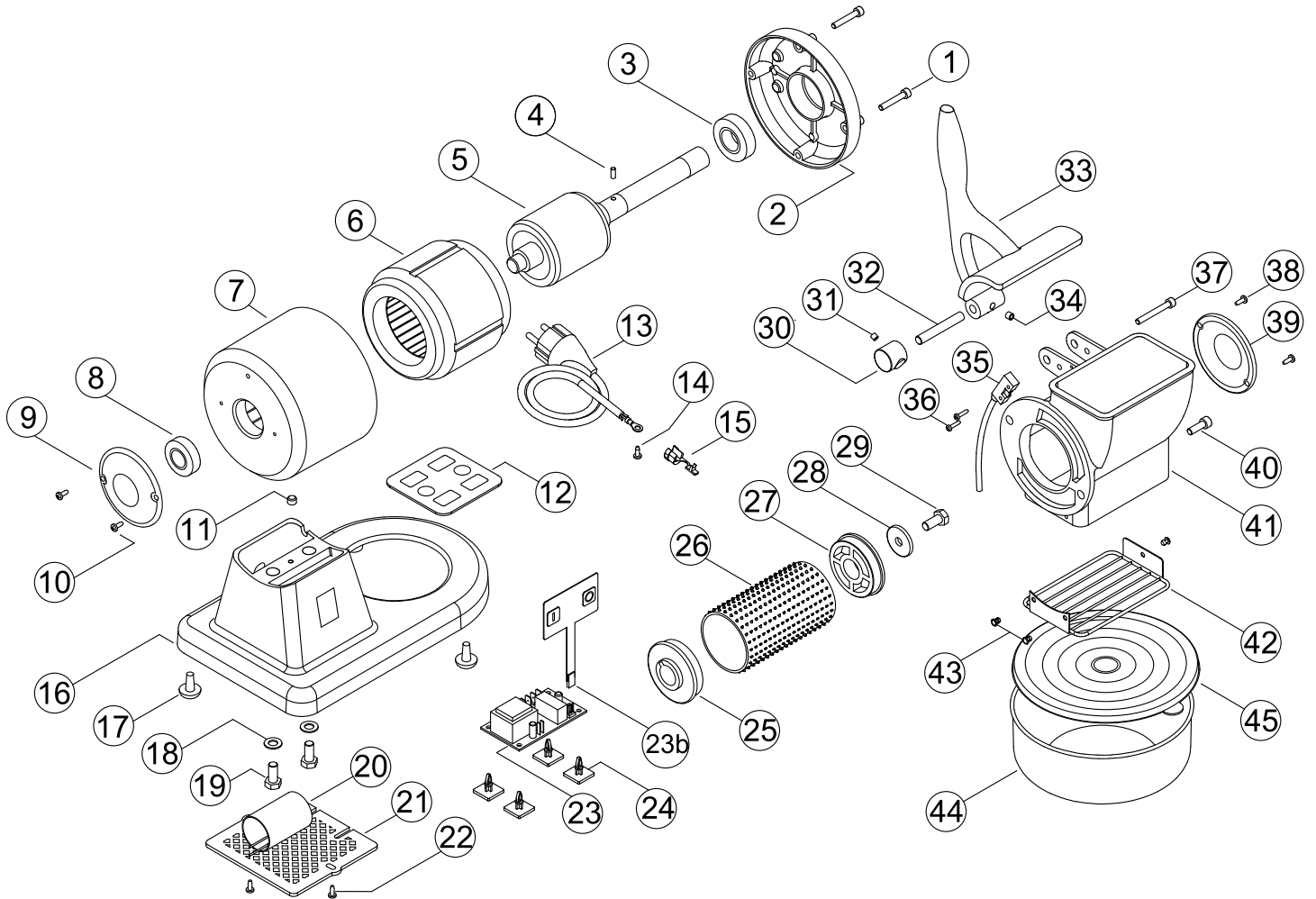


# Parts Breakdown

Model GR-IT-0373-M 21719



# Parts Breakdown

## Model GR-IT-0373-M 21719

Item No.	Description	Position	Item No.	Description	Position	Item No.	Description	Position
15372	Screw 5x25 for 21719	1	42904	Rubber Foot for 21719	17	AD416	Pin DA 8x60 for 21719	32
15373	Motor Cover - Front for 21719	2	70181	Washer 8x16x1.5 for 21719	18	15368	Handle for 21719	33
15354	Bearing 6004 ZZ for 21719	3	15363	Screw 8x20 for 21719	19	68924	Bead 6x6 for 21719	34
15374	Key Lock 4x10 for 21719	4	64612	20 uF Capacitor (kg.10) for 21719	20	AD417	Magnetic Microswitch for 21719	35
15375	Rotor with Drive Shaft for 21719	5	15376	Rubber Base Cover for 21719	21	AD418	Screw DA 2.9x12 for 21719	36
15466	Stator 110V/60Hz for 21719	6	78001	Screw 3.5x9.5 for 21719	22	AD419	Screw DA 5x40 for 21719	37
15355	Base Cover for 21719	7	43940	Circuit Board for 21719	23	78001	Screw 3.5x9.5 for 21719	38
15379	Bearing 6202 ZZ for 21719	8	AC176	Touch Pad Digital for 21719	23b	15352	Disc Locking ABS DA 80mm for 21719	39
15352	Disc Locking ABS DA 80mm for 21719	9	15357	Base Guard for 21719	24	15367	Screw 6x12 for 21719	40
78001	Screw 3.5x9.5 for 21719	10	15366	Drum Cover - Back for 21719	25	15369	Drum Casing for 21719	41
68915	Bead M8x8 for 21719	11	19377	Drum for 21719	26	AD420	Protection Grid for 21719	42
78007	Gasket Base for 21719	12	15365	Drum Cover - Front for 21719	27	15370	Rivet for 21719	43
15467	Cord 110V for 21719	13	15364	Washer 8x32x2 for 21719	28	15371	Pan for 21719	44
78001	Screw 3.5x9.5 for 21719	14	15363	Screw 8x20 for 21719	29	AD414	Lid for Cheese Container for 21719	45
15361	Plug 12 for 21719	15	AD415	Magnet Holder for 21719	30			
15377	Base for 21719	16	72905	Wheat 5x6 for 21719	31			